



US00D934753S

(12) **United States Design Patent** (10) **Patent No.:** **US D934,753 S**  
**Asano** (45) **Date of Patent:** **\*\* Nov. 2, 2021**

(54) **REAR BUMPER FOR AUTOMOBILE**  
(71) Applicant: **Honda Motor Co., Ltd.**, Tokyo (JP)  
(72) Inventor: **Hitomaro Asano**, Wako (JP)  
(73) Assignee: **HONDA MOTOR CO., LTD.**, Tokyo (JP)  
(\*\*) Term: **15 Years**

D824,817 S \* 8/2018 Morikawa ..... D12/169  
D824,818 S \* 8/2018 Morikawa ..... D12/169  
D826,113 S \* 8/2018 Kanai ..... D12/169  
D827,519 S \* 9/2018 Komuro ..... D12/169  
D838,638 S \* 1/2019 Wada ..... D12/169  
D884,916 S \* 5/2020 Dumler ..... D24/215  
D887,915 S \* 6/2020 Davidson ..... D12/169  
D887,916 S \* 6/2020 Toriyama ..... D12/169  
D904,941 S \* 12/2020 Utsunomiya ..... D12/169  
D911,228 S \* 2/2021 Guille ..... D12/169  
D911,230 S \* 2/2021 Wietzychowski ..... D12/169

(21) Appl. No.: **29/734,810**  
(22) Filed: **May 15, 2020**  
(30) **Foreign Application Priority Data**  
Nov. 28, 2019 (JP) ..... 2019-026397  
(51) **LOC (13) Cl.** ..... **12-16**  
(52) **U.S. Cl.**  
USPC ..... **D12/169**  
(58) **Field of Classification Search**  
USPC ..... D12/169, 163, 196, 86, 90-92;  
296/180.1, 180.2; 293/102, 113, 115,  
293/117, 120  
CPC .... B60R 19/52; B60R 2019/25; B62D 25/084  
See application file for complete search history.

\* cited by examiner

*Primary Examiner* — Melody N Brown  
(74) *Attorney, Agent, or Firm* — Plumsea Law Group, LLC

(56) **References Cited**  
U.S. PATENT DOCUMENTS  
D823,194 S \* 7/2018 Gueler ..... D12/169  
D824,300 S \* 7/2018 Badstuebner ..... D12/169

(57) **CLAIM**  
The ornamental design for a rear bumper for automobile, as shown and described.

**DESCRIPTION**  
FIG. 1 is a left, front perspective view of a rear bumper for automobile showing my new design;  
FIG. 2 is a right, rear perspective view thereof;  
FIG. 3 is a front view thereof.  
FIG. 4 is a rear view thereof.  
FIG. 5 is a left side view thereof.  
FIG. 6 is a right side view thereof.  
FIG. 7 is a top view thereof; and,  
FIG. 8 is a bottom view thereof.

**1 Claim, 8 Drawing Sheets**

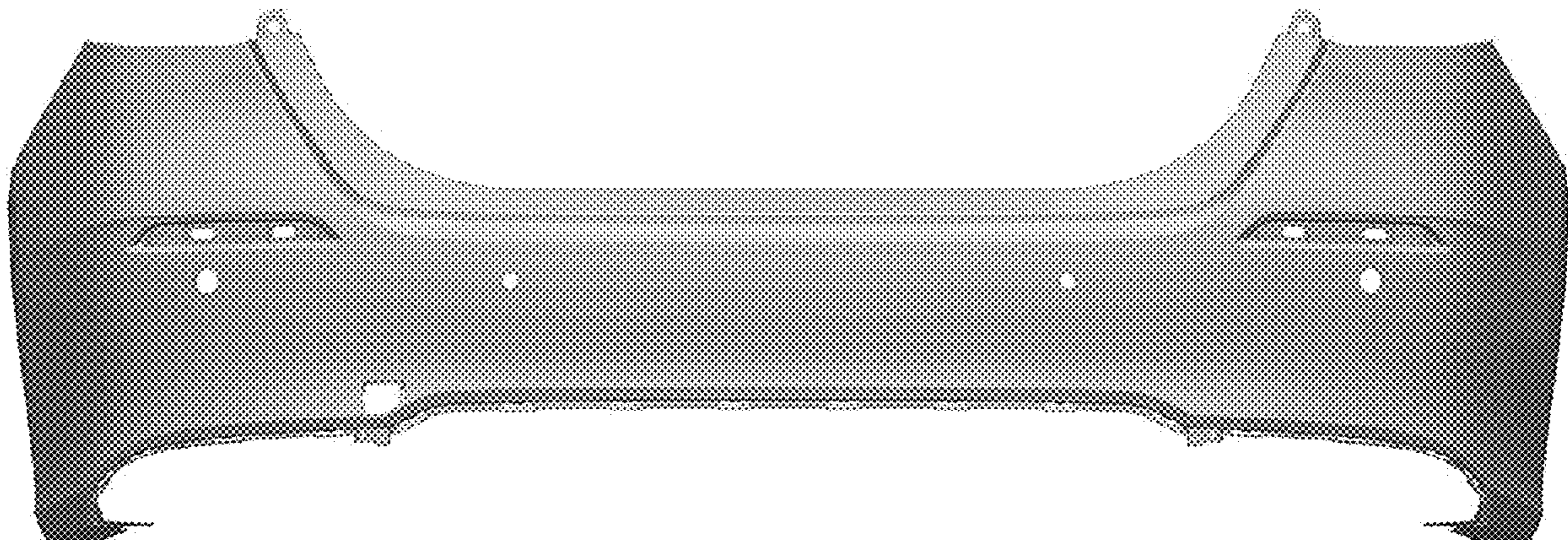


FIG. 1

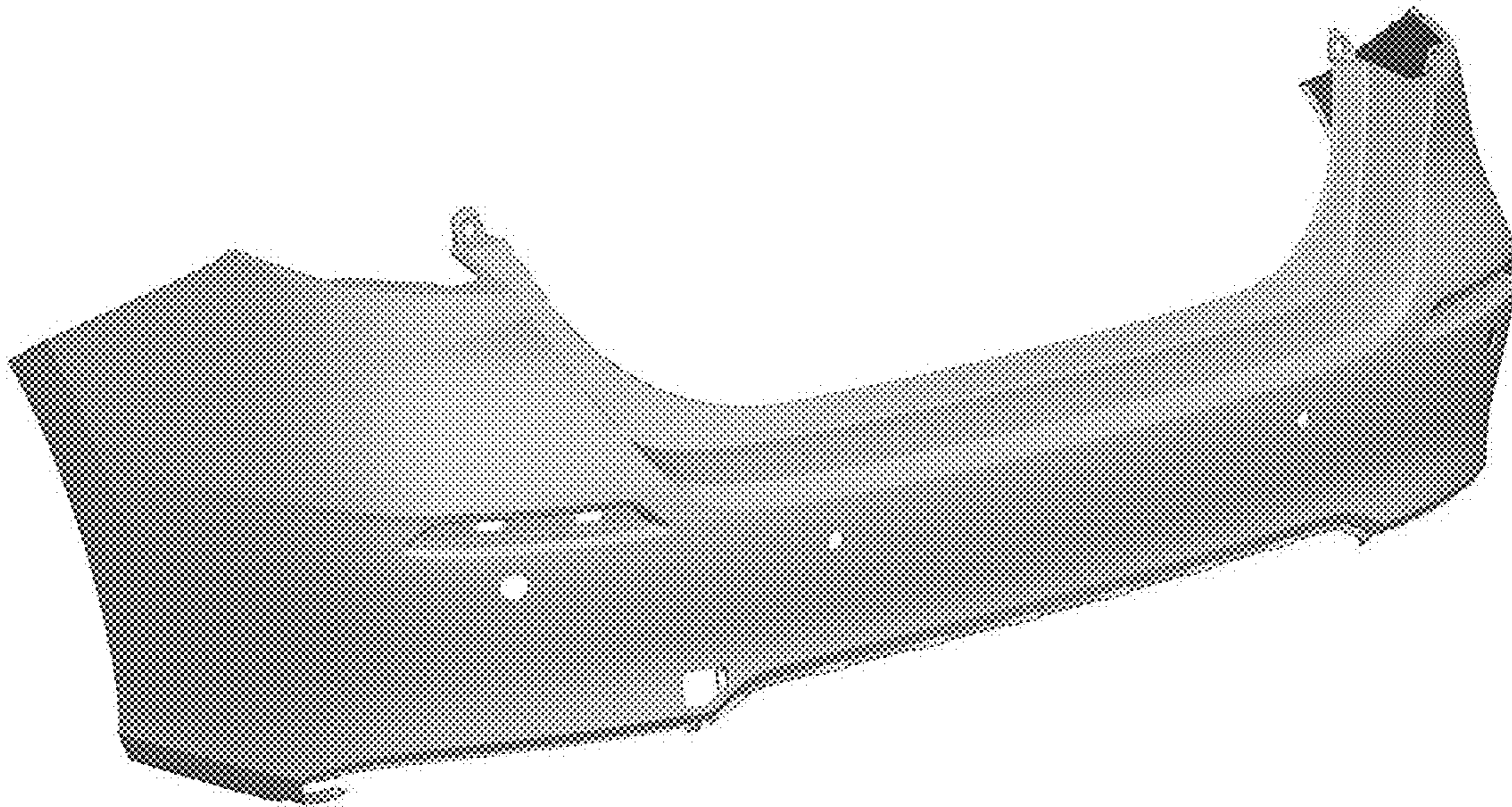


FIG. 2

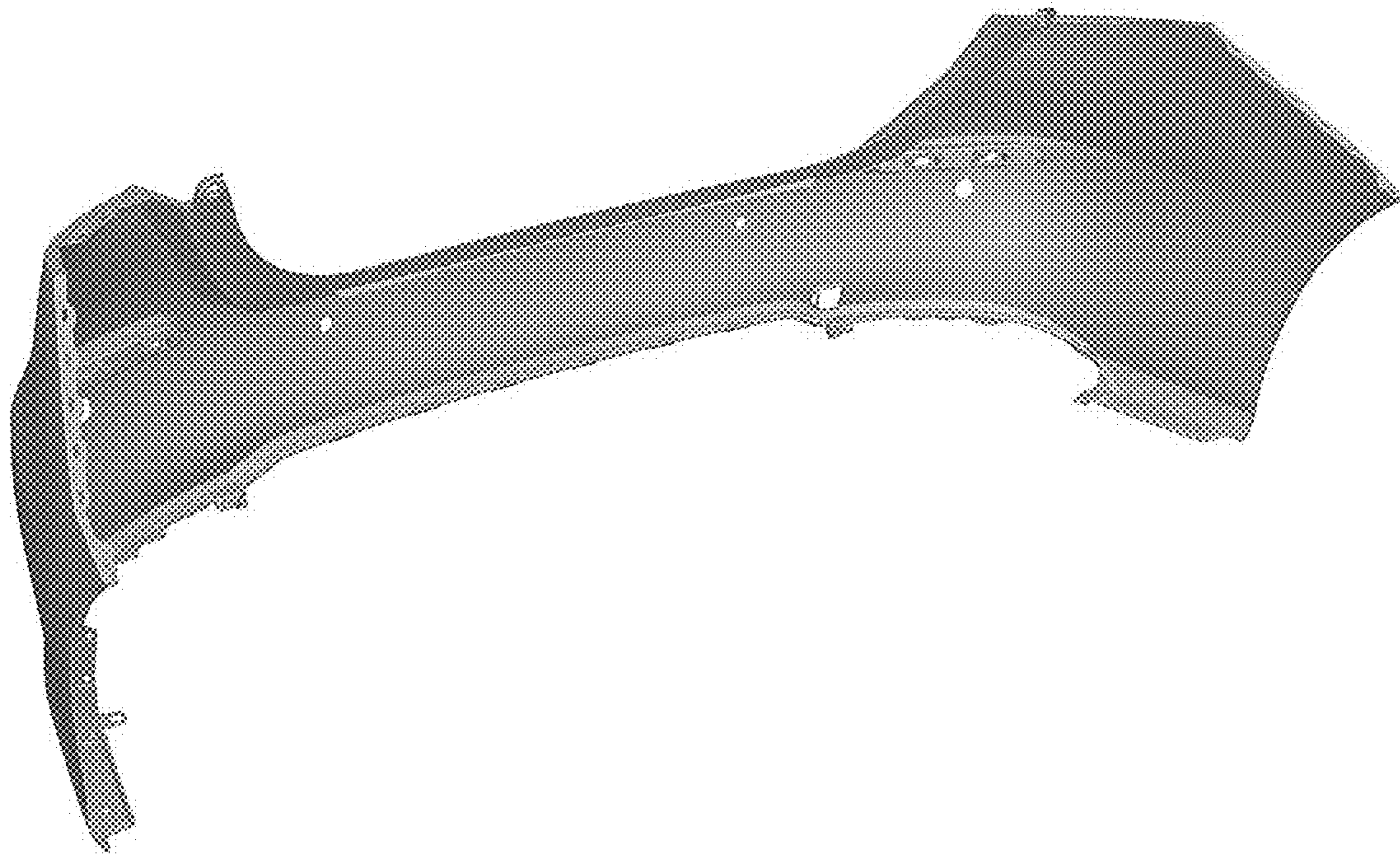


FIG. 3

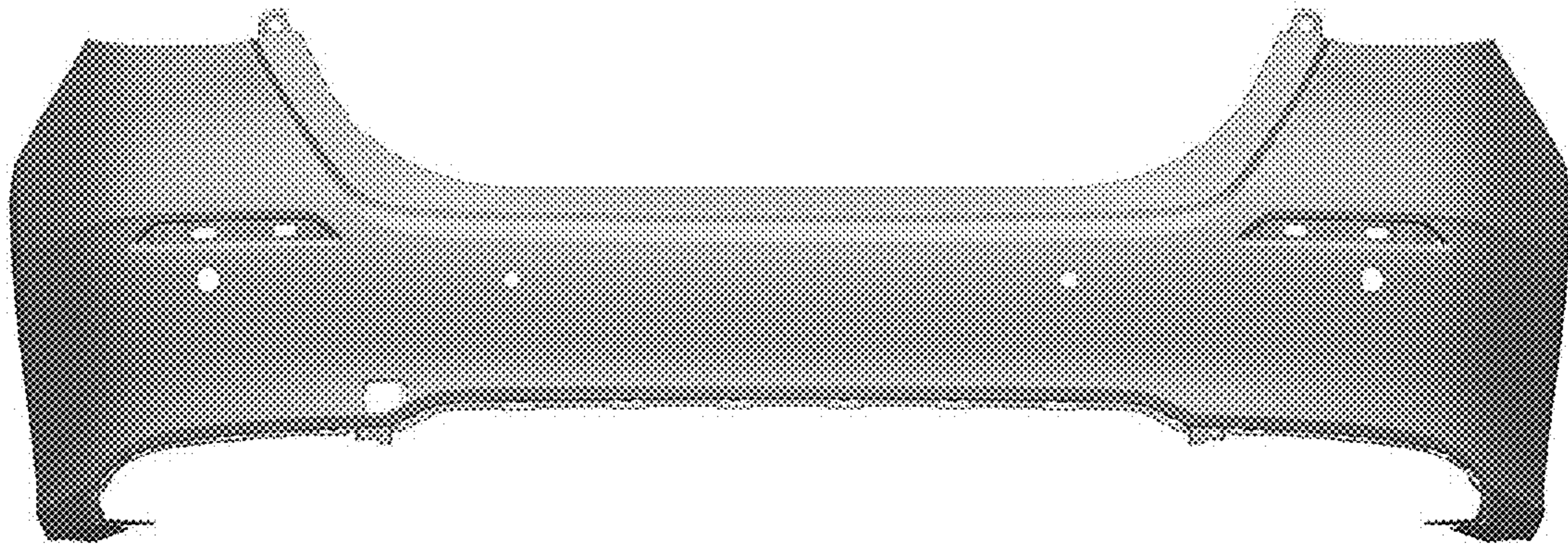


FIG. 4

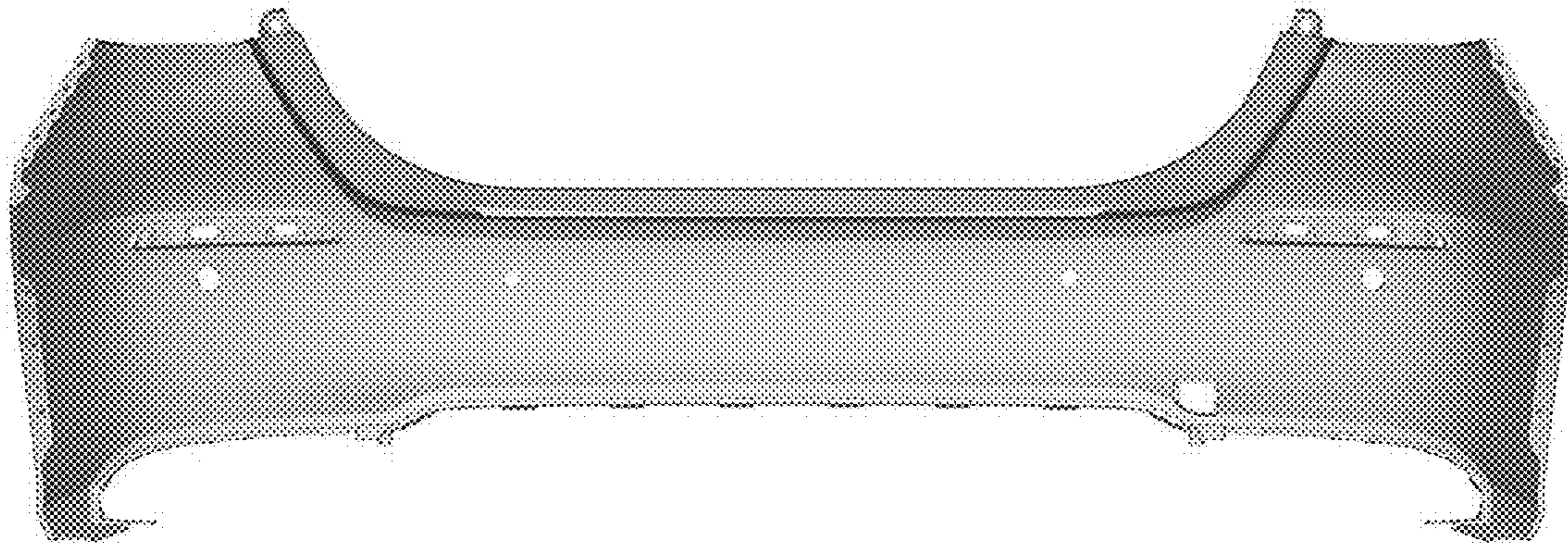


FIG. 5

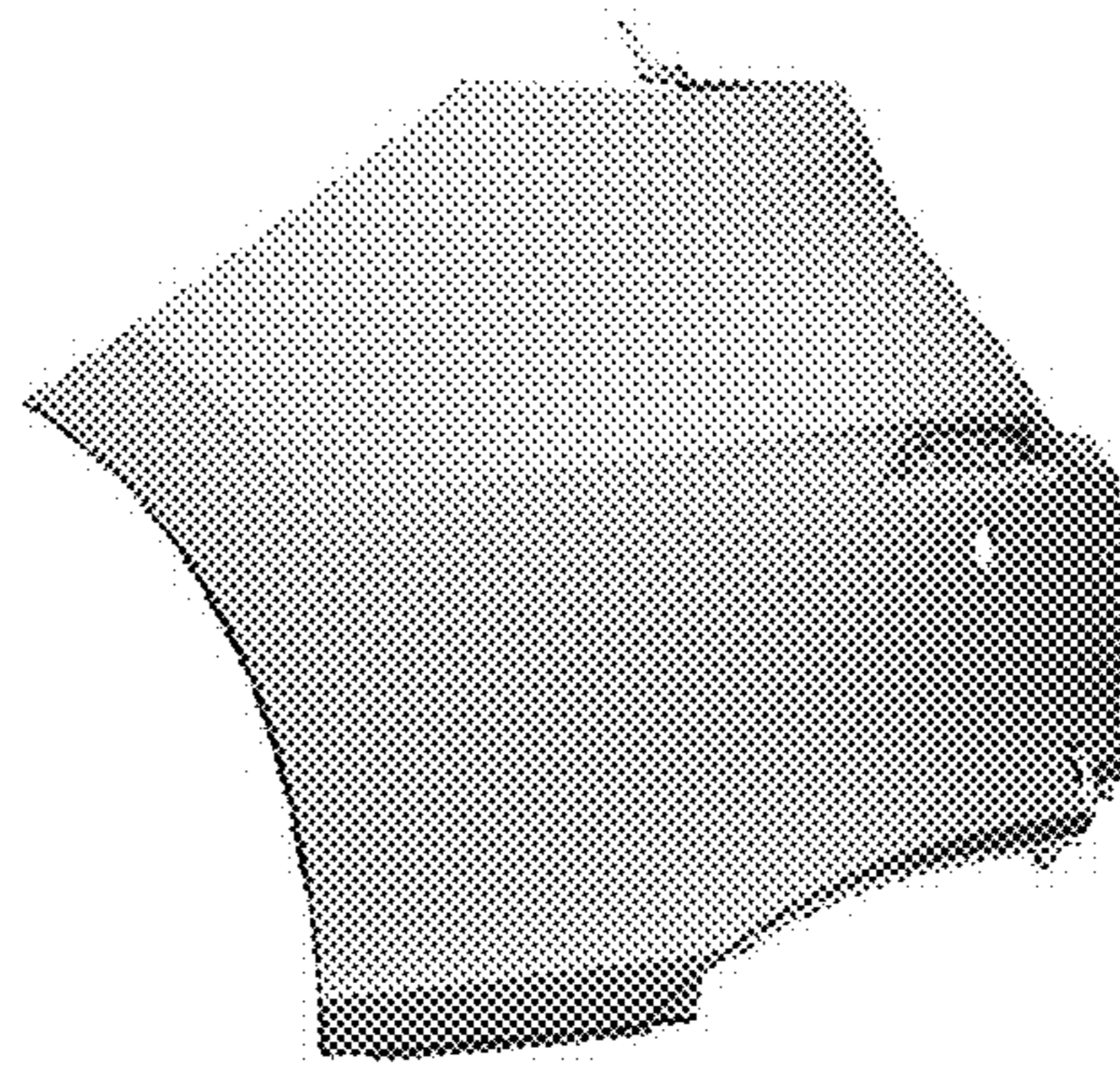


FIG. 6

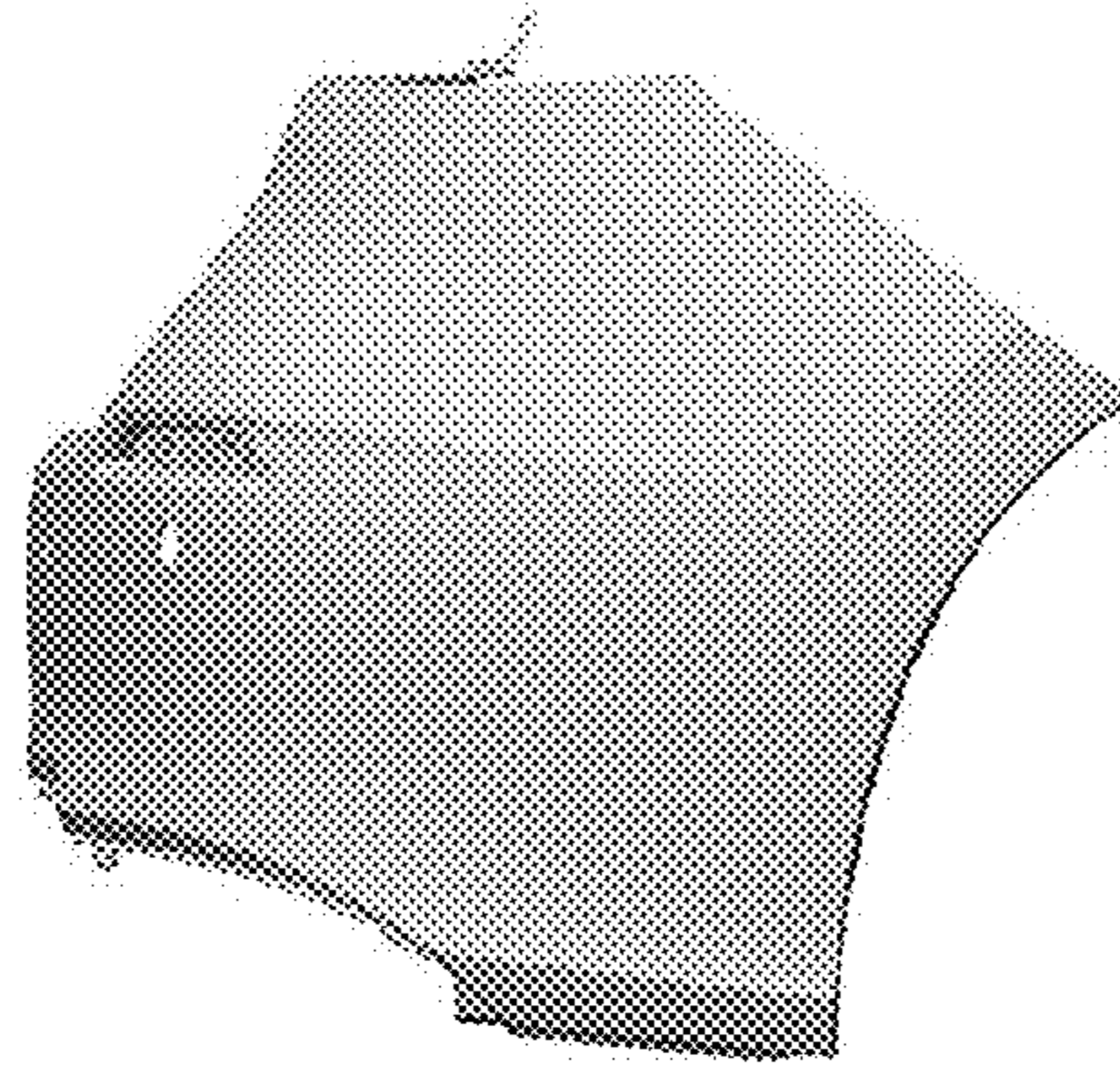


FIG. 7

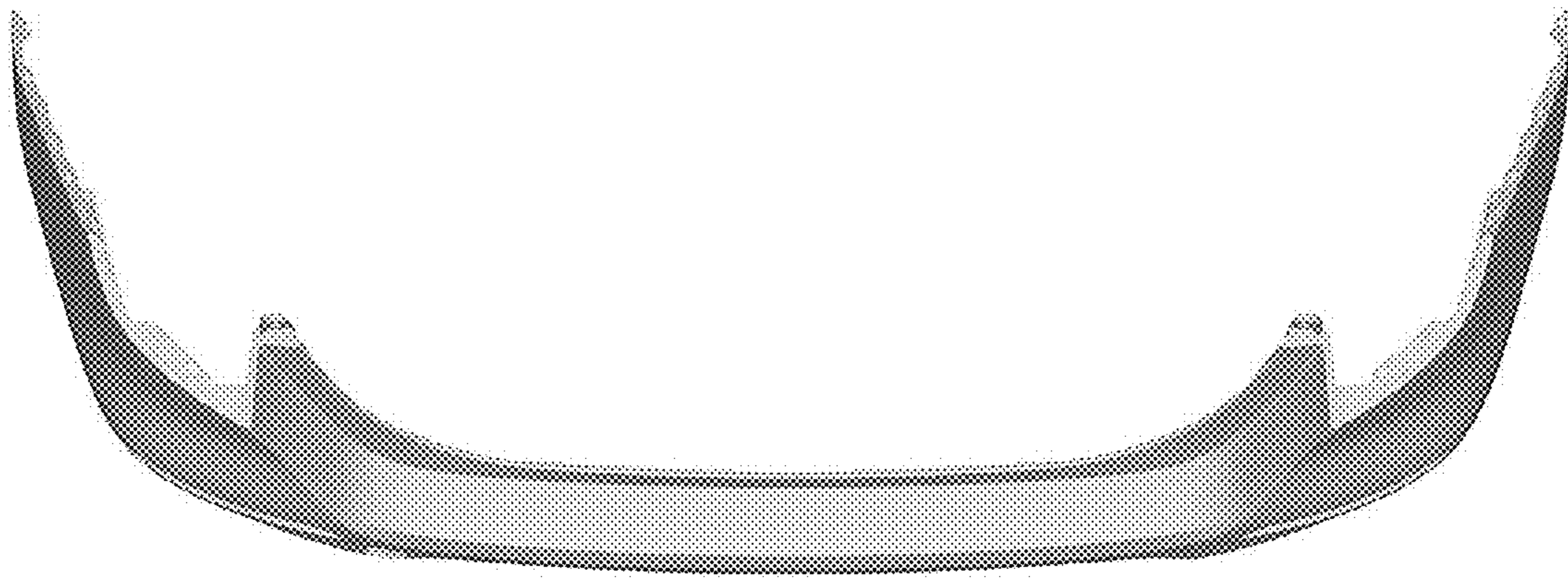




FIG. 8

