



US00D934747S

(12) **United States Design Patent** (10) **Patent No.:** **US D934,747 S**
Utsunomiya et al. (45) **Date of Patent:** **** Nov. 2, 2021**

(54) **FRONT GRILLE FOR AN AUTOMOBILE**
(71) Applicant: **Nissan Motor Co., Ltd.**, Kanagawa (JP)
(72) Inventors: **Takashi Utsunomiya**, Kanagawa (JP); **Kazuki Aoyama**, Kanagawa (JP)
(73) Assignee: **Nissan Motor Co., Ltd.**, Yokohama (JP)

D789,844 S * 6/2017 Sakai D12/163
D809,979 S * 2/2018 Tanaka D12/163
D818,885 S * 5/2018 Seo D12/163
D818,887 S * 5/2018 Choi D12/163
D818,888 S * 5/2018 Koizumi D12/163
D818,891 S * 5/2018 Minamiyama D12/163
D864,801 S * 10/2019 Morita D12/163
D874,988 S * 2/2020 Katou D12/163
D890,636 S * 7/2020 Sanborn D12/162
D916,630 S * 4/2021 Horie D12/163
D917,351 S * 4/2021 Wakabayashi D12/169

(**) Term: **15 Years**

* cited by examiner

(21) Appl. No.: **29/731,423**

Primary Examiner — Melody N Brown

(22) Filed: **Apr. 15, 2020**

(74) *Attorney, Agent, or Firm* — Global IP Counselors, LLP

(30) **Foreign Application Priority Data**

Oct. 16, 2019 (JP) 2019-023105

(51) **LOC (13) Cl.** **12-16**

(52) **U.S. Cl.**
USPC **D12/163**

(58) **Field of Classification Search**
USPC D12/169, 163, 196, 86, 90–92;
296/180.1, 180.2; 293/102, 115, 117,
293/120; 180/68.1, 68.6
CPC B60R 19/52; B60R 2019/25; B62D 25/084
See application file for complete search history.

(57) **CLAIM**

The ornamental design for a front grille for an automobile, as shown and described.

DESCRIPTION

FIG. 1 is a front and right side perspective view of a front grille for an automobile showing our new design; FIG. 2 is a front and left side perspective view thereof; FIG. 3 is a front elevational view; FIG. 4 is a top plan view thereof; FIG. 5 is a right side elevational view thereof; and, FIG. 6 is a left side elevational view thereof.

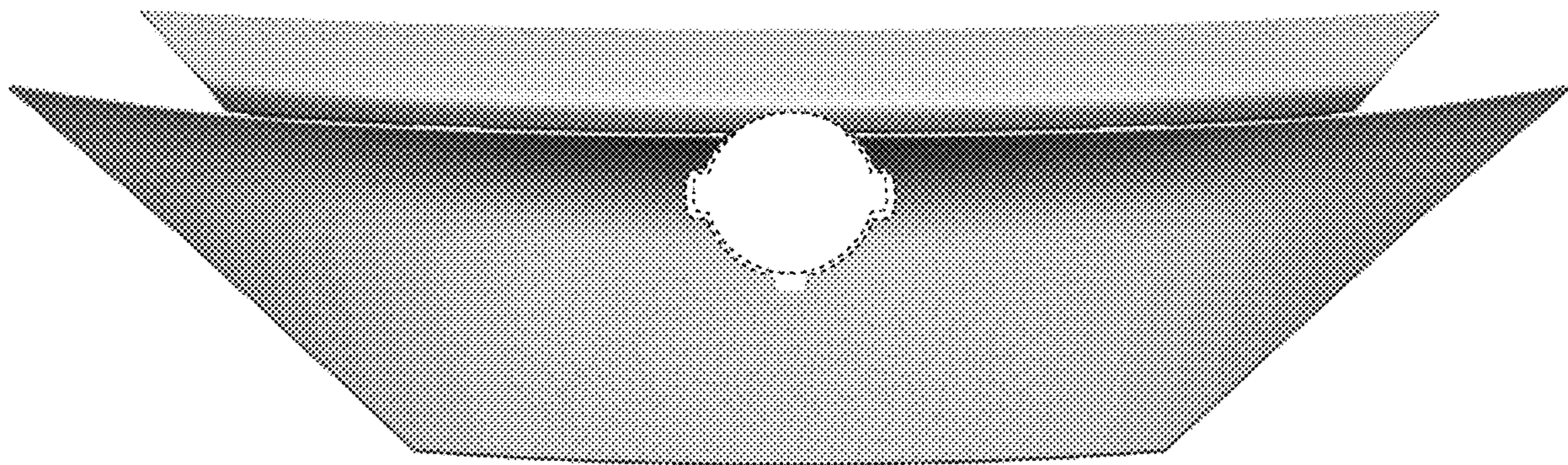
The broken line showing of the front grille for an automobile is for purpose of illustrating environmental structure and forms no part of the claimed design. The rear view and the bottom view of the front grille for an automobile form no part of the claimed design.

(56) **References Cited**

U.S. PATENT DOCUMENTS

D734,693 S * 7/2015 Koizumi D12/163
D774,999 S * 12/2016 Liu D12/163

1 Claim, 6 Drawing Sheets



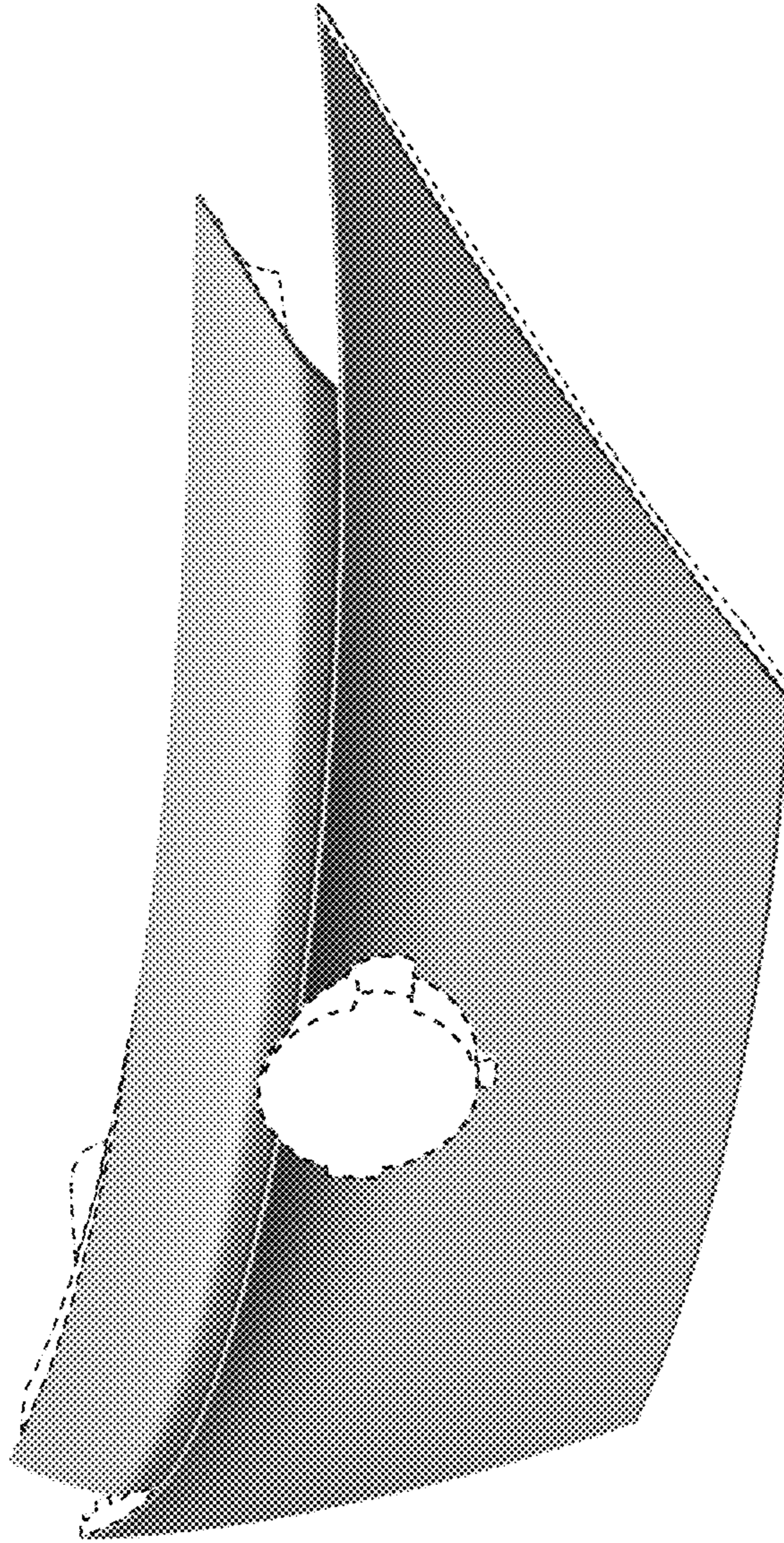


FIG. 1

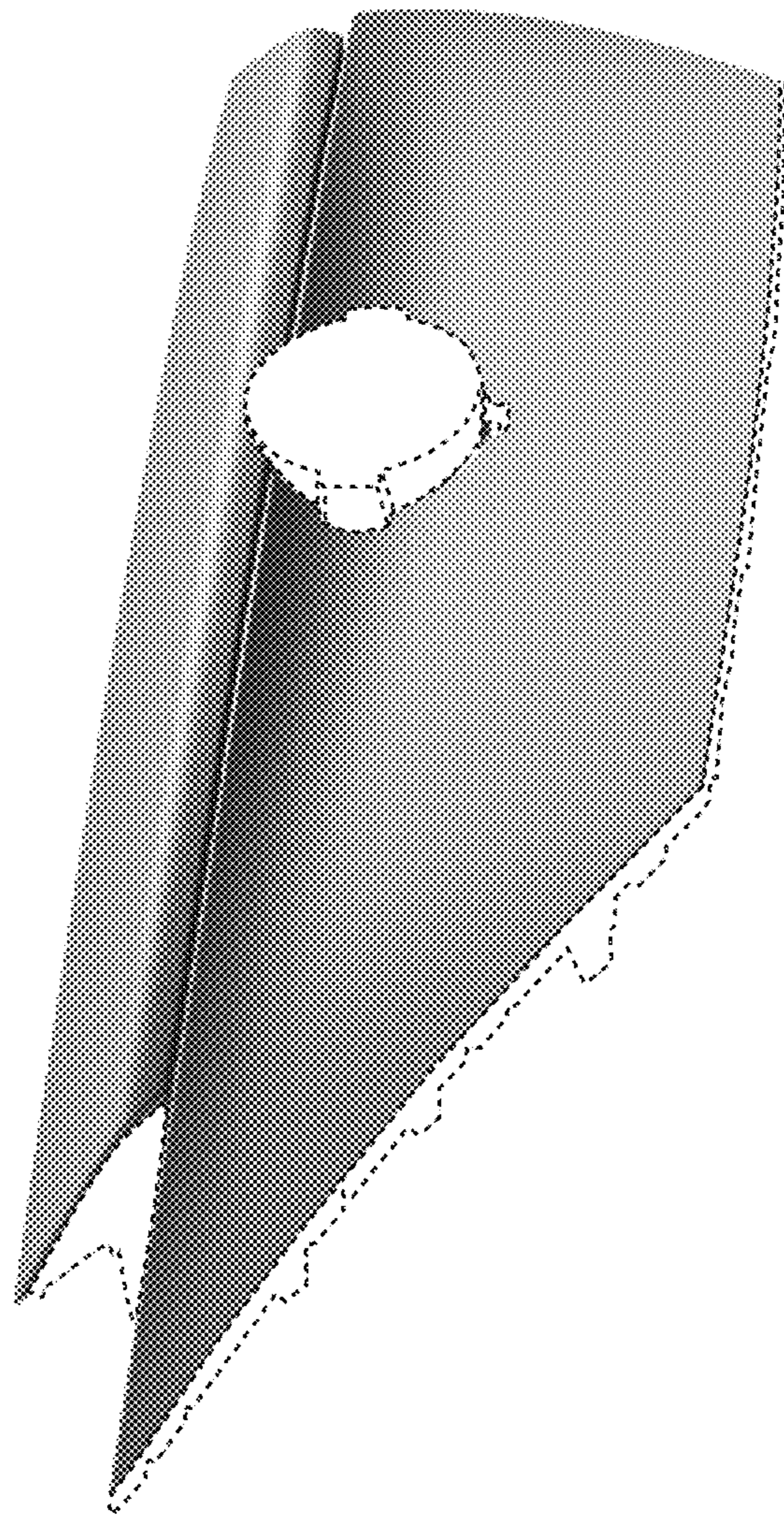


FIG. 2

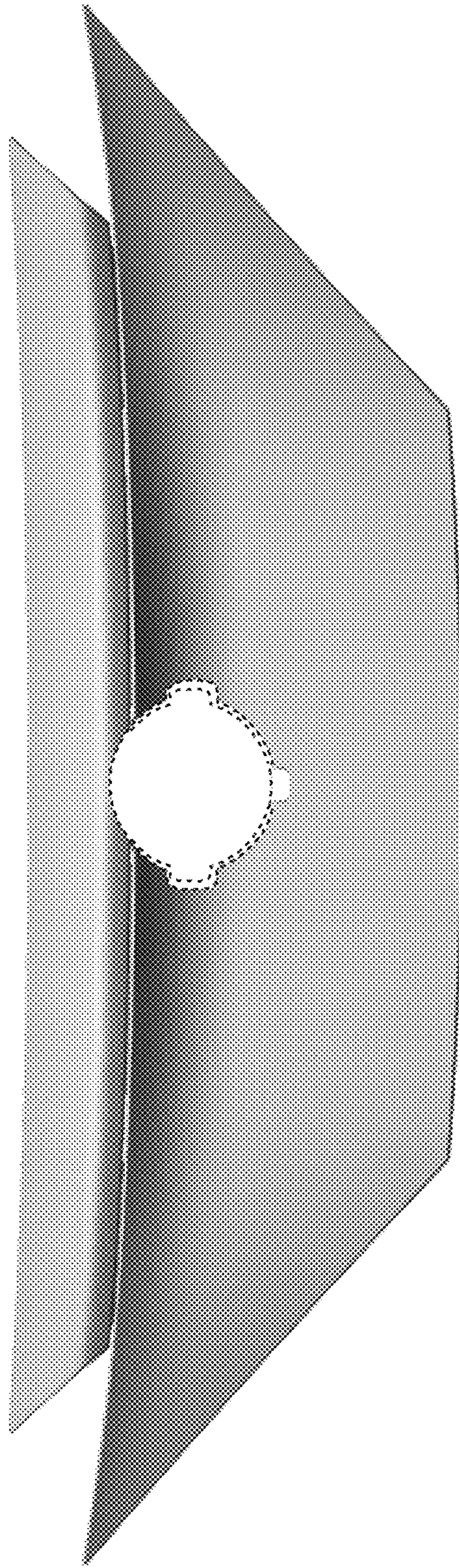


FIG. 3

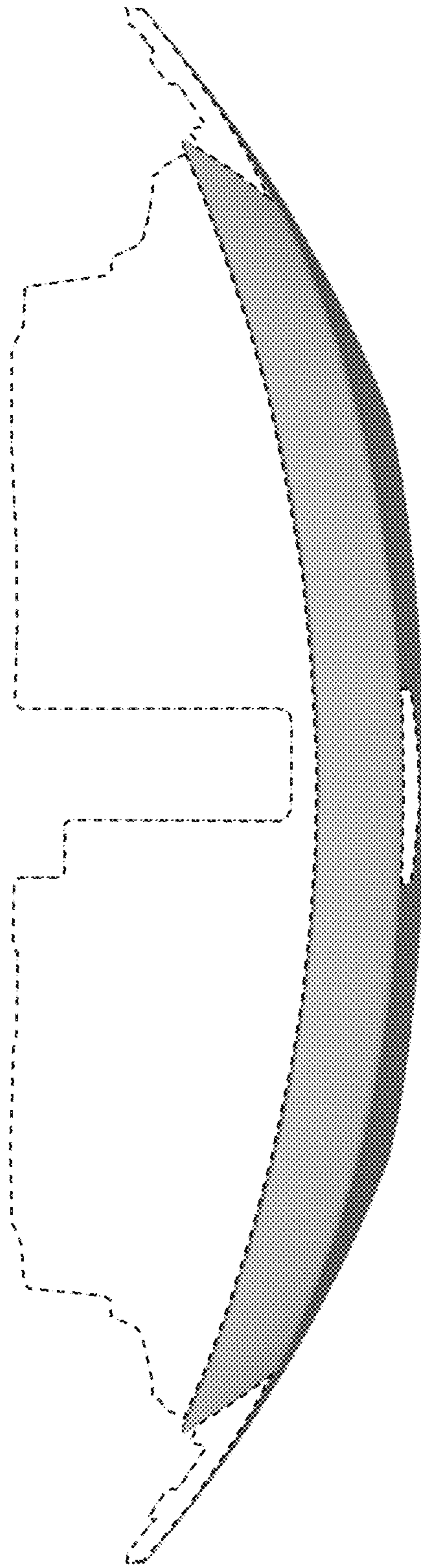


FIG. 4

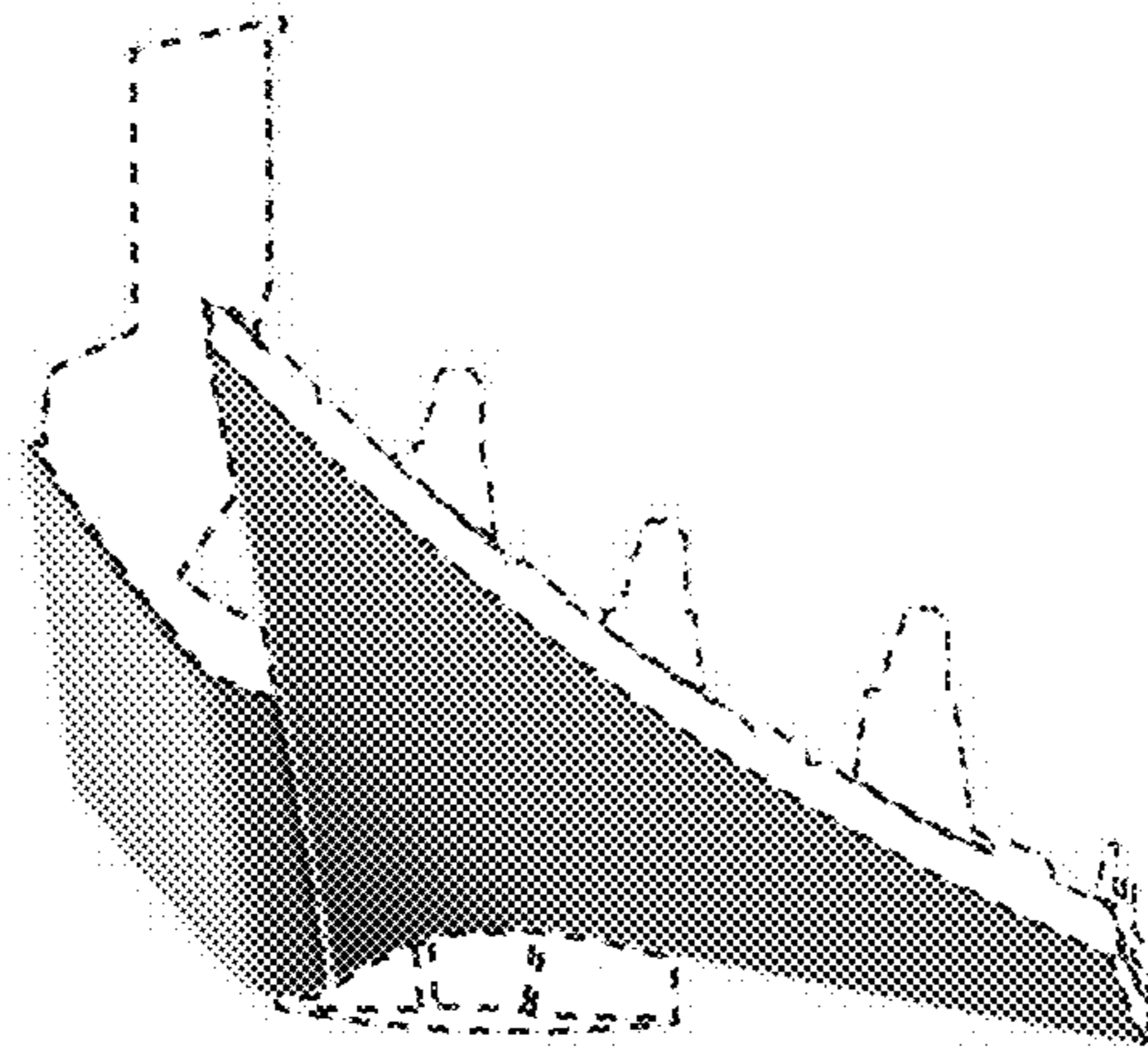


FIG. 5

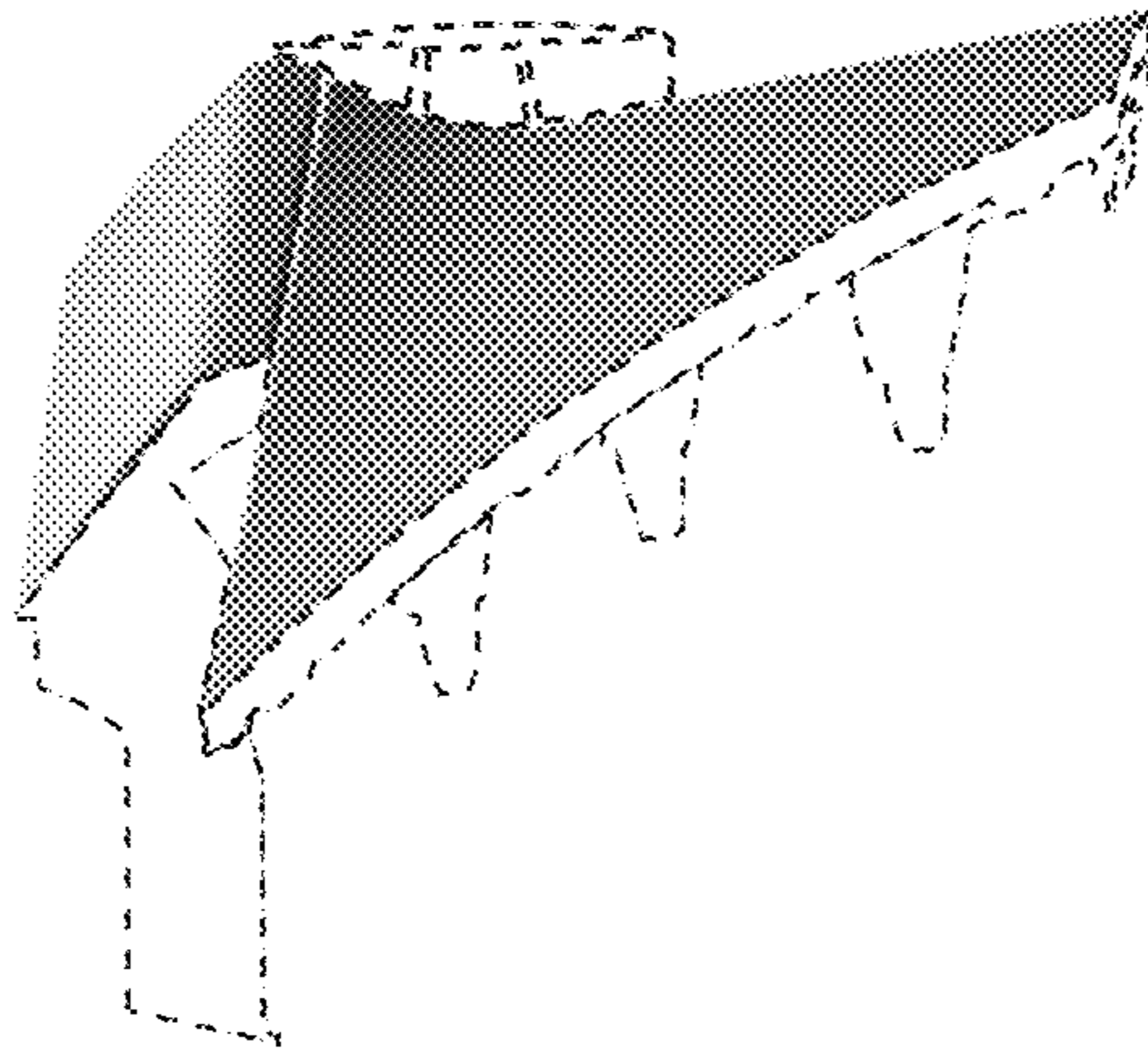


FIG. 6