



US00D934745S

(12) **United States Design Patent** (10) **Patent No.:** **US D934,745 S**
Kentley-Klay et al. (45) **Date of Patent:** **** Nov. 2, 2021**

- (54) **GRILLE FOR A VEHICLE**
- (71) Applicant: **Zoox, Inc.**, Foster City, CA (US)
- (72) Inventors: **Timothy David Kentley-Klay**, Stanford, CA (US); **Nahuel Elias Battaglia**, Stanford, CA (US); **Herman Francisco Delos Santos**, Redwood City, CA (US); **Richard Luke Osellame**, Redwood City, CA (US); **Christopher John Stoffel**, San Carlos, CA (US)
- (73) Assignee: **Zoox, Inc.**, Foster City, CA (US)
- (**) Term: **15 Years**
- (21) Appl. No.: **29/655,155**
- (22) Filed: **Jun. 29, 2018**
- (51) **LOC (13) Cl.** **12-16**
- (52) **U.S. Cl.**
USPC **D12/163**
- (58) **Field of Classification Search**
USPC D12/86, 90, 91, 92, 163, 169, 171, 196, D12/216, 400
CPC B60K 11/085; B60K 11/08; B62D 25/08; B62B 9/16; B60R 19/52
See application file for complete search history.

- D708,555 S * 7/2014 Mackay D12/163
- D735,623 S * 8/2015 Platto D12/163
- D746,186 S * 12/2015 Curic D12/163
- D754,571 S * 4/2016 Boniface D12/163
- D775,555 S * 1/2017 Myrberg D12/163
- D795,761 S * 8/2017 Ito D12/163
- D805,966 S * 12/2017 Perkins D12/163
- D807,243 S * 1/2018 Piscitelli D12/163

(Continued)

OTHER PUBLICATIONS

Chinese Office Action dated Sep. 10, 2020 for Chinese Patent Application No. 201830771132.3, a counterpart of U.S. Appl. No. 29/655,155, 1 page.

(Continued)

Primary Examiner — Manpreet S Matharu
Assistant Examiner — Yolanda Robinson
(74) *Attorney, Agent, or Firm* — Lee & Hayes, P.C.

(57) **CLAIM**

The ornamental design for a grille for a vehicle, as shown and described.

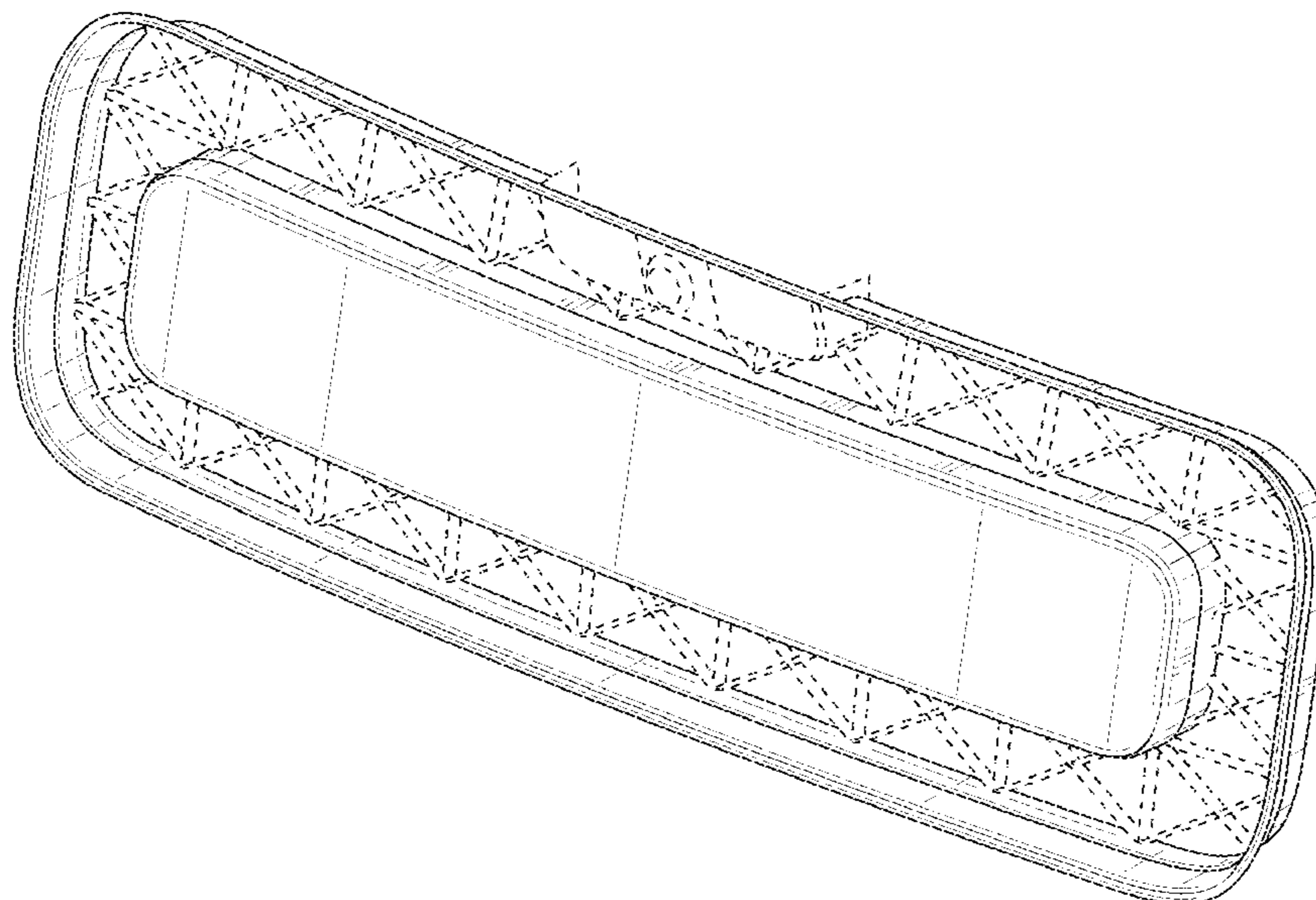
DESCRIPTION

This application is related to U.S. patent application Ser. No. 29/655,062, entitled "Vehicle," filed Jun. 29, 2018, the entire contents of which are incorporated herein by reference. FIG. 1 is a front perspective view of a grille for a vehicle; FIG. 2 is a front view thereof; FIG. 3 is a back view thereof; FIG. 4 is a left-side view thereof; FIG. 5 is a right-side view thereof; FIG. 6 is a top view thereof; and, FIG. 7 is a bottom view thereof. The dashed broken lines depict portions of the grille for a vehicle that form no part of the claimed design.

1 Claim, 7 Drawing Sheets

(56) **References Cited**
U.S. PATENT DOCUMENTS

- D508,445 S * 8/2005 Hall D12/163
- D604,677 S * 11/2009 Schiavone D12/163
- D605,986 S * 12/2009 Raghavendran D12/163
- D626,453 S * 11/2010 Arnell D12/86
- D626,465 S * 11/2010 Thomas D12/163
- D636,305 S * 4/2011 Alvarez D12/171
- 8,128,139 B2 * 3/2012 Stoffel B60R 19/50
293/117
- D685,694 S * 7/2013 Platto D12/163
- D686,543 S * 7/2013 Weil D12/163



(56)

References Cited

U.S. PATENT DOCUMENTS

D813,738	S *	3/2018	Holstein	D12/169
D818,399	S *	5/2018	Frascella	D12/91
D818,892	S *	5/2018	Lee	D12/163
D820,737	S *	6/2018	Simm	D12/163
D820,741	S *	6/2018	Patel	D12/169
D821,273	S *	6/2018	Lee	D12/163
D821,274	S *	6/2018	Simm	D12/163
D823,183	S *	7/2018	Yates	D12/163
D836,507	S *	12/2018	Nguyen	D12/190
2017/0369014	A1 *	12/2017	Goldsberry	B60K 13/02
2018/0134146	A1 *	5/2018	Vacca	B60R 19/52

OTHER PUBLICATIONS

Chinese Office Action dated Dec. 23, 2019 for Chinese Design Application No. 201830771132.3, a counterpart foreign application of the Design U.S. Appl. No. 29/655,155, 1 page.

* cited by examiner

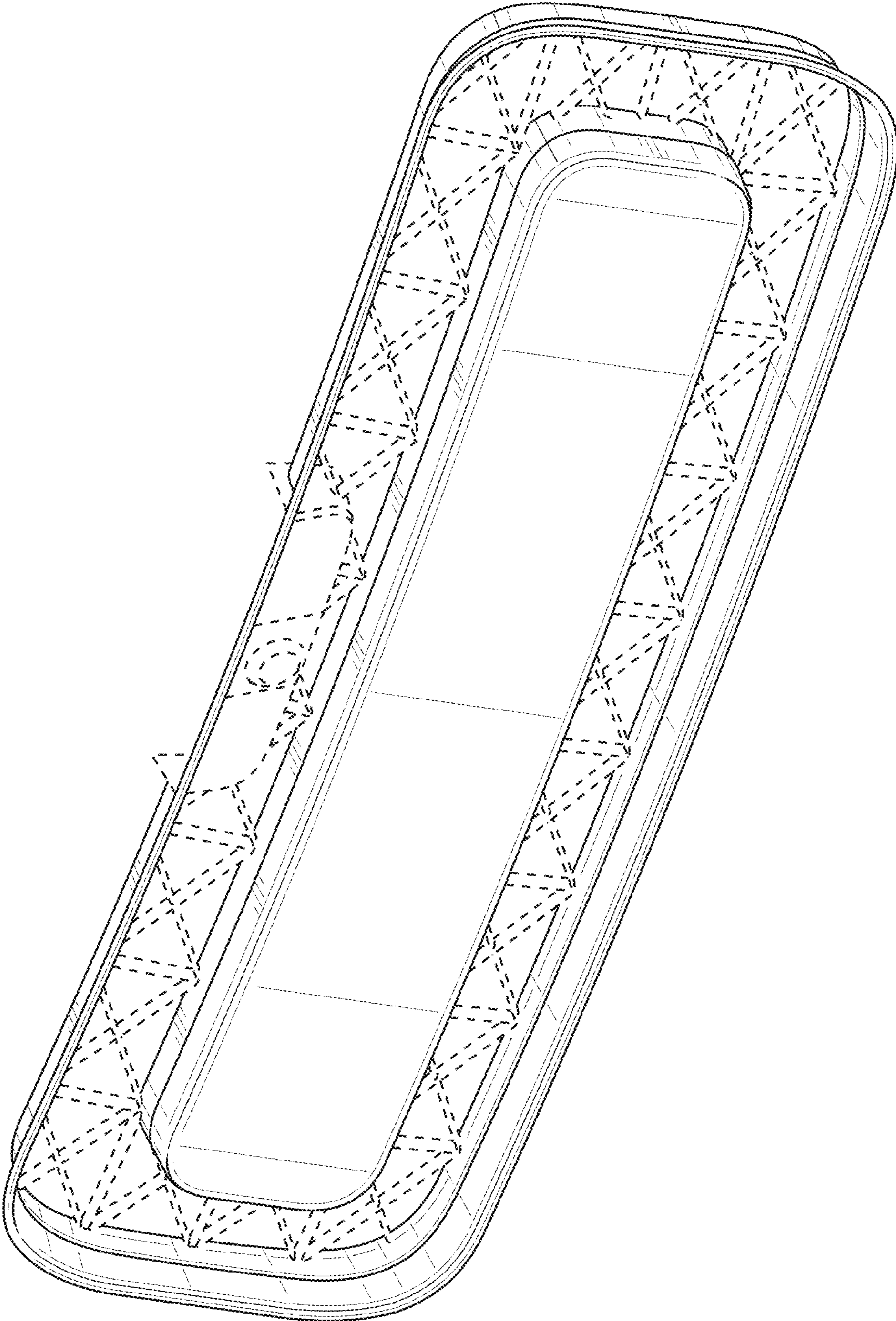


FIG. 1

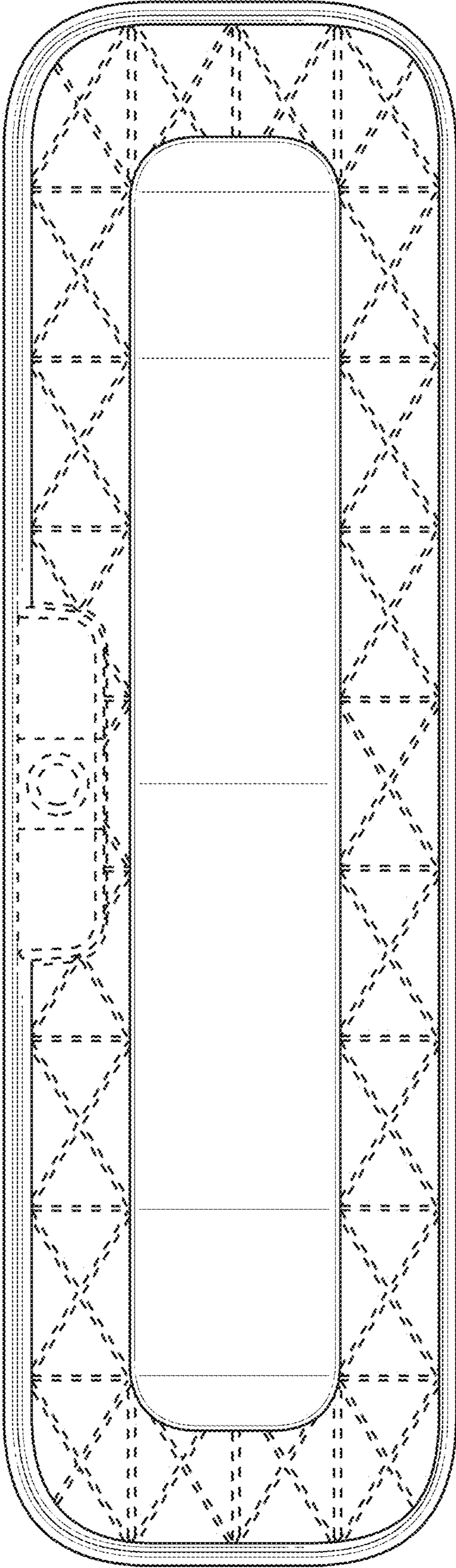


FIG. 2

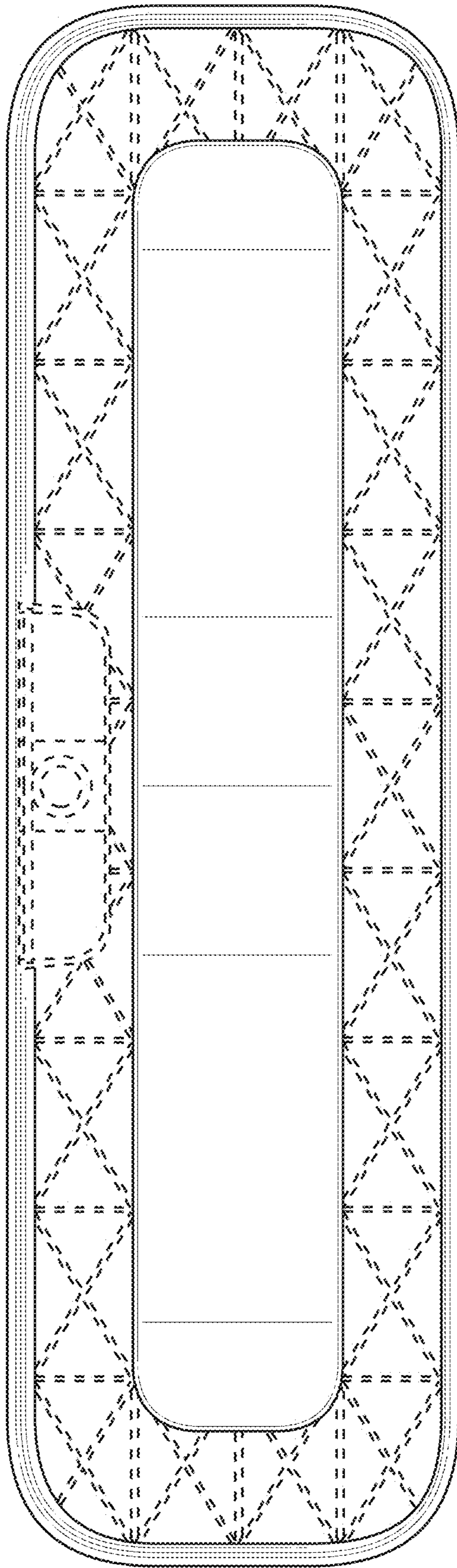


FIG. 3

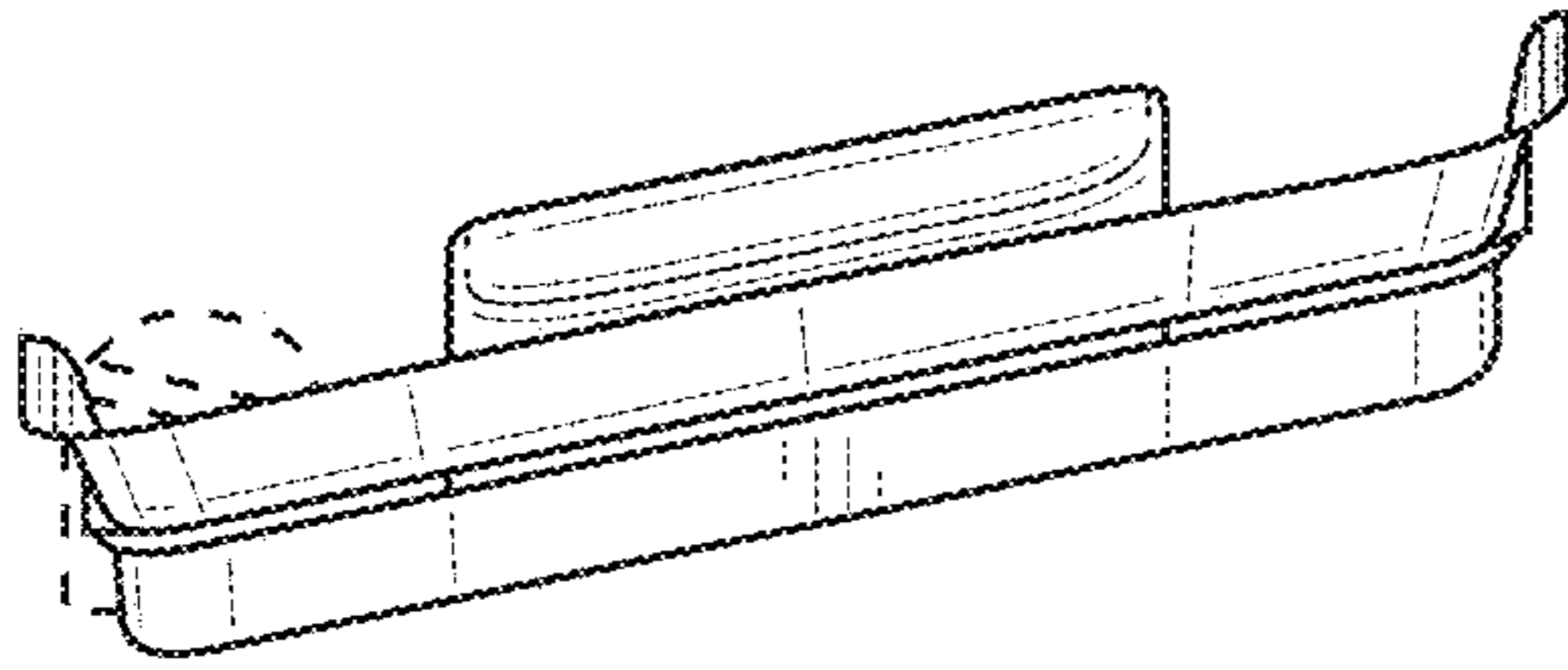


FIG. 4

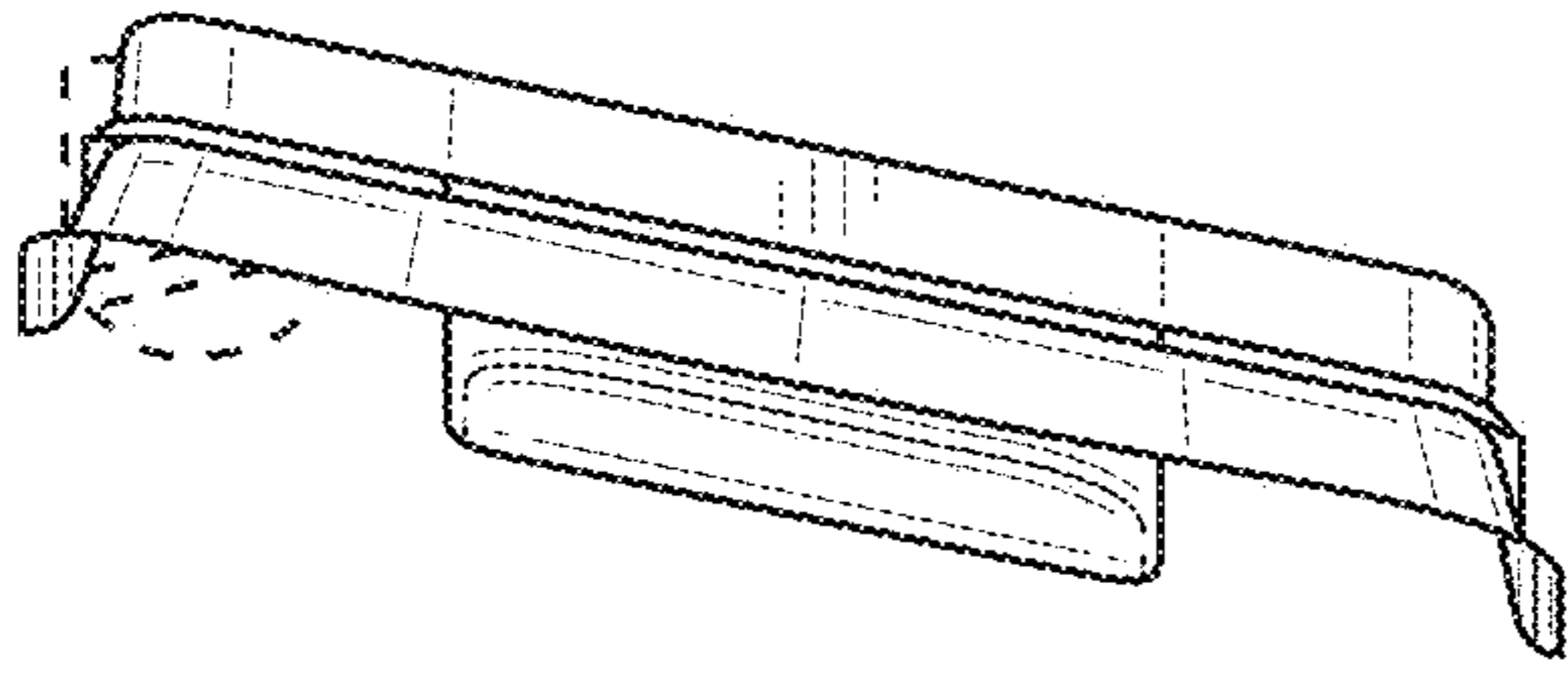


FIG. 5

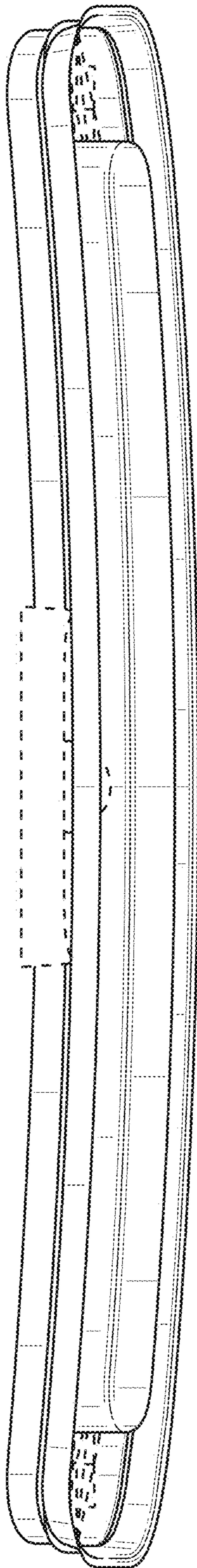


FIG. 6

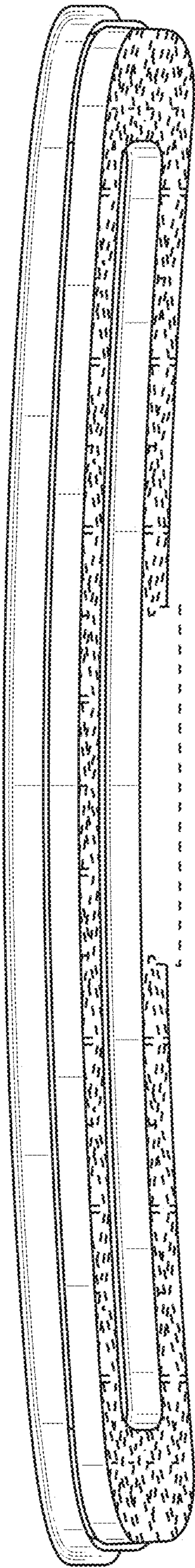


FIG. 7