



US00D934744S

(12) **United States Design Patent** (10) **Patent No.:** **US D934,744 S**
Mueller et al. (45) **Date of Patent:** **** Nov. 2, 2021**

(54) **DROP BAR FOR A TRAILER HITCH**
(71) Applicant: **B & W Custom Truck Beds, Inc.**,
Humboldt, KS (US)
(72) Inventors: **Michael D. Mueller**, Humboldt, KS
(US); **Travis M. McCall**, Humboldt,
KS (US)
(73) Assignee: **B & W Custom Truck Beds, Inc.**,
Humboldt, KS (US)
(**) Term: **15 Years**
(21) Appl. No.: **29/706,377**
(22) Filed: **Sep. 19, 2019**
(51) **LOC (13) Cl.** **12-16**
(52) **U.S. Cl.**
USPC **D12/162**
(58) **Field of Classification Search**
USPC D12/159-162
CPC . B60D 1/60; B60D 1/065; B60D 1/00; B60D
1/06; B60D 1/36; B62D 33/033
See application file for complete search history.

D922,264 S * 6/2021 Han D12/162
D922,265 S * 6/2021 Han D12/162
D922,913 S * 6/2021 Works D12/162
D922,914 S * 6/2021 Works D12/162
D923,521 S * 6/2021 Works D12/162
D924,108 S * 7/2021 Works D12/162
D926,088 S * 7/2021 Hart D12/162

OTHER PUBLICATIONS

Cequent Hitch Drop Bar photos; On sale prior to Sep. 18, 2018.
Husky Liners Drop Bar photos; On sale prior to Sep. 18, 2018.

(Continued)

Primary Examiner — Katrina A Betton
(74) *Attorney, Agent, or Firm* — Erickson Kernell IP,
LLC; Kent R. Erickson

(57) **CLAIM**

The ornamental design for a drop bar for a trailer hitch, as shown and described.

DESCRIPTION

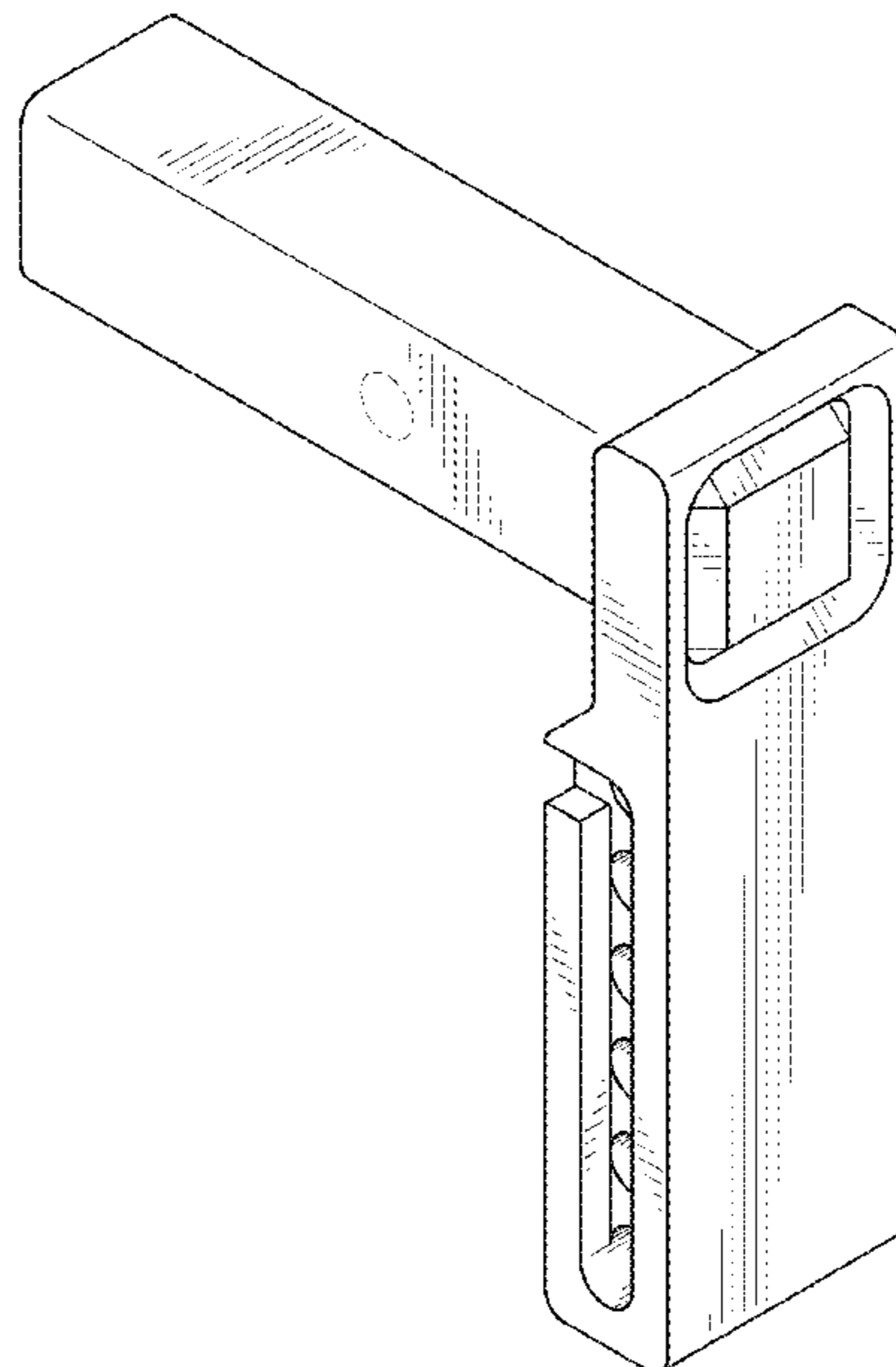
FIG. 1 is a front perspective view of a drop bar for a trailer hitch showing our new design in solid lines and showing in phantom lines an example of a hitch ball assembly securable to the drop bar to show the environment in which the design is associated;
FIG. 2 is a perspective view thereof, similar to FIG. 1;
FIG. 3 is a rear perspective view thereof;
FIG. 4 is a left side, elevational view thereof, the right side being a mirror image thereof;
FIG. 5 is a rear, elevational view thereof;
FIG. 6 is a front, elevational view thereof;
FIG. 7 is a top, plan view thereof; and,
FIG. 8 is a bottom, plan view thereof.
The broken lines shown in the drawings illustrate portions of the drop bar that form no part of the claim.

1 Claim, 6 Drawing Sheets

(56) **References Cited**

U.S. PATENT DOCUMENTS

6,460,870 B2 10/2002 Moss
6,712,381 B1 3/2004 Moss
6,789,815 B2 9/2004 Moss
6,974,148 B2 12/2005 Moss et al.
7,004,492 B2 2/2006 Moss et al.
7,029,022 B2 4/2006 Moss
7,125,036 B2 10/2006 Moss et al.
7,204,505 B2 4/2007 Moss
7,819,416 B2 10/2010 Moss
D894,800 S * 9/2020 Noel D12/162
D909,922 S * 2/2021 Siegel D12/162
D913,861 S * 3/2021 McCall D12/162
D913,862 S * 3/2021 McCall D12/162



(56)

References Cited

OTHER PUBLICATIONS

Fastway Trailer Products Drop Bar photos; On sale prior to Sep. 18, 2018.

B & W Trailer Hitches Drop Bar photos; On sale prior to Sep. 18, 2018.

Cequent Hitch Drop Bar photos; On sale prior to filing date of present application.

Husky Liners Drop Bar photos; On sale prior to filing date of present application.

Fastway Trailer Products Drop Bar photos; On sale prior to filing date of present application.

B & W Trailer Hitches Drop Bar photos; On sale prior to filing date of present application.

Photographs: Cequent Hitch Drop Bar; On sale in the United States of America prior to Sep. 18, 2018 (See Exhibit A1 and A2). Sold by Cequent Performance Products, Inc.

Photographs: Husky Liners Drop Bar; On sale in the United States of America prior to Sep. 18, 2018 (See Exhibit B1 and B2). Sold by Husky Liners, Inc. Currently offered for sale at https://www.ebay.com/b/Husky-Liners-Car-Truck-Towing-Hauling/33653/bn_21008096.

Photographs: Fastway Trailer Products Drop Bar; On sale in the United States of America prior to Sep. 18, 2018 (See Exhibit C1 and C2). Sold by Progress Mfg. Inc. Currently offered for sale on etrailer.com at https://www.etrailer.com/Trailer-Hitch-Ball-Mount/B-and-W/BWTS10048B.html?feed=npn&gclid=CjwKCAiAp4KCBhB6EiwAxRxbplJQAJVtrb81UekAFeyovn0mVhKgCJVIIjOjYyVaKJ5V9kKN7sWluxoCep8QAvD_BwE.

Photographs: B & W Trailer Hitches Drop Bar; On sale in the United States of America prior to Sep. 18, 2018 (See Exhibit D1 and D2). Sold by B&W Custom Truck Beds, Inc. Currently offered for sale at https://www.etrailer.com/Trailer-Hitch-Ball-Mount/B-and-W/BWTS10048B.html?feed=npn&gclid=CjwKCAiAp4KCBhB6EiwAxRxbplJQAJVtrb81UekAFeyovn0mVhKgCJVIIjOjYyVaKJ5V9kKN7sWluxoCep8QAvD_BwE.

* cited by examiner

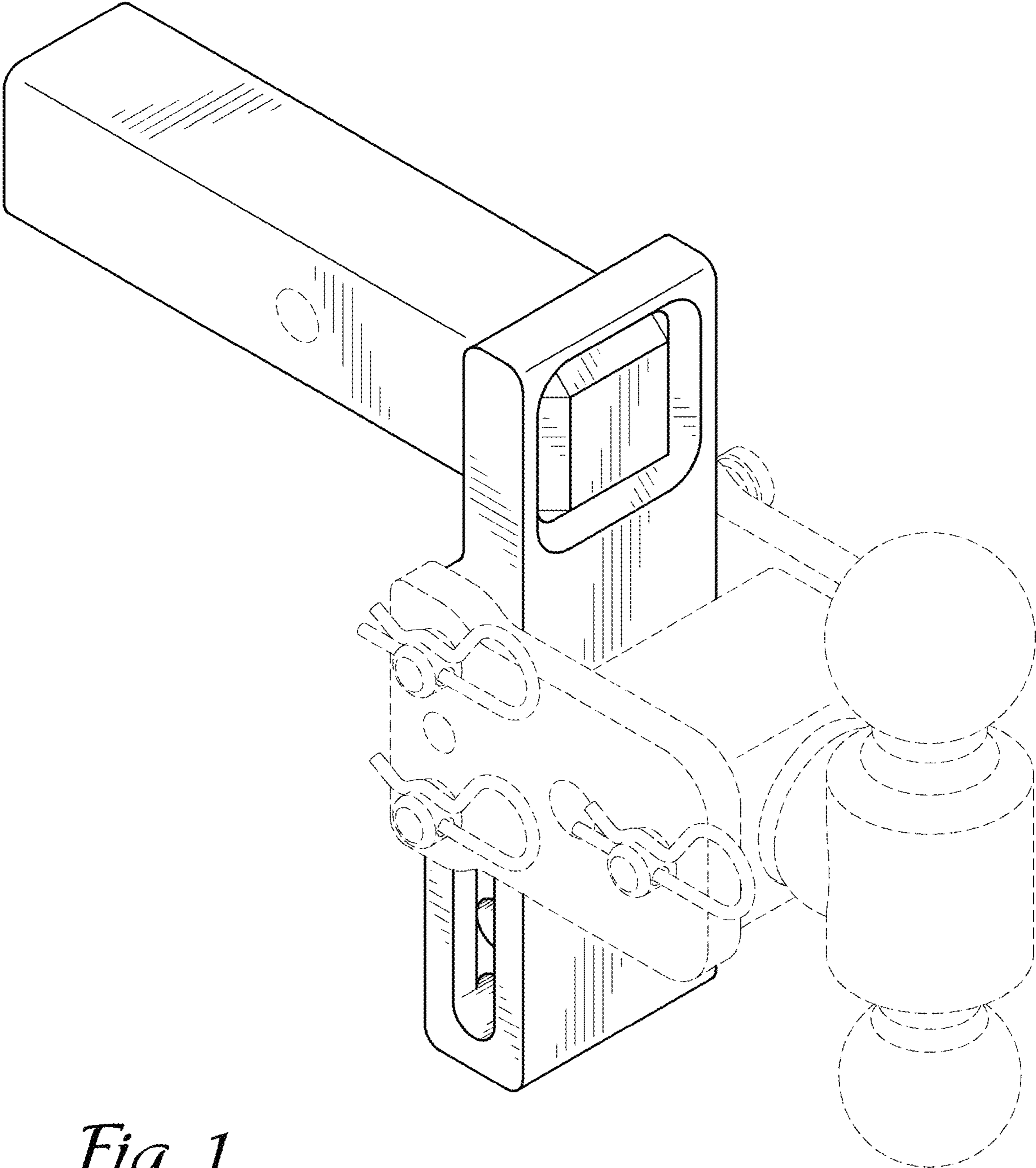


Fig. 1

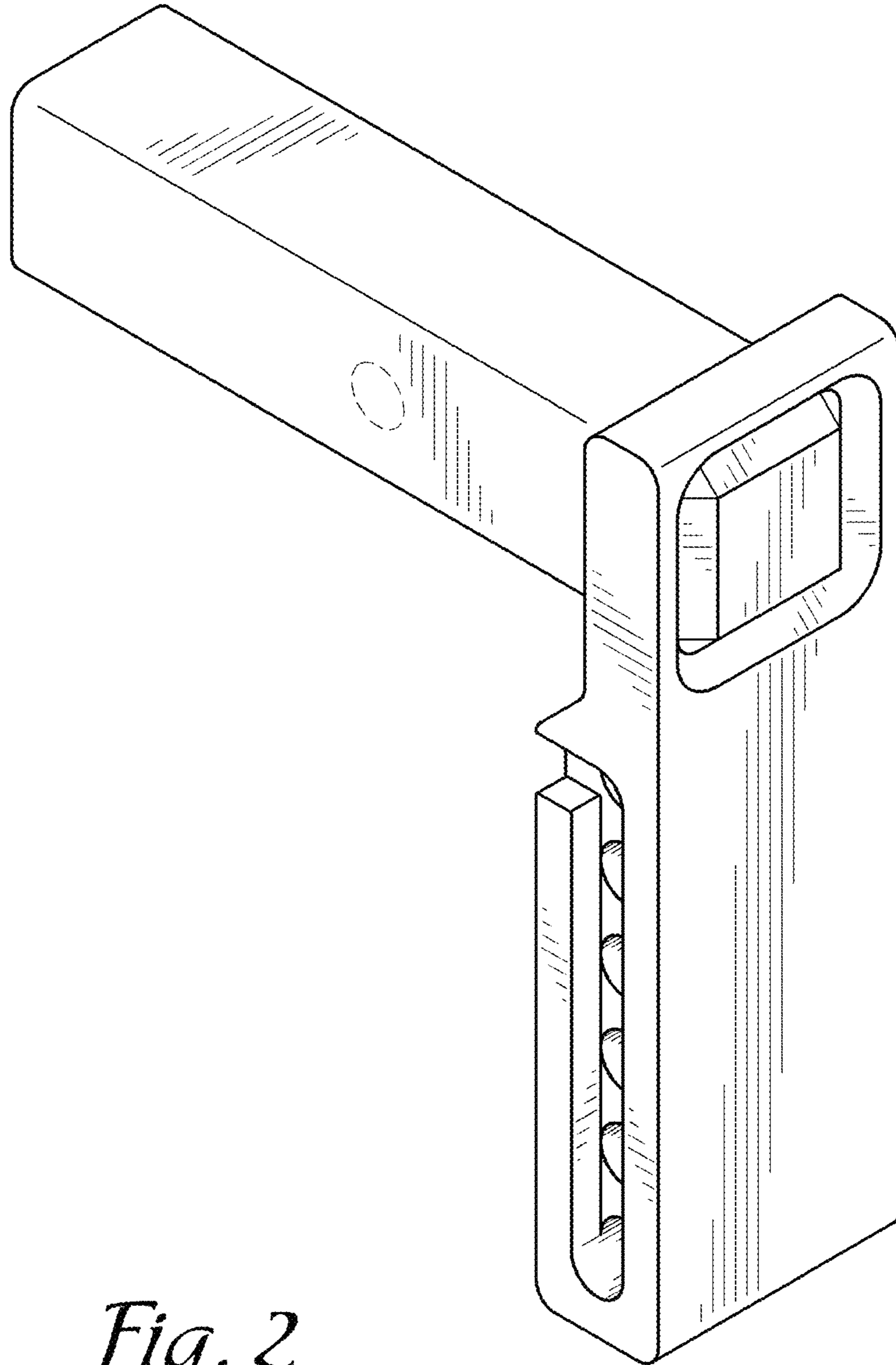


Fig. 2

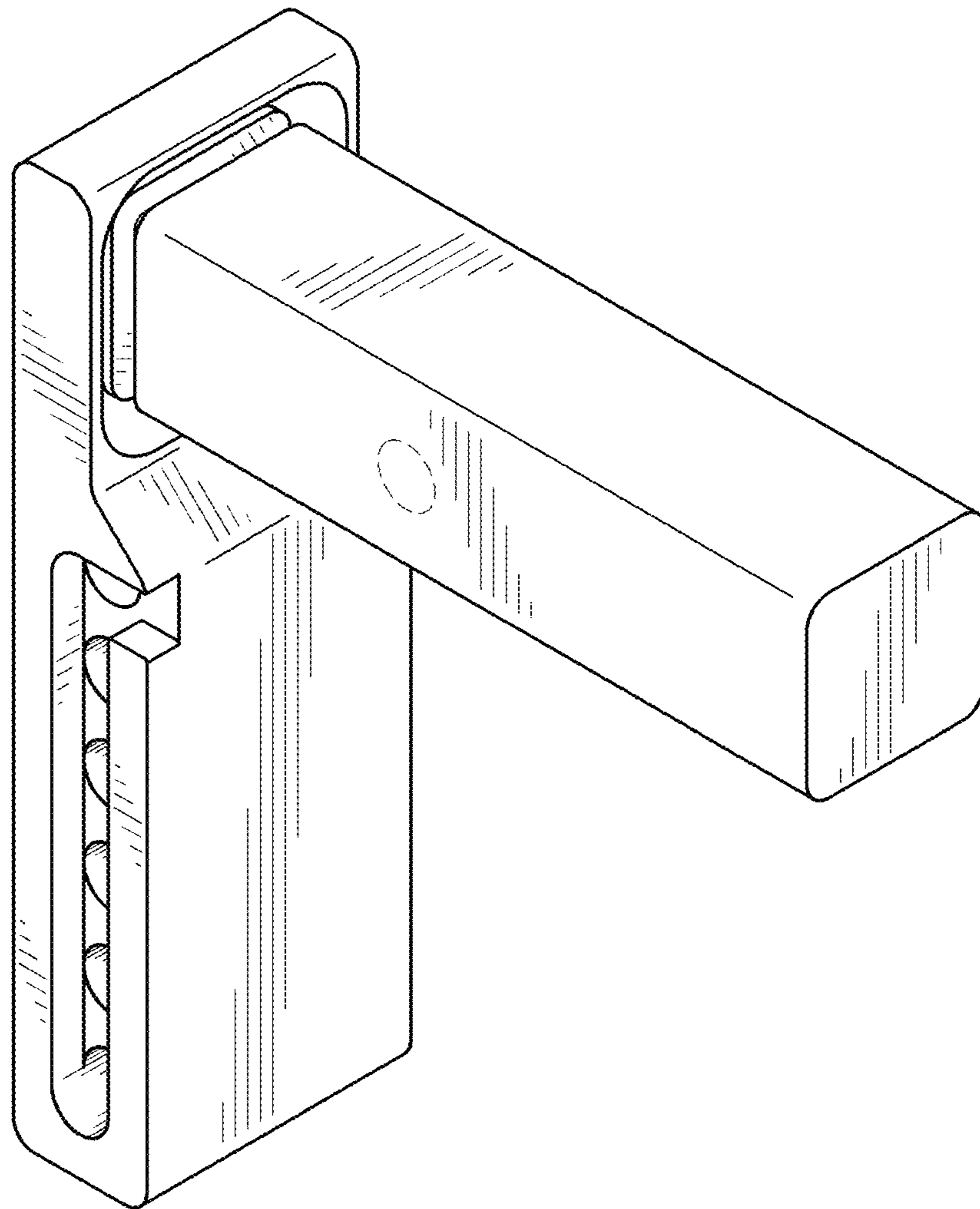


Fig. 3

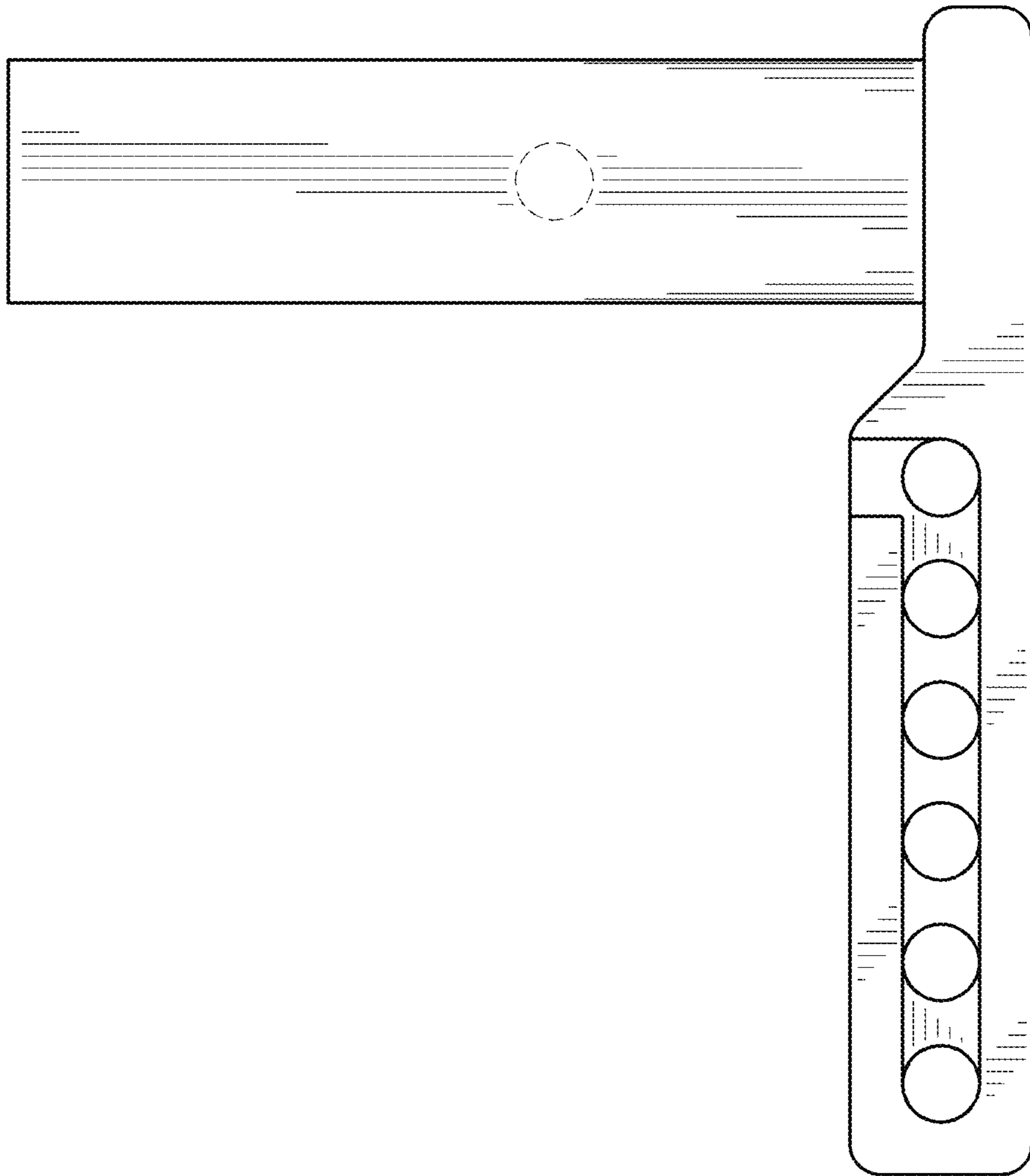


Fig. 4

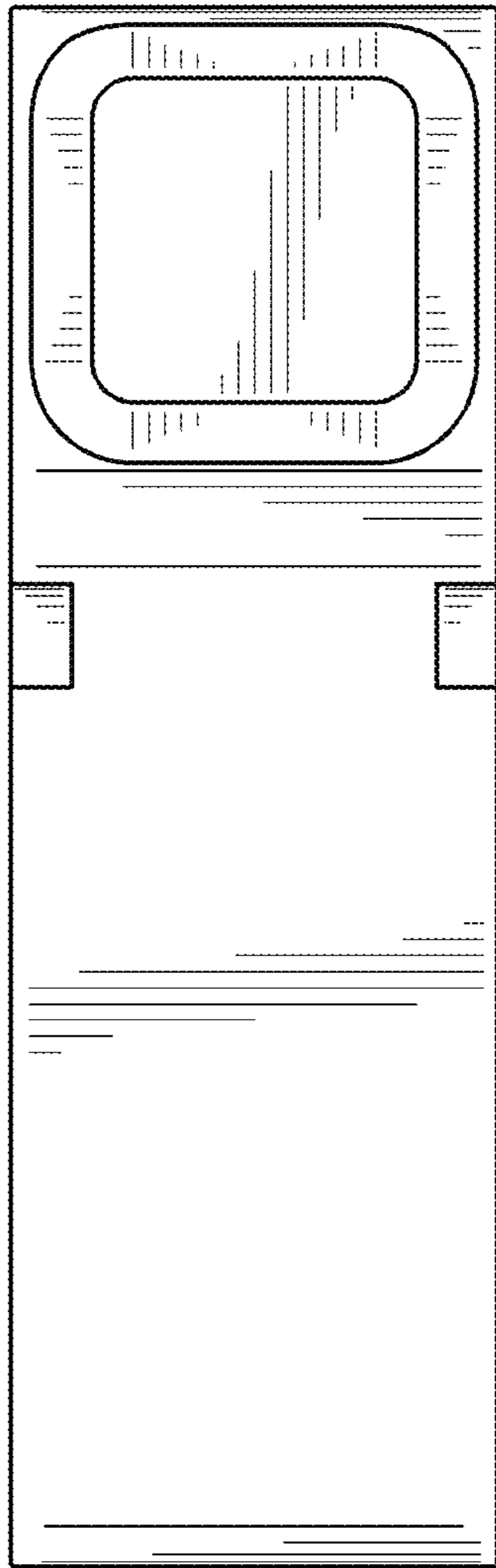


Fig. 5

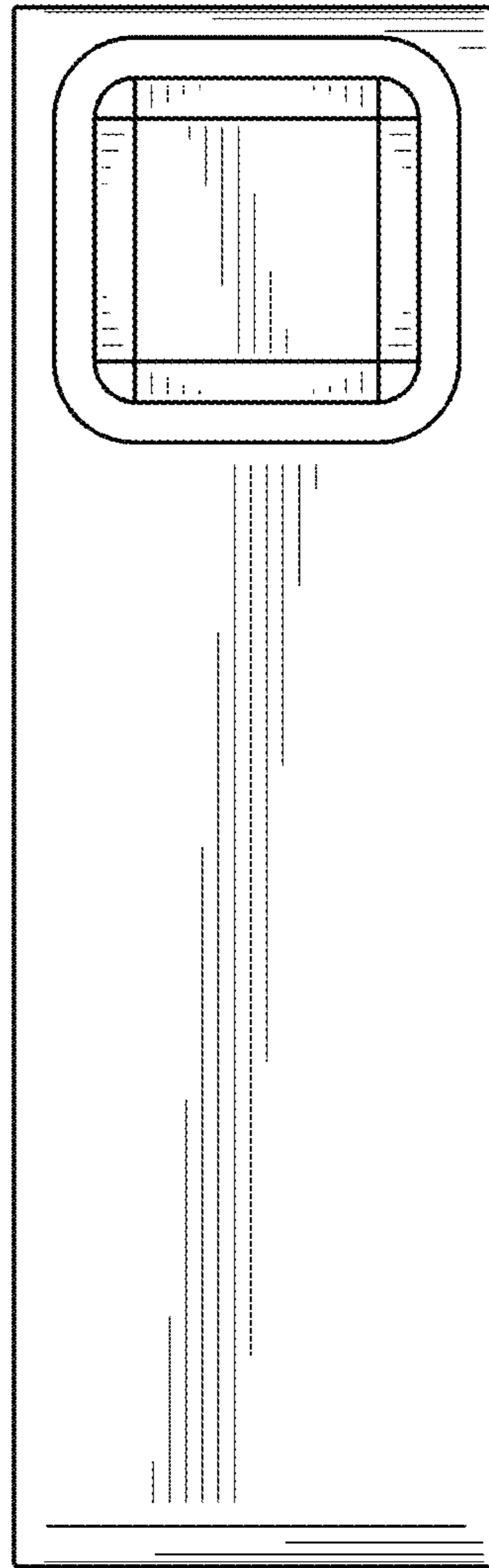


Fig. 6

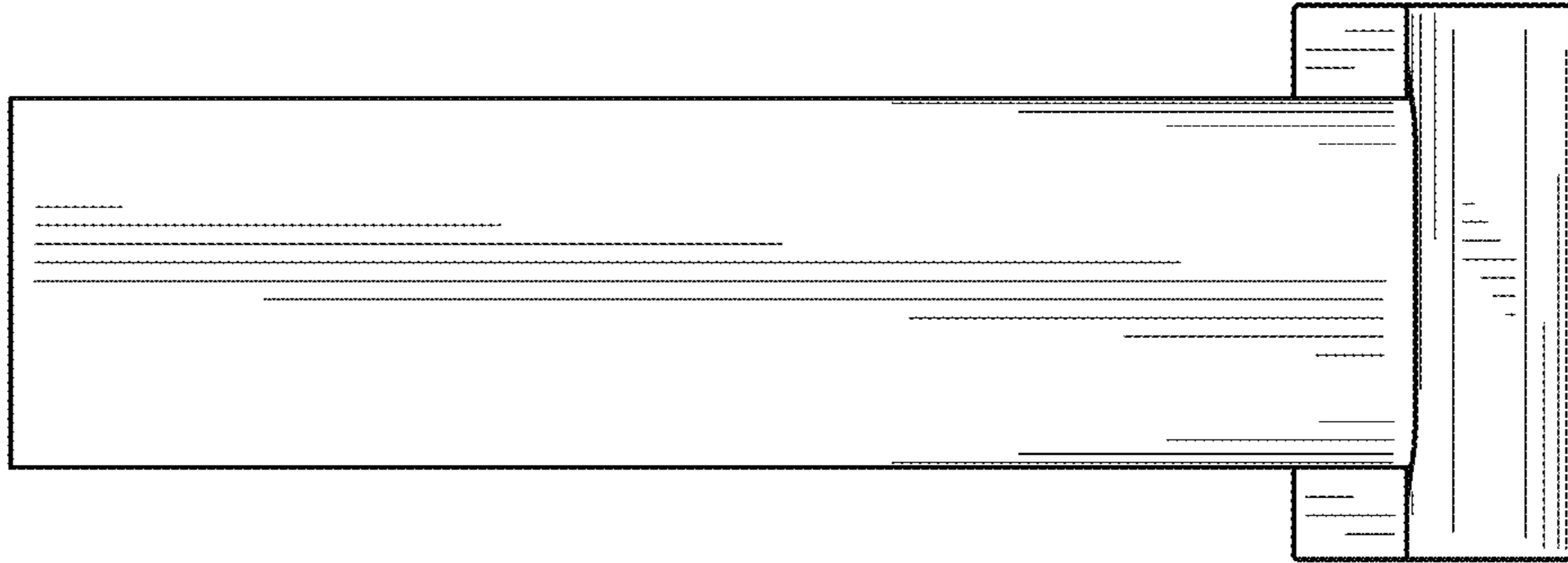


Fig. 7

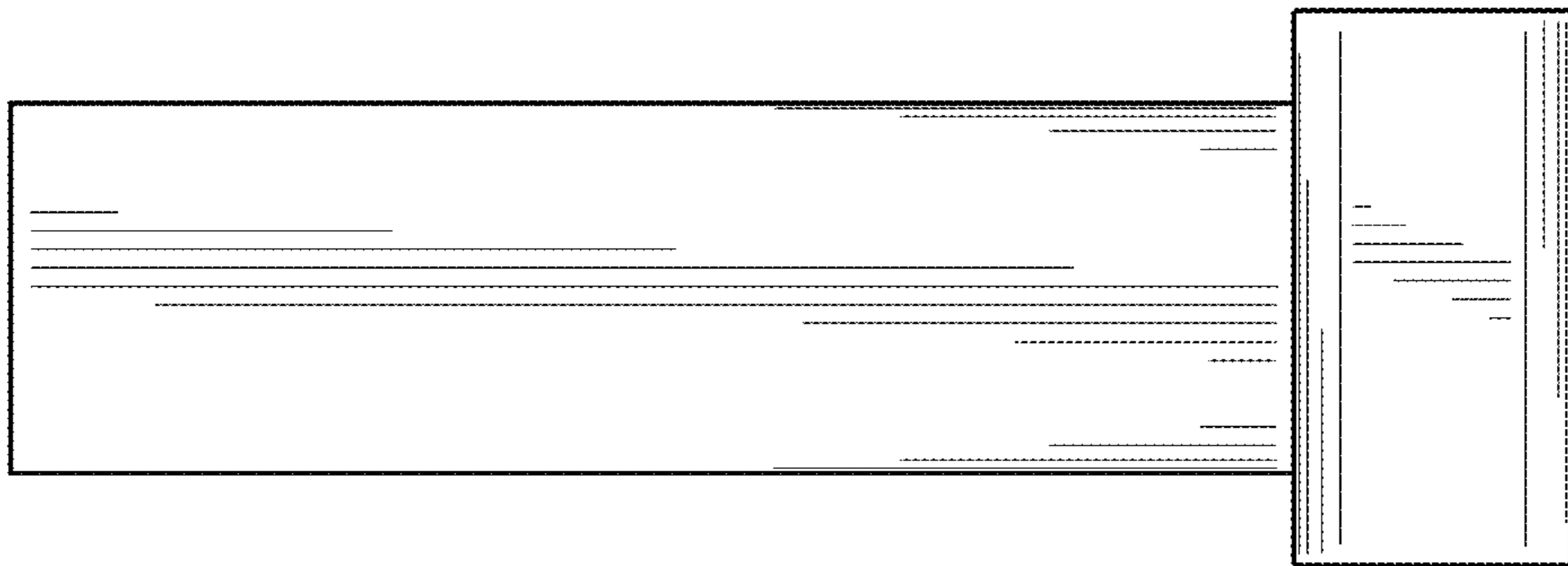


Fig. 8