



US00D934743S

(12) **United States Design Patent**
McCall

(10) **Patent No.:** **US D934,743 S**

(45) **Date of Patent:** **** Nov. 2, 2021**

(54) **DROP BAR FOR A TRAILER HITCH**

D923,521 S * 6/2021 Works D12/162
D924,108 S * 7/2021 Works D12/162
D926,088 S * 7/2021 Hart D12/162

(71) Applicant: **B & W Custom Truck Beds, Inc.**,
Humboldt, KS (US)

(72) Inventor: **Travis M. McCall**, Humboldt, KS (US)

(73) Assignee: **B & W Custom Truck Beds, Inc.**,
Humboldt, KS (US)

(**) Term: **15 Years**

(21) Appl. No.: **29/706,375**

(22) Filed: **Sep. 19, 2019**

(51) **LOC (13) Cl.** **12-16**

(52) **U.S. Cl.**
USPC **D12/162**

(58) **Field of Classification Search**
USPC D12/159-162
CPC . B60D 1/60; B60D 1/065; B60D 1/00; B60D
1/06; B60D 1/36; B62D 33/033
See application file for complete search history.

(56) **References Cited**

U.S. PATENT DOCUMENTS

6,460,870	B2	10/2002	Moss	
6,712,381	B1	3/2004	Moss	
6,789,815	B2	9/2004	Moss	
6,974,148	B2	12/2005	Moss et al.	
7,004,492	B2	2/2006	Moss et al.	
7,029,022	B2	4/2006	Moss	
7,125,036	B2	10/2006	Moss et al.	
7,204,505	B2	4/2007	Moss	
7,819,416	B2	10/2010	Moss	
D894,800	S *	9/2020	Noel	D12/162
D909,922	S *	2/2021	Siegel	D12/162
D913,861	S *	3/2021	McCall	D12/162
D913,862	S *	3/2021	McCall	D12/162
D922,264	S *	6/2021	Han	D12/162
D922,265	S *	6/2021	Han	D12/162
D922,913	S *	6/2021	Works	D12/162
D922,914	S *	6/2021	Works	D12/162

OTHER PUBLICATIONS

Cequent Hitch Drop Bar photos; On sale prior to Sep. 18, 2018.
Husky Liners Drop Bar photos; On sale prior to Sep. 18, 2018.
Fastway Trailer Products Drop Bar photos; On sale prior to Sep. 18, 2018.
B & W Trailer Hitches Drop Bar photos; On sale prior to Sep. 18, 2018.

(Continued)

Primary Examiner — Katrina A Betton

(74) *Attorney, Agent, or Firm* — Erickson Kernell IP, LLC; Kent R. Erickson

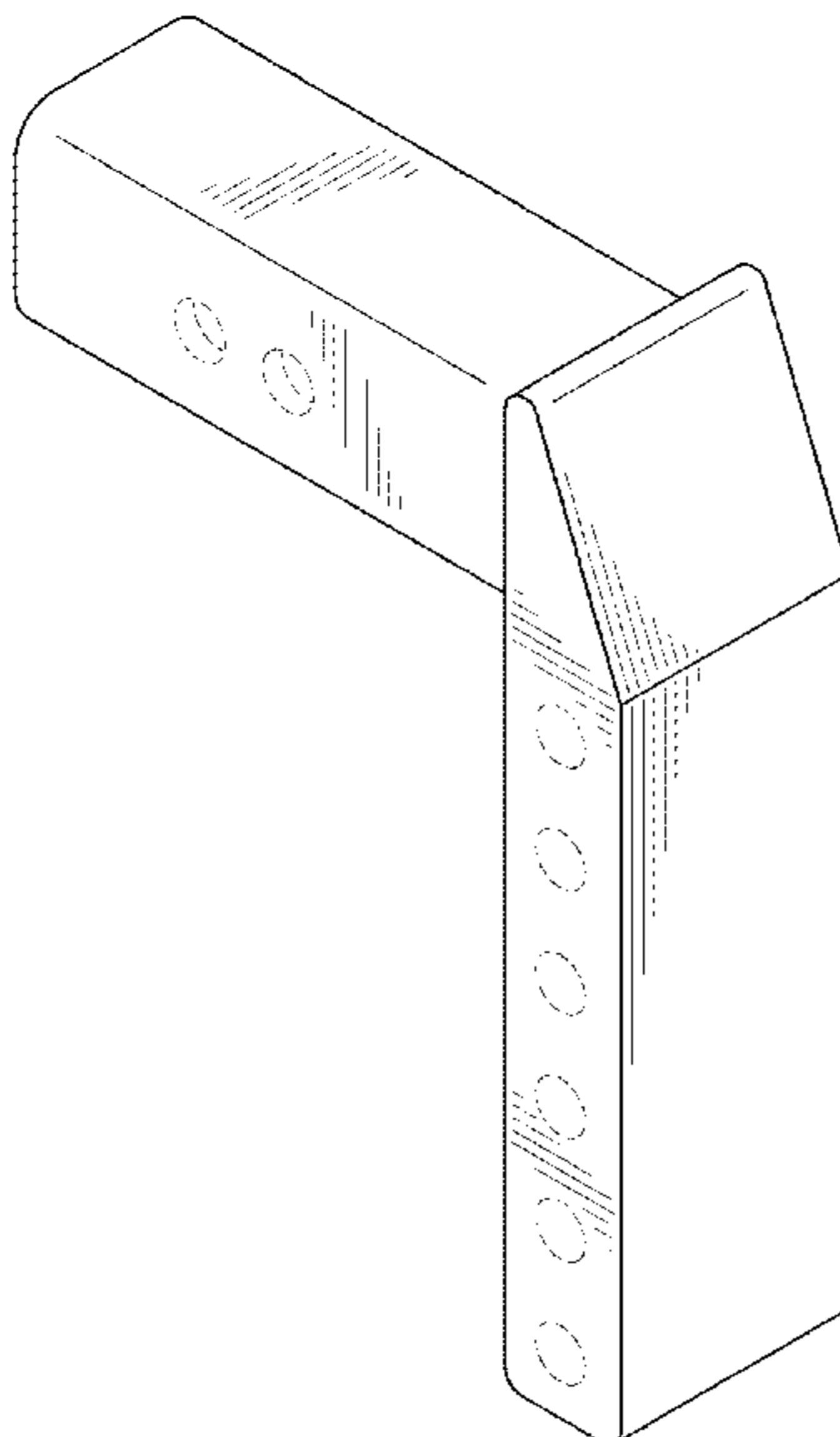
(57) **CLAIM**

The ornamental design for a drop bar for a trailer hitch, as shown and described.

DESCRIPTION

FIG. 1 is a front perspective view of a drop bar for a trailer hitch showing my new design in solid lines and showing in phantom lines an example of a hitch ball assembly securable to the drop bar to show the environment in which the design is associated;
FIG. 2 is a perspective view thereof, similar to FIG. 1;
FIG. 3 is a left-side, elevational view thereof, the right side being a mirror image thereof;
FIG. 4 is a rear, elevational view thereof;
FIG. 5 is a front elevational view thereof;
FIG. 6 is a top, plan view thereof; and,
FIG. 7 is a bottom, plan view thereof.
The broken lines shown in the drawings illustrate portions of the drop bar that form no part of the claim.

1 Claim, 5 Drawing Sheets



(56)

References Cited

OTHER PUBLICATIONS

Cequent Hitch Drop Bar photos; On sale prior to filing date of present application.

Husky Liners Drop Bar photos; On sale prior to filing date of present application.

Fastway Trailer Products Drop Bar photos; On sale prior to filing date of present application.

B & W Trailer Hitches Drop Bar photos; On sale prior to filing date of present application.

Cequent Hitch Drop Bar; On sale in the United States of America prior to Sep. 18, 2018 (See Exhibit A1 and A2). Sold by Cequent Performance Products, Inc.

Husky Liners Drop Bar; On sale in the United States of America prior to Sep. 18, 2018 (See Exhibit B1 and B2). Sold by Husky Liners, Inc. Currently offered for sale at https://www.ebay.com/b/Husky-Liners-Car-Truck-Towing-Hauling/33653/bn_21008096.

Fastway Trailer Products Drop Bar; On sale in the United States of America prior to Sep. 18, 2018 (See Exhibit C1 and C2). Sold by Progress Mfg. Inc. Currently offered for sale on etrailer.com at https://www.etrailer.com/Trailer-Hitch-Ball-Mount/B-and-W/BWTS10048B.html?feed=npn&gclid=CjwKCAiAp4KCBhB6EiwAxRxbplJQajVtrb81UekAFeyovn0mVhKgCJVIIojOyYVaKJ5V9kKN7sWluxoCep8QAvD_BwE.

B & W Trailer Hitches Drop Bar; On sale in the United States of America prior to Sep. 18, 2018 (See Exhibit D1 and D2). Sold by B&W Custom Truck Beds, Inc. Currently offered for sale at https://www.etrailer.com/Trailer-Hitch-Ball-Mount/B-and-W/BWTS10048B.html?feed=npn&gclid=CjwKCAiAp4KCBhB6EiwAxRxbplJQajVtrb81UekAFeyovn0mVhKgCJVIIojOyYVaKJ5V9kKN7sWluxoCep8QAvD_BwE.

* cited by examiner

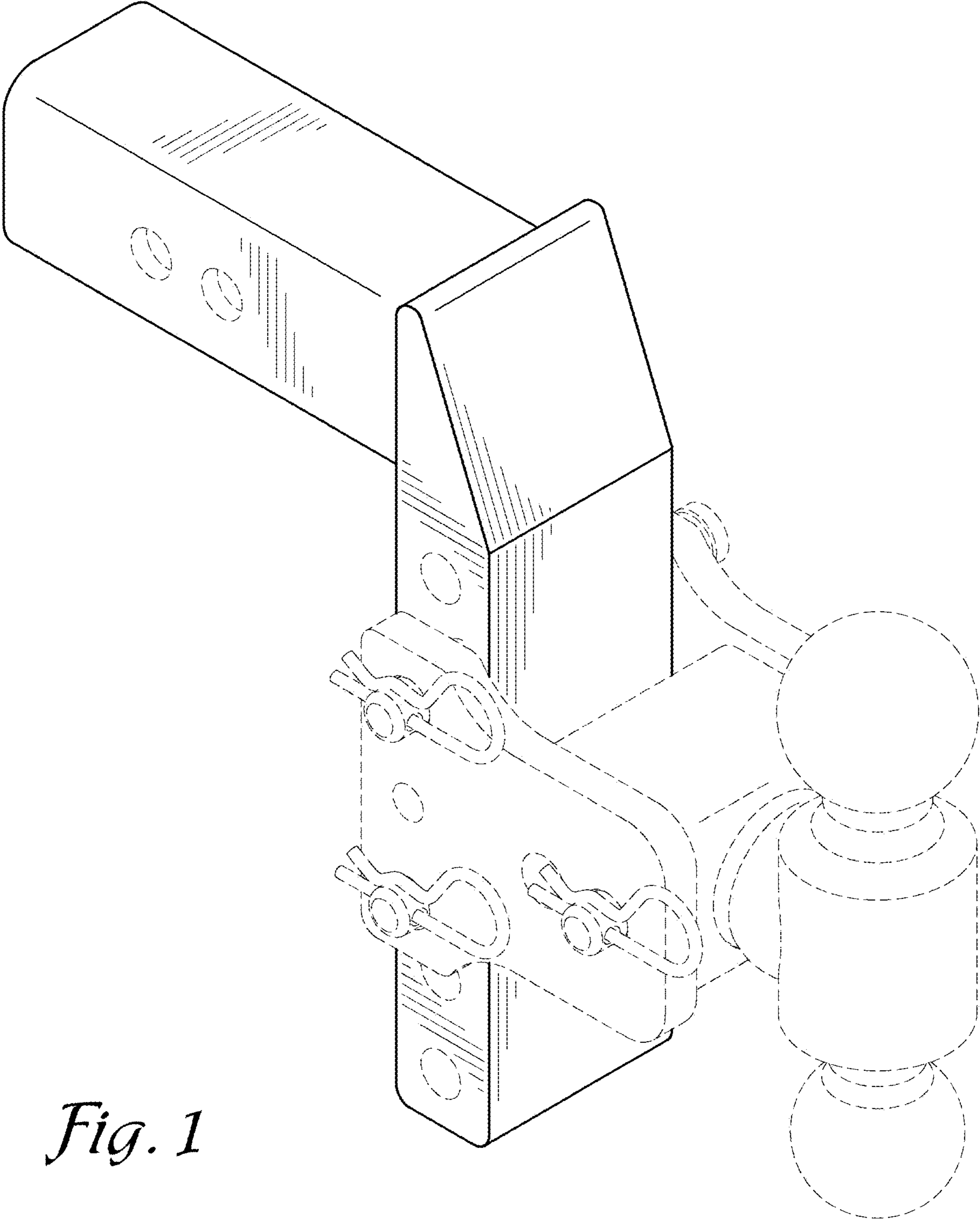


Fig. 1

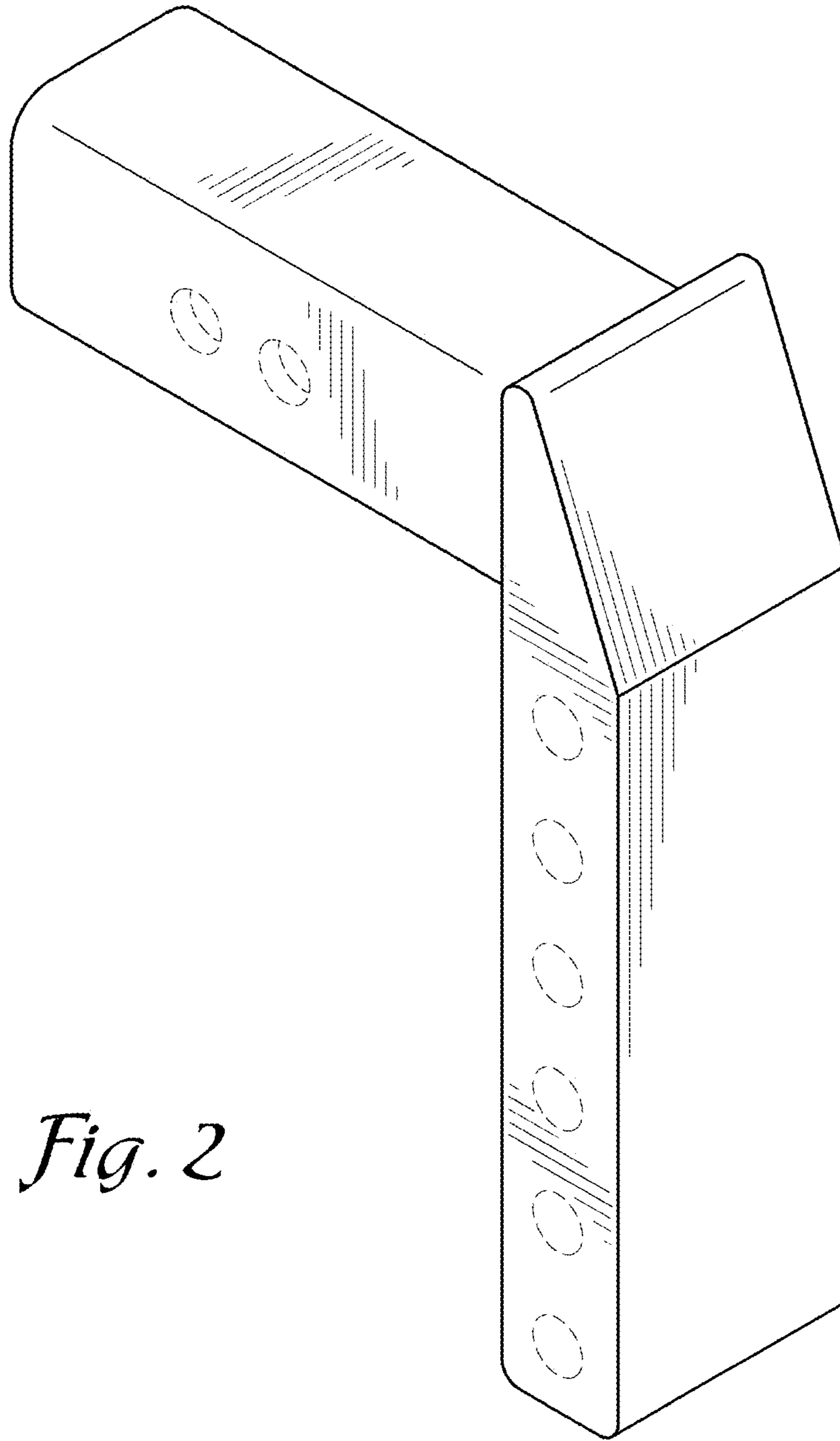


Fig. 2

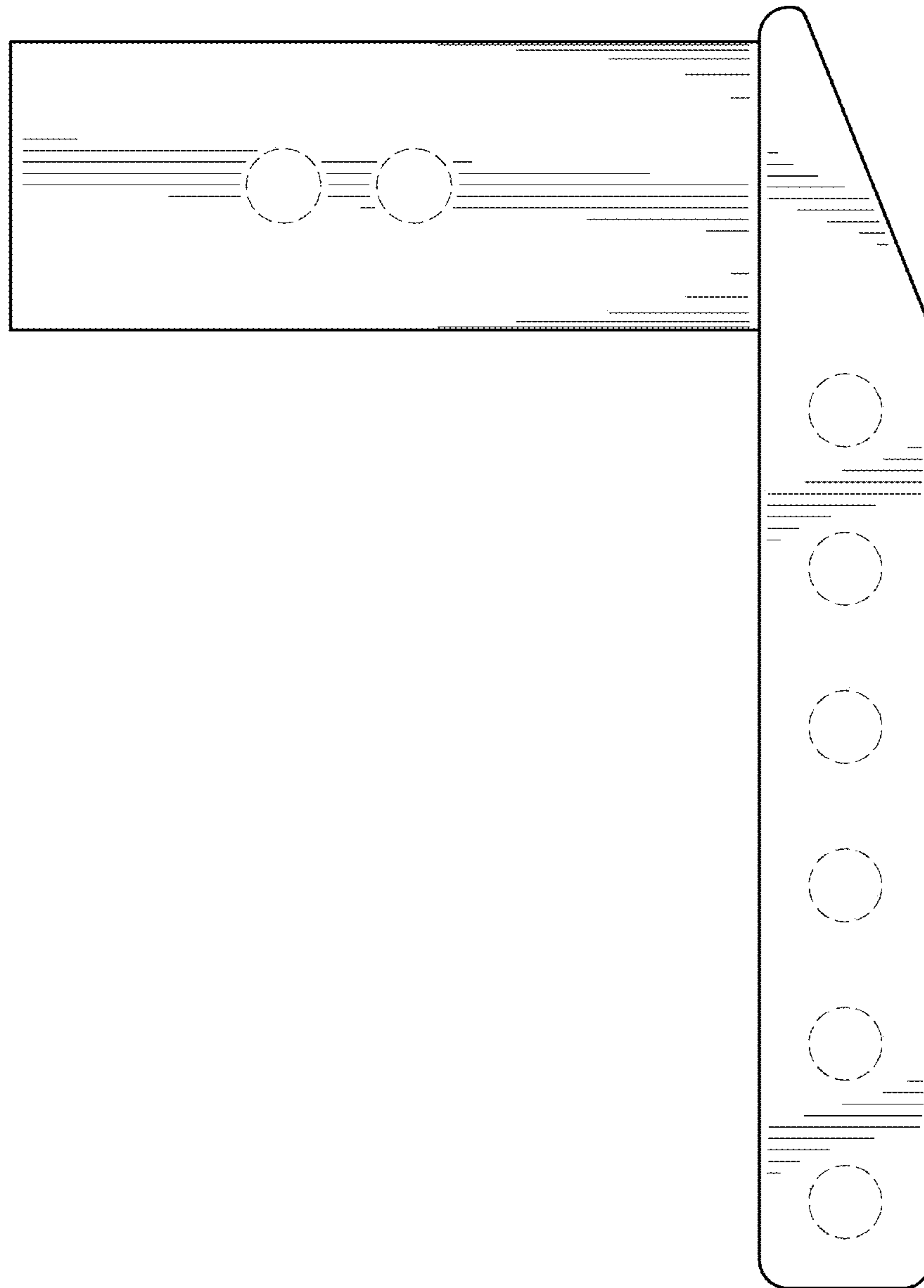


Fig. 3

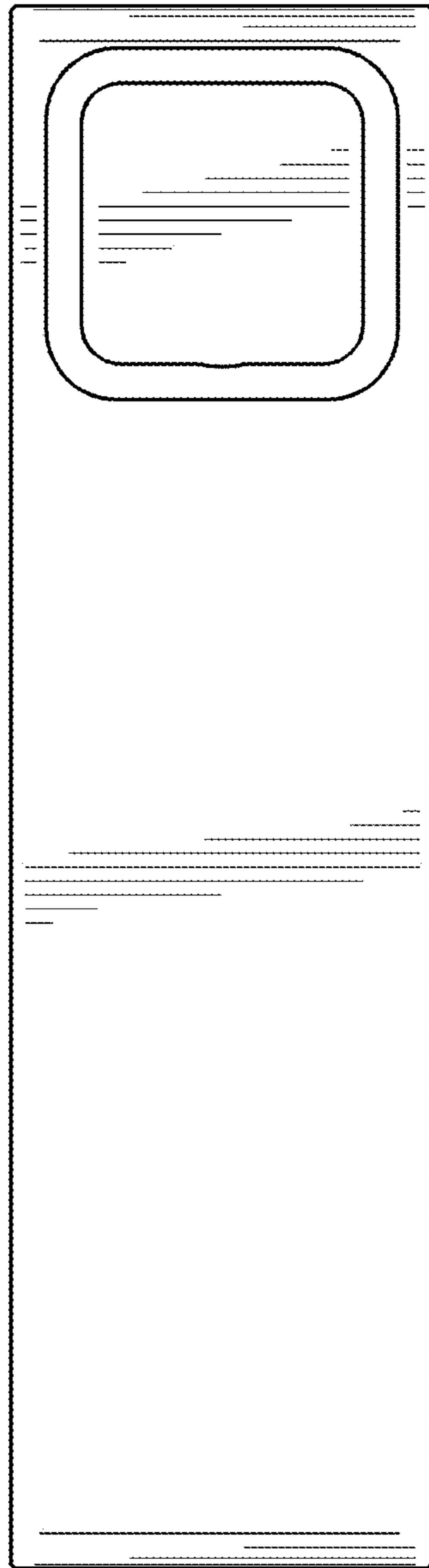


Fig. 4

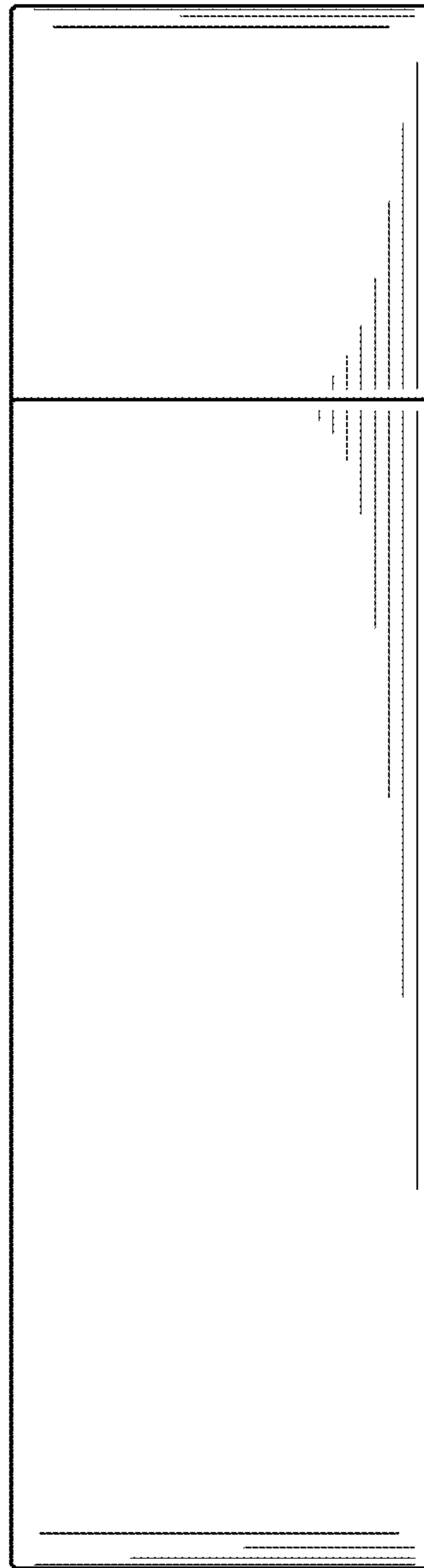


Fig. 5

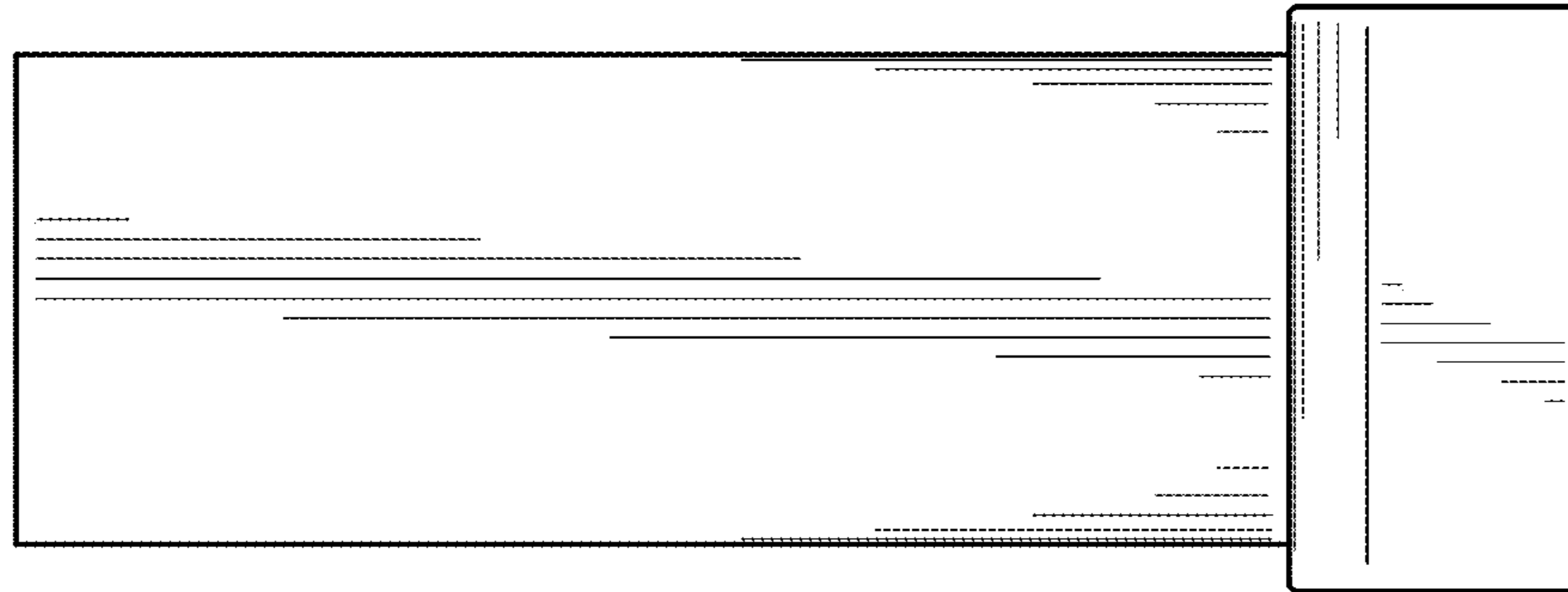


Fig. 6

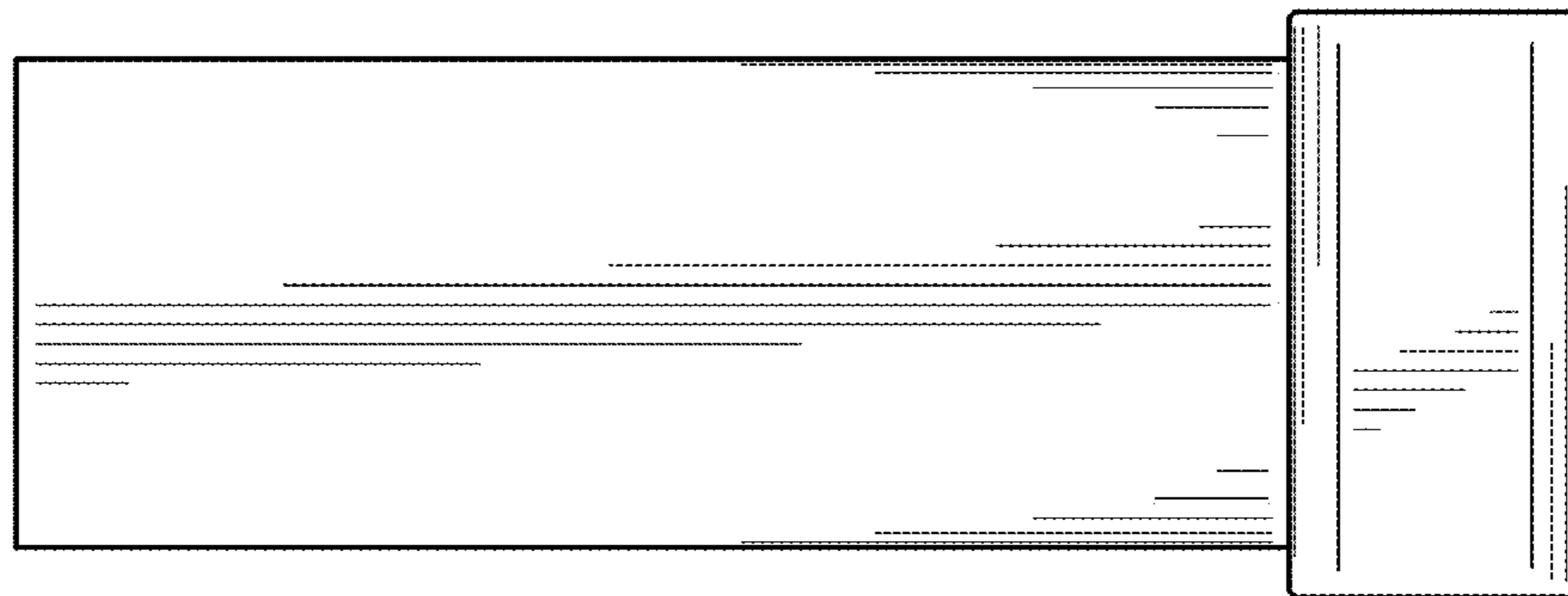


Fig. 7