

US00D934742S

(12) **United States Design Patent**  
**McCall**

(10) **Patent No.:** **US D934,742 S**

(45) **Date of Patent:** **\*\* Nov. 2, 2021**

(54) **DROP BAR FOR A TRAILER HITCH**

D923,521 S \* 6/2021 Works ..... D12/162  
D924,108 S \* 7/2021 Works ..... D12/162  
D926,088 S \* 7/2021 Hart ..... D12/162

(71) Applicant: **B & W Custom Truck Beds, Inc.**,  
Humboldt, KS (US)

(72) Inventor: **Travis M. McCall**, Humboldt, KS (US)

(73) Assignee: **B & W Custom Truck Beds, Inc.**,  
Humboldt, KS (US)

(\*\*) Term: **15 Years**

(21) Appl. No.: **29/706,372**

(22) Filed: **Sep. 19, 2019**

(51) **LOC (13) Cl.** ..... **12-16**

(52) **U.S. Cl.**  
USPC ..... **D12/162**

(58) **Field of Classification Search**  
USPC ..... D12/159-162  
CPC . B60D 1/60; B60D 1/065; B60D 1/00; B60D  
1/06; B60D 1/36; B62D 33/033  
See application file for complete search history.

(56) **References Cited**

**U.S. PATENT DOCUMENTS**

6,460,870	B2	10/2002	Moss	
6,712,381	B1	3/2004	Moss	
6,789,815	B2	9/2004	Moss	
6,974,148	B2	12/2005	Moss et al.	
7,004,492	B2	2/2006	Moss et al.	
7,029,022	B2	4/2006	Moss	
7,125,036	B2	10/2006	Moss et al.	
7,204,505	B2	4/2007	Moss	
7,819,416	B2	10/2010	Moss	
D894,800	S *	9/2020	Noel	D12/162
D909,922	S *	2/2021	Siegel	D12/162
D913,861	S *	3/2021	McCall	D12/162
D913,862	S *	3/2021	McCall	D12/162
D922,264	S *	6/2021	Han	D12/162
D922,265	S *	6/2021	Han	D12/162
D922,913	S *	6/2021	Works	D12/162
D922,914	S *	6/2021	Works	D12/162

**OTHER PUBLICATIONS**

Cequent Hitch Drop Bar photos; On sale prior to Sep. 18, 2018.  
Husky Liners Drop Bar photos; On sale prior to Sep. 18, 2018.  
Fastway Trailer Products Drop Bar photos; On sale prior to Sep. 18,  
2018.  
B & W Trailer Hitches Drop Bar photos; On sale prior to Sep. 18,  
2018.

(Continued)

*Primary Examiner* — Katrina A Betton

(74) *Attorney, Agent, or Firm* — Erickson Kernell IP,  
LLC; Kent R. Erickson

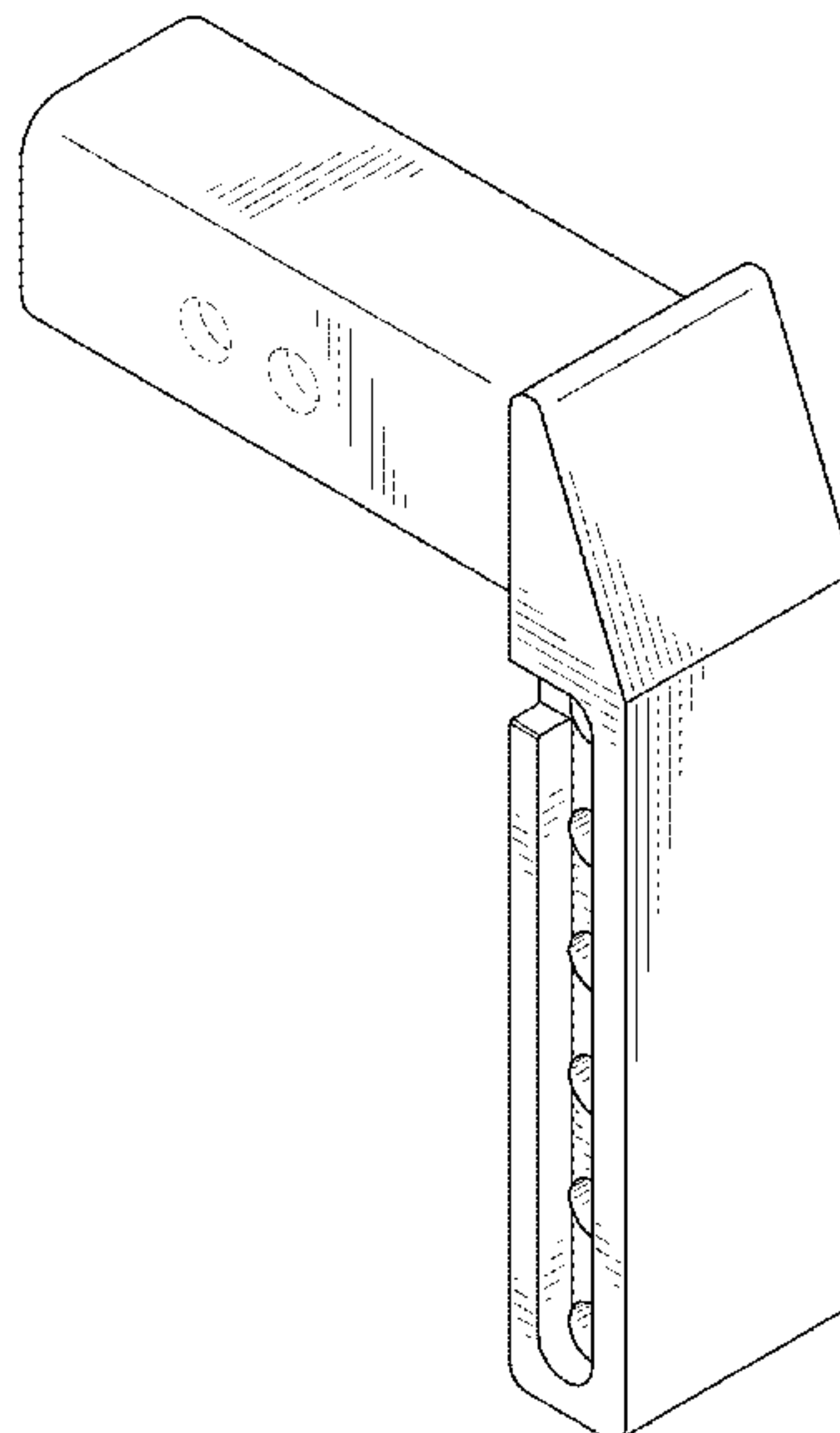
(57) **CLAIM**

The ornamental design for a drop bar for a trailer hitch, as  
shown and described.

**DESCRIPTION**

FIG. 1 is a front perspective view of a drop bar for a trailer  
hitch showing my new design in solid lines and showing in  
phantom lines an example of a hitch ball assembly securable  
to the drop bar to show the environment in which the design  
is associated;  
FIG. 2 is a perspective view thereof, similar to FIG. 1;  
FIG. 3 is a left-side, elevational view thereof, the right side  
being a mirror image thereof;  
FIG. 4 is a rear, elevational view thereof;  
FIG. 5 is a front elevational view thereof;  
FIG. 6 is a top, plan view thereof; and,  
FIG. 7 is a bottom, plan view thereof.  
The broken lines shown in the drawings illustrate portions of  
the drop bar that form no part of the claim.

**1 Claim, 5 Drawing Sheets**



(56)

**References Cited**

## OTHER PUBLICATIONS

Cequent Hitch Drop Bar photos; On sale prior to filing date of present application.

Husky Liners Drop Bar photos; On sale prior to filing date of present application.

Fastway Trailer Products Drop Bar photos; On sale prior to filing date of present application.

B & W Trailer Hitches Drop Bar photos; On sale prior to filing date of present application.

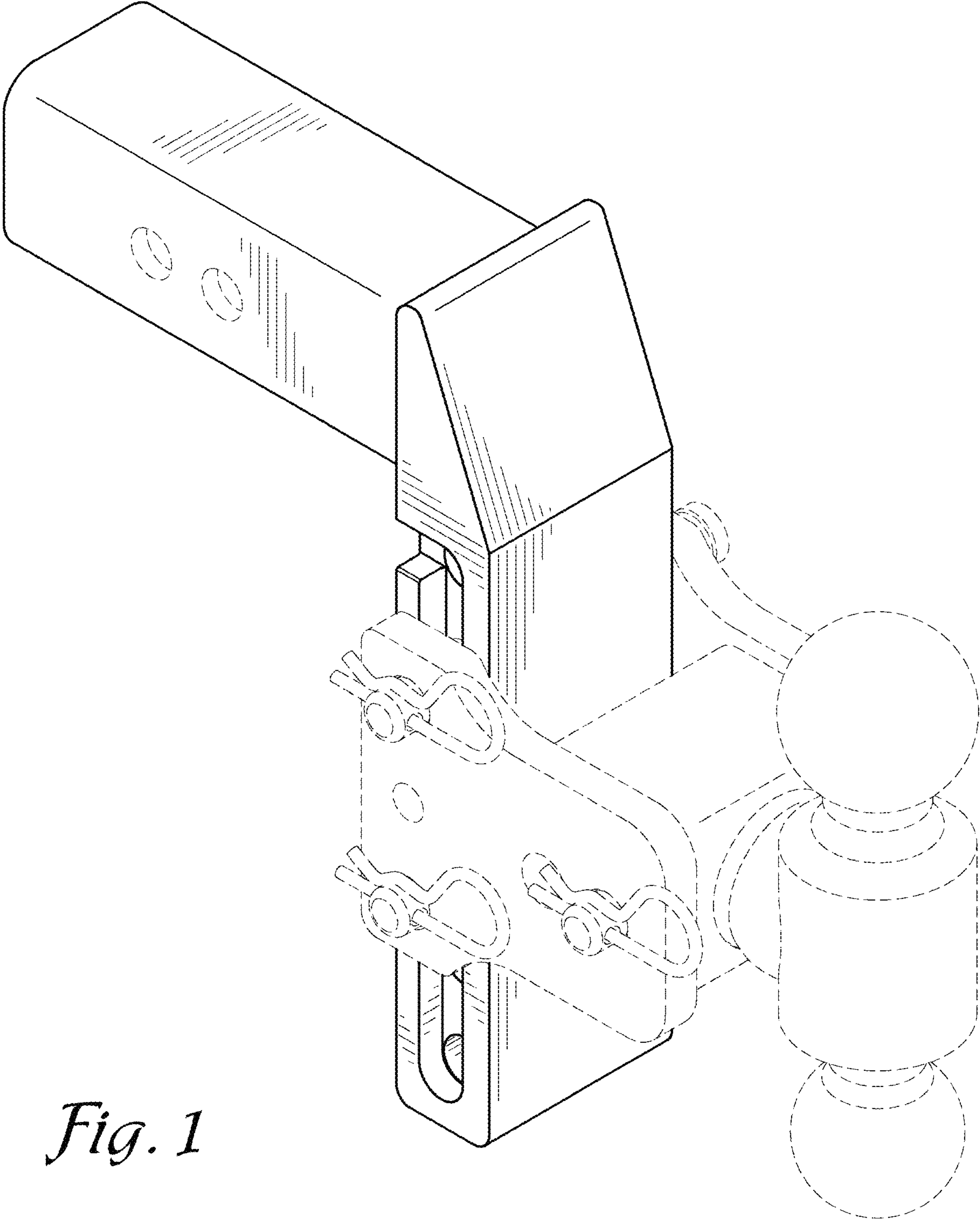
Photographs of admitted prior art: Cequent Hitch Drop Bar; On sale in the United States of America prior to Sep. 18, 2018 (See Exhibit A1 and A2). Sold by Cequent Performance Products, Inc.

Photographs of admitted prior art: Husky Liners Drop Bar; On sale in the United States of America prior to Sep. 18, 2018 (See Exhibit B1 and B2). Sold by Husky Liners, Inc. Currently offered for sale at [https://www.ebay.com/b/Husky-Liners-Car-Truck-Towing-Hauling/33653/bn\\_21008096](https://www.ebay.com/b/Husky-Liners-Car-Truck-Towing-Hauling/33653/bn_21008096).

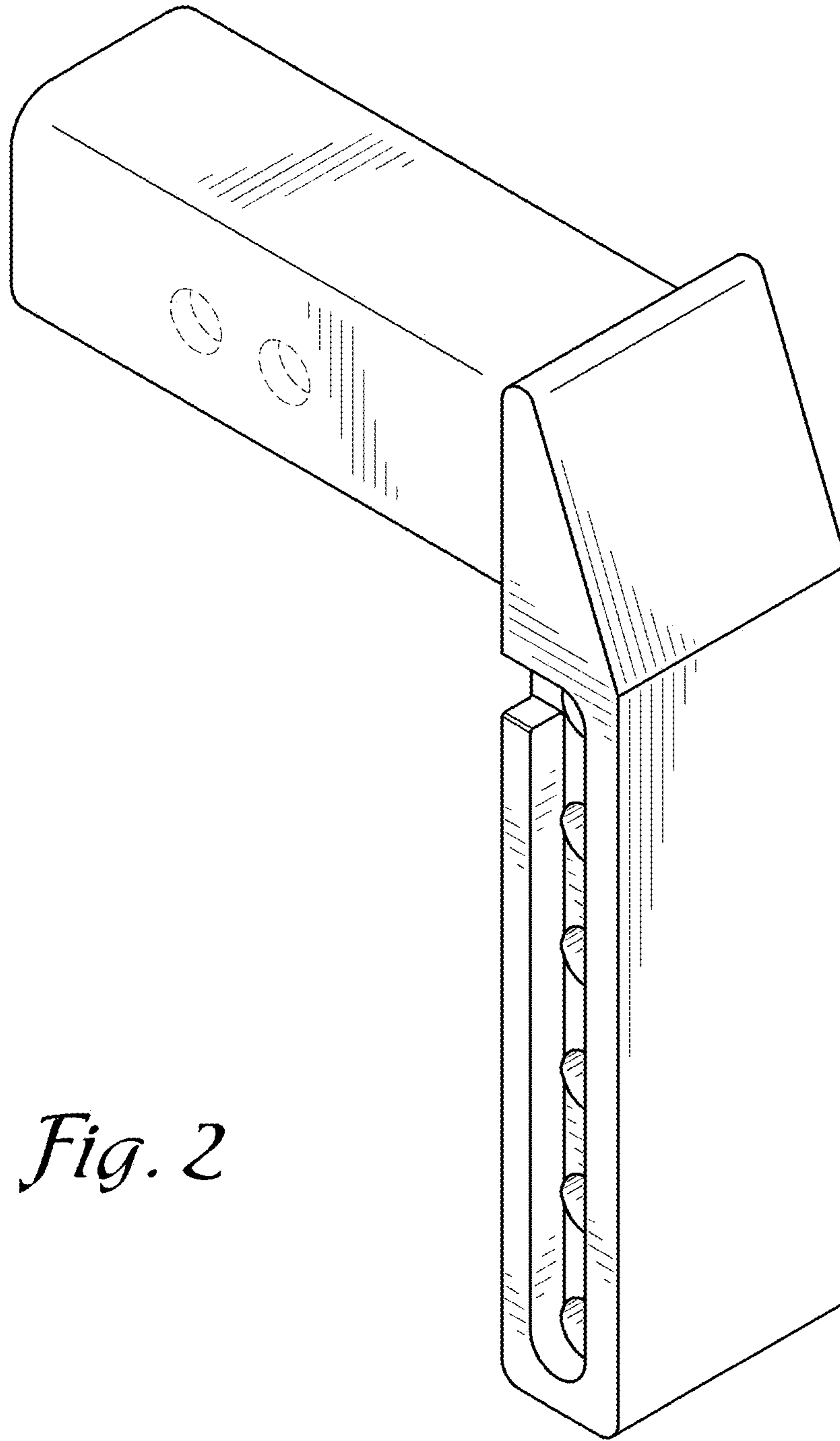
Photographs of admitted prior art: Fastway Trailer Products Drop Bar; On sale in the United States of America prior to Sep. 18, 2018 (See Exhibit C1 and C2). Sold by Progress Mfg. Inc. Currently offered for sale on etrailer.com at [https://www.etrailer.com/Trailer-Hitch-Ball-Mount/B-and-W/BWTS10048B.html?feed=npn&gclid=CjwKCAiAp4KCBhB6EiwAxRxbpIJQajVtrb81UekAFeyovn0mVhKgCJVIIjOjOyYVaKJ5V9kKN7sWluxoCep8QAvD\\_BwE](https://www.etrailer.com/Trailer-Hitch-Ball-Mount/B-and-W/BWTS10048B.html?feed=npn&gclid=CjwKCAiAp4KCBhB6EiwAxRxbpIJQajVtrb81UekAFeyovn0mVhKgCJVIIjOjOyYVaKJ5V9kKN7sWluxoCep8QAvD_BwE).

Photographs of admitted prior art: B & W Trailer Hitches Drop Bar; On sale in the United States of America prior to Sep. 18, 2018 (See Exhibit D1 and D2). Sold by B&W Custom Truck Beds, Inc. Currently offered for sale at [https://www.etrailer.com/Trailer-Hitch-Ball-Mount/B-and-W/BWTS10048B.html?feed=npn&gclid=CjwKCAiAp4KCBhB6EiwAxRxbpIJQajVtrb81UekAFeyovn0mVhKgCJVIIjOjOyYVaKJ5V9kKN7sWluxoCep8QAvD\\_BwE](https://www.etrailer.com/Trailer-Hitch-Ball-Mount/B-and-W/BWTS10048B.html?feed=npn&gclid=CjwKCAiAp4KCBhB6EiwAxRxbpIJQajVtrb81UekAFeyovn0mVhKgCJVIIjOjOyYVaKJ5V9kKN7sWluxoCep8QAvD_BwE).

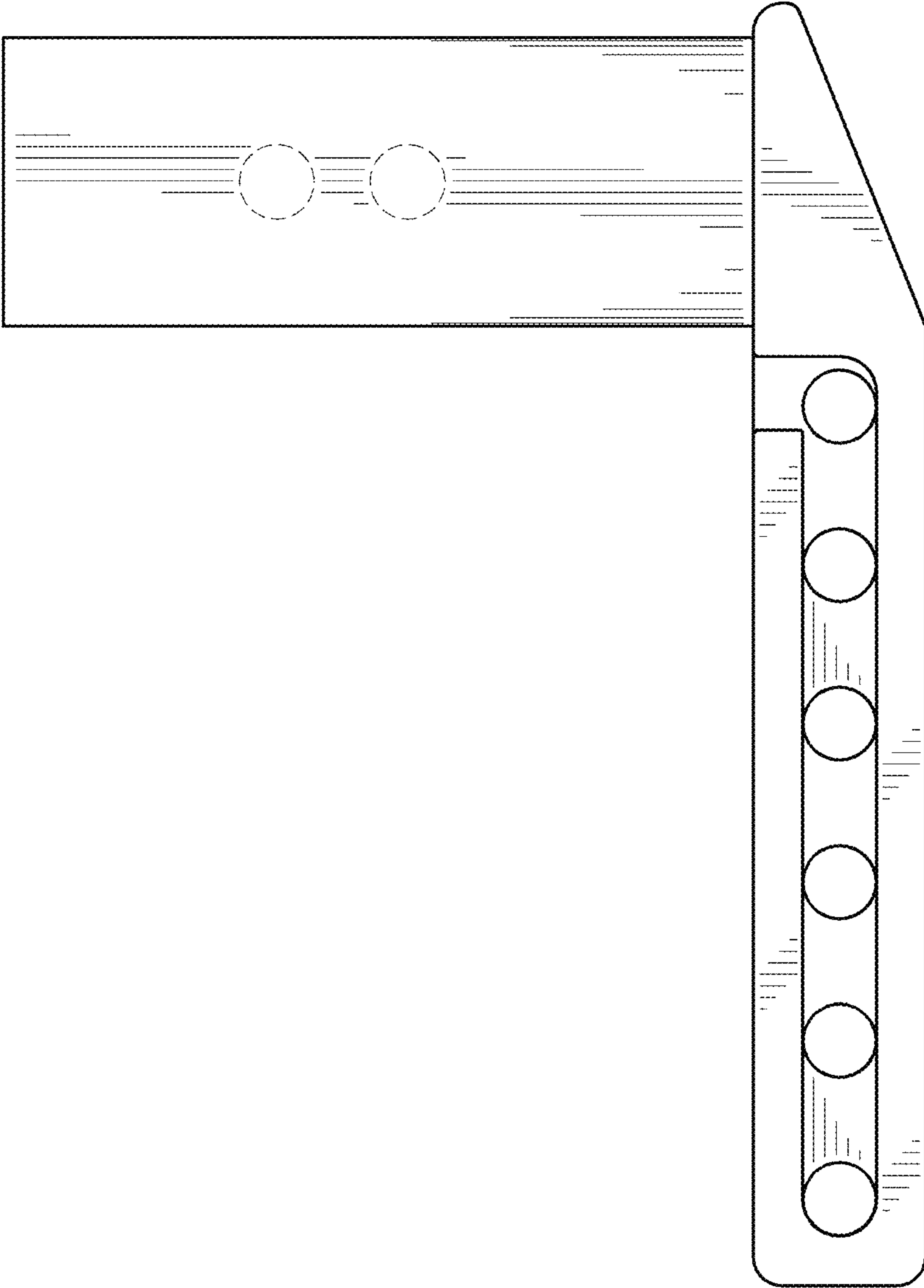
\* cited by examiner



*Fig. 1*

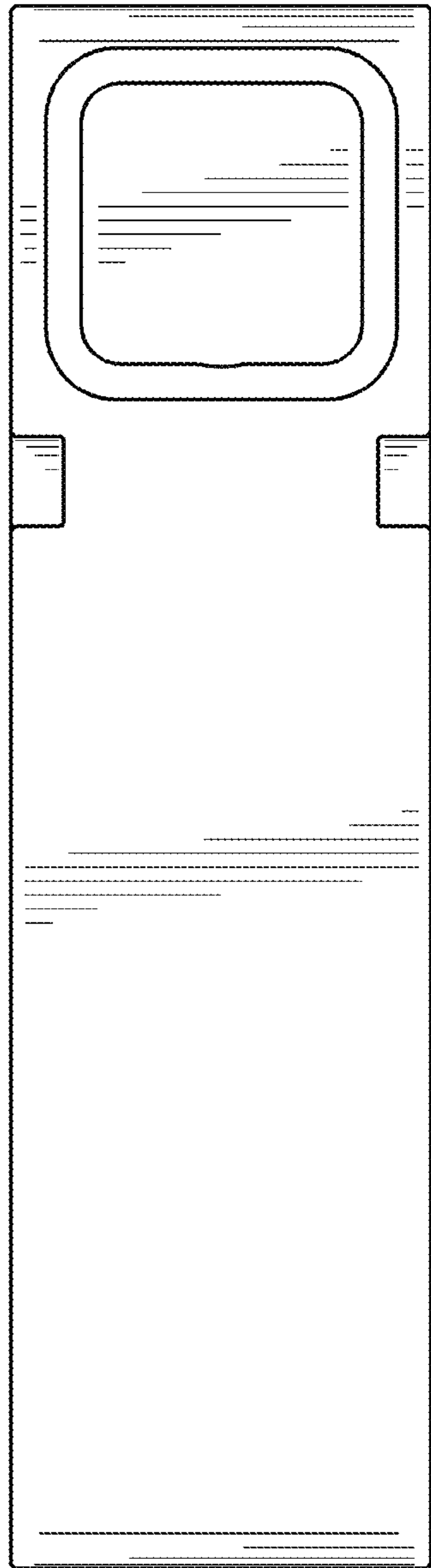


*Fig. 2*

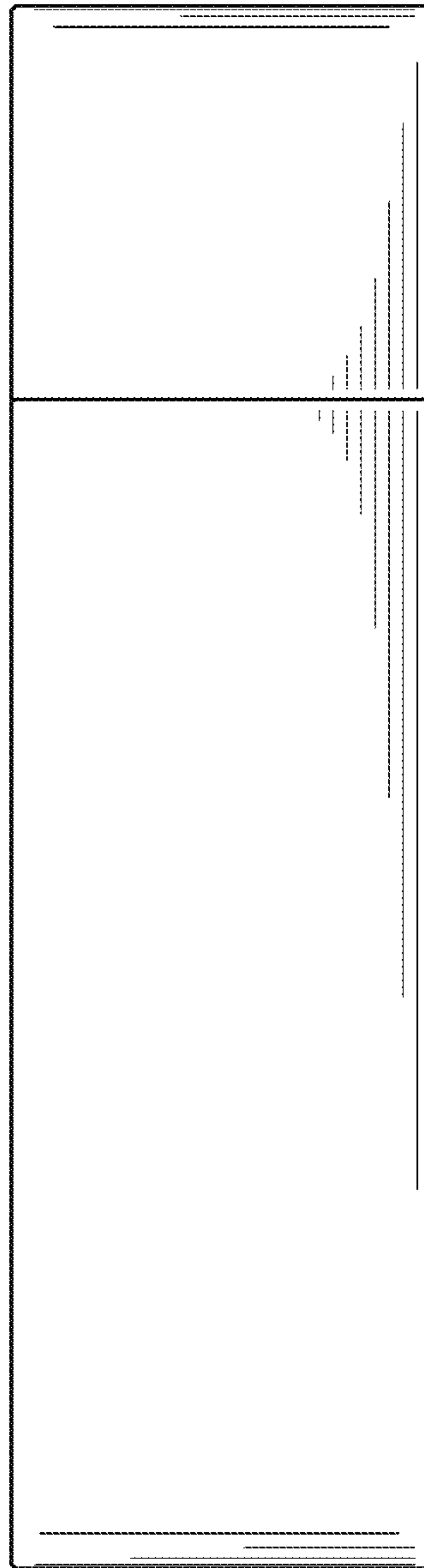


*Fig. 3*

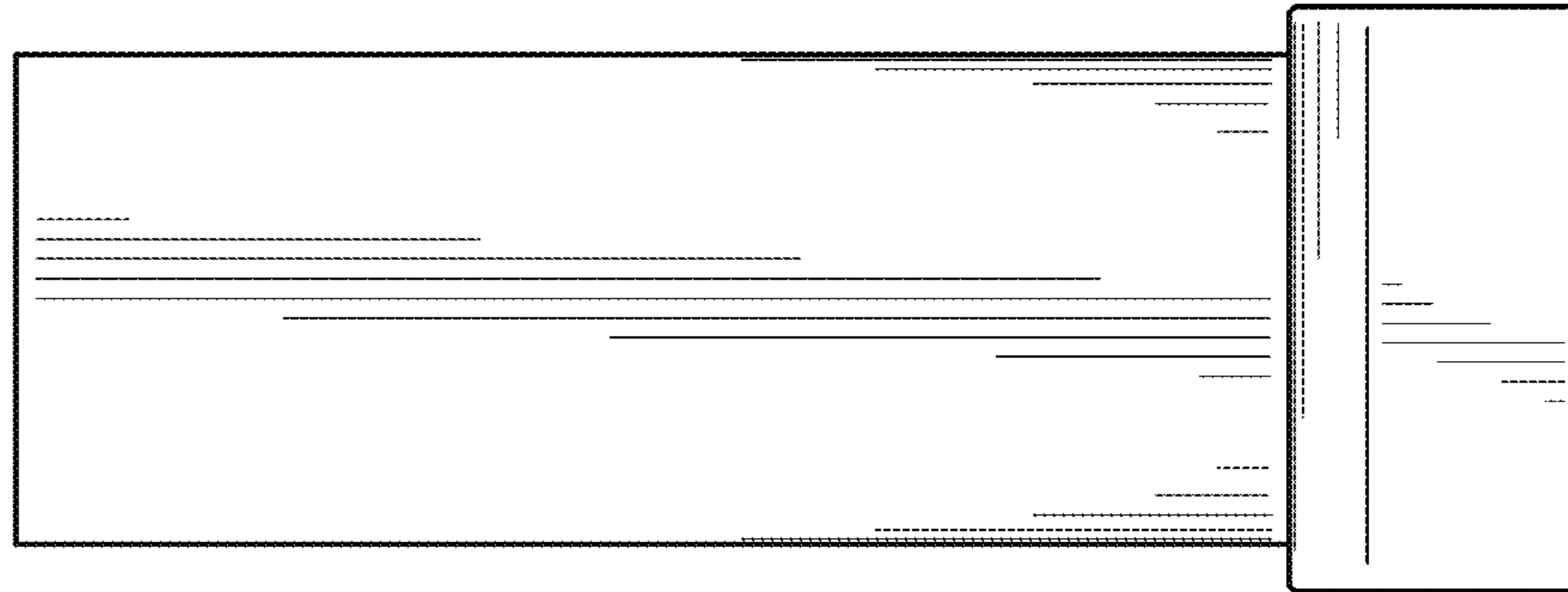




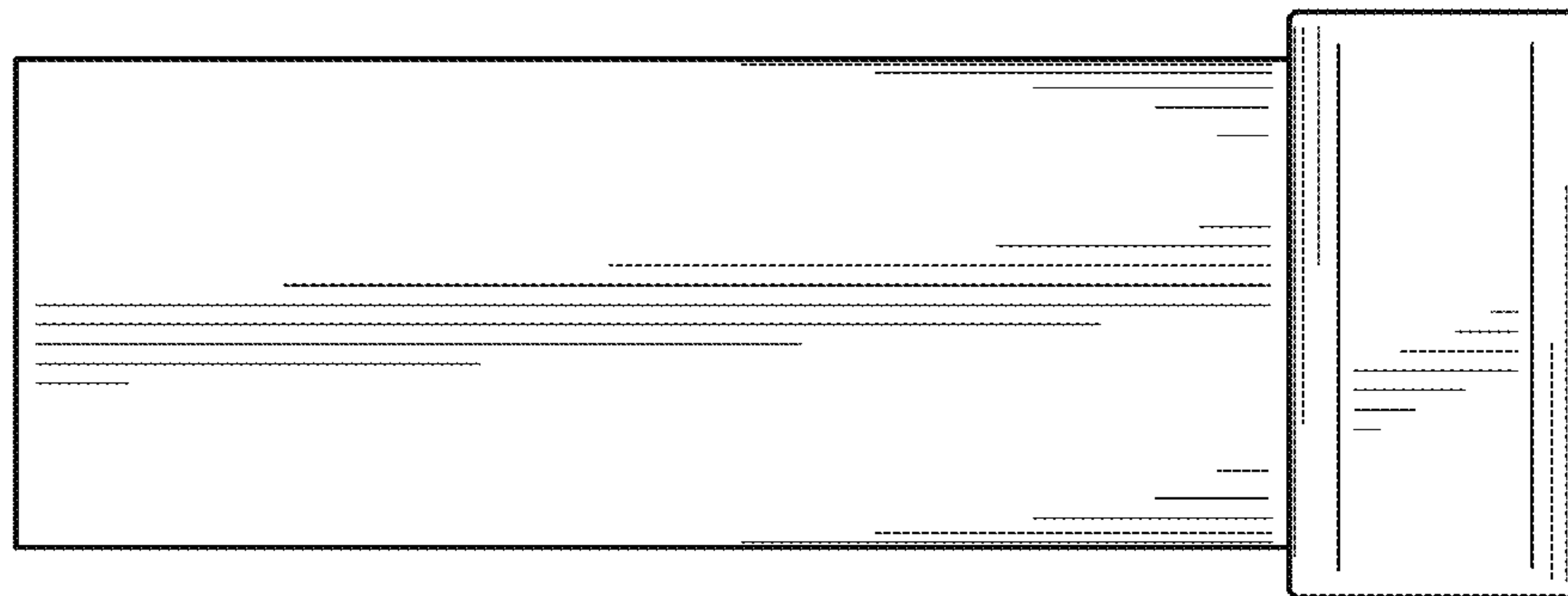
*Fig. 4*



*Fig. 5*



*Fig. 6*



*Fig. 7*