



US00D934741S

(12) **United States Design Patent** (10) **Patent No.:** **US D934,741 S**  
**Mueller et al.** (45) **Date of Patent:** **\*\* Nov. 2, 2021**

(54) **DROP BAR FOR A TRAILER HITCH**  
(71) Applicant: **B & W Custom Truck Beds, Inc.**,  
Humboldt, KS (US)  
(72) Inventors: **Michael D. Mueller**, Humboldt, KS  
(US); **Travis M. McCall**, Humboldt,  
KS (US)  
(73) Assignee: **B & W Custom Truck Beds, Inc.**,  
Humboldt, KS (US)  
(\*\*) Term: **15 Years**  
(21) Appl. No.: **29/706,369**  
(22) Filed: **Sep. 19, 2019**  
(51) **LOC (13) Cl.** ..... **12-16**  
(52) **U.S. Cl.**  
USPC ..... **D12/162**  
(58) **Field of Classification Search**  
USPC ..... D12/159-162  
CPC . B60D 1/60; B60D 1/065; B60D 1/00; B60D  
1/06; B60D 1/36; B62D 33/033  
See application file for complete search history.

D922,264 S \* 6/2021 Han ..... D12/162  
D922,265 S \* 6/2021 Han ..... D12/162  
D922,913 S \* 6/2021 Works ..... D12/162  
D922,914 S \* 6/2021 Works ..... D12/162  
D923,521 S \* 6/2021 Works ..... D12/162  
D924,108 S \* 7/2021 Works ..... D12/162  
D926,088 S \* 7/2021 Hart ..... D12/162

**OTHER PUBLICATIONS**

Cequent Hitch Drop Bar photos; On sale prior to filing date of present application, Sep. 19, 2018.

(Continued)

*Primary Examiner* — Katrina A Betton  
(74) *Attorney, Agent, or Firm* — Erickson Kernell IP, LLC; Kent R. Erickson

(57) **CLAIM**

The ornamental design for a drop bar for a trailer hitch, as shown and described.

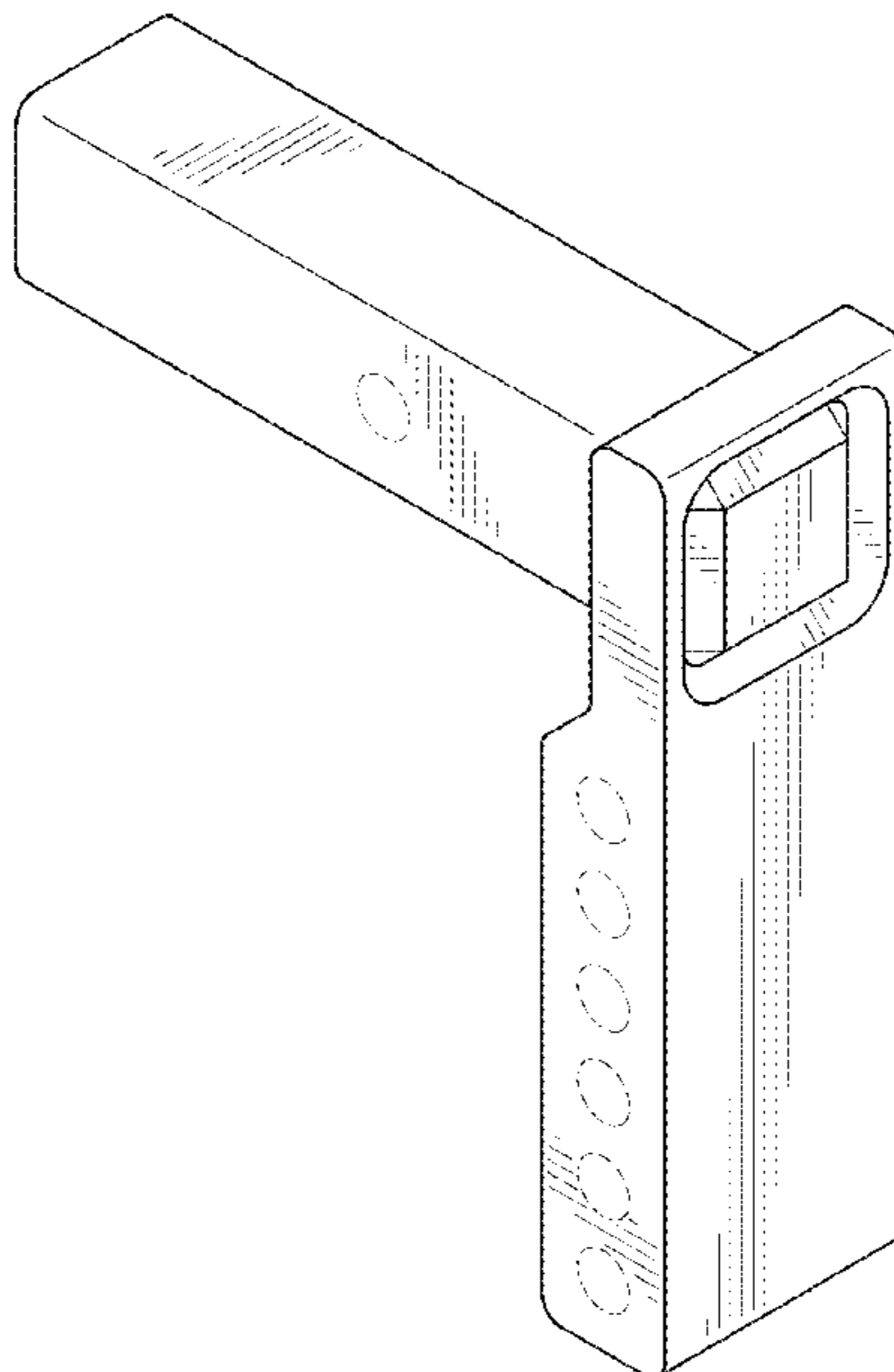
**DESCRIPTION**

FIG. 1 is a front perspective view of a drop bar for a trailer hitch showing our new design in solid lines and showing in phantom lines an example of a hitch ball assembly securable to the drop bar to show the environment in which the design is associated;

FIG. 2 is a perspective view thereof, similar to FIG. 1;  
FIG. 3 is a rear perspective view thereof;  
FIG. 4 is a left side, elevational view thereof, the right side being a mirror image thereof;  
FIG. 5 is a rear, elevational view thereof;  
FIG. 6 is a front, elevational view thereof;  
FIG. 7 is a top, plan view thereof; and,  
FIG. 8 is a bottom, plan view thereof.  
The broken lines shown in the drawings illustrate portions of the drop bar that form no part of the claim.

**1 Claim, 6 Drawing Sheets**

(56) **References Cited**  
U.S. PATENT DOCUMENTS  
6,460,870 B2 10/2002 Moss  
6,712,381 B1 3/2004 Moss  
6,789,815 B2 9/2004 Moss  
6,974,148 B2 12/2005 Moss et al.  
7,004,492 B2 2/2006 Moss et al.  
7,029,022 B2 4/2006 Moss  
7,125,036 B2 10/2006 Moss et al.  
7,204,505 B2 4/2007 Moss  
7,819,416 B2 10/2010 Moss  
D894,800 S \* 9/2020 Noel ..... D12/162  
D909,922 S \* 2/2021 Siegel ..... D12/162  
D913,861 S \* 3/2021 McCall ..... D12/162  
D913,862 S \* 3/2021 McCall ..... D12/162



(56)

**References Cited**

OTHER PUBLICATIONS

Husky Liners Drop Bar photos; On sale prior to filing date of present application, Sep. 19, 2018.

Fastway Trailer Products Drop Bar photos; On sale prior to filing date of present application, Sep. 19, 2019.

B & W Trailer Hitches Drop Bar photos; On sale prior to filing date of present application, Sep. 19, 2019.

Cequent Hitch Drop Bar photos; On sale prior to Sep. 18, 2018.

Husky Liners Drop Bar photos; On sale prior to Sep. 18, 2018.

Fastway Trailer Products Drop Bar photos; On sale prior to Sep. 18, 2018.

B & W Trailer Hitches Drop Bar photos; On sale prior to Sep. 18, 2018.

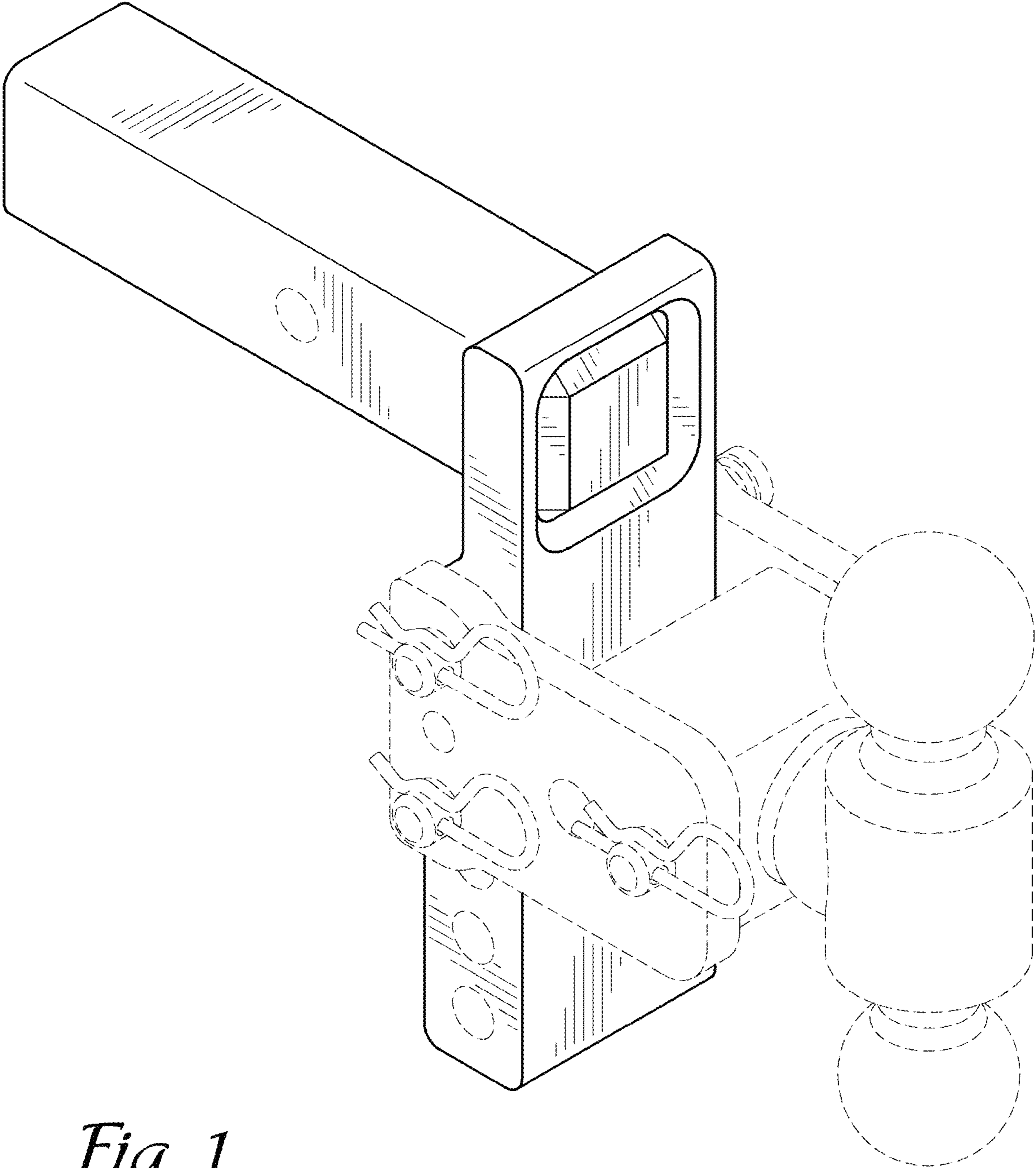
Photographs: Cequent Hitch Drop Bar; On sale in the United States of America prior to Sep. 18, 2018 (See Exhibit A1 and A2). Sold by Cequent Performance Products, Inc.

Photographs: Husky Liners Drop Bar; On sale in the United States of America prior to Sep. 18, 2018 (See Exhibit B1 and B2). Sold by Husky Liners, Inc. Currently offered for sale at [https://www.ebay.com/b/Husky-Liners-Car-Truck-Towing-Hauling/33653/bn\\_21008096](https://www.ebay.com/b/Husky-Liners-Car-Truck-Towing-Hauling/33653/bn_21008096).

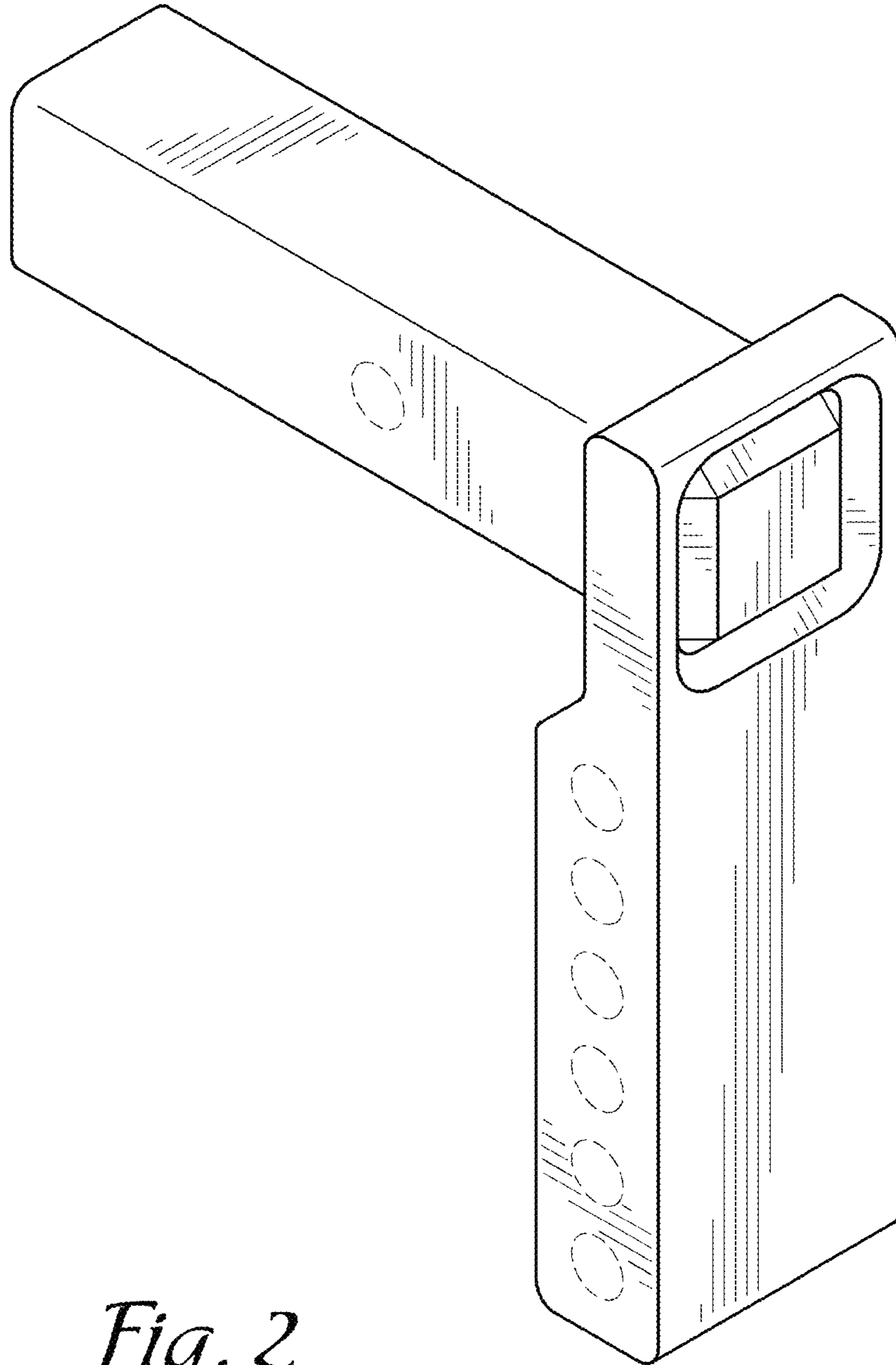
Photographs: Fastway Trailer Products Drop Bar; On sale in the United States of America prior to Sep. 18, 2018 (See Exhibit C1 and C2). Sold by Progress Mfg. Inc. Currently offered for sale on etrailer.com at [https://www.etrailer.com/Trailer-Hitch-Ball-Mount/B-and-W/BWTS10048B.html?feed=npn&gclid=CjwKCAiAp4KC BhB6EiwAxRxbplJQAJVtrb81UekAFeyovn0mVhKgCJVIIjOjYyVaKJ5V9kKN7sWluxoCep8QAvD\\_BwE](https://www.etrailer.com/Trailer-Hitch-Ball-Mount/B-and-W/BWTS10048B.html?feed=npn&gclid=CjwKCAiAp4KC BhB6EiwAxRxbplJQAJVtrb81UekAFeyovn0mVhKgCJVIIjOjYyVaKJ5V9kKN7sWluxoCep8QAvD_BwE).

Photographs: B & W Trailer Hitches Drop Bar; On sale in the United States of America prior to Sep. 18, 2018 (See Exhibit D1 and D2). Sold by B&W Custom Truck Beds, Inc. Currently offered for sale at [https://www.etrailer.com/Trailer-Hitch-Ball-Mount/B-and-W/BWTS10048B.html?feed=npn&gclid=CjwKCAiAp4KCBhB6EiwAxRxbplJQAJVtrb81UekAFeyovn0mVhKgCJVIIjOjYyVaKJ5V9kKN7sWluxoCep8QAvD\\_BwE](https://www.etrailer.com/Trailer-Hitch-Ball-Mount/B-and-W/BWTS10048B.html?feed=npn&gclid=CjwKCAiAp4KCBhB6EiwAxRxbplJQAJVtrb81UekAFeyovn0mVhKgCJVIIjOjYyVaKJ5V9kKN7sWluxoCep8QAvD_BwE).

\* cited by examiner

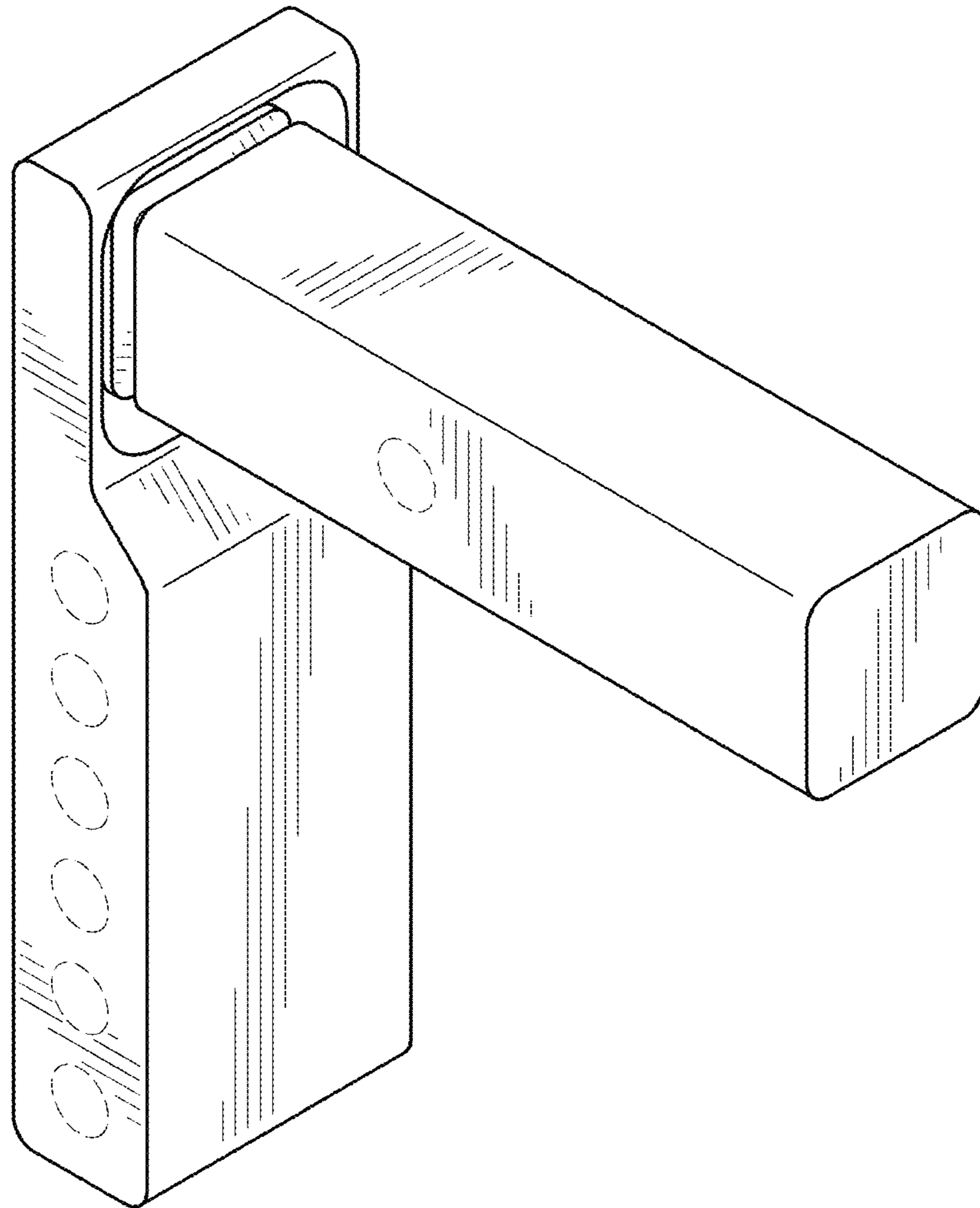


*Fig. 1*

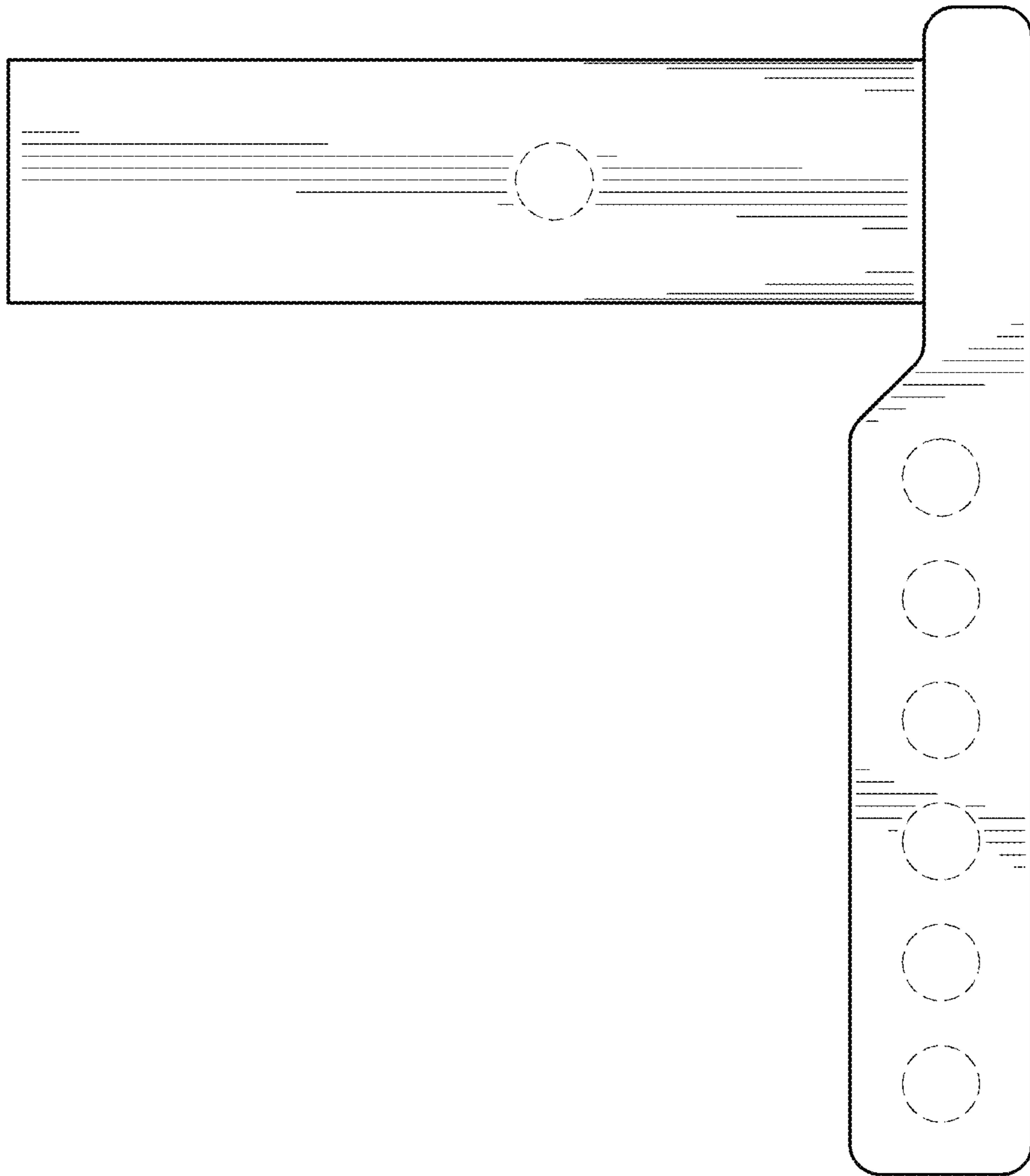


*Fig. 2*

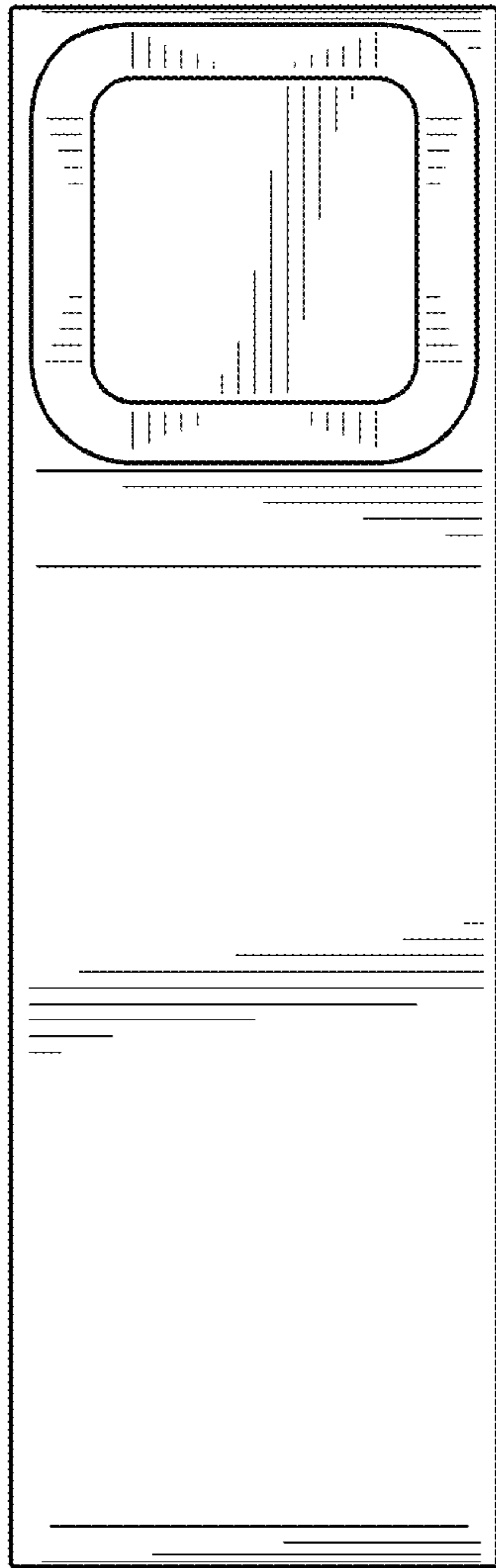




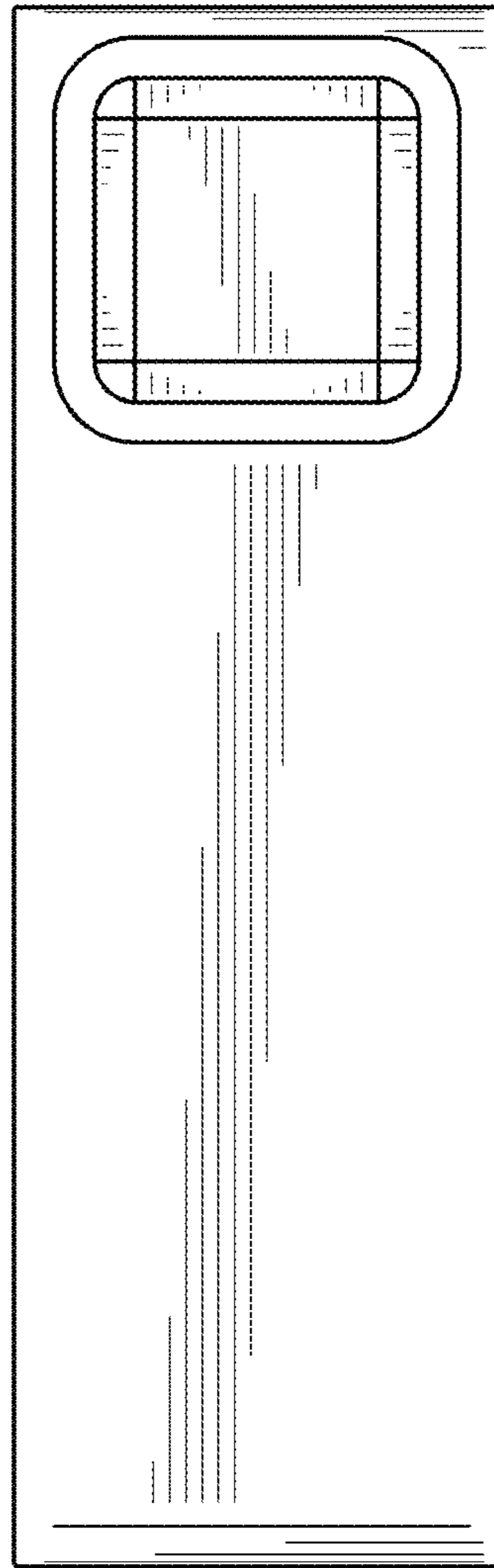
*Fig. 3*



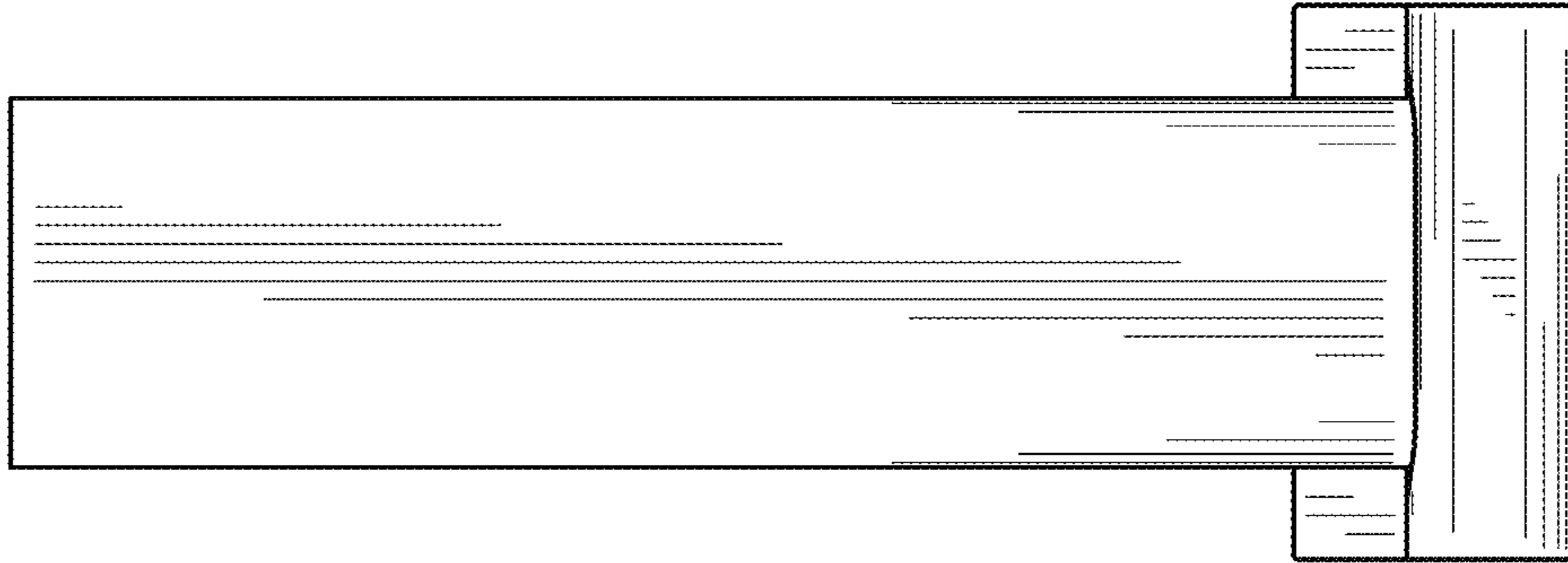
*Fig. 4*



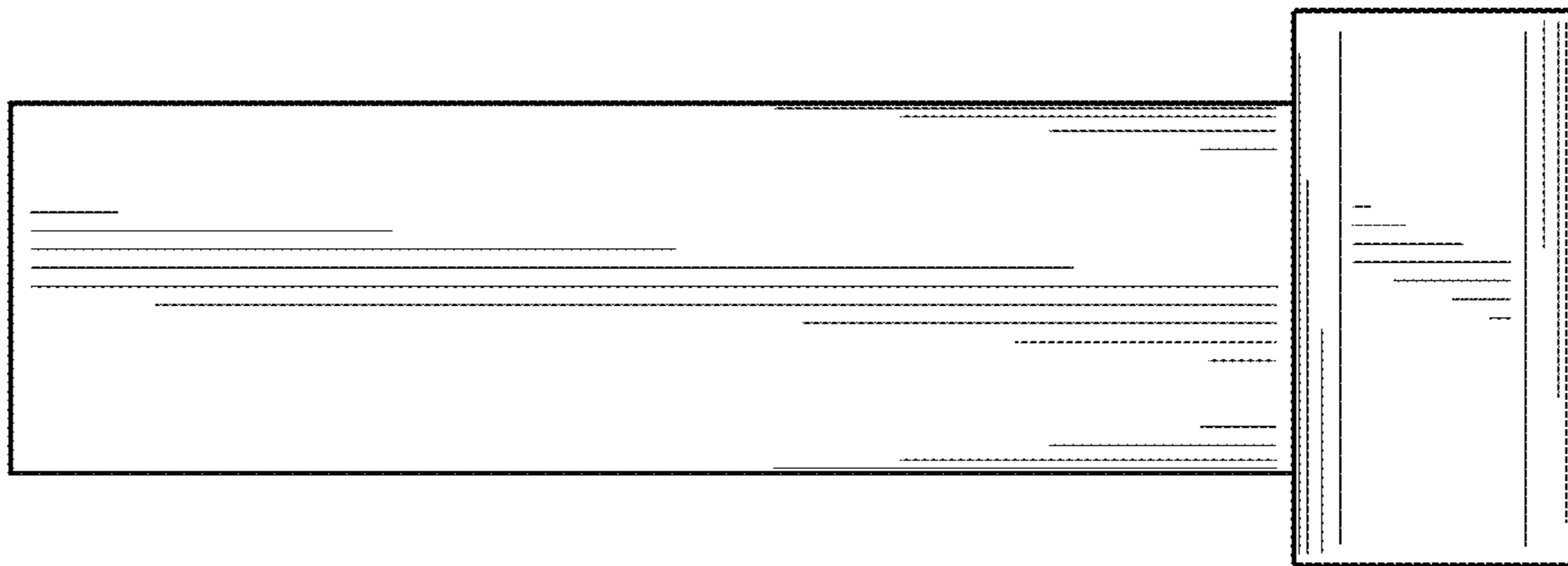
*Fig. 5*



*Fig. 6*



*Fig. 7*



*Fig. 8*