

US00D934737S

(12) **United States Design Patent** (10) **Patent No.:** **US D934,737 S**  
**Chambers et al.** (45) **Date of Patent:** **\*\* Nov. 2, 2021**

(54) **POWERED MOTORBIKE** D920,854 S \* 6/2021 Chambers ..... D12/118  
D921,539 S \* 6/2021 Chambers ..... D12/117  
(71) Applicant: **Super73, Inc.**, Irvine, CA (US) D921,541 S \* 6/2021 Chambers ..... D12/118

(72) Inventors: **Ian Chambers**, Irvine, CA (US);  
**Legrand Crewse**, Irvine, CA (US)

(73) Assignee: **Super73, Inc.**, Irvine, CA (US)

(\*\*) Term: **15 Years**

(21) Appl. No.: **29/722,008**

(22) Filed: **Jan. 24, 2020**

(51) **LOC (13) Cl.** ..... **12-11**

(52) **U.S. Cl.**  
USPC ..... **D12/110; D12/111**

(58) **Field of Classification Search**  
USPC ..... D12/110, 111, 114, 117; D21/432, 538  
CPC ..... B62K 11/00; B62K 11/02; B62K 11/04;  
B62K 11/10; B62K 17/00; B62K 19/00;  
B62K 2202/00

See application file for complete search history.

(56) **References Cited**

**U.S. PATENT DOCUMENTS**

D281,615 S *	12/1985	Barbato	.....	D12/110
D485,789 S *	1/2004	Lai	.....	D12/111
D643,783 S *	8/2011	Thackery	.....	D12/110
D645,791 S *	9/2011	Lee	.....	D12/110
D650,724 S *	12/2011	Chiang	.....	D12/111
D803,103 S *	11/2017	Clyde	.....	D12/110
D815,991 S *	4/2018	Clyde	.....	D12/110
D833,333 S *	11/2018	Yu	.....	D12/111
D909,920 S *	2/2021	Zhu	.....	D12/111
D910,496 S *	2/2021	Zhu	.....	D12/111
D915,244 S *	4/2021	Chen	.....	D12/111
D918,095 S *	5/2021	Chambers	.....	D12/118
D920,848 S *	6/2021	Kuehne	.....	D12/110

**OTHER PUBLICATIONS**

“SUPER73-Z1” SUPER73., posted date Feb. 3, 2019 [online], [retrieved on Jun. 16, 2021]. Retrieved from the Internet <<https://super73.com/collections/all-bikes/products/super73-z1-1>> (Year: 2019).\*  
“Super73-Z1 Jett Black Electric Motorbike” SUPER73., posted date Oct. 21, 2019 [online], [retrieved on Jun. 16, 2021]. Retrieved from the Internet <<https://www.amazon.com/dp/B07ZDL64Z1>> (Year: 2019).\*

(Continued)

*Primary Examiner* — Darlington Ly

*Assistant Examiner* — Nasim Abdulaziz Ali

(74) *Attorney, Agent, or Firm* — Stradling Yocca Carlson & Rauth

(57) **CLAIM**

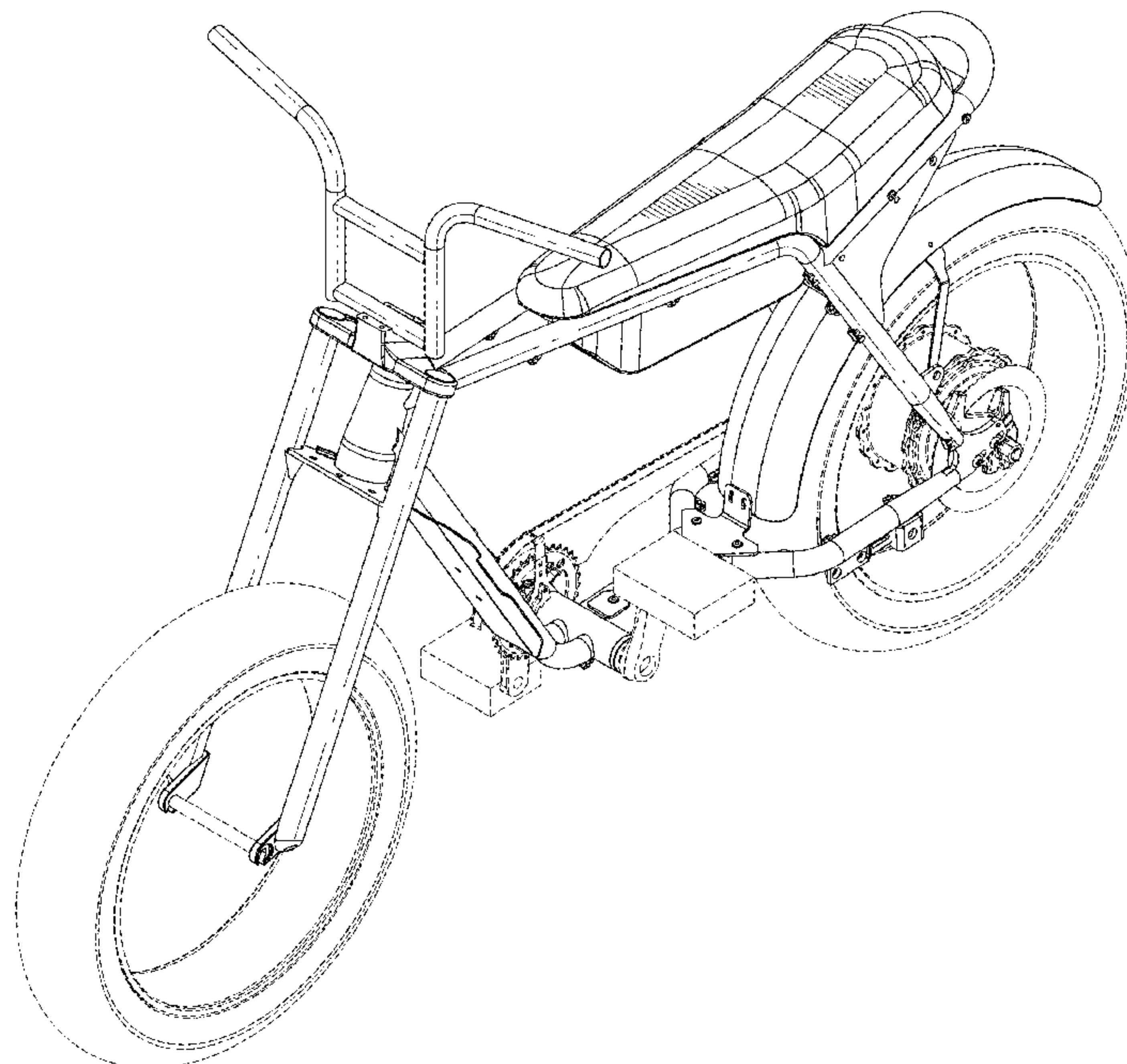
The ornamental design for a powered motorbike, as shown and described.

**DESCRIPTION**

FIG. 1 is a top, front, and left side perspective view of a powered motorbike embodying our new design;  
FIG. 2 is a top, rear, and right side perspective view thereof;  
FIG. 3 is a left side elevation view thereof;  
FIG. 4 is a right side elevation view thereof;  
FIG. 5 is a front elevation view thereof;  
FIG. 6 is a rear elevation view thereof;  
FIG. 7 is a top plan view thereof; and,  
FIG. 8 is a bottom plan view thereof.

The broken lines in the drawings illustrate portions of the powered motorbike that form no part of the claimed design.

**1 Claim, 8 Drawing Sheets**



(56)

**References Cited**

OTHER PUBLICATIONS

“Super73 Z1 e-bike review” electrek.co., posted date Apr. 6, 2020 [online], [retrieved on Jun. 16, 2021]. Retrieved from the Internet <<https://electrek.co/2020/04/06/super73-z1-e-bike-review-cheapest-e-bike-moped-minibike/>> (Year: 2020).\*

<https://www.amazon.co.jp/Super-73-%E3%82%B9%E3%83%BC%E3%83%91%E3%83%BC73-Z1%E3%80%82/dp/B0>, May 2018.

<https://www.amazon.co.jp/Super-73-%E3%82%B9%E3%83%BC%E3%83%91%E3%83%BC73-Z1%E3%80%82/dp/B081JK987R>, May 2018.

<https://super73.com/products/super73-z1-1>, May 2018.

\* cited by examiner

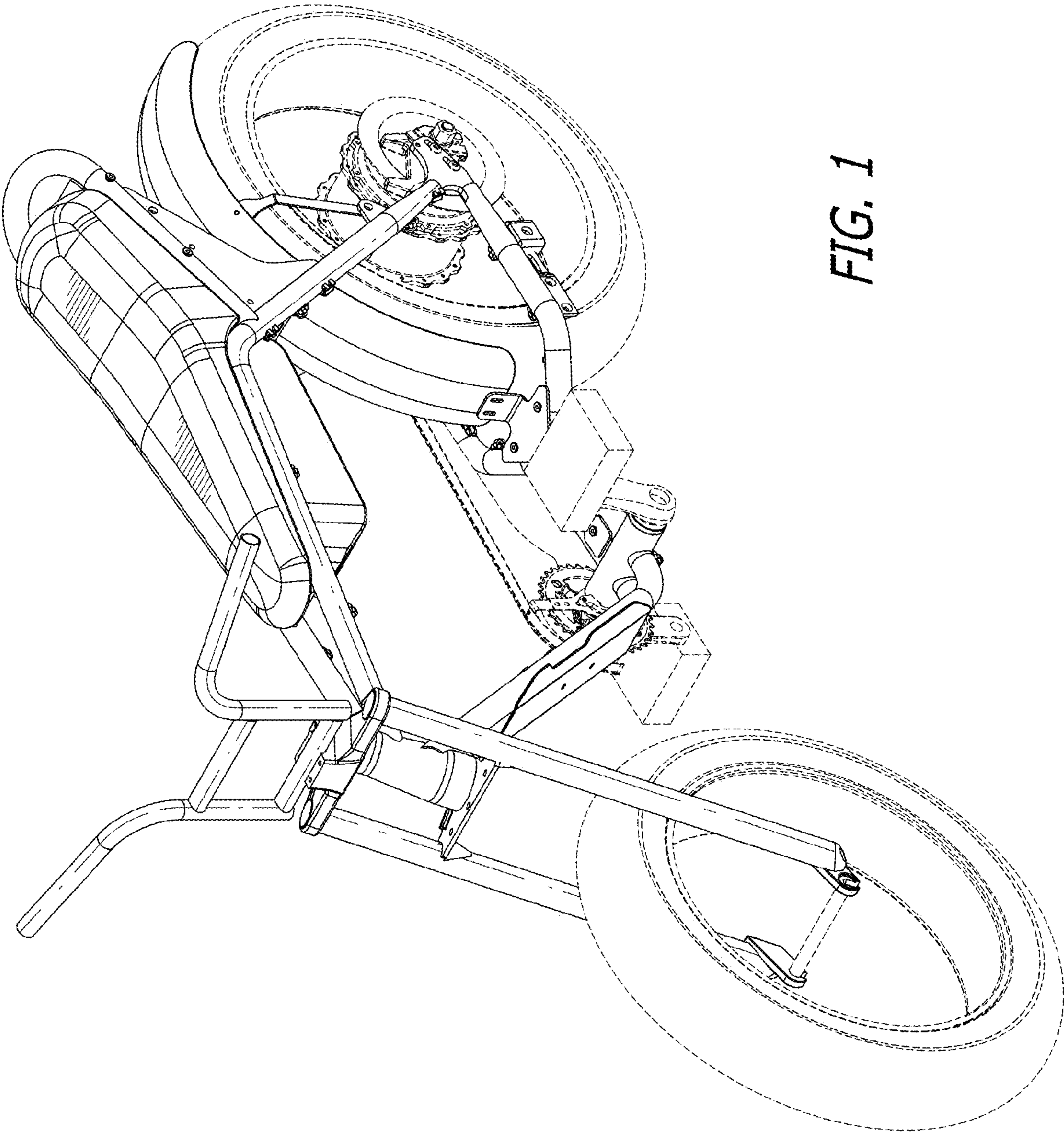


FIG. 1



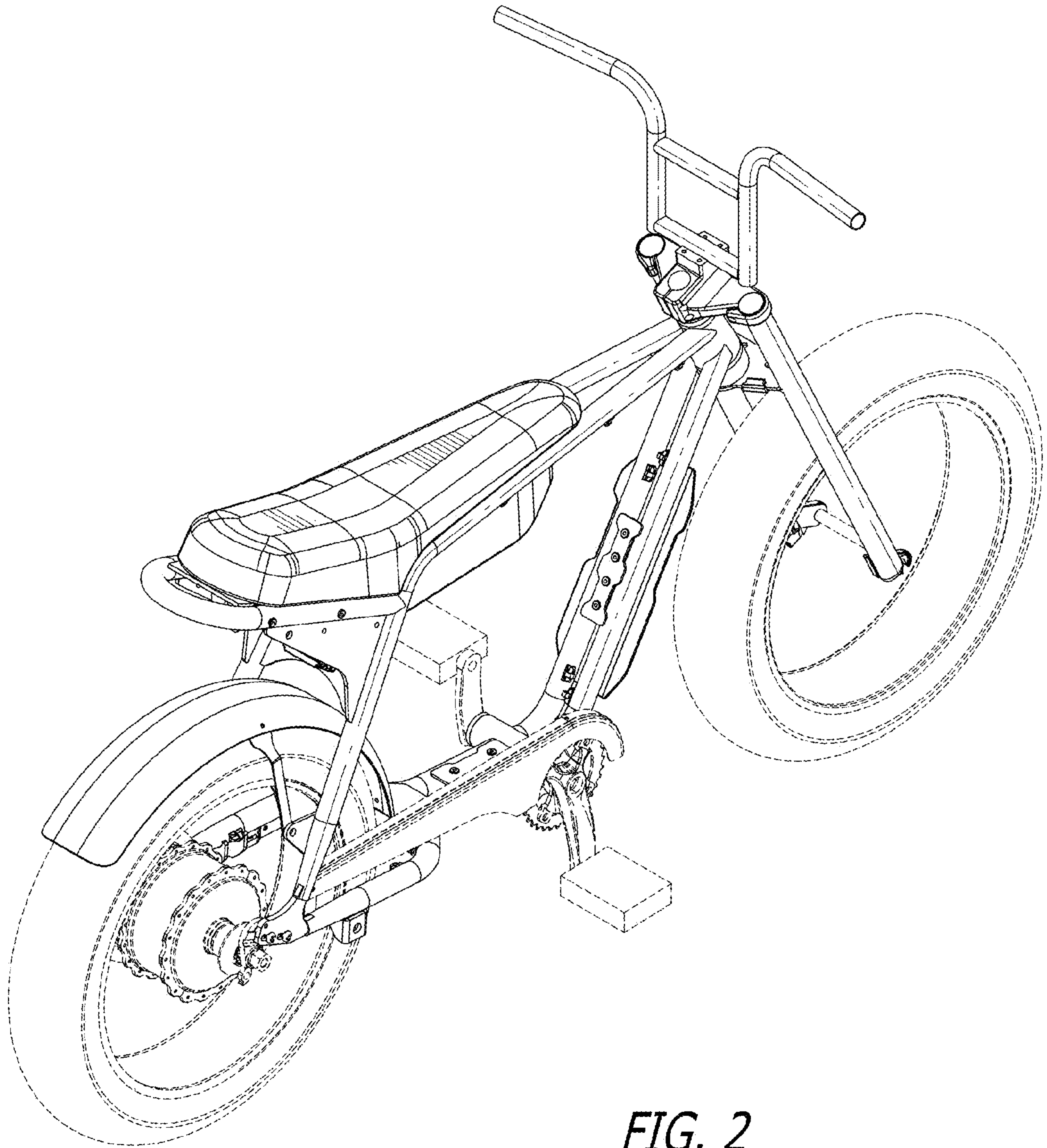


FIG. 2

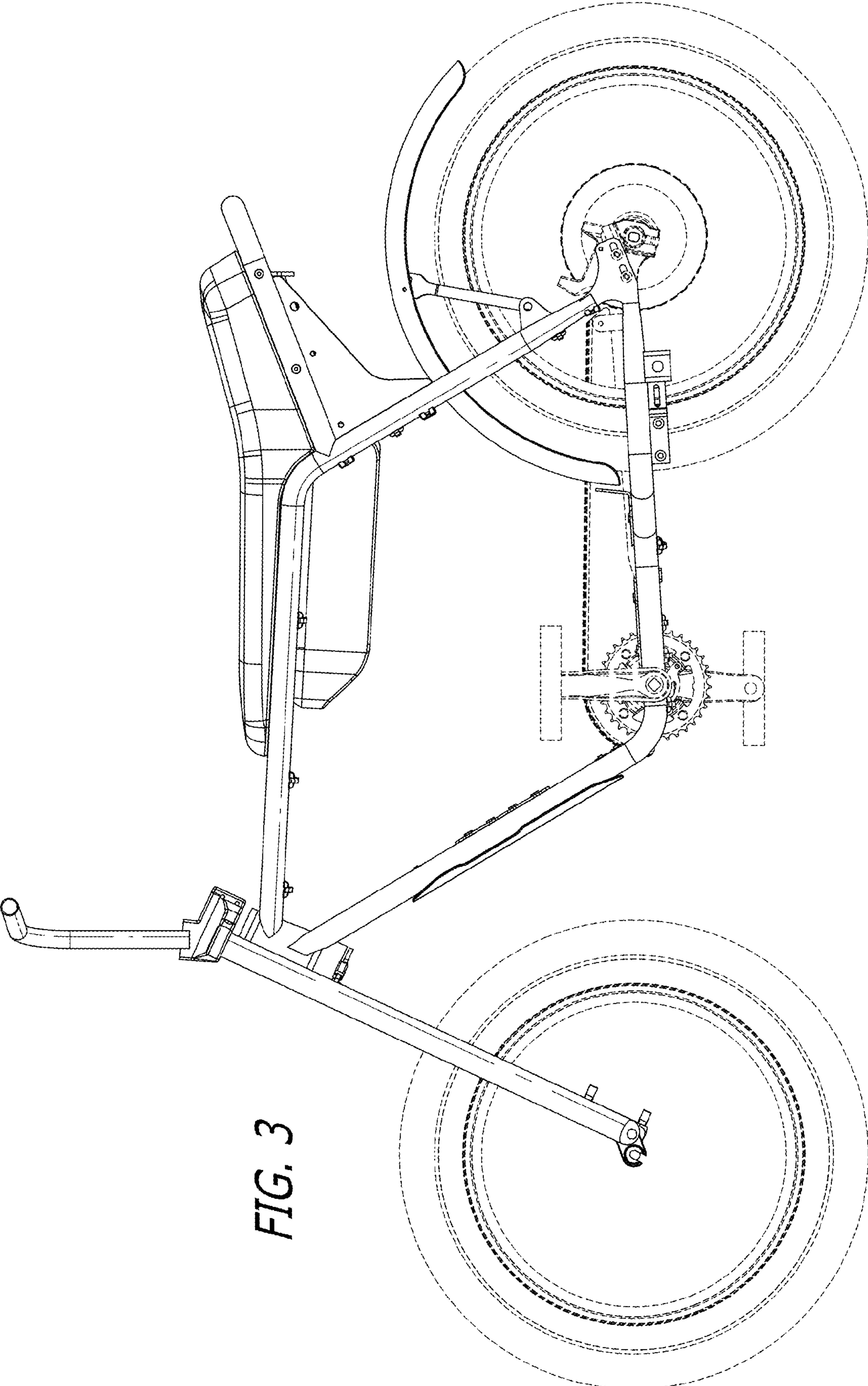
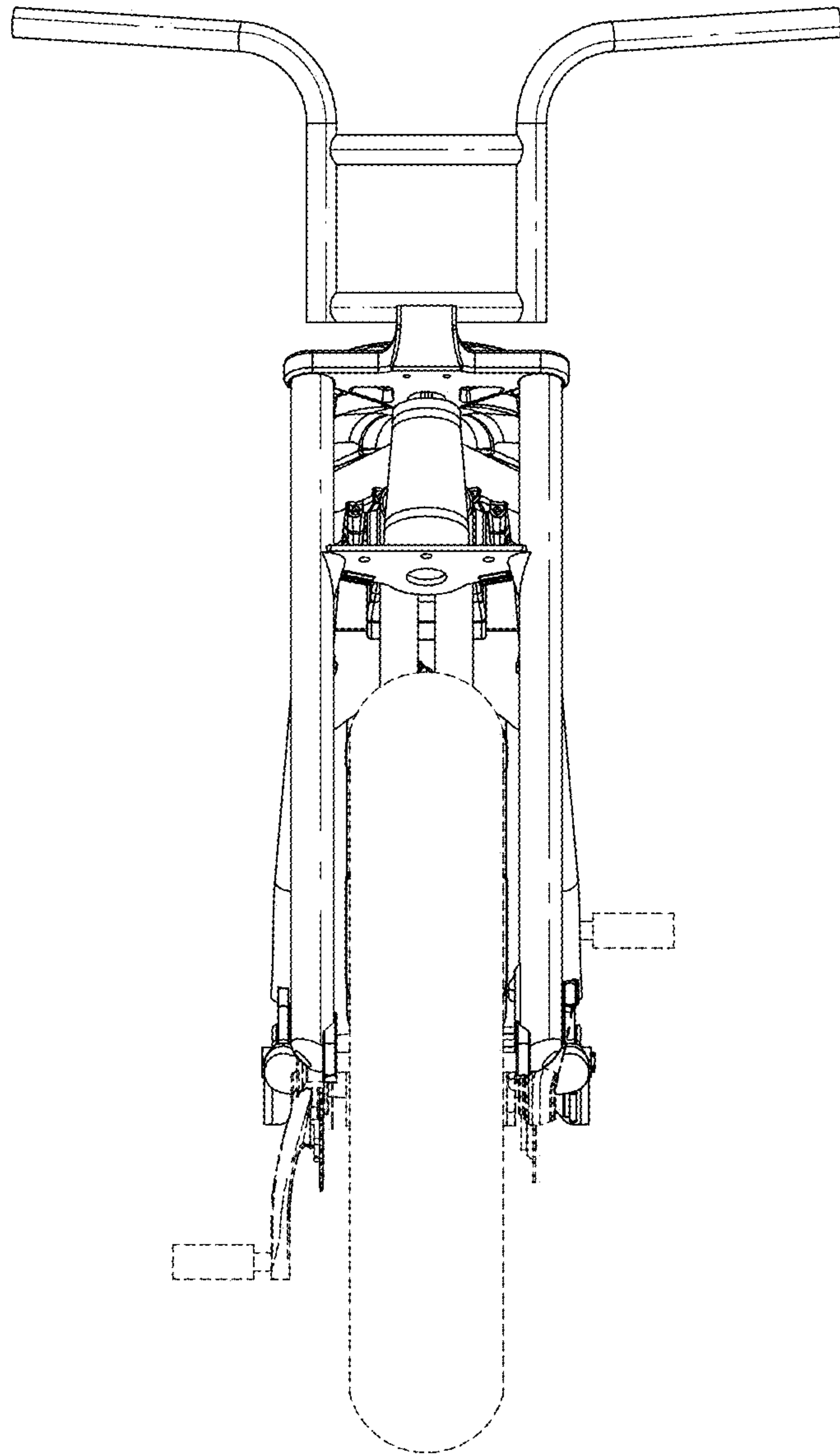


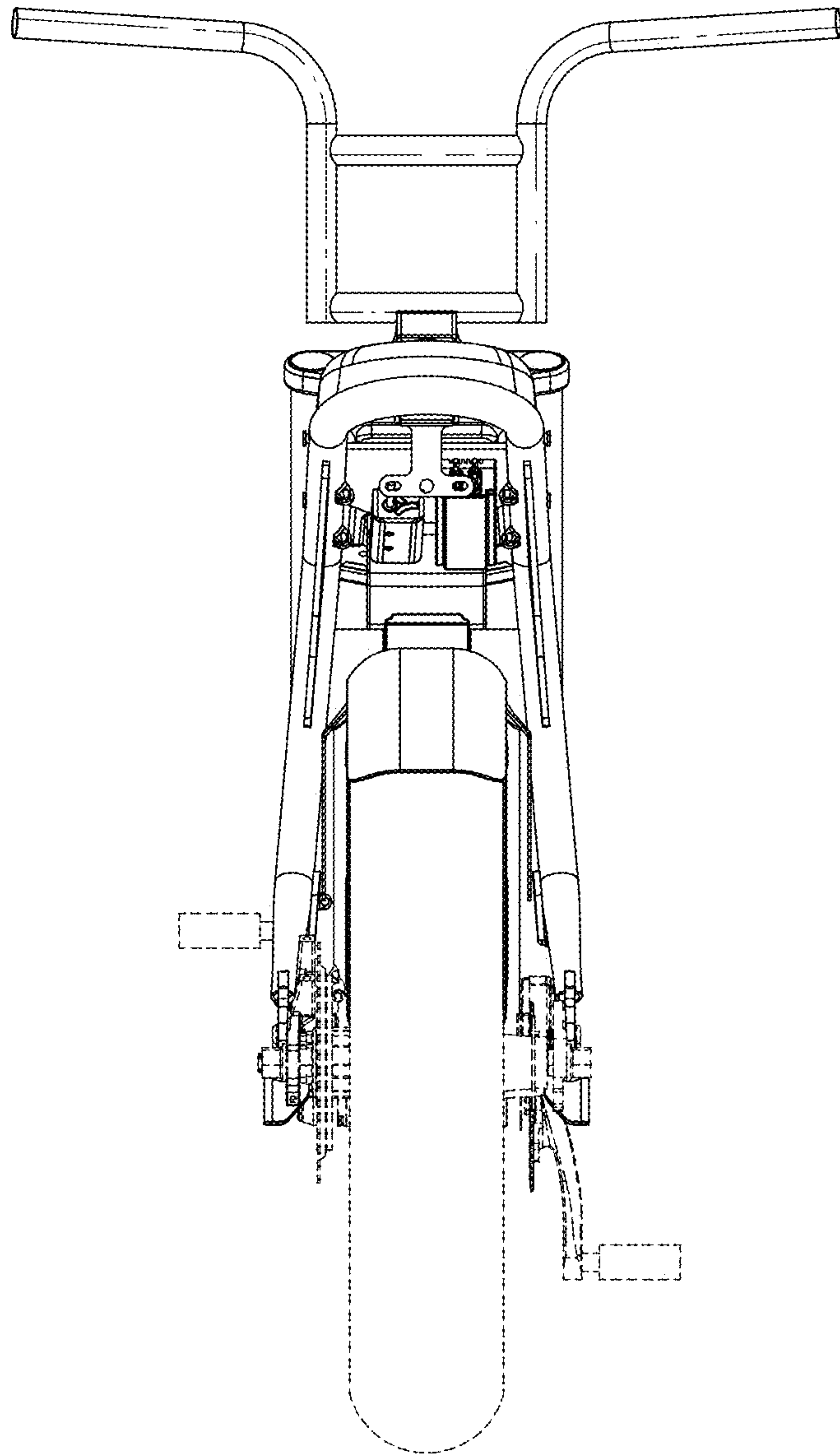
FIG. 3







*FIG. 5*



*FIG. 6*



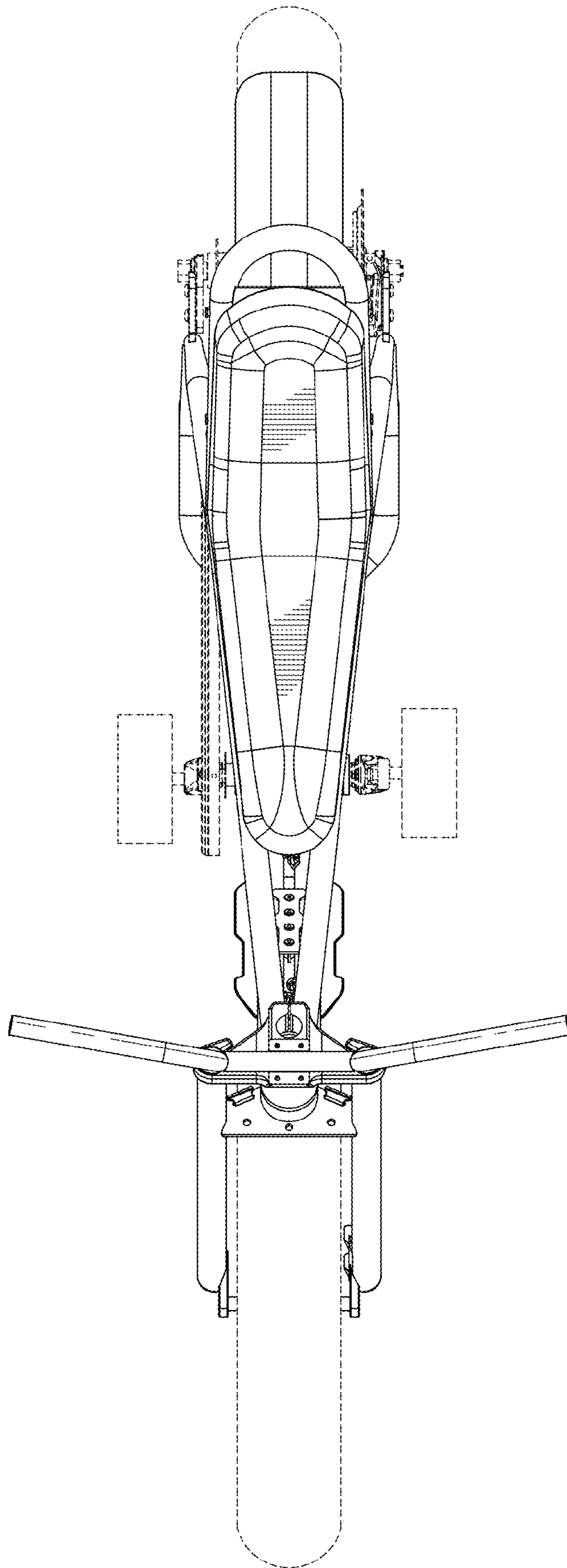


FIG. 7

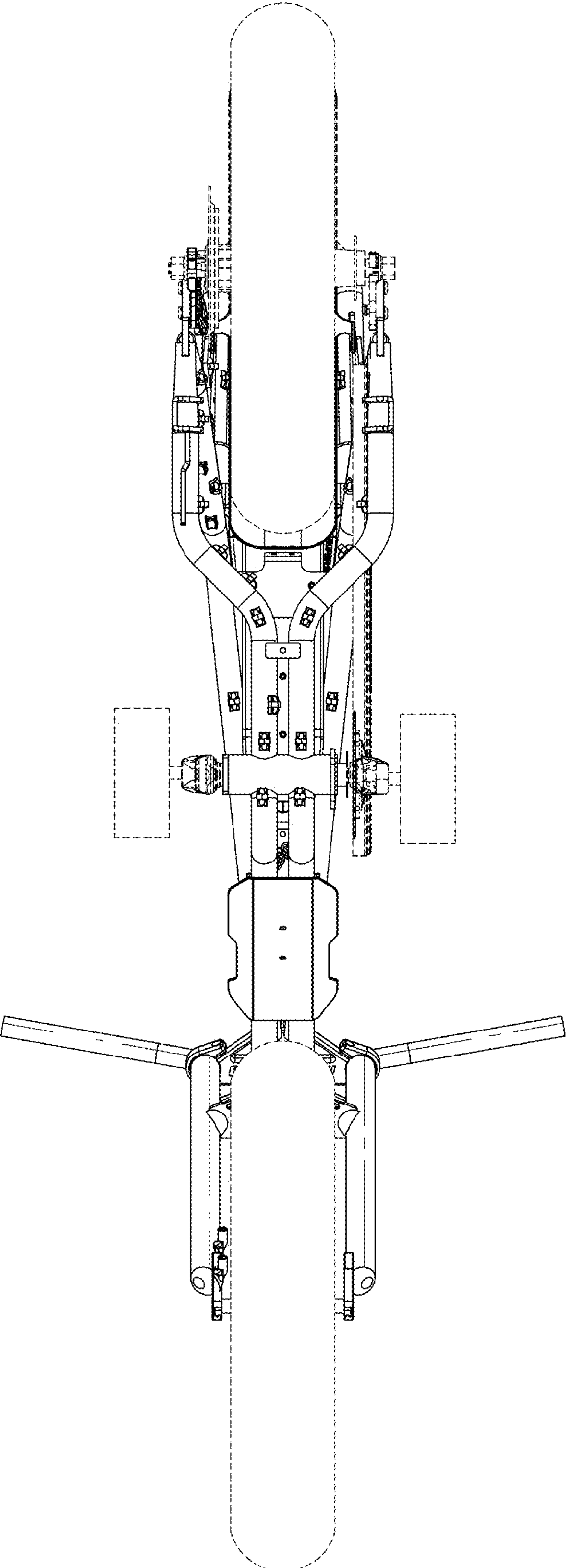


FIG. 8