



US00D934730S

(12) **United States Design Patent**
Gurung

(10) **Patent No.:** **US D934,730 S**
(45) **Date of Patent:** **** Nov. 2, 2021**

(54) **EARRING**
(71) Applicant: **TASAKI & Co., Ltd.**, Kobe (JP)
(72) Inventor: **Prabal Gurung**, New York, NY (US)
(73) Assignee: **TASAKI & Co., Ltd.**, Kobe (JP)
(**) Term: **15 Years**

4,827,738 A * 5/1989 Rothal A44C 7/009
D11/42
5,809,803 A * 9/1998 Stracuzzi A44C 7/009
63/12
D418,079 S * 12/1999 Porcell D11/40
D878,235 S * 3/2020 Gurung D11/40
D883,835 S * 5/2020 Avni D11/40
D885,239 S * 5/2020 Gurung D11/40
D914,537 S * 3/2021 Gurung D11/79

(Continued)

(21) Appl. No.: **35/509,941**

(22) Filed: **Jan. 31, 2020**

(80) **Hague Agreement Data**

Int. Filing Date: **Jan. 31, 2020**
Int. Reg. No.: **DM/206230**
Int. Reg. Date: **Jan. 31, 2020**
Int. Reg. Pub. Date: **Jul. 31, 2020**

(51) **LOC (13) Cl.** **11-01**

(52) **U.S. Cl.**

USPC **D11/42**

(58) **Field of Classification Search**

USPC D11/1, 7, 8, 9, 10, 40-44, 79, 81, 85, 86
CPC A44C 7/00; A44C 7/001; A44C 7/002;
A44C 7/003; A44C 7/004; A44C 7/005;
A44C 7/006; A44C 7/007; A44C 7/008;
A44C 7/009

See application file for complete search history.

(56) **References Cited**

U.S. PATENT DOCUMENTS

2,498,748 A * 2/1950 Barron A44C 7/009
D11/69
D161,239 S * 12/1950 Boucher D11/77
D161,286 S * 12/1950 Semensohn D11/45
3,828,577 A * 8/1974 Haynes A44C 15/0065
D11/42
3,898,868 A * 8/1975 Tomlinson A44C 15/006
63/1.16
4,282,721 A * 8/1981 Roach A44C 7/00
D11/42

OTHER PUBLICATIONS

Zhuanlan Zhihu TASAKI balance 10, Dec. 19, 2020, [online], [site visited Feb. 9, 2021]. Retrieved from url:https://zhuanlan.zhihu.com/p/338149722 (Year: 2020).*

(Continued)

Primary Examiner — Michelle E. Wilson

Assistant Examiner — Tracey J Bell

(74) *Attorney, Agent, or Firm* — Rankin, Hill & Clark LLP

(57) **CLAIM**

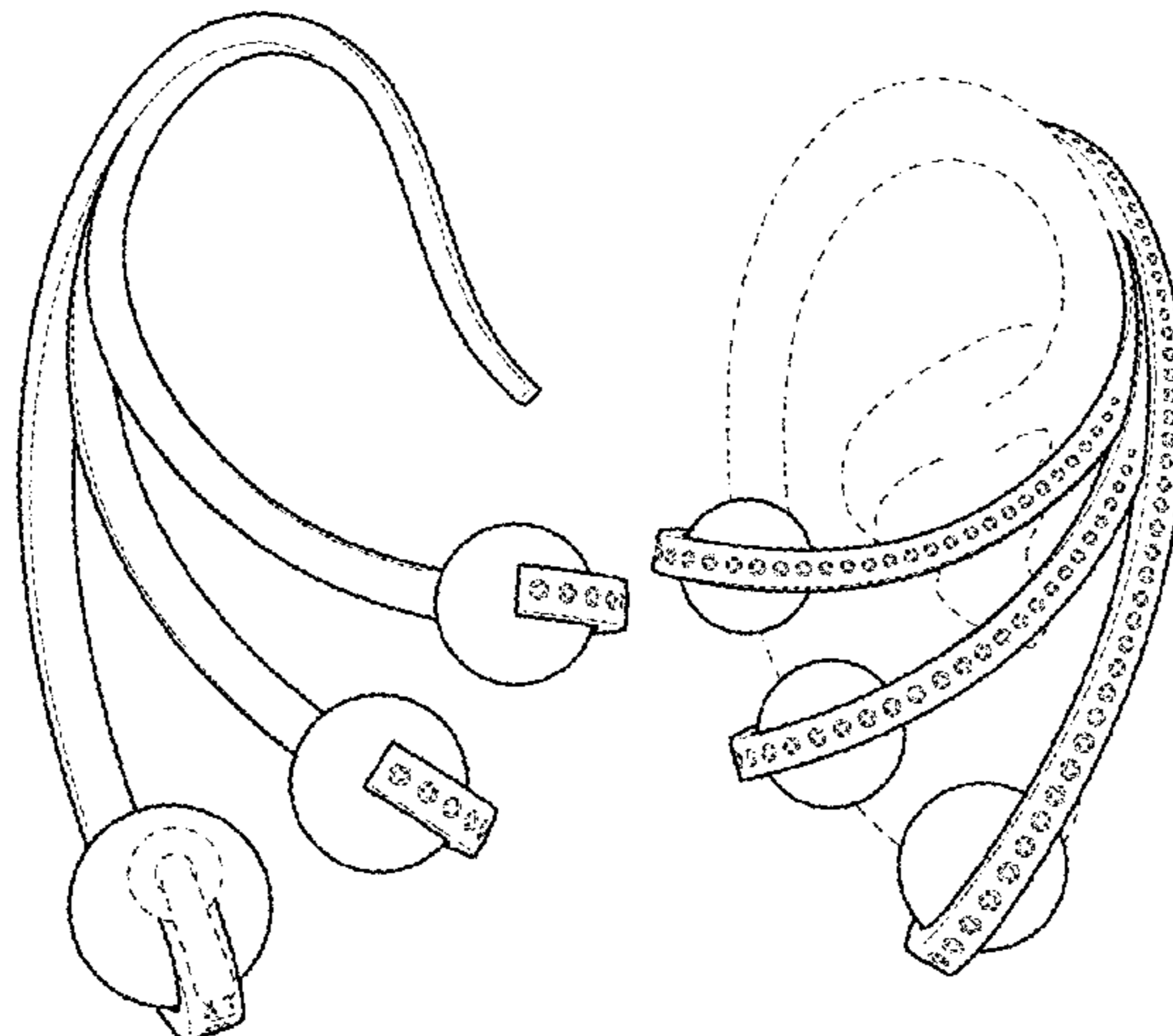
The ornamental design for an earring, as shown and described.

DESCRIPTION

- 1. Earring
- 1.1: Perspective
- 1.2: Front
- 1.3: Back
- 1.4: Top
- 1.5: Bottom
- 1.6: Right
- 1.7: Left
- 1.8: In-use view for reference

The broken line showing of an ear in Fig. 1.8 depicts environment and forms no part of the claimed design. All other broken lines in the reproductions, including the faceted

(Continued)



gemstones inset into the surface of the earring, depict portions of the earring that form no part of the claimed design.

1 Claim, 8 Drawing Sheets

(56) **References Cited**

U.S. PATENT DOCUMENTS

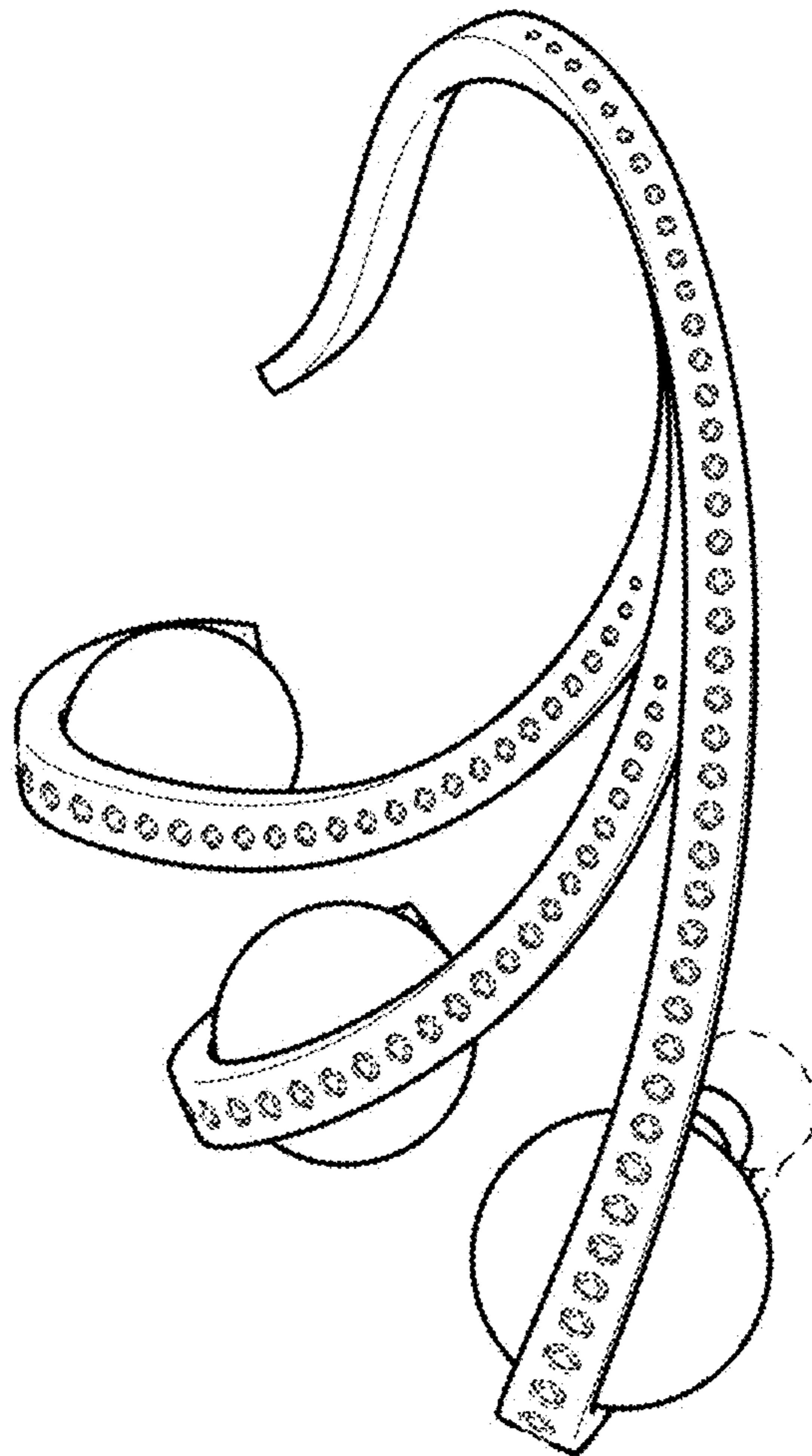
D916,620 S * 4/2021 Gurung D11/42
2003/0070449 A1* 4/2003 Jacobs A44C 7/009
63/12

OTHER PUBLICATIONS

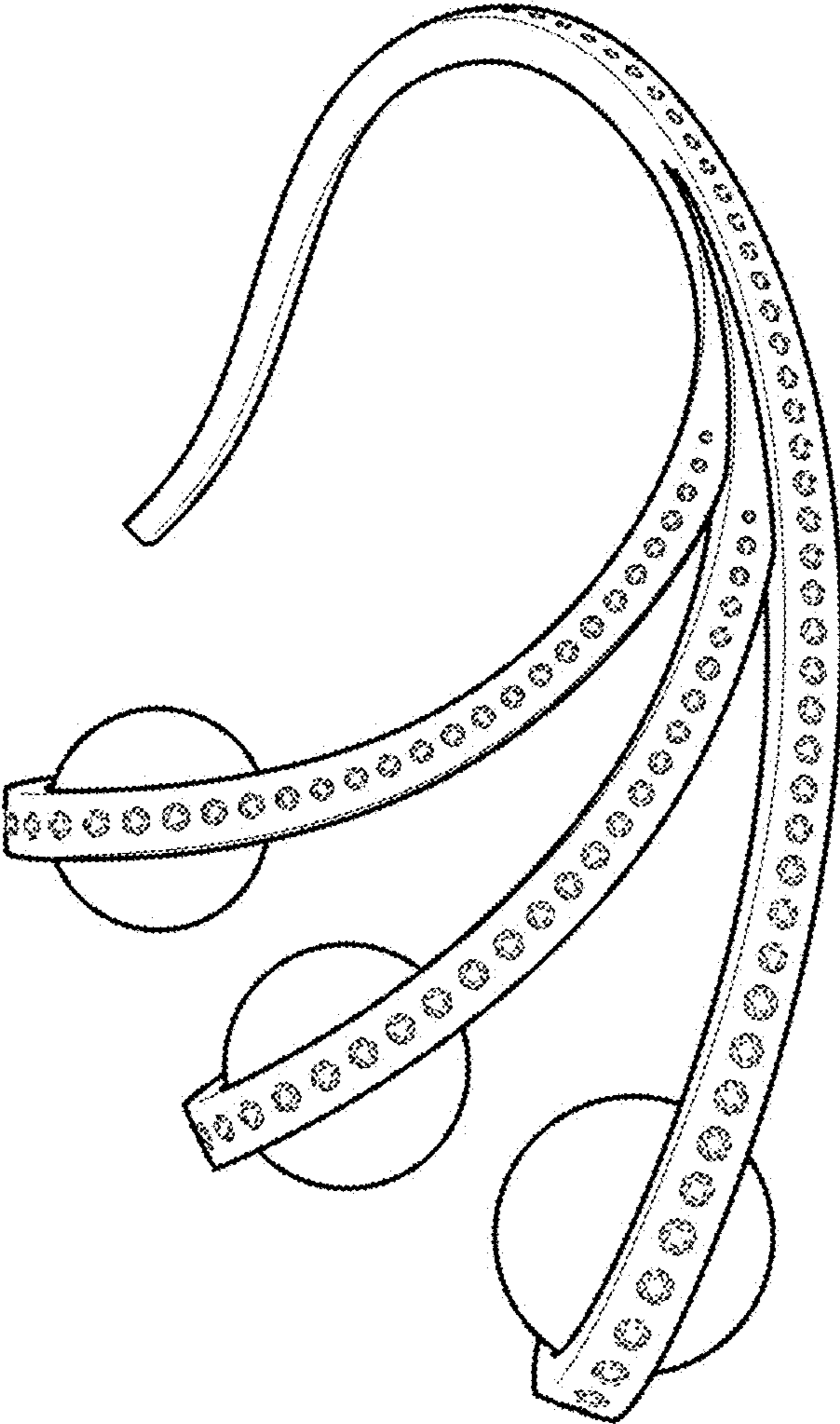
Tasaki Aurora Earring EN-4239R, no date available, [online], [site visited Feb. 13, 2021]. Retrieved from url:https://www.tasaki-global.com/jewellery/atelier/tasaki_atelier/aurora/EN-4239R-18KWG/?jewellery=earrings (Year: 2021).*

* cited by examiner

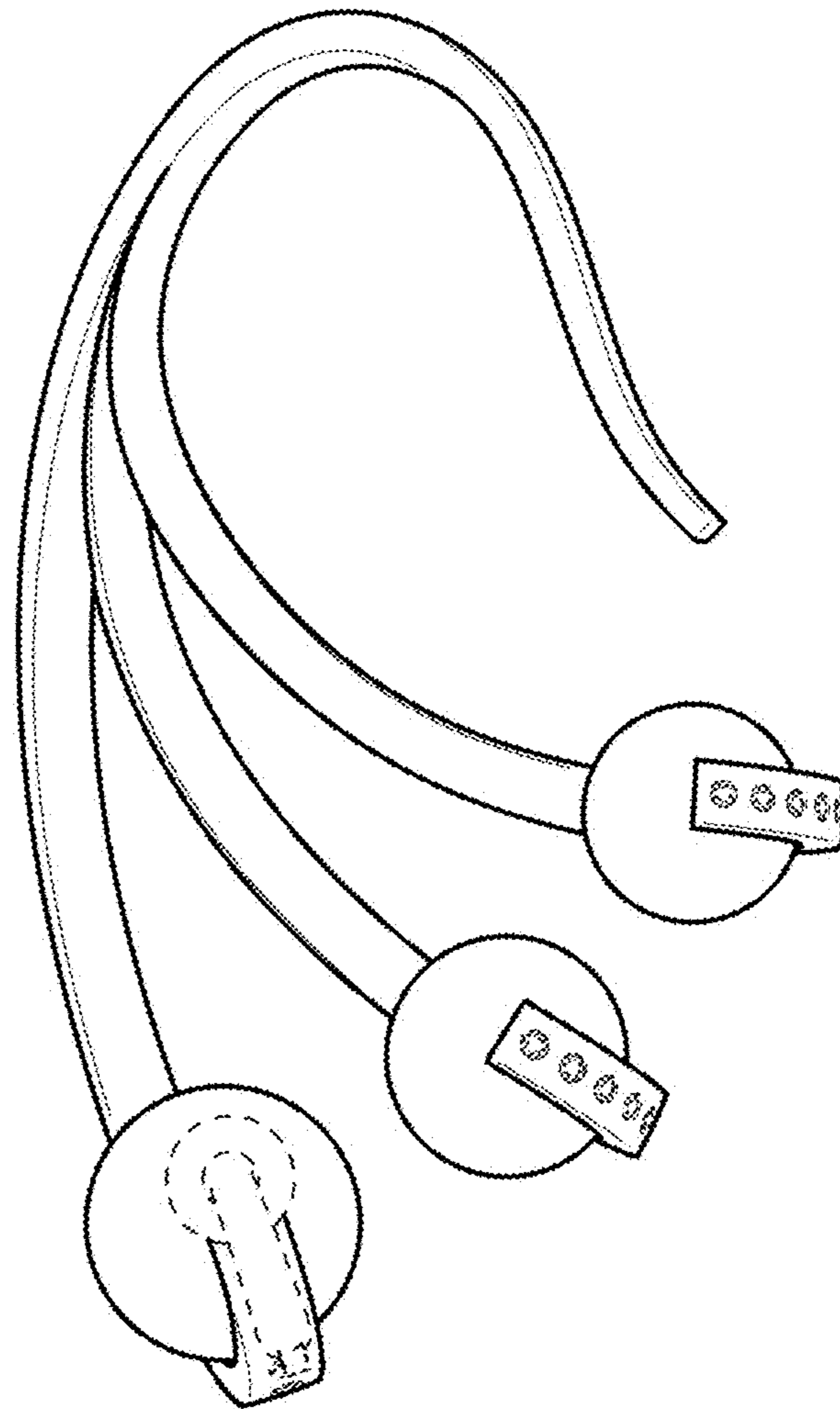
1.1



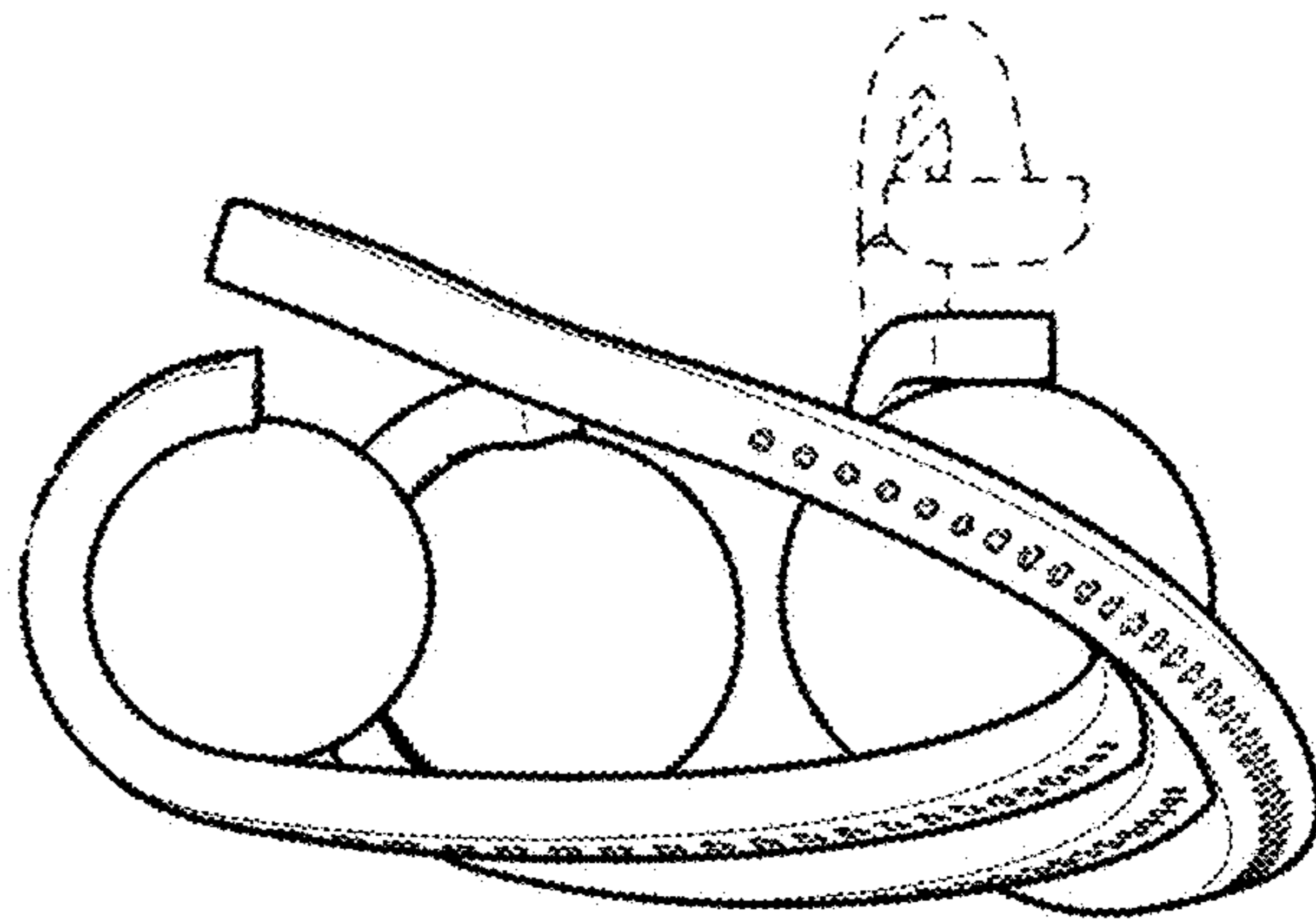
1.2



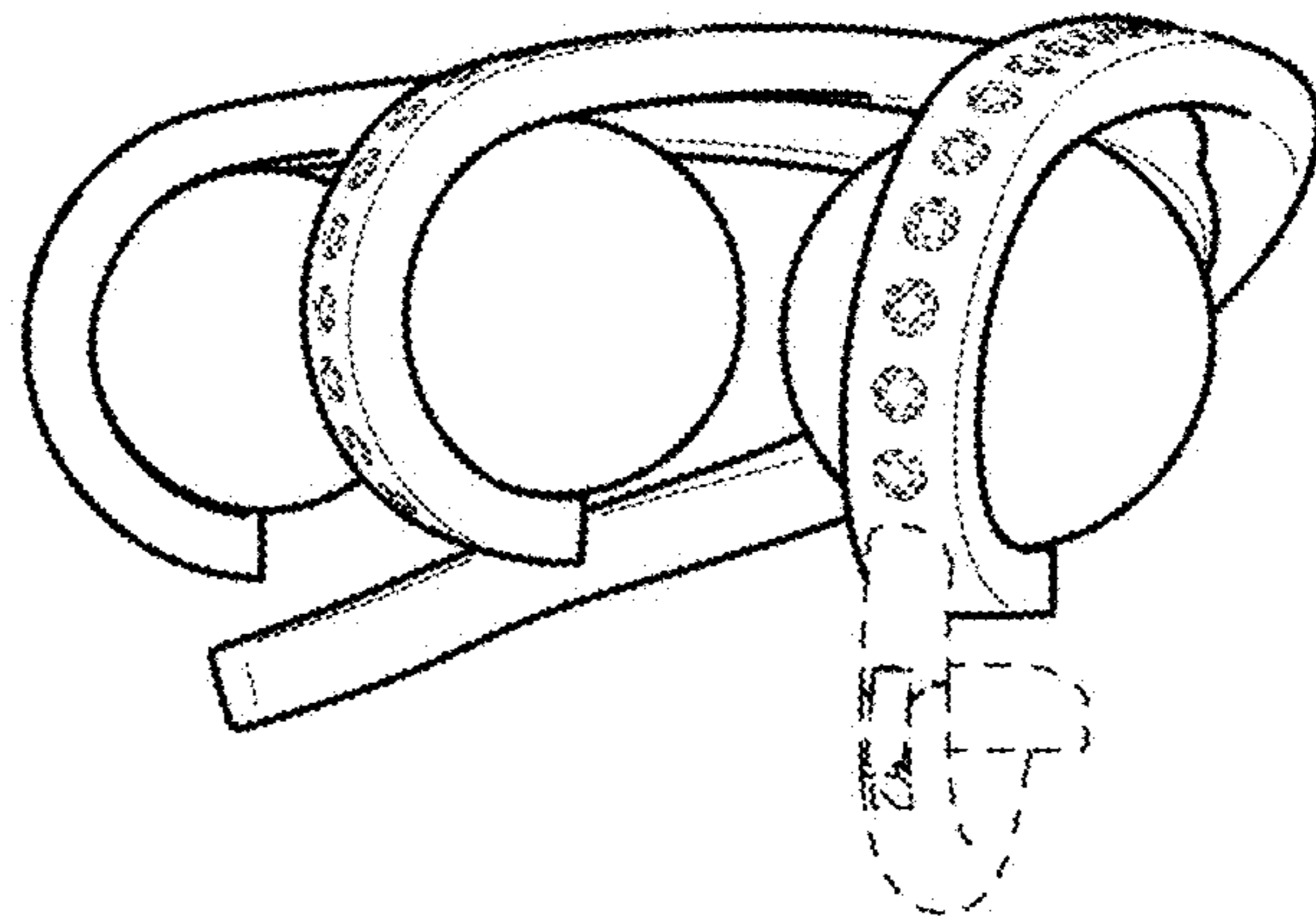
1.3



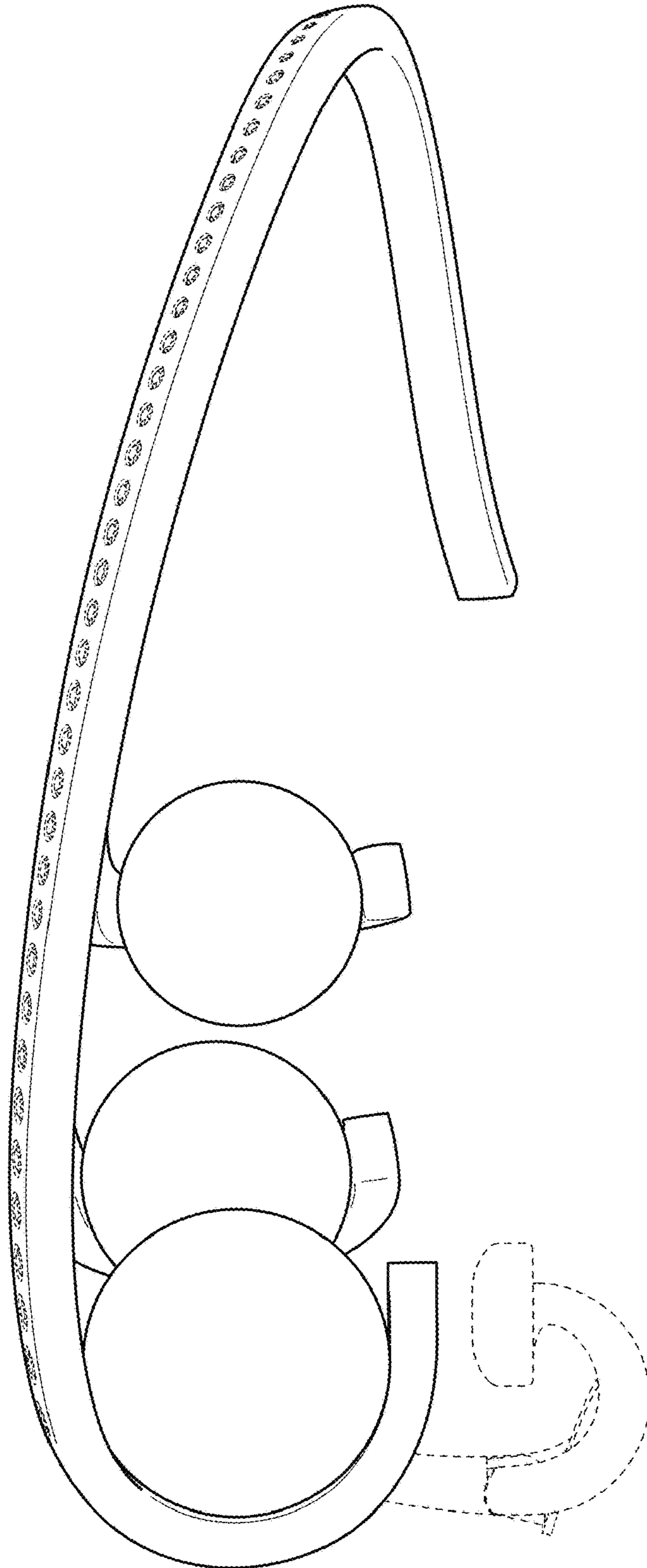
1.4



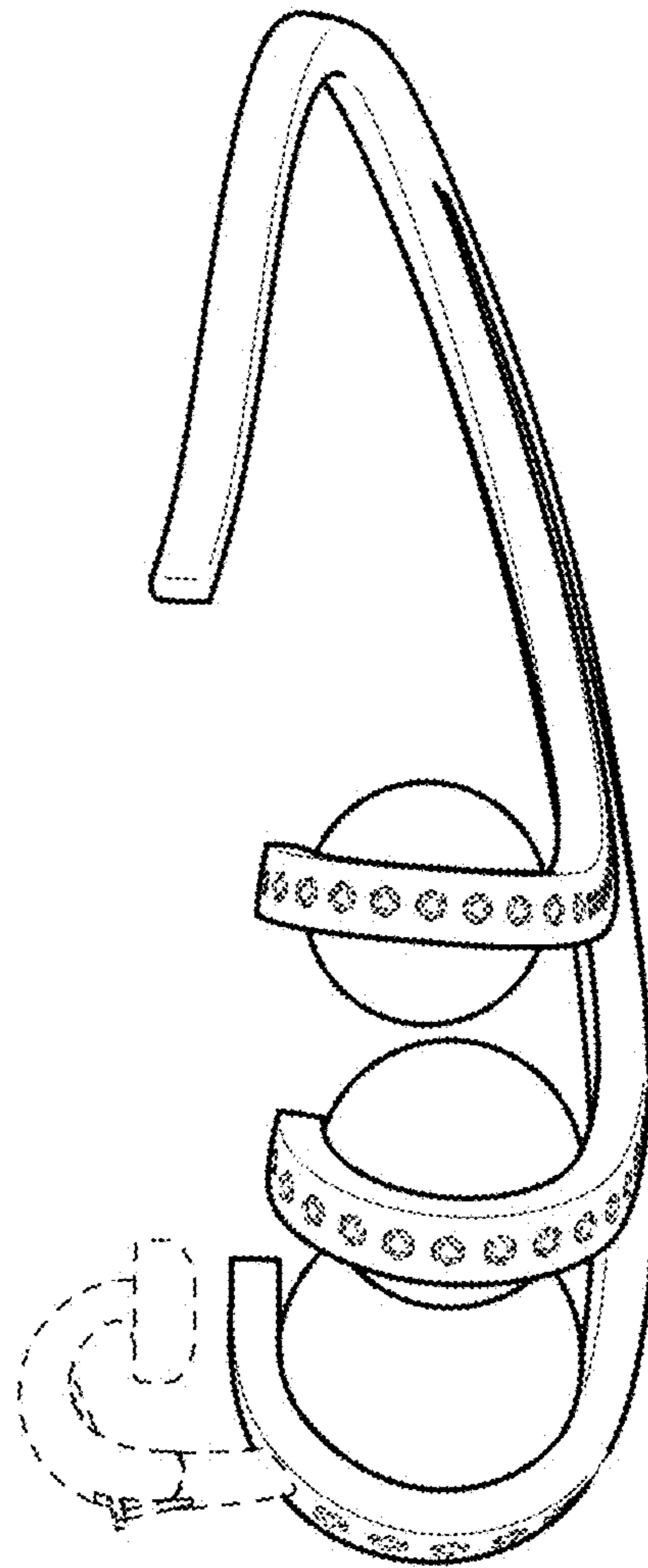
1.5



1.6
Right



1.7



1.8

