



US00D934729S

(12) **United States Design Patent**
Yatsugi-Kang

(10) **Patent No.:** **US D934,729 S**

(45) **Date of Patent:** **** Nov. 2, 2021**

(54) **PAIR OF EARRINGS**

(71) Applicant: **Harry Winston SA**, Plan-les-Ouates (CH)

(72) Inventor: **Rie Yatsugi-Kang**, New York, NY (US)

(73) Assignee: **Harry Winston SA**, Plan-les-Ouates (CH)

(**) Term: **15 Years**

(21) Appl. No.: **29/741,559**

(22) Filed: **Jul. 14, 2020**

(30) **Foreign Application Priority Data**

Jan. 30, 2020 (WO) WIPO91678

(51) **LOC (13) Cl.** **11-01**

(52) **U.S. Cl.**
USPC **D11/42**

(58) **Field of Classification Search**
USPC D11/1, 2, 26, 34-36, 40-45, 63, 67, 79,
D11/86-88, 91, 92
CPC A44C 7/00; A44C 7/001; A44C 7/003;
A44C 17/02
See application file for complete search history.

(56) **References Cited**

U.S. PATENT DOCUMENTS

- D44,796 S * 10/1913 Mountford D11/91
- 1,114,370 A * 10/1914 Ladd A44C 17/02
D11/92
- D135,780 S * 6/1943 Levy D11/40
- 2,733,578 A * 2/1956 Tucker A44C 7/002
63/29.1
- 2,858,679 A * 11/1958 Moreschi A44C 7/008
63/14.7
- D217,493 S * 5/1970 Gotze D11/92

- D232,653 S * 9/1974 Herman Hess D11/92
- D622,173 S * 8/2010 Blad D11/40
- D727,773 S * 4/2015 Kwon D11/42
- D747,663 S * 1/2016 Yatsugi-Kang D11/34
- D747,664 S * 1/2016 Yatsugi-Kang D11/34
- D752,472 S * 3/2016 Riviere D11/43
- D753,013 S * 4/2016 Riviere D11/79
- D763,720 S * 8/2016 Yatsugi-Kang D11/40
- D779,361 S * 2/2017 Yatsugi-Kang D11/7
- D780,022 S * 2/2017 Yatsugi-Kang D11/34
- D780,023 S * 2/2017 Yatsugi-Kang D11/34
- D780,024 S * 2/2017 Yatsugi-Kang D11/34
- D782,934 S * 4/2017 Riviere D11/42
- D792,803 S * 7/2017 Abdourahim D11/42
- D820,145 S * 6/2018 Galli D11/40
- D893,340 S * 8/2020 Zheng D11/42
- 2014/0345094 A1 * 11/2014 Keyes A44C 1/00
24/571

* cited by examiner

Primary Examiner — Llorellys Martinez

(74) *Attorney, Agent, or Firm* — Blank Rome LLP

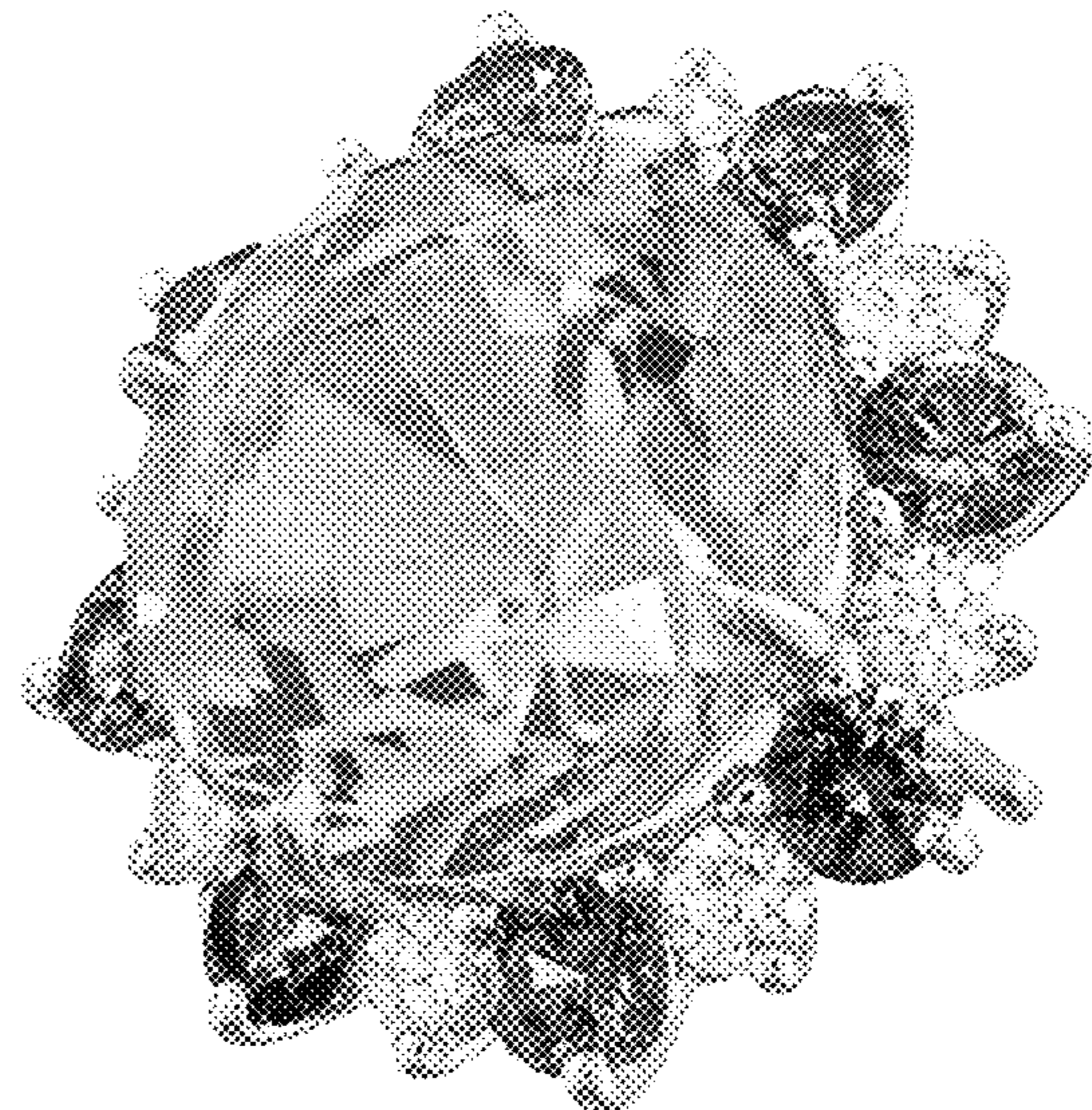
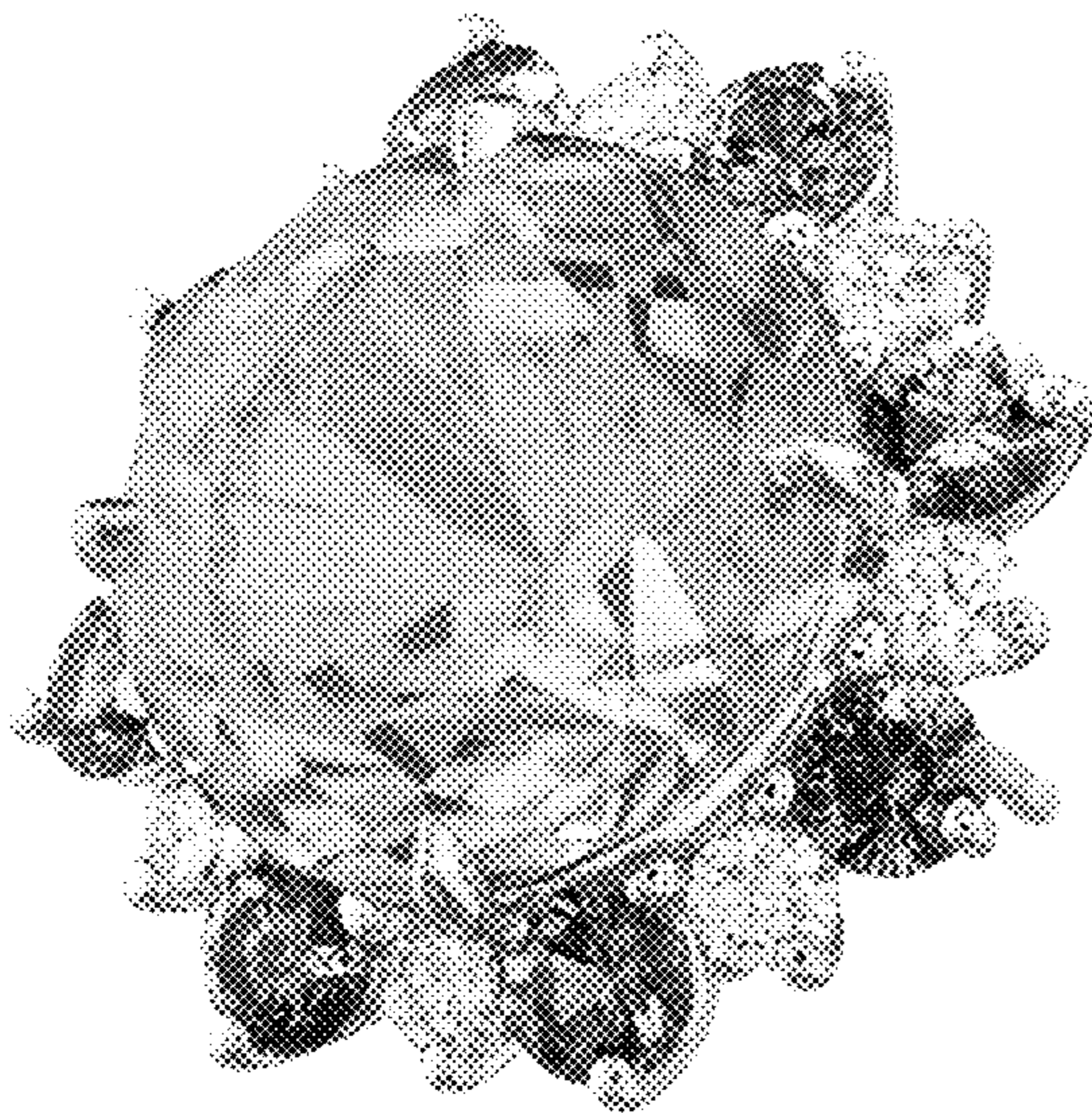
(57) **CLAIM**

The ornamental design for a pair of earrings, as shown and described.

DESCRIPTION

FIG. 1 is a top view of a pair of earrings of the present design;
FIG. 2 is a bottom view thereof;
FIG. 3 is a right side view thereof;
FIG. 4 is a left side view thereof;
FIG. 5 is a front view thereof;
FIG. 6 is a rear view thereof;
FIG. 7 is a top right perspective view thereof; and,
FIG. 8 is a bottom left perspective view thereof.

1 Claim, 8 Drawing Sheets



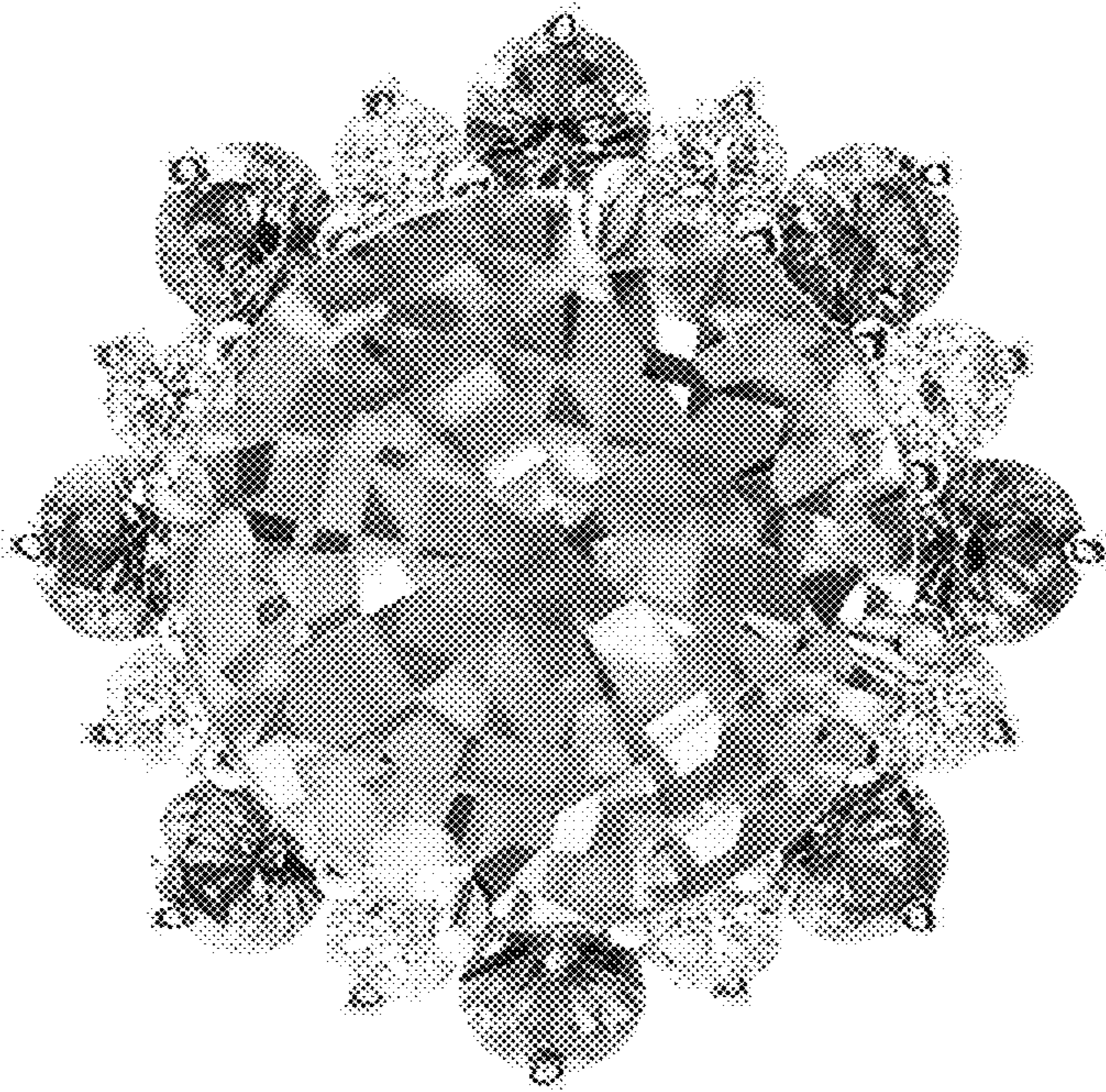
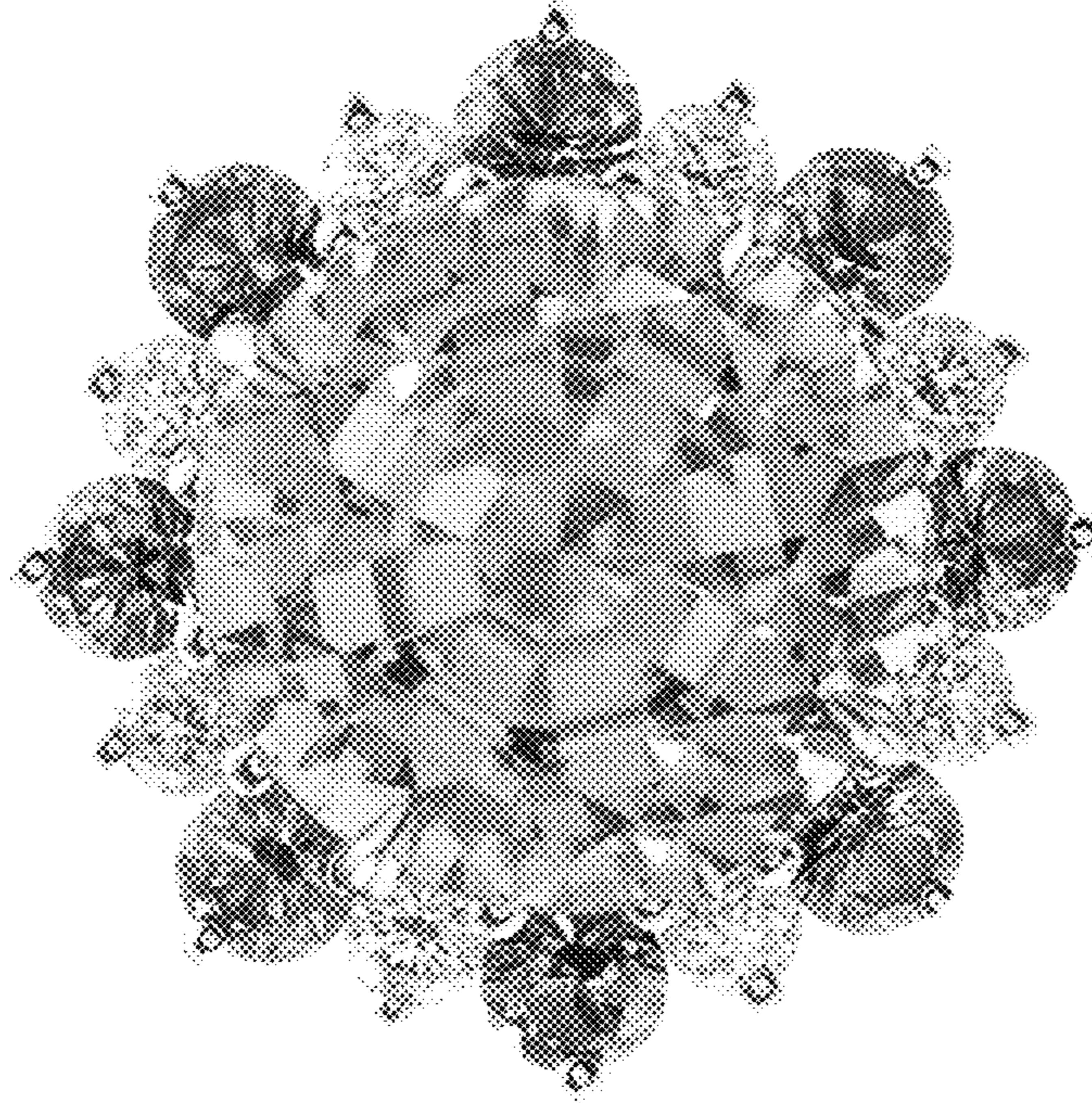


FIG. 1



FIG. 2

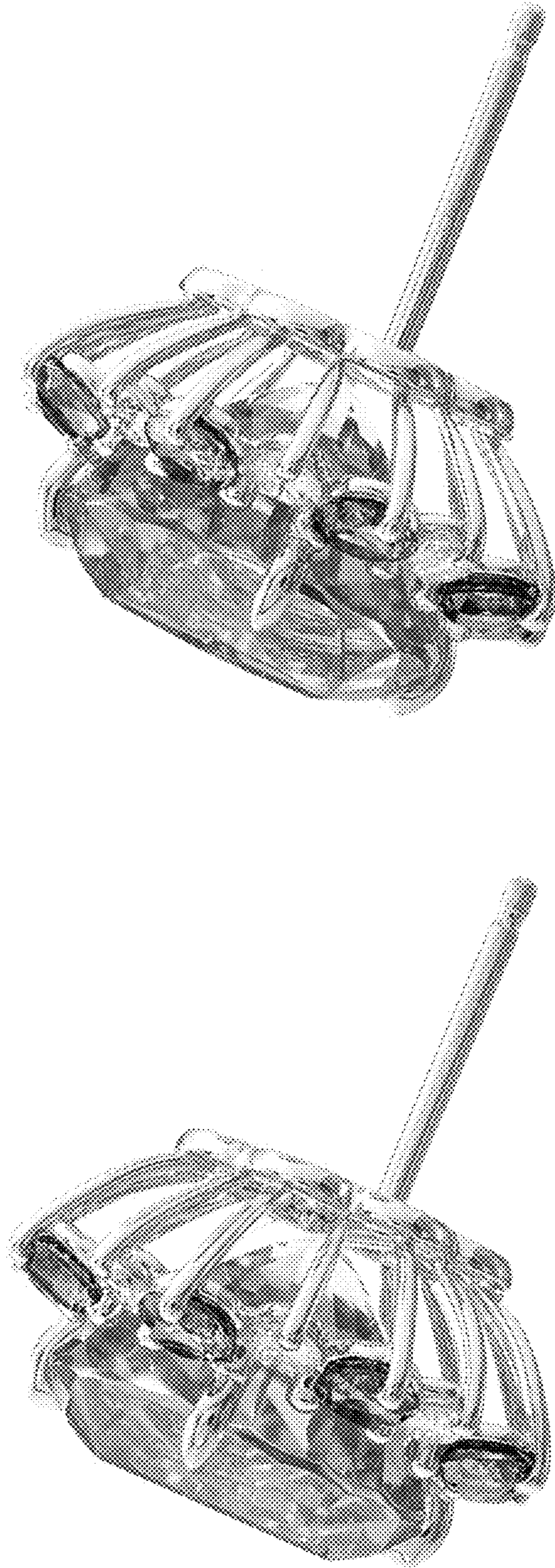


FIG. 3

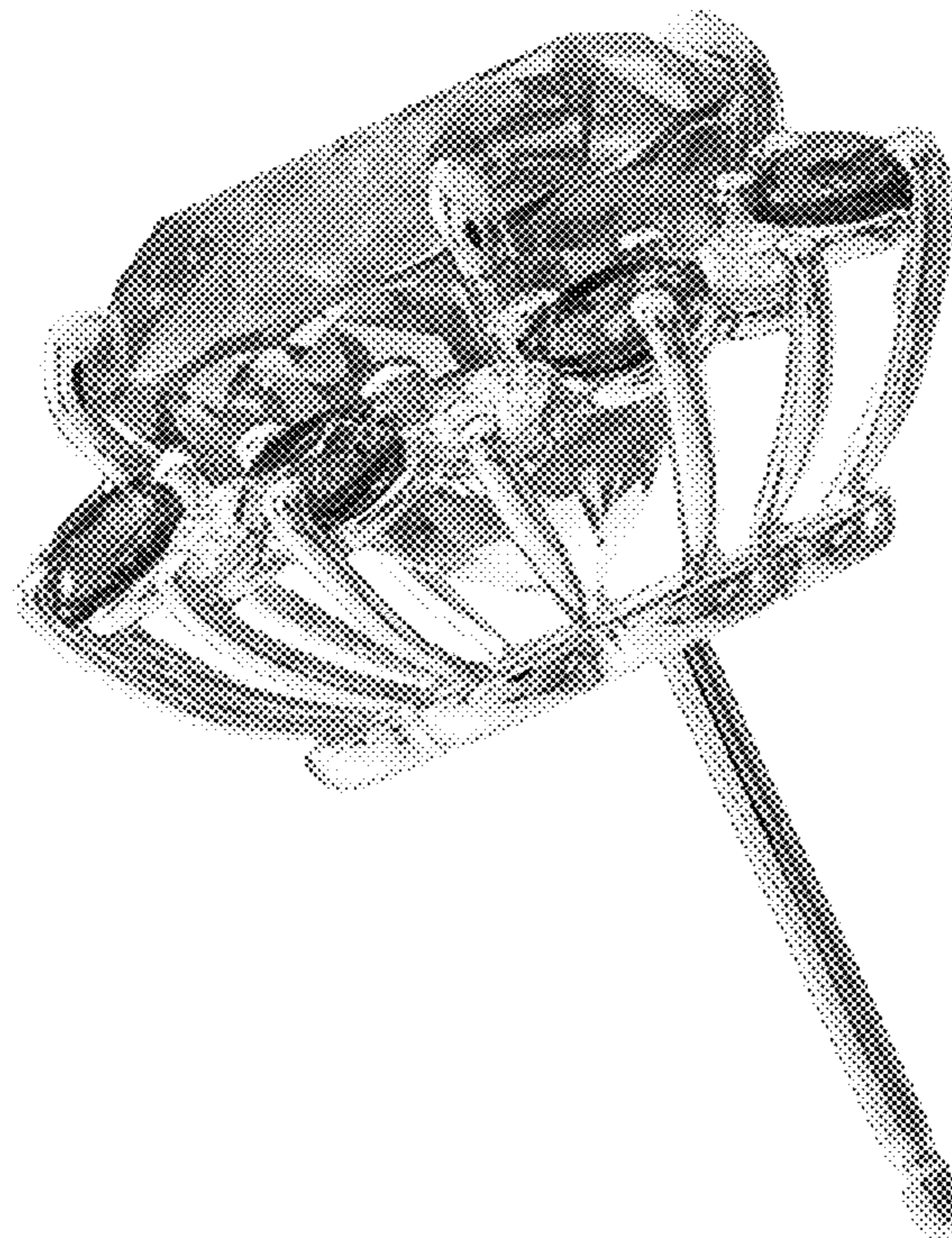
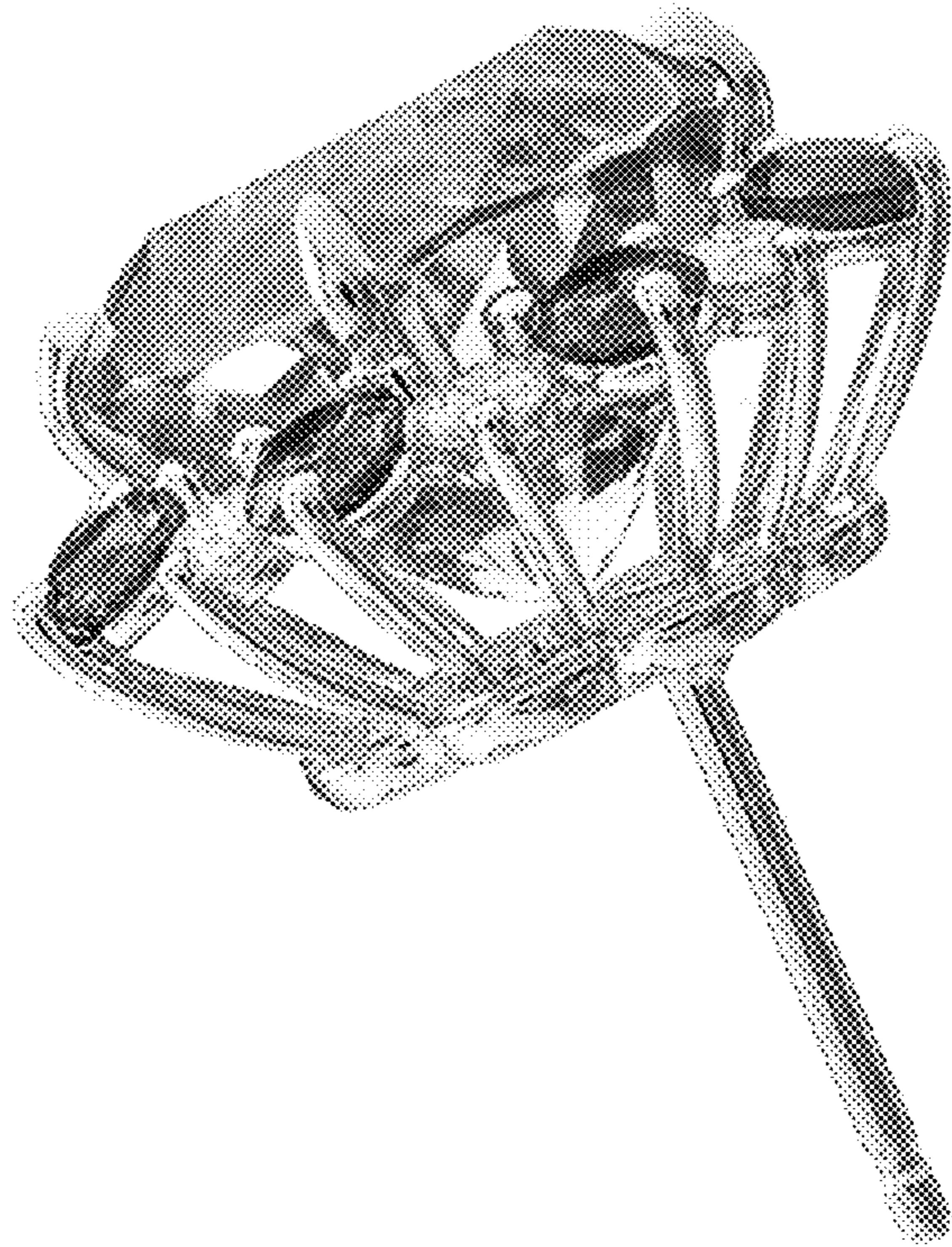


FIG. 4

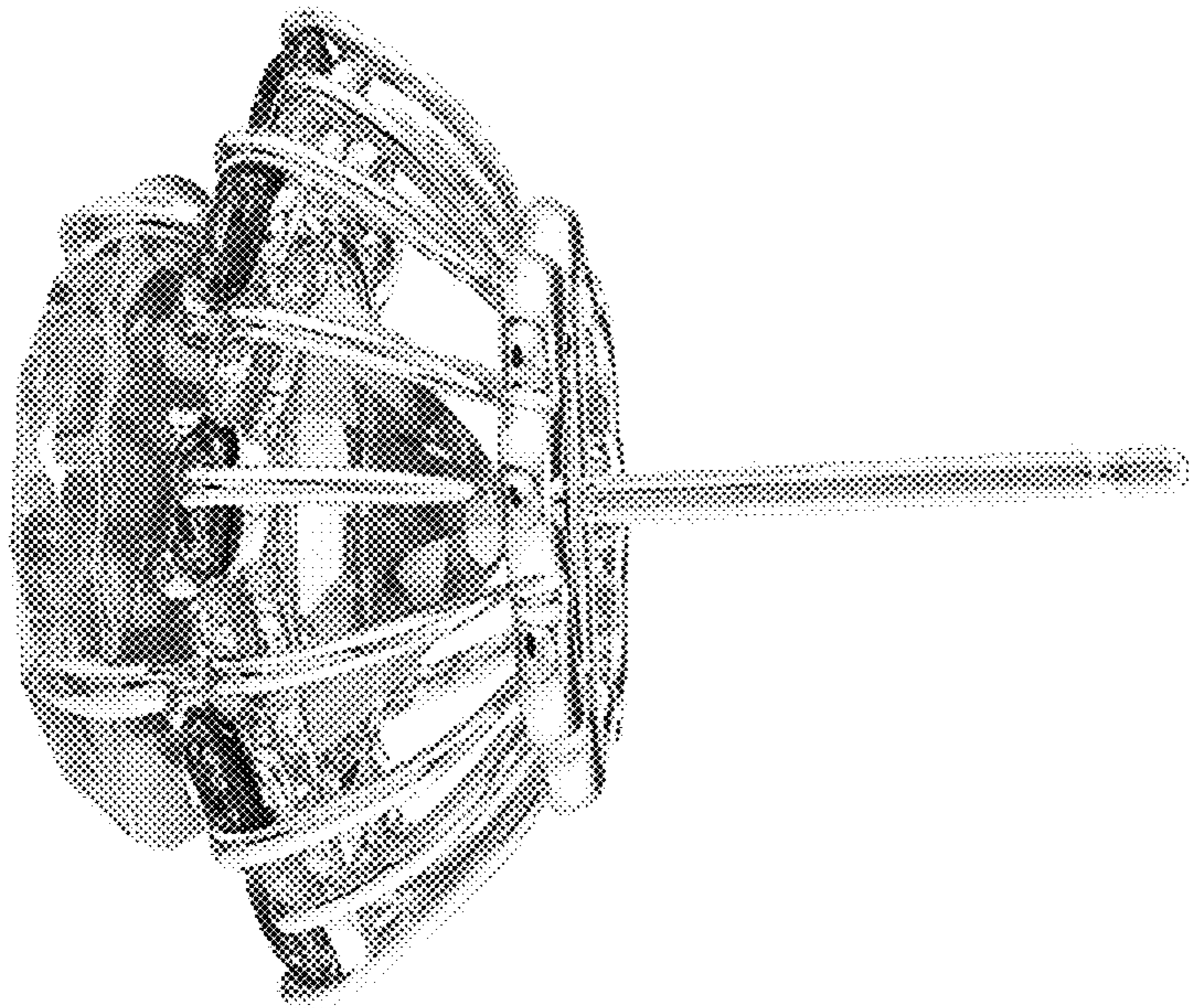
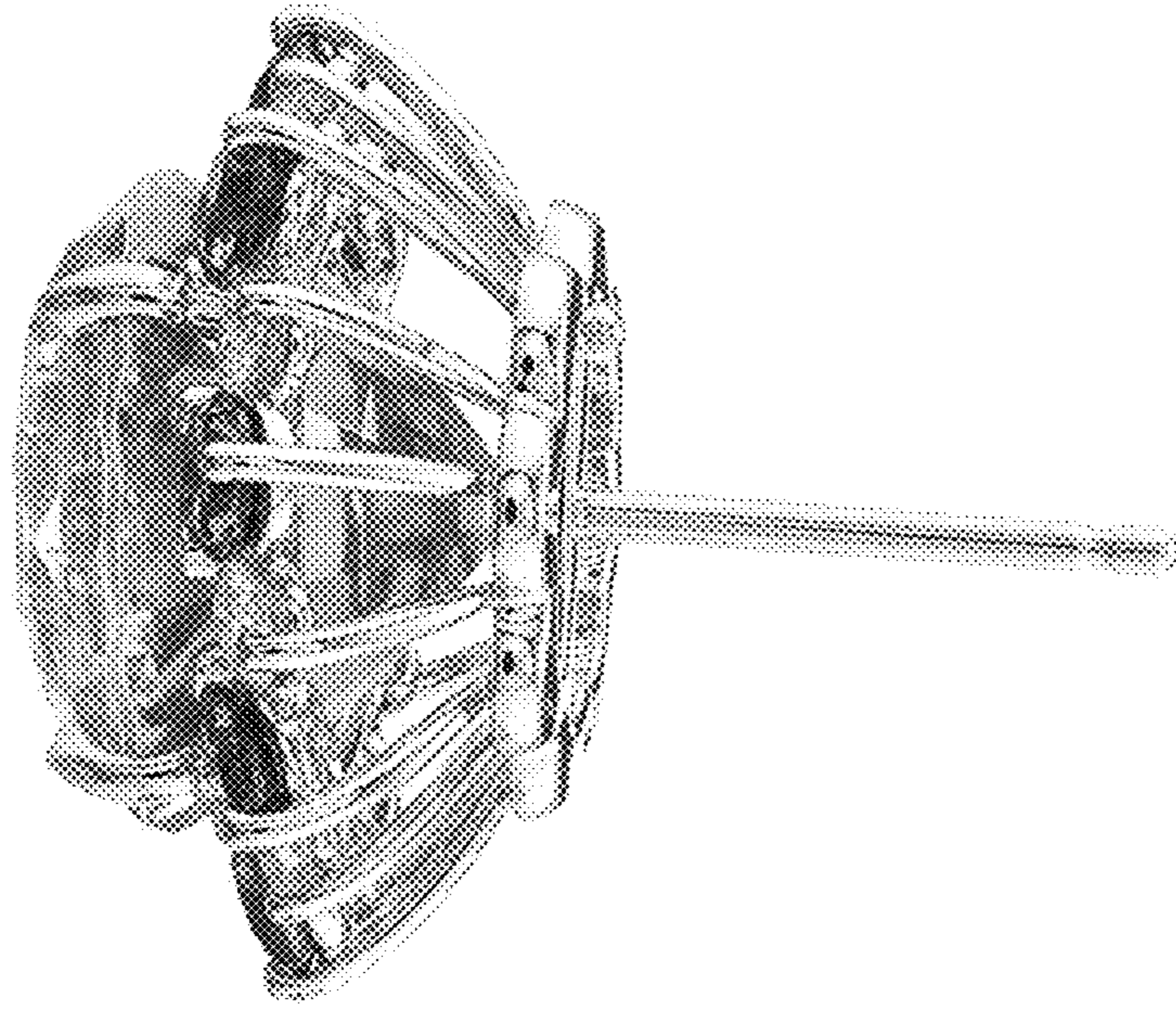


FIG. 5

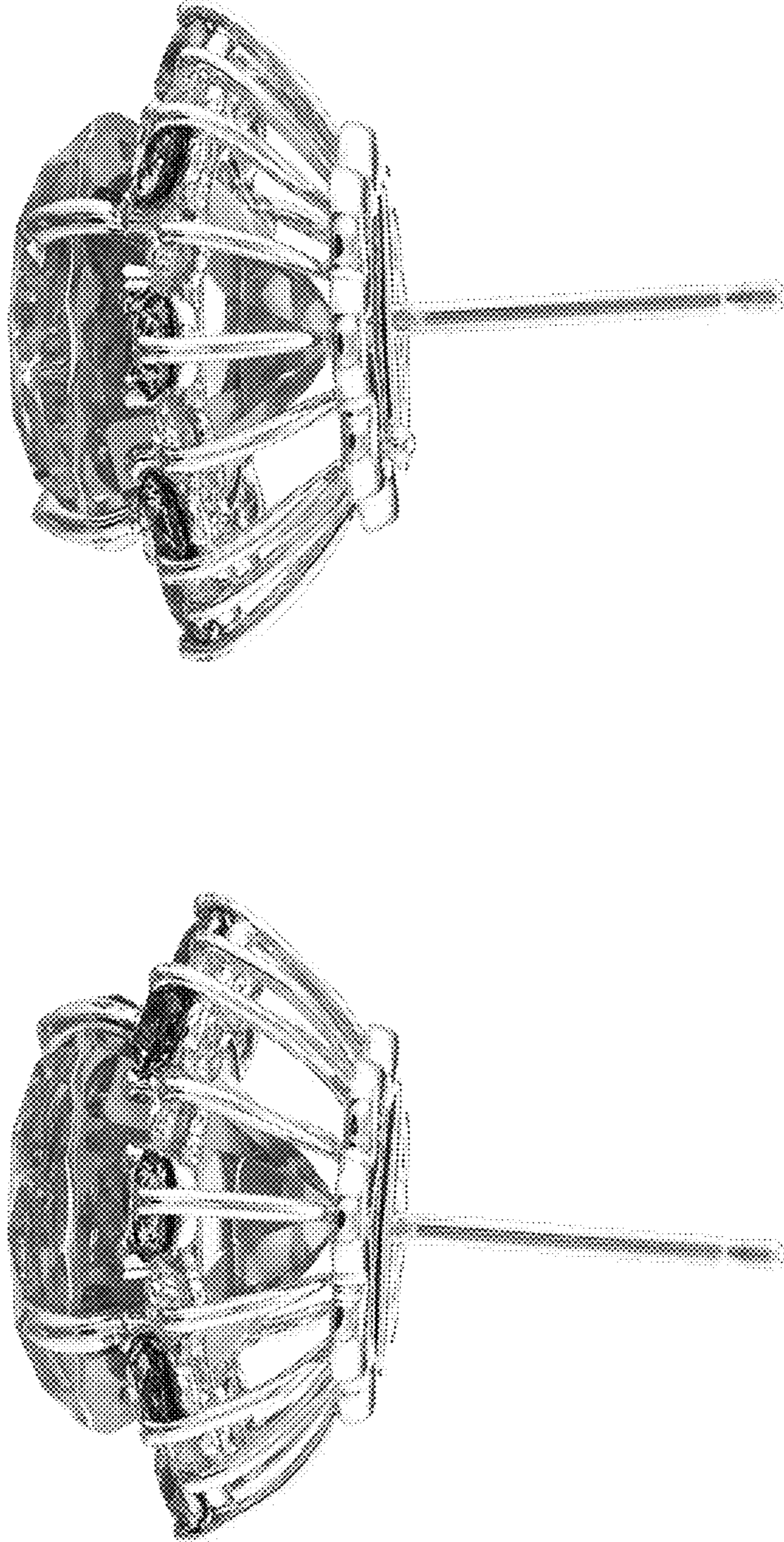


FIG. 6

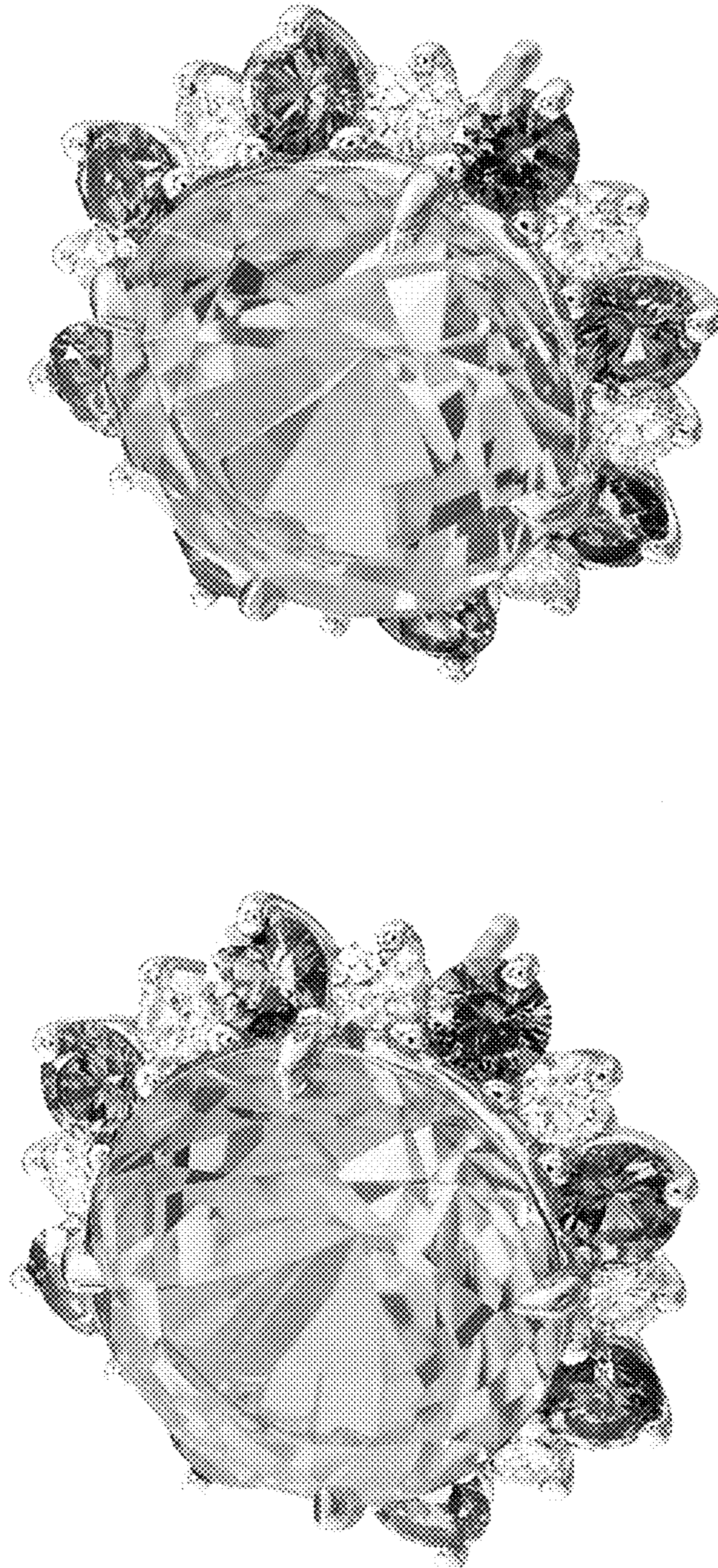


FIG. 7



FIG. 8