



US00D934726S

(12) **United States Design Patent** (10) **Patent No.:** **US D934,726 S**  
**Fillon** (45) **Date of Patent:** **\*\* Nov. 2, 2021**

- (54) **ARTICLE OF JEWELRY**
- (71) Applicant: **CARTIER INTERNATIONAL AG,**  
Steinhausen (CH)
- (72) Inventor: **Arnaud Fillon,** Paris (FR)
- (73) Assignee: **CARTIER INTERNATIONAL AG,**  
Steinhausen (CH)
- (\*\*) Term: **15 Years**
- (21) Appl. No.: **29/774,871**
- (22) Filed: **Mar. 19, 2021**

**Related U.S. Application Data**

- (62) Division of application No. 29/592,882, filed on May 29, 2019, now Pat. No. Des. 915,931.

**Foreign Application Priority Data**

- Nov. 29, 2018 (WO) ..... WIPO77635
- (51) **LOC (13) Cl.** ..... **11-01**
- (52) **U.S. Cl.**  
USPC ..... **D11/40**
- (58) **Field of Classification Search**  
USPC ..... D11/1-2, 40-45, 91, 92  
CPC ..... A44C 7/00; A44C 7/001; A44C 7/002  
See application file for complete search history.

**References Cited**

**U.S. PATENT DOCUMENTS**

D106,976 S	11/1937	Hokerk
D119,638 S	3/1940	Ornstein
D123,109 S	10/1940	Garfinkel
D128,297 S	7/1941	Healy
D129,407 S	9/1941	Wilmarth
D152,491 S	1/1949	Ostier
D230,625 S	3/1974	Mechanic

D254,273 S	2/1980	Lawrence
D300,675 S	4/1989	Sacher
4,977,757 A	12/1990	Mesica et al.
D378,501 S	3/1997	Garzi
D400,465 S	11/1998	Maurizio et al.
D405,380 S	2/1999	Maurizio et al.
D447,436 S	9/2001	Park
D684,496 S	6/2013	Haimoff
D791,006 S	7/2017	Ramsey
D804,982 S	12/2017	Bonner
D804,983 S	12/2017	Bonner
D813,706 S	3/2018	Bonner
D813,707 S	3/2018	Bonner
D815,553 S	4/2018	Fillon
D815,974 S	4/2018	Bonner
D824,274 S	7/2018	Trafton et al.
D825,371 S	8/2018	Bonner
D825,372 S	8/2018	Bonner
D872,618 S	1/2020	Atkinson et al.
D877,642 S	3/2020	Fillon
D888,597 S	6/2020	Fillon

(Continued)

*Primary Examiner* — Llorellys Martinez

(74) *Attorney, Agent, or Firm* — Oliff PLC

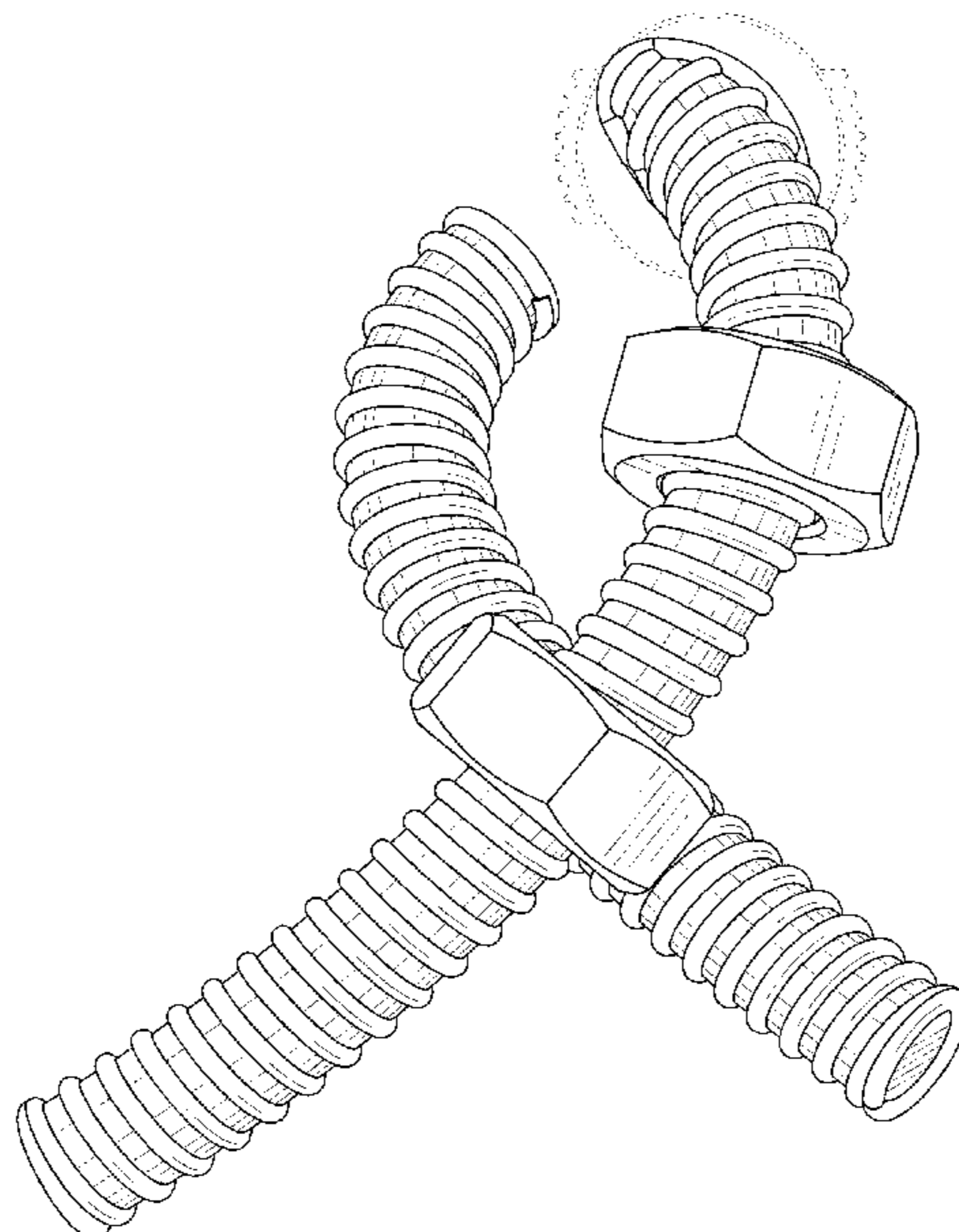
(57) **CLAIM**

The ornamental design for an article of jewelry, as shown and described.

**DESCRIPTION**

FIG. 1 is a front elevational view of an article of jewelry, showing the new design;  
 FIG. 2 is a rear elevational view thereof;  
 FIG. 3 is a bottom plan view thereof;  
 FIG. 4 is a top plan view thereof;  
 FIG. 5 is a left-side elevational view thereof;  
 FIG. 6 is a right-side elevational view thereof; and,  
 FIG. 7 is a front, right-side, top perspective view thereof.  
 The broken lines depict parts of the article of jewelry that form no part of the claimed design.

**1 Claim, 7 Drawing Sheets**



(56)

**References Cited**

U.S. PATENT DOCUMENTS

D915,931 S \* 4/2021 Fillon ..... D11/34  
2018/0220755 A1\* 8/2018 Bonner ..... A44C 15/005

\* cited by examiner

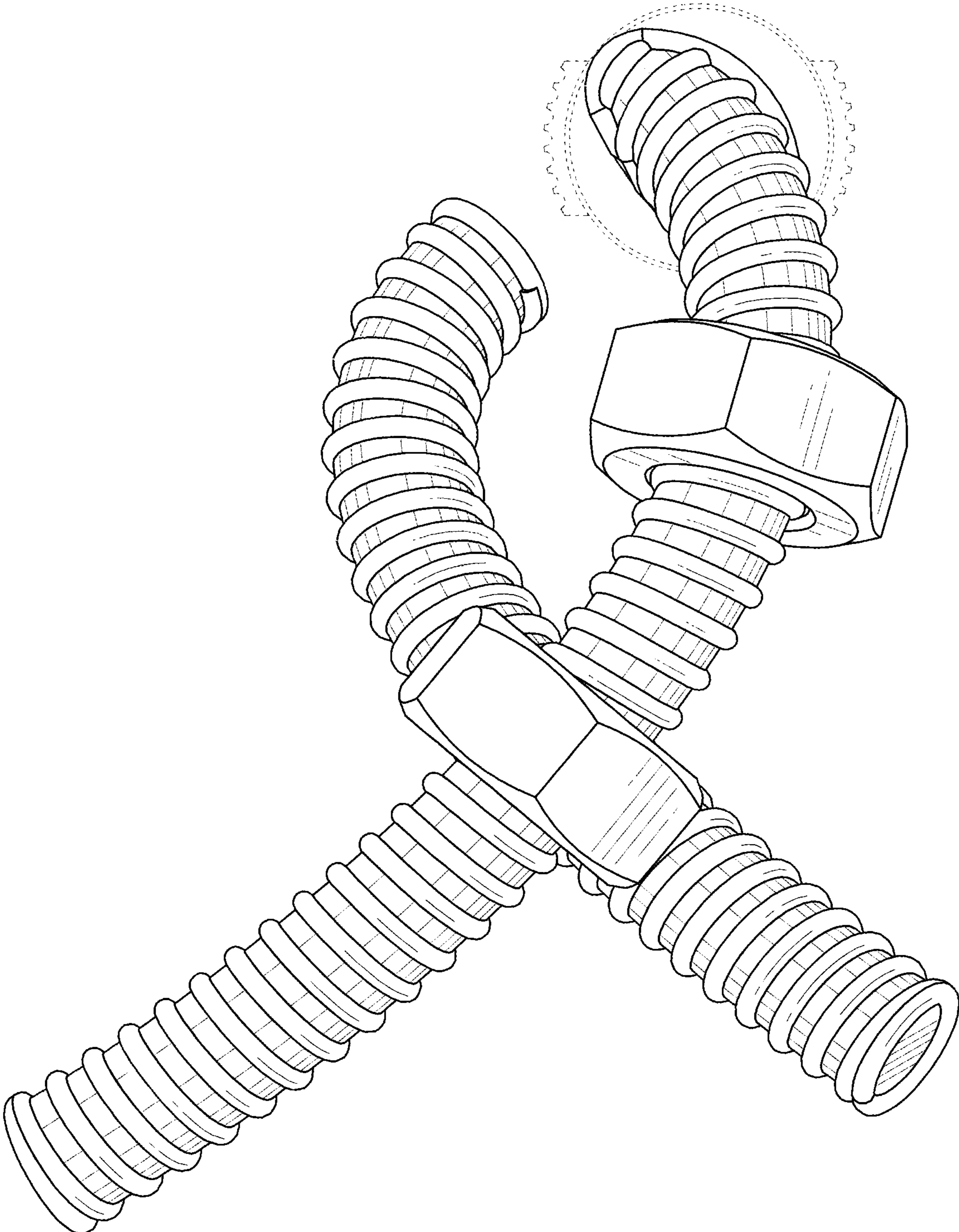


FIG. 1

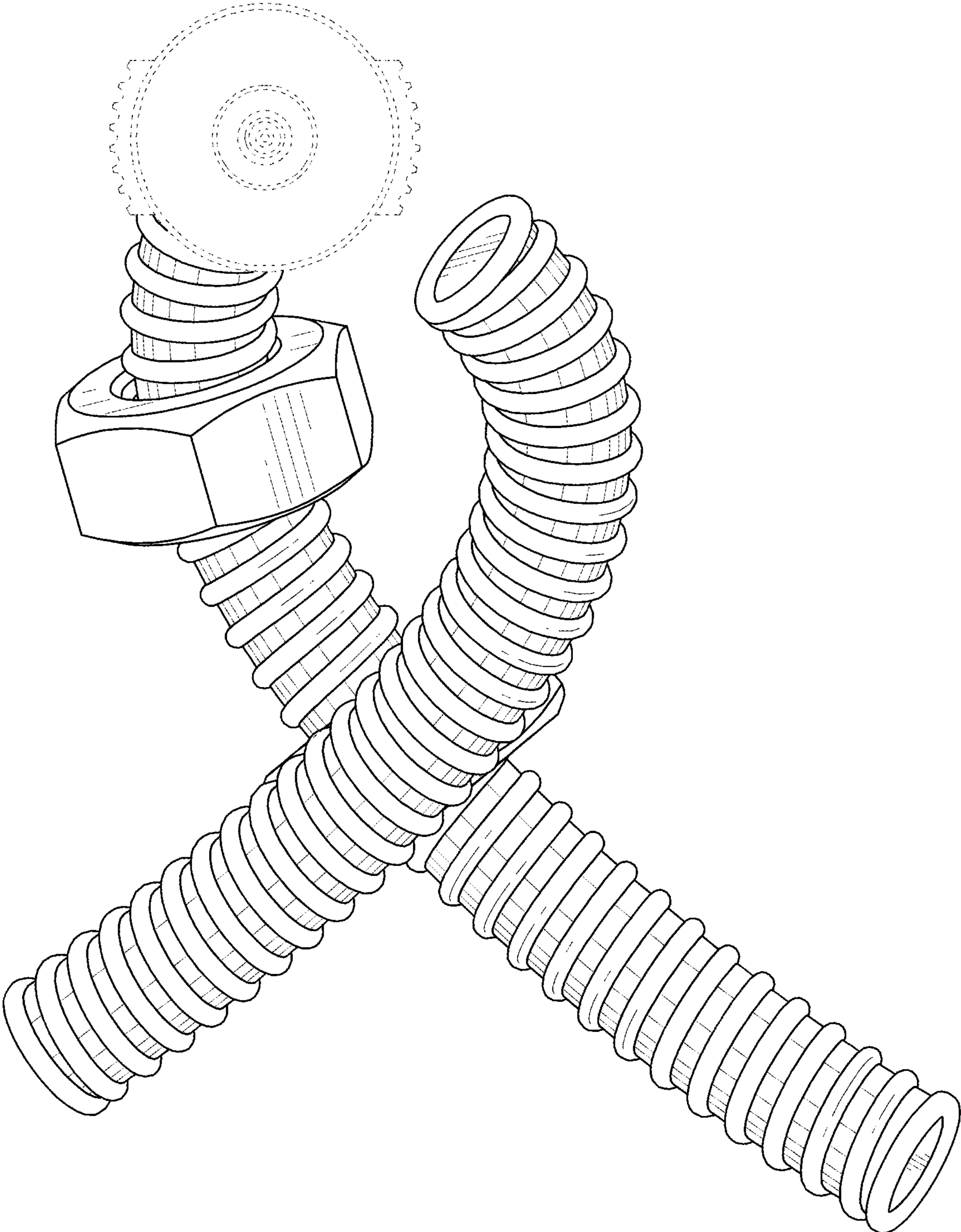


FIG. 2

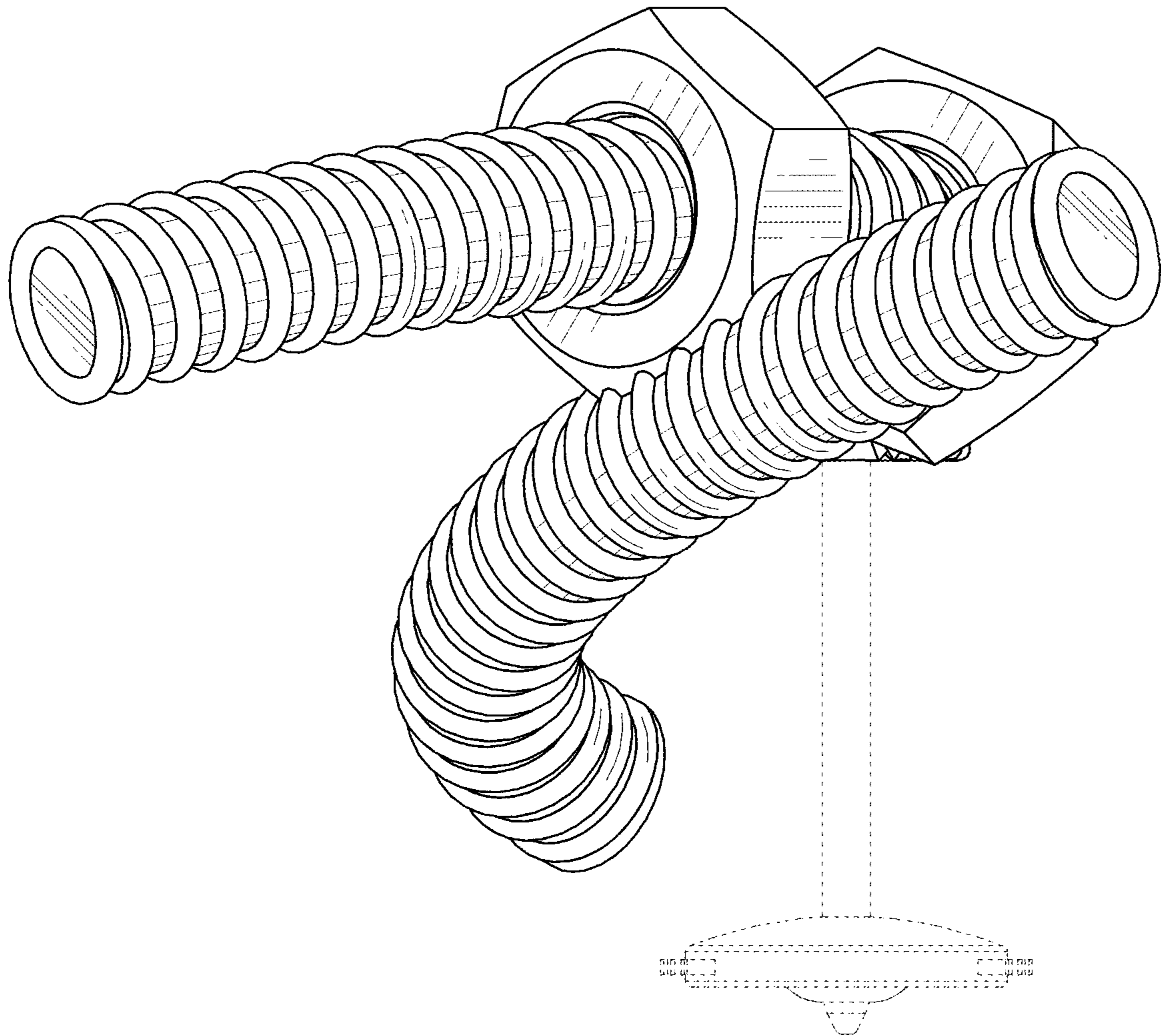


FIG. 3

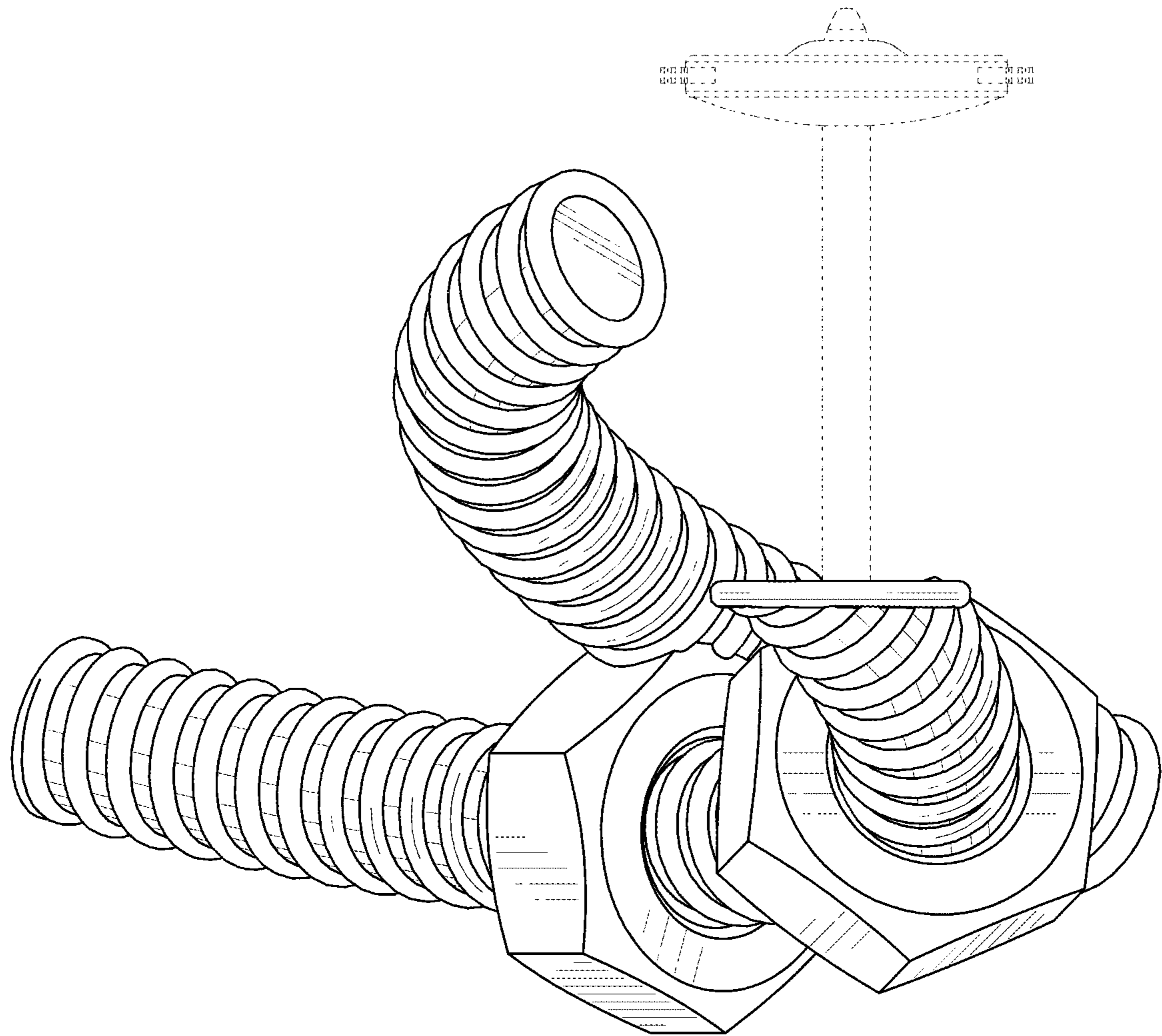


FIG. 4

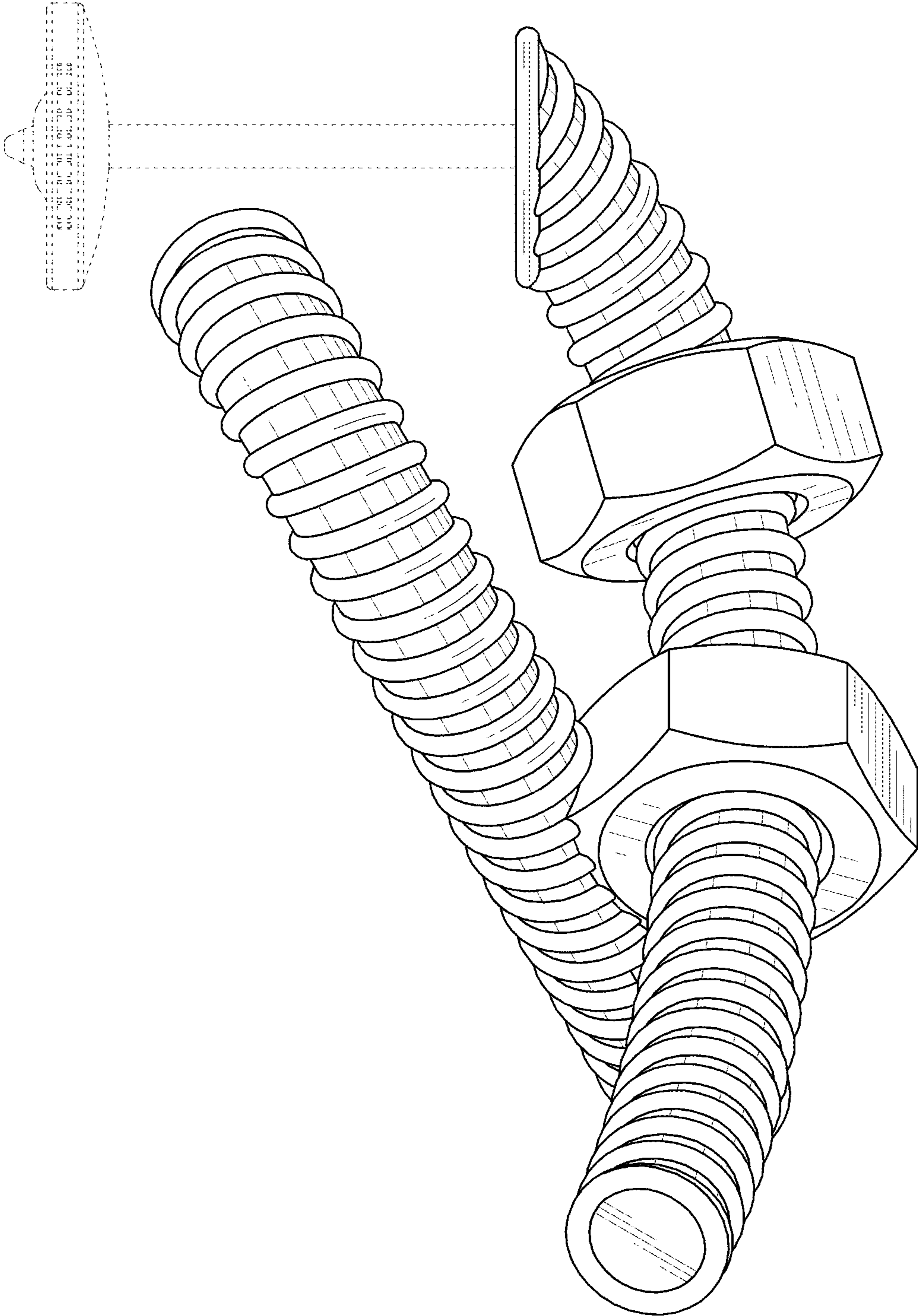


FIG. 5

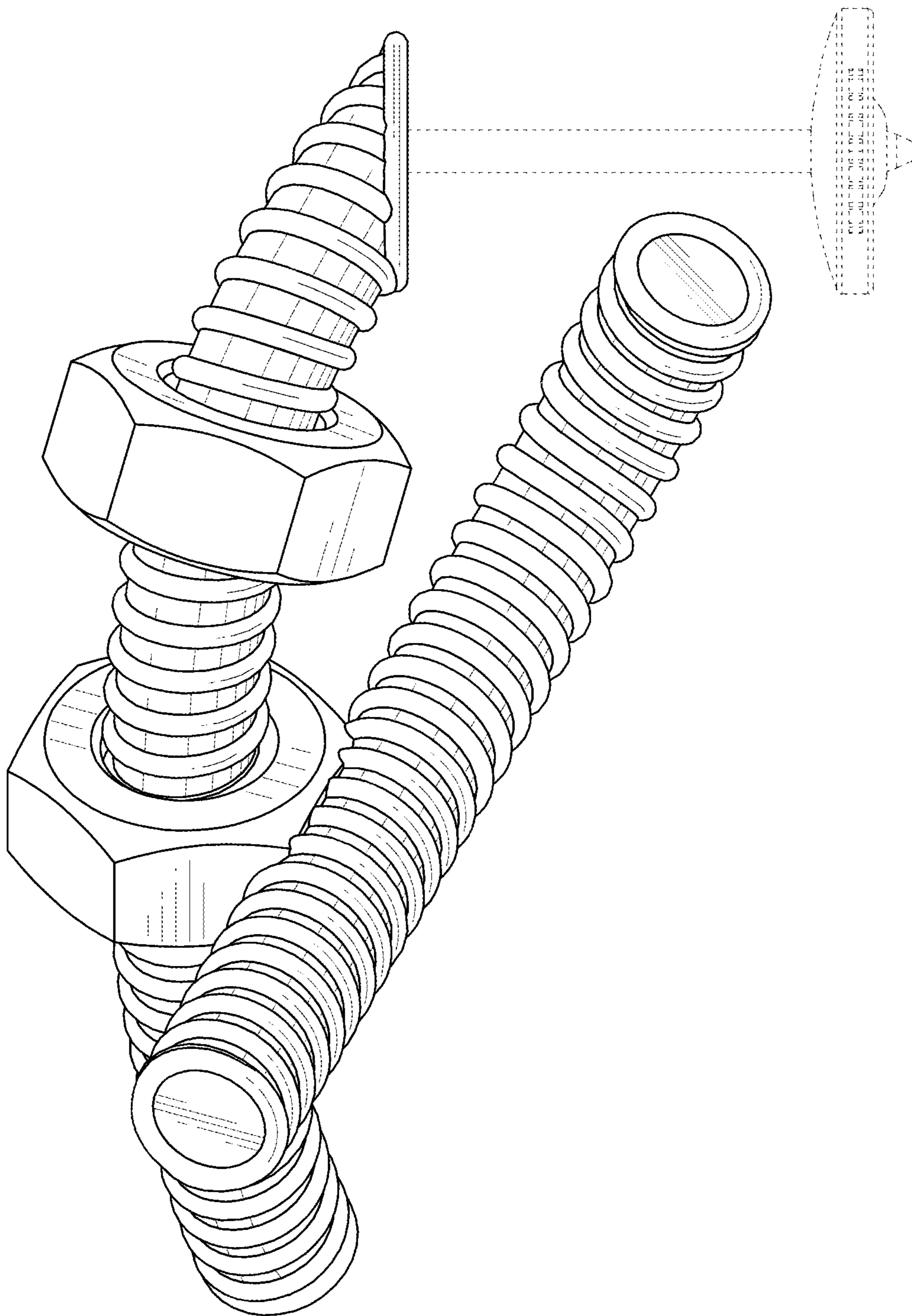


FIG. 6



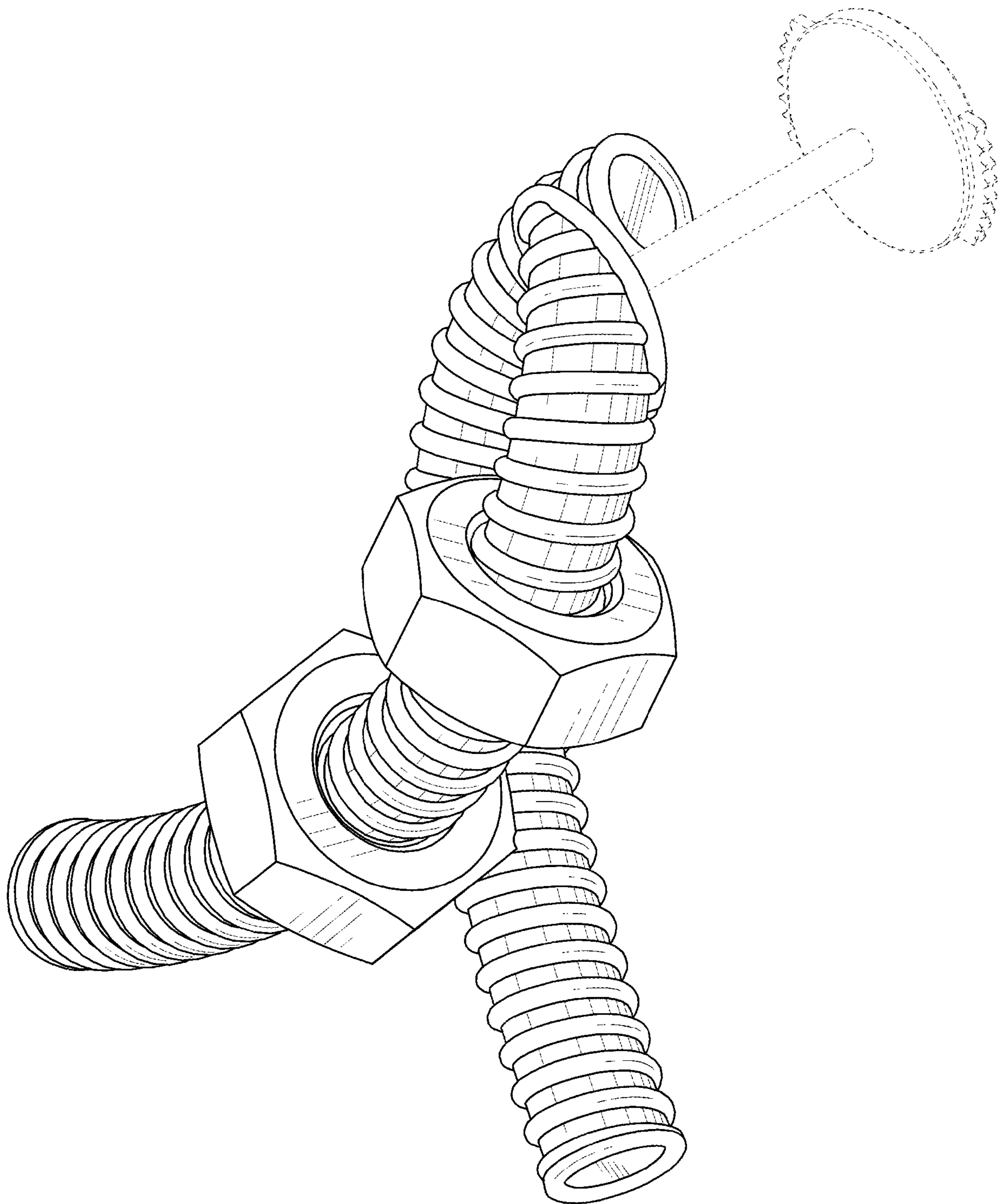


FIG. 7