



US00D934715S

(12) **United States Design Patent**
Akana et al.

(10) **Patent No.:** **US D934,715 S**

(45) **Date of Patent:** **** *Nov. 2, 2021**

(54) **BAND**

(71) Applicant: **Apple Inc.**, Cupertino, CA (US)

(72) Inventors: **Jody Akana**, San Francisco, CA (US); **Molly Anderson**, San Francisco, CA (US); **Bartley K. Andre**, Palo Alto, CA (US); **Shota Aoyagi**, San Francisco, CA (US); **Anthony Michael Ashcroft**, San Francisco, CA (US); **Jeremy Bataillou**, San Francisco, CA (US); **Daniel J. Coster**, San Francisco, CA (US); **Daniele De Iuliis**, San Francisco, CA (US); **M. Evans Hankey**, San Francisco, CA (US); **Julian Hoenig**, San Francisco, CA (US); **Richard P. Howarth**, San Francisco, CA (US); **Jonathan P. Ive**, San Francisco, CA (US); **Duncan Robert Kerr**, San Francisco, CA (US); **Marc A. Newson**, London (GB); **Matthew Dean Rohrbach**, San Francisco, CA (US); **Peter Russell-Clarke**, San Francisco, CA (US); **Benjamin Andrew Shaffer**, San Jose, CA (US); **Mikael Silvano**, San Francisco, CA (US); **Christopher J. Stringer**, Woodside, CA (US); **Eugene Antony Whang**, San Francisco, CA (US); **Rico Zörkendörfer**, San Francisco, CA (US)

(73) Assignee: **Apple Inc.**, Cupertino, CA (US)

(*) Notice: This patent is subject to a terminal disclaimer.

(**) Term: **15 Years**

(21) Appl. No.: **29/736,301**

(22) Filed: **May 29, 2020**

Related U.S. Application Data

(63) Continuation of application No. 29/675,320, filed on Dec. 31, 2018, now Pat. No. Des. 885,958, which is

a continuation of application No. 29/578,558, filed on Sep. 22, 2016, now Pat. No. Des. 836,922, which is a continuation of application No. 29/557,214, filed on Mar. 7, 2016, now Pat. No. Des. 789,822.

(51) **LOC (13) CI.** **11-01**

(52) **U.S. CI.**
USPC **D11/3**

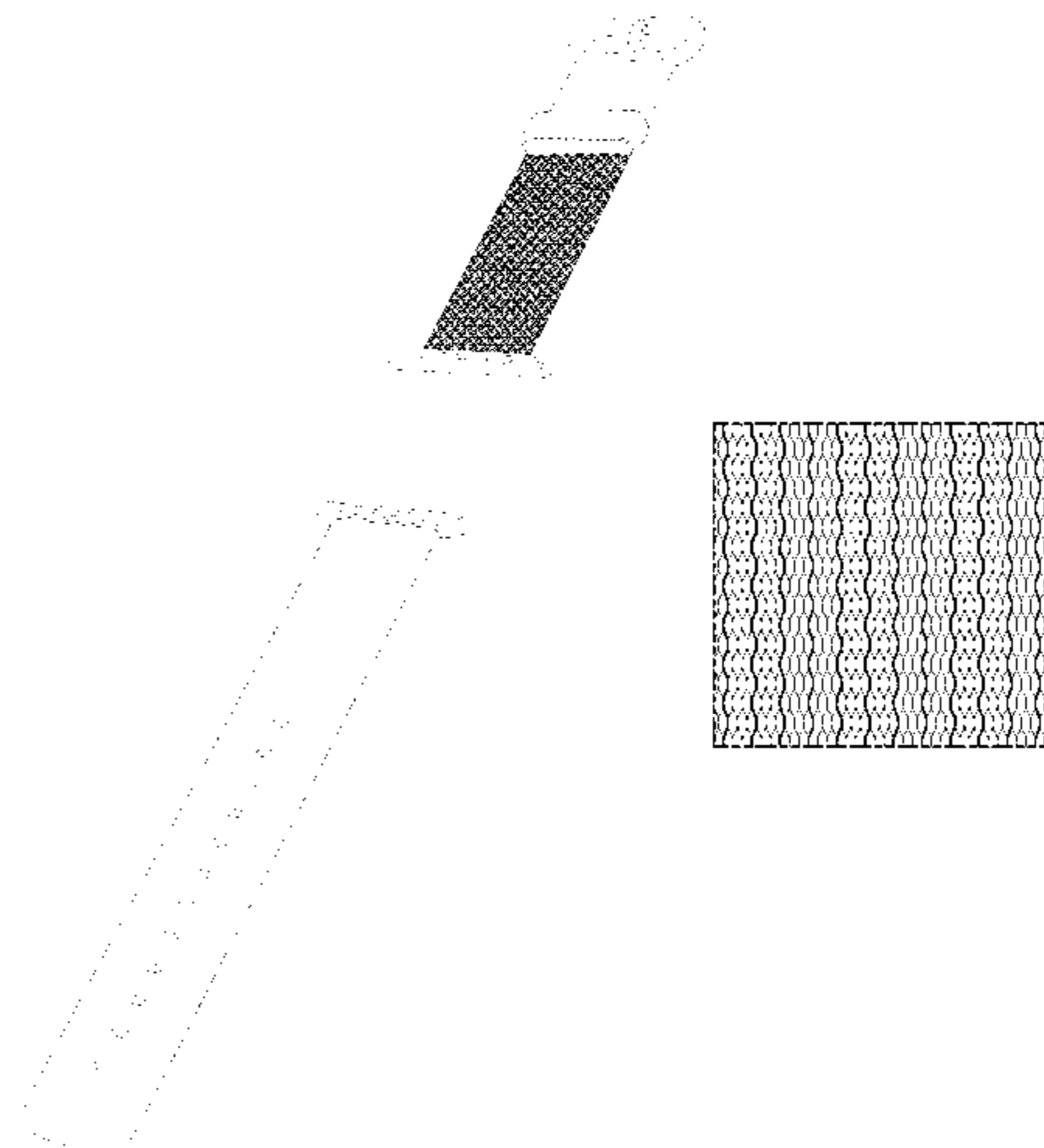
(58) **Field of Classification Search**
USPC D10/30-39, 122-127; D11/1-39, 86-94;
D14/344; D5/7, 47, 54-56, 60-61, 99
CPC A44C 5/00; A44C 5/0007; A44C 5/0053;
A44C 5/14; A44C 5/142; A44C 5/147;
G04B 37/1486

See application file for complete search history.

(56) **References Cited**

U.S. PATENT DOCUMENTS

137,989 A	4/1873	Whitney, Jr.	
D47,833 S	9/1915	Slayter	
1,469,056 A *	9/1923	Sullivan	G04C 17/02 368/41
1,725,786 A	8/1929	Eklund	
D80,307 S	1/1930	Conant	
1,807,440 A	5/1931	Schraysshuen et al.	
D88,165 S *	11/1932	Megroz	D5/56
2,266,953 A	12/1941	Blue	
2,280,490 A	4/1942	Keltie	
2,397,797 A	4/1946	Curto	
2,451,750 A	10/1948	Kreisler et al.	
2,456,319 A *	12/1948	Read	A44C 5/14 224/166
D181,889 S	1/1958	Taylor	
D184,937 S	4/1959	Howell	
3,030,686 A	4/1962	Burkhardt	
3,203,067 A	8/1965	Elsner	
3,204,314 A	9/1965	Sokoloff	
D203,859 S *	2/1966	Anderson	D11/13
3,346,930 A	10/1967	Browning	
3,394,438 A	7/1968	Nelson	
3,609,963 A	10/1971	Minoru	
3,640,065 A	2/1972	Lederrey et al.	
3,665,565 A	5/1972	Kruger	
3,675,284 A	7/1972	Rieth	
3,798,729 A *	3/1974	Tanaka	B21F 43/00 29/896.3
3,999,251 A	12/1976	Payant	



US D934,715 S

4,089,161	A *	5/1978	Aoki	A44C 5/107 59/80	D672,154	S *	12/2012	Huss	D5/56
D270,430	S	9/1983	Fukuoka		D674,488	S	1/2013	McKay et al.	
D287,471	S	12/1986	Sato et al.		D681,483	S	5/2013	Biegert et al.	
4,627,231	A	12/1986	Kiuchi		8,490,436	B2	7/2013	Chung et al.	
4,846,230	A *	7/1989	Mock	A41F 9/002 139/383 R	8,601,784	B2	12/2013	Kaltenrieder	
D303,635	S	9/1989	Kurzinaj et al.		8,613,544	B2	12/2013	Kitahara et al.	
D305,743	S	1/1990	Hirsch		D699,701	S	2/2014	Kim	
D317,413	S	6/1991	Veronesi		8,647,268	B2	2/2014	Tran	
D320,356	S	10/1991	Boyer et al.		8,766,805	B2	7/2014	Alameh et al.	
D323,783	S	2/1992	Margaritelli		D715,674	S	10/2014	Squires	
D331,020	S	11/1992	Ishii et al.		D719,123	S	12/2014	Park et al.	
5,201,789	A	4/1993	Fontana		D719,467	S	12/2014	Bradbury	
5,265,009	A	11/1993	Colavita		D720,249	S	12/2014	Park et al.	
D343,584	S	1/1994	Olmes et al.		8,960,510	B2	2/2015	Bertucci	
D344,038	S	2/1994	Phillips et al.		D724,176	S	3/2015	Maestas	
D350,351	S	9/1994	Nakamura		D724,469	S	3/2015	Akana et al.	
5,363,351	A	11/1994	Carney		D726,056	S	4/2015	Riddiford et al.	
5,386,933	A	2/1995	Greene et al.		D727,183	S	4/2015	Park et al.	
5,574,701	A	11/1996	Harilela		D727,197	S	4/2015	Akana et al.	
5,589,376	A	12/1996	Anderson et al.		D727,198	S	4/2015	Akana et al.	
D377,613	S	1/1997	Consolo		D727,199	S	4/2015	Akana et al.	
D377,914	S	2/1997	Riley		D727,759	S	4/2015	Martinez et al.	
D379,327	S	5/1997	Navera		D727,787	S	4/2015	Akana et al.	
D379,775	S	6/1997	Gazzola		D728,624	S	5/2015	Akana et al.	
D379,940	S	6/1997	Riley		D729,670	S	5/2015	Nuovo et al.	
D382,819	S	8/1997	Shapiro et al.		D730,209	S	5/2015	Wolos et al.	
D383,985	S	9/1997	Davenport		D731,346	S	6/2015	Akana et al.	
D386,980	S	12/1997	Houlihan		D732,022	S	6/2015	Song	
D394,402	S	5/1998	Riley et al.		D732,527	S *	6/2015	Kim	D14/344
5,886,669	A	3/1999	Kita		D733,131	S *	6/2015	Kim	D14/344
D409,504	S	5/1999	Collier		9,060,683	B2	6/2015	Tran	
D438,812	S	3/2001	Bert		D734,330	S	7/2015	Huang et al.	
D439,172	S	3/2001	Brzezinski		D737,156	S	8/2015	Akana et al.	
D440,901	S	4/2001	Bruce et al.		D737,157	S	8/2015	Akana et al.	
6,219,303	B1	4/2001	Morohoshi et al.		D737,158	S	8/2015	Akana et al.	
D441,680	S	5/2001	Bruce et al.		D737,159	S	8/2015	Akana et al.	
6,238,083	B1	5/2001	Hirano et al.		D737,166	S *	8/2015	Aumiller	D11/3
D455,662	S	4/2002	Johnston et al.		D738,971	S	9/2015	Riddiford et al.	
D461,726	S	8/2002	Jamin		D739,780	S	9/2015	Akana et al.	
6,450,345	B1	9/2002	Adams et al.		D741,726	S	10/2015	Akana et al.	
D473,818	S	4/2003	Salvisberg		9,155,168	B2	10/2015	Araujo et al.	
6,655,831	B1	12/2003	Ruffieux		9,171,434	B2	10/2015	Faaborg et al.	
D494,098	S	8/2004	Cohen		D744,356	S	12/2015	Akana et al.	
D496,589	S	9/2004	Perrenoud		D745,421	S	12/2015	Akana et al.	
6,801,476	B2	10/2004	Gilmour		D745,515	S	12/2015	Solomon et al.	
6,970,157	B2	11/2005	Siddeeq		D746,707	S	1/2016	Akana et al.	
D513,195	S	12/2005	Gruosi		D748,008	S	1/2016	Akana et al.	
7,004,469	B2	2/2006	Von Goeben		D748,009	S	1/2016	Akana et al.	
D528,439	S	9/2006	Burton		D748,010	S	1/2016	Akana et al.	
D528,928	S	9/2006	Burton		D748,527	S	2/2016	Akana et al.	
7,106,197	B2	9/2006	Gaiotto et al.		D749,009	S	2/2016	Akana et al.	
D535,205	S	1/2007	Frederick et al.		D749,460	S	2/2016	Akana et al.	
7,275,667	B2	10/2007	Bertucci		D750,524	S	3/2016	Akana et al.	
D557,903	S	12/2007	Harkenrider		D750,525	S	3/2016	Akana et al.	
D558,227	S	12/2007	Cho et al.		D751,070	S	3/2016	Akana et al.	
D564,904	S	3/2008	Leung		D751,550	S	3/2016	Solomon et al.	
D566,972	S	4/2008	Harkenrider		D752,044	S	3/2016	Akana et al.	
D572,266	S	7/2008	Anderson et al.		D753,008	S	4/2016	Akana et al.	
D574,735	S	8/2008	Landman et al.		D755,070	S	5/2016	Akana et al.	
D578,922	S	10/2008	Hoshino		D756,357	S	5/2016	Akana et al.	
D584,170	S	1/2009	Morrison		D756,824	S	5/2016	Akana et al.	
D586,823	S	2/2009	Anderson et al.		D757,722	S	5/2016	Akana et al.	
D589,375	S	3/2009	Tang		D758,363	S	6/2016	Akana et al.	
D596,610	S	7/2009	Hou		D759,011	S	6/2016	Akana et al.	
D599,680	S	9/2009	Schoepfer		D759,725	S	6/2016	Akana et al.	
D606,889	S	12/2009	Nusbaumer		D760,395	S	6/2016	Barbaric et al.	
D612,748	S	3/2010	Jorst et al.		D764,340	S	8/2016	Akana et al.	
D616,417	S	5/2010	Liao		D764,341	S	8/2016	Akana et al.	
7,708,457	B2	5/2010	Girardin et al.		D764,967	S	8/2016	Akana et al.	
D622,164	S	8/2010	Mikkelsen		D766,115	S	9/2016	Ma	
D631,373	S	1/2011	Mikkelsen		D766,752	S	9/2016	Akana et al.	
D637,094	S	5/2011	Cobbett et al.		D768,025	S	10/2016	Akana et al.	
D637,918	S	5/2011	Cobbett et al.		D768,030	S	10/2016	Akana et al.	
D643,772	S	8/2011	Mikkelsen		D768,623	S	10/2016	Zou et al.	
D650,706	S	12/2011	Zanella et al.		D768,634	S	10/2016	Akana et al.	
D657,513	S *	4/2012	Wildeman	D32/40	D769,869	S	10/2016	Zhou et al.	
D666,503	S	9/2012	Bulgari		D771,035	S	11/2016	Akana et al.	
					D771,036	S	11/2016	Akana et al.	
					D777,163	S	1/2017	Akana et al.	

D777,590 S	1/2017	Nielsen et al.
D778,912 S	2/2017	Akana et al.
D781,171 S	3/2017	Akana et al.
D781,853 S	3/2017	Akana et al.
D784,831 S	4/2017	Akana et al.
D786,127 S	5/2017	Akana et al.
D789,822 S	6/2017	Akana et al.
D790,374 S	6/2017	Lean et al.
D795,121 S	8/2017	Akana et al.
9,745,676 B2	8/2017	Hatanaka et al.
D806,071 S	12/2017	Akana et al.
D812,052 S	3/2018	Akana et al.
D813,076 S	3/2018	Akana et al.
9,938,646 B2	4/2018	Hamada et al.
D822,529 S	7/2018	Akana et al.
D826,406 S	8/2018	Paschke
D828,835 S	9/2018	Akana et al.
D829,123 S	9/2018	Nielsen
D837,082 S	1/2019	Akana et al.
D837,674 S	1/2019	Akana et al.
D838,619 S	1/2019	Akana et al.
D842,855 S	3/2019	Akana et al.
D843,875 S	3/2019	Akana et al.
D857,542 S *	8/2019	Sun D11/3
10,407,955 B2 *	9/2019	Kessler G06F 1/163
D863,094 S	10/2019	Akana et al.
D883,977 S *	5/2020	Akana D14/344
D885,958 S	6/2020	Akana et al.
2001/0017663 A1	8/2001	Yamaguchi et al.
2002/0051075 A1	5/2002	Yamaguchi et al.
2007/0070823 A1	3/2007	Sima
2009/0056084 A1	3/2009	Chang
2010/0061191 A1	3/2010	Chen
2011/0197400 A1	8/2011	Chevrolet
2014/0096345 A1	4/2014	Tschumi
2014/0098649 A1	4/2014	Tschumi
2017/0046451 A1	2/2017	Akana et al.
2017/0265607 A1	9/2017	Hatanaka et al.
2018/0138430 A1	5/2018	Chu et al.

FOREIGN PATENT DOCUMENTS

CH	713641 A2	9/2018
DE	19513647 A1	10/1995
DE	10229050 C1	6/2003
EM	004695294-0001	2/2018
EM	004695294-0002	2/2018
EM	004731131-0029	3/2018
EM	005250941-0001	5/2018
EM	005251469-0001	5/2018
EM	005251493-0001	5/2018
EM	005251519-0001	5/2018
EM	005251527-0001	5/2018
EM	005251543-0001	5/2018
EP	1098231 A1	5/2001
EP	001109706-0025	5/2009
EP	2636328 A1	9/2013
ES	001359301-0002	6/2013
GB	618917 A	3/1949
GB	1056574	8/1989
GB	2047767	9/1995
GB	2049316	12/1995
GB	2082277	6/1999
HK	0501949.8	12/2005
HK	1001605.7	12/2010
JP	D1126907	11/2001
JP	D1337795	8/2008
JP	D1423962	9/2011
JP	D1433115	2/2012
JP	D1448029	8/2012
JP	D1462747	2/2013
JP	6311216 B2	4/2018
WO	WO-DM/012262-001	1/1989
WO	WO-DM/049450-002	12/1999
WO	WO-DM/066491-004	3/2005
WO	WO-DM072215	9/2009
WO	WO-DM/077452-004	6/2011
WO	WO-DM/079044-003	9/2012

WO	WO-2013182397 A1	12/2013
WO	WO-2014135709 A2	9/2014
WO	WO-D098234-001	4/2018

OTHER PUBLICATIONS

All your Apple Watch bands will fit the new Series 4 models; Date: Sep. 12, 2018 (dated by WayBack Machine), Retrieved from the Internet: (URL: <https://www.idownloadblog.com/2018/09/12/all-apple-watch-bands-fit-series-4/>).

Alvarez, Edgar, "Basis Peak to get its smartwatch-like features in December," [engadget.com](http://www.engadget.com/2014/11/20/basis-peak-new-features/), <<http://www.engadget.com/2014/11/20/basis-peak-new-features/>>, dated Nov. 20, 2014, accessed Dec. 15, 2014.

Apple's new Woven Nylon band (available online Mar. 23, 2016) Retrieved from the internet Feb. 24, 2016, retrieved from the internet URL: <https://9to5mac.com/2016/03/23/hands-on-apples-new-woven-nylon-band-fo-ripple-watch-gallery>.

Cool Material, "Braun Square Digital Watch," <<http://web.archive.org/web/20111125033014/http://coolmaterial.com/style/braun-square-digital-watch/>>, dated Nov. 25, 2011, accessed Dec. 18, 2014.

Emily, "Nixon—The Newton Digital," <<http://www.freshnessmag.com/2009/09/08/nixon-the-newton-digital/>>, freshnessmag.com, dated Sep. 8, 2009, accessed Oct. 9, 2014.

etsy.com, "1 Set Silver End Cap Clasp—Findings Large Toggle Clasp End Caps Buckle Connector with Five Inside Loops for Jewelry Making 26mm," <<http://www.etsy.com/listing/101269004/1-set-silver-end-cap-clasp-findings?ref=market>>, Listed on Aug. 29, 2014, accessed Oct. 9, 2014.

"Field Ops Watch Band Kit" <<http://www.511tactical.com/field-ops-watch-band-kit.html>>, accessed Nov. 25, 2014.

Fitbit, "Fitbit Surge™ Fitness Super Watch" <<https://www.fitbit.com/surge>>, accessed Dec. 15, 2014.

Free Silicone Band, Inteny Apple Watch Band Series 1 Series 2 Colorful Pattern Woven Nylon Band Replacement Wrist Bracelet Strap Buckle for iWatch, 38mm, Toasted Coffee & Caramel, posted unknown, [retrieved Oct. 27, 2016]. Retrieved from Internet, URL: <https://www.amazon.com/dp/B01LXBIO6M?psc=1>.

geekbuying.com, "Makibes unisex red led digital wrist watch with square case silicone watchband—white," <<http://www.geekbuying.com/item/Unisex-Red-LED-Digital-Wrist-Watch-with-Square-Case-Silicone-Watchband---White-326443.html>>, accessed Oct. 9, 2014.

Google's upcoming smartwatch is an Android project not X Lab, posted Mar. 22, 2013, [retrieved Jul. 22, 2016]. Retrieved from Internet, <URL: <http://www.talkandroid.com/155456-google-upcoming-smartwatch-is-an-android-project-not-x-lab/>>.

Hiemstra, Graham, "Worn & Wound Model 1 Horween Watch Strap," <<http://www.coolhunting.com/style/worn-wound-model-1-horween-watch-strap>>, dated Aug. 27, 2013, accessed Nov. 25, 2014.

Hilbourne, Jason, "Wide Body: straps for Pebble," <<https://www.kickstarter.com/projects/1171859847/wide-body-straps-for-pebble>>, Listed Apr. 2, 2013, accessed Nov. 25, 2014.

Hodinkee.com, "Apple iPod Nano Now Available With Mickey Mouse Dial, Also Cheesy, Mechanically Inaccurate Open-Worked Dial," <<http://web.archive.org/web/20111006043916/http://www.hodinkee.com/blog/2011/10/5/apple-ipod-nano-now-available-with-mickey-mouse-dial-also-ch.html>>, dated Oct. 6, 2011, accessed Dec. 18, 2014.

Homego, "M6 Silver Smart Watch Cell Phone 1.54 inch Bluetooth 3.0 Dialer Outdoor Sports Pedometer," amazon.com, <<http://www.amazon.com/Silver-Bluetooth-Dialer-Outdoor-Pedometer/dp/B00MQTBGK6>>, accessed Dec. 15, 2014.

Home/smart watches/Apple/Watch Sport 38mm Alluminium Case Nylon Pink, posted Mar. 2015, [retrieved Jun. 20, 2017]. Retrieved from Internet, URL: <https://www.mobileshop.eu/smart-watches/apple/watch-sport-38mm-alluminium-case-nylon-pink/>.

Ikepod, "Original Ikepod Watch With GMT—Marc Newson Design," Watchbox.be, <<http://www.watchbox.be/prod/Others-Watches/Marc%20Newson%20Design/item7165.htm#.VJLm2fAo5D8>>, accessed Dec. 17, 2014.

LG Life's Good, "LG G Watch (W100)," < <http://www.lg.com/us/smart-watches/lg-W100-g-watch>>, accessed Dec. 18, 2014.

Metawatch, "FRAME—Black (MW3005)," < <http://meta.watch/collections/smartwatch-all/products/frame-ss-black-leather>>, accessed Dec. 15, 2014.

Omate, "Omate TrueSmart: Water-resistant standalone Smartwatch 2.0," <<http://www.kickstarter.com/projects/omate/omate-truesmart-water-resistant-standalone-smartwa>>, dated Aug. 21, 2013, accessed Oct. 8, 2014.

Omate Smartwatch Launches On Kickstarter Offering A Wealth Of Features, posted Aug. 22, 2013, [retrieved Jul. 22, 2016]. Retrieved from Internet, URL: <http://www.geeky-gadgets.com/omate-smartwatch-launches-on-kickstarter-offering-a-wealth-of-features-video-22-08-2013/>.

[Online] http://a.abcnews.com/images/Business/HT_gold_apple_iwatch_jef_140909_4x3_992.jpg, Retrieved on Feb. 4, 2015, 1 page.

Pebble, "Pebble Smartwatch," [getpebble.com](https://getpebble.com/checkout), < <https://getpebble.com/checkout>>, accessed Dec. 15, 2014.

Samsung, "Samsung Gear™ 2 Charcoal Black SM-R3800VSAXAR," <<http://www.samsung.com/us/mobile/wearable-tech/SM-R3800VSAXAR>>, accessed Dec. 15, 2014.

Samsung, "Samsung Gear S™, (Sprint), Black SM-R750PZKASPR," <<http://www.samsung.com/us/mobile/wearable-tech/SM-R750PZKASPR>>, accessed Dec. 15, 2014.

Samsung, "Galaxy Gear™ Live, Black SM-R3820ZKAXAR," <<http://www.samsung.com/us/mobile/wearable-tech/SM-R3820ZKAXAR>>, accessed Dec. 15, 2014.

Sony, "Smartwatch," < <http://www.sonymobile.com/us/products/accessories/smartwatch/>>, accessed Dec. 15, 2014.

Sony, "Smartwatch 3 SWR50," <<http://www.sonymobile.com/us/products/smartwear/smartwatch-3-swr50/>>, accessed Dec. 15, 2014.

Stables, James, "Clevercare smartwatch aims to help Alzheimer's suffers and carers: Revamped Sony Smartwatch 2 designed for users that need care," Wearable News, <<http://www.wearable.com/wearable-tech/clevercare-smartwatch-aims-to-help-alzheimers-suffers-and-carers-585>>, dated Dec. 15, 2014.

Ted Baker, "Ted Baker Men's TE1054 Time Flies Contemporary Square Digital Case Watch," < <http://www.amazon.com/Ted-Baker-TE1054-Contemporary-Digital/dp/B0045CRTYO%3FSubscriptionId%3DAKIAJ3U4YRIBWCGGKZ2A%26tag%3Dfrases365-20%26linkCode%3Dsp1%26camp%3D2025%26creative%3D165953%26creativeASIN%3DB0045CRTYO>>, accessed Oct. 9, 2014.

The Alt Team, "Ziliro Celeste Watch Hands-On", Dec. 12, 2012, (<http://www.gadgetmac.com/alt/ziliro-celeste-watch-hands-on.html>), accessed Dec. 4, 2014.

The Best Third-party Apple Watch Bands, Dec. 21, 2016 (dated by WayBack Machine), Retrieved from Internet, (URL: <https://watchaware.com/best-apple-watch-bands>).

"Timex Men's Q7B808 Ironman Triathlon 30-Lap Resin 16mm Replacement Watchband" <http://www.amazon.com/Timex-Ironman-Triathlon-Replacement-Watchband/dp/B003OPZ5D0/ref=sr_1_1?s=apparel&ie=UTF8&qid=1416701895&sr=1-1&keywords=Timex+Men%27s+Q7B808+Ironman+Triathlon+30-Lap+Resin+16mm+Replacement+Watchband>, accessed Nov. 25, 2014.

Top Brand Luxury Style Daniel Wellington Watches DW Watch For Men Nylon Strap Military Quartz Wristwatch Clock Reloj hombre 40mm, posted unknown, [retrieved Oct. 27, 2016]. Retrieved from Internet, URL: <http://www.dhgate.com/product/topbrand-luxury-style-daniel-wellington/239253633.html>.

Velazco, Chris, "ASUS ZenWatch review: subtle and stylish, with a few shortcomings," Engadget.com, < <http://www.engadget.com/2014/12/11/asus-zenwatch-review/>>, dated Dec. 11, 2014, accessed Dec. 15, 2014.

WatchCat Online Shopping Mall, "PJS Seiko," <http://m.watchcat.co.kr/board/product/read.html?board_no=4&no=27504>, dated Oct. 26, 2012, accessed Oct. 8, 2015.

WatchCat Online Shopping Mall, "PVD Zulu style Military Nylon band/strap," <http://www.watchcat.kr/product/detail.html?product_no=5162&cate_no=642&display_group=1>, dated 2010, accessed Oct. 8, 2015.

Watches Infoniac.com, "Hermes Carre H Watch—Extremely Contemporary Design," <<http://watches.infoniac.com/carre-h-watch-hermes.html>>, dated Aug. 13, 2010, accessed Dec. 18, 2014.

Watchismo, "Braun BN0042 Black Date Leather," <<http://web.archive.org/web/20130815073830/http://www.watchismo.com/braun-bn0042bkbk.aspx>>, dated Aug. 15, 2013, accessed Dec. 18, 2014.

Zulu Military Watch Strap 3D woven Nylon Armband | posted at tungchoywatch.com Jun. 2015 [online]. © 2019 Tungchoy, retrieved on [Apr. 1, 2019], Retrieved from Internet: (http://www.tungchoywatch.com/product_info.php/cPath/194_201/products_id/3665), (Year: 2015).

* cited by examiner

Primary Examiner — Katherine Glennon
(74) *Attorney, Agent, or Firm* — Sterne, Kessler, Goldstein & Fox P.L.L.C.

(57)

CLAIM

The ornamental design for a band, as shown and described.

DESCRIPTION

FIG. 1 is a bottom front perspective view of a band showing the claimed design;

FIG. 2 is a bottom rear perspective view thereof;

FIG. 3 is a front view thereof;

FIG. 4 is a rear view thereof;

FIG. 5 is a left side view thereof;

FIG. 6 is a right side view thereof;

FIG. 7 is a top view thereof;

FIG. 8 is a bottom view thereof;

FIG. 9 is a perspective view thereof showing the band in an environment in which it may be used; and,

FIG. 10 is an enlarged view of the surface area shown in dot-dot-dash lines in FIG. 3 for ease of illustration.

The dashed broken lines in the figures show portions of the band and environment that form no part of the claimed design.

The dot-dash broken lines in FIGS. 1-9 show boundaries that form no part of the claimed design.

The dot-dot-dash broken lines in the figures show boundaries that form no part of the claimed design.

1 Claim, 7 Drawing Sheets

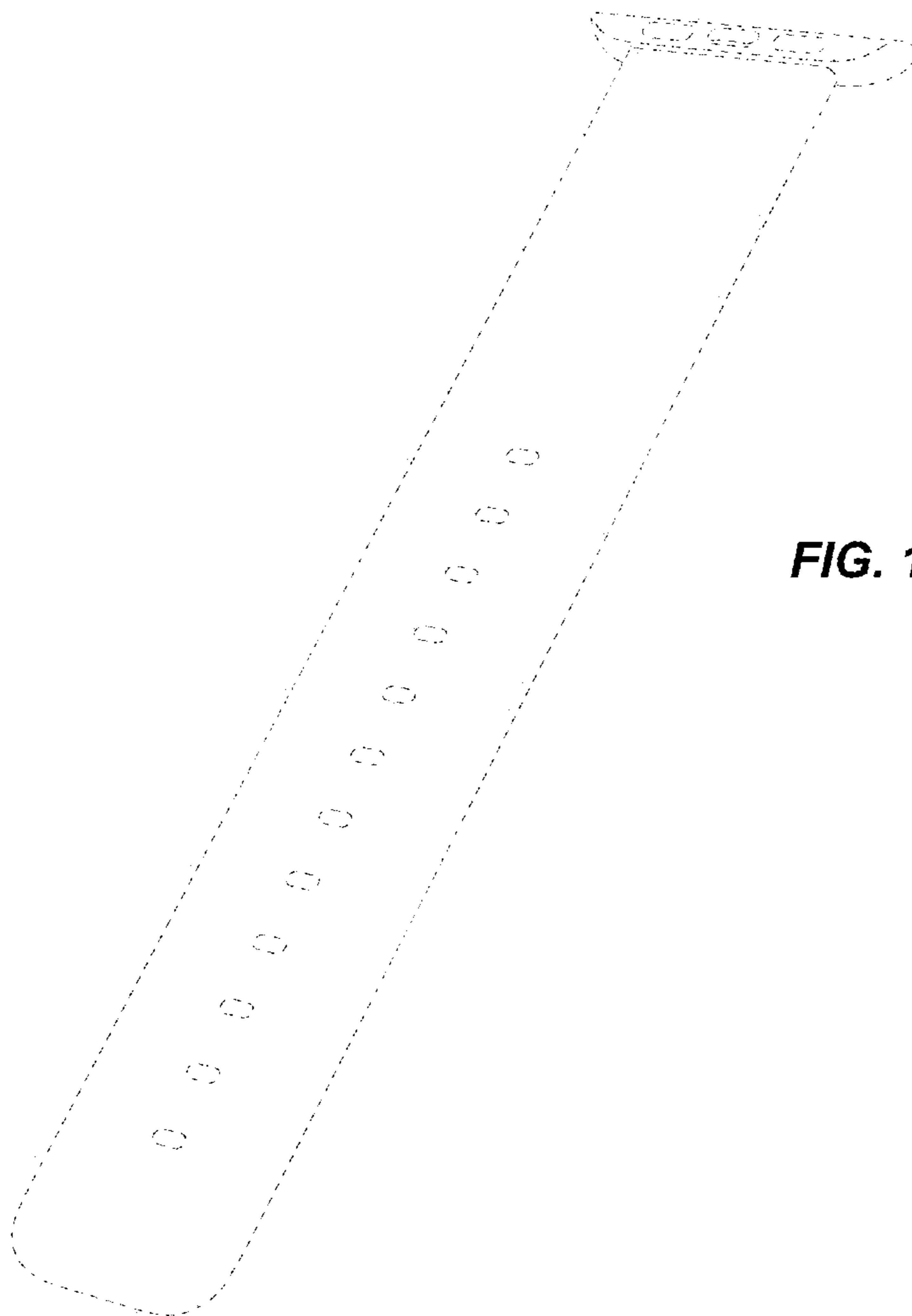
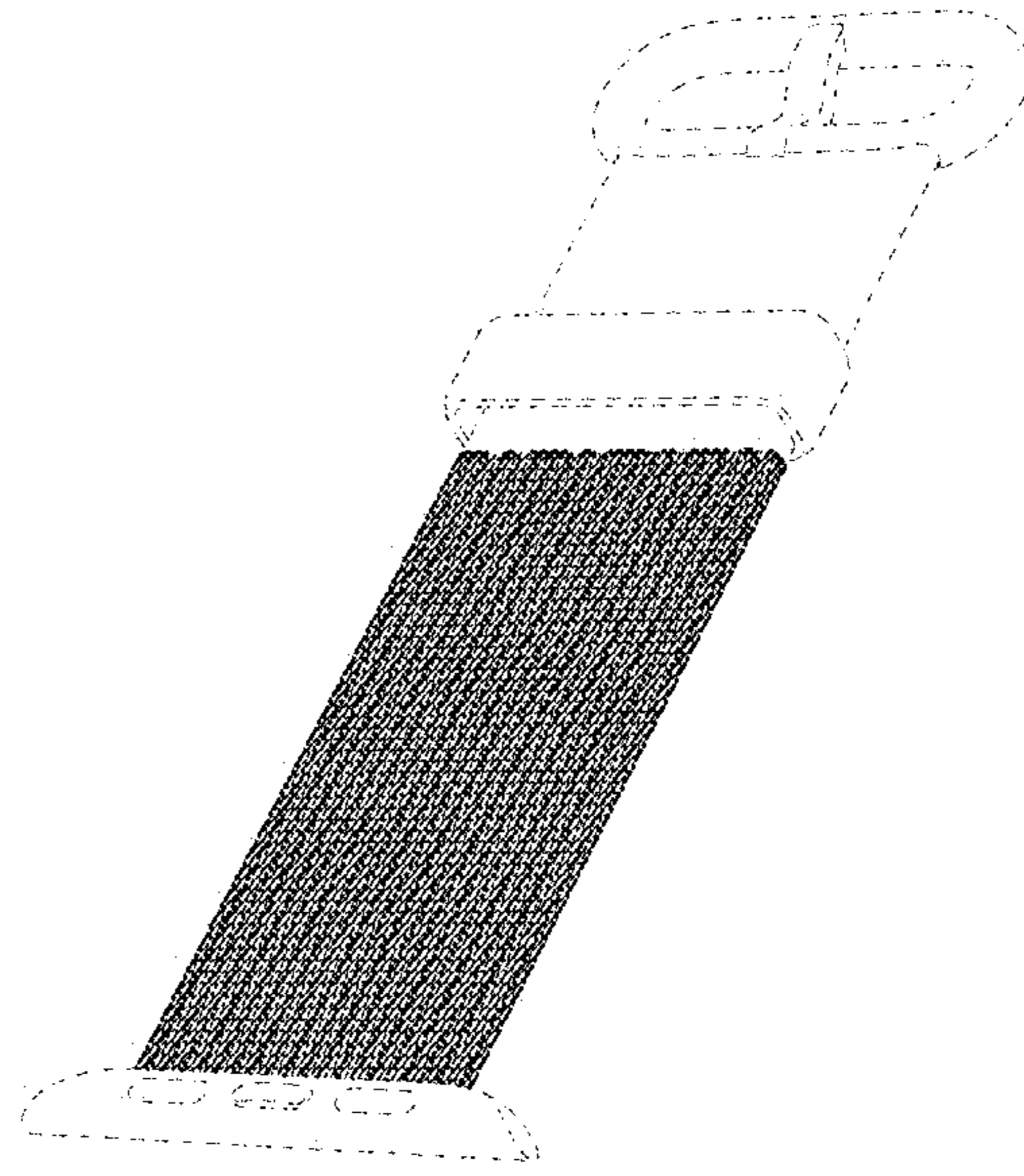


FIG. 1

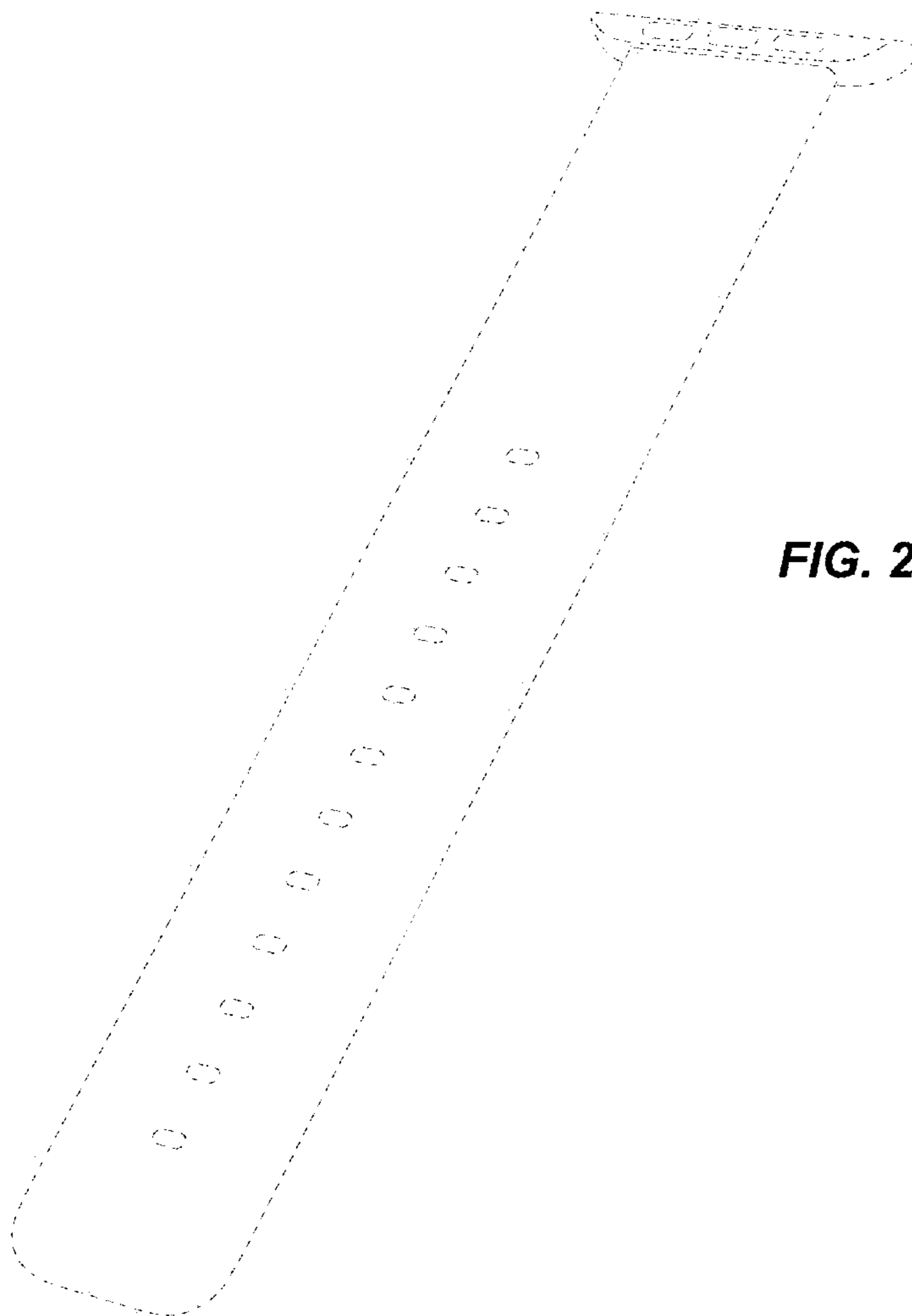
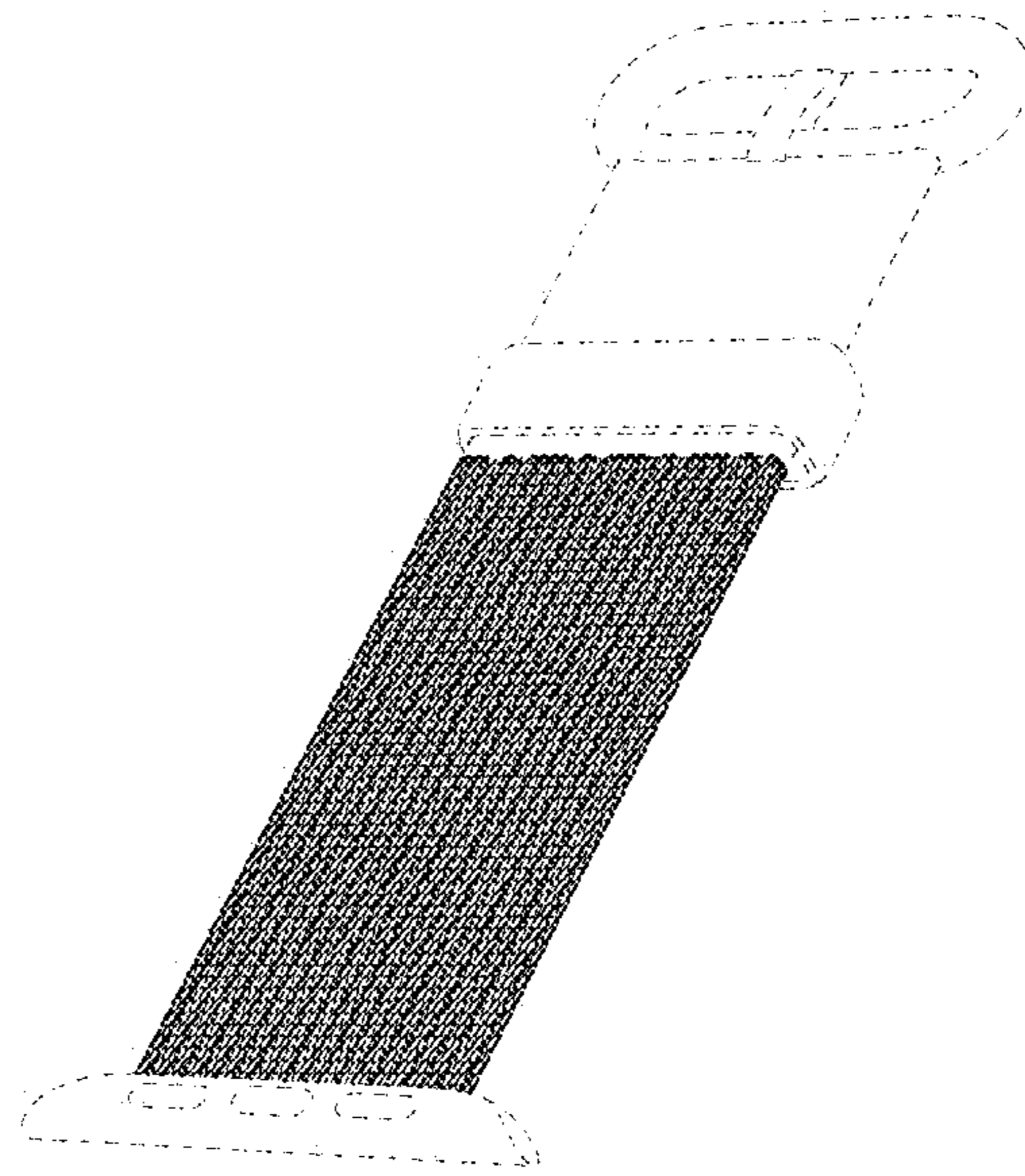


FIG. 2

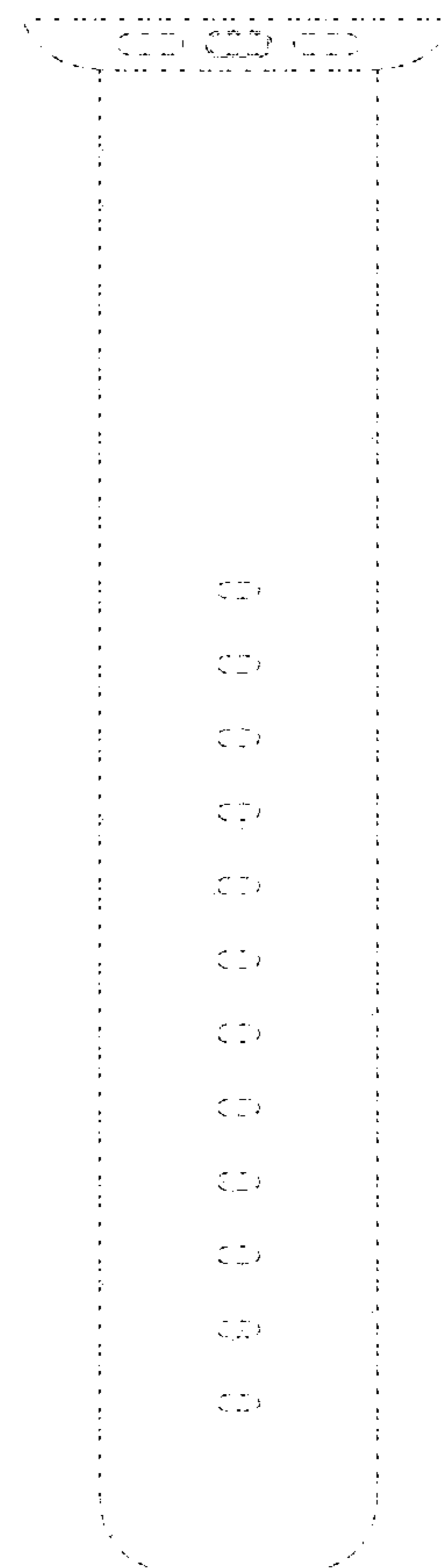
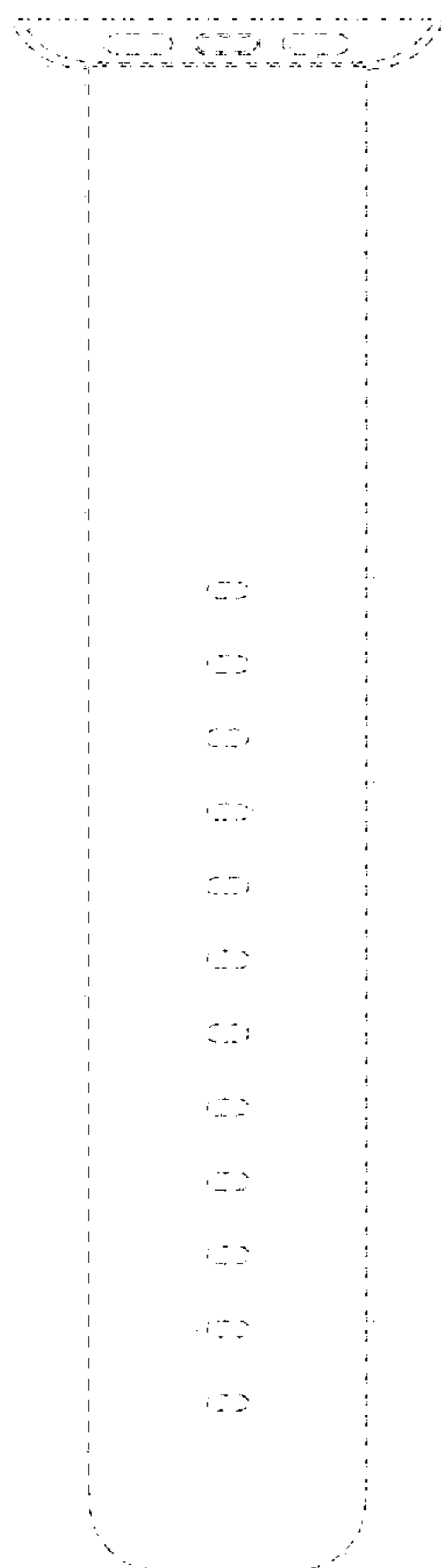
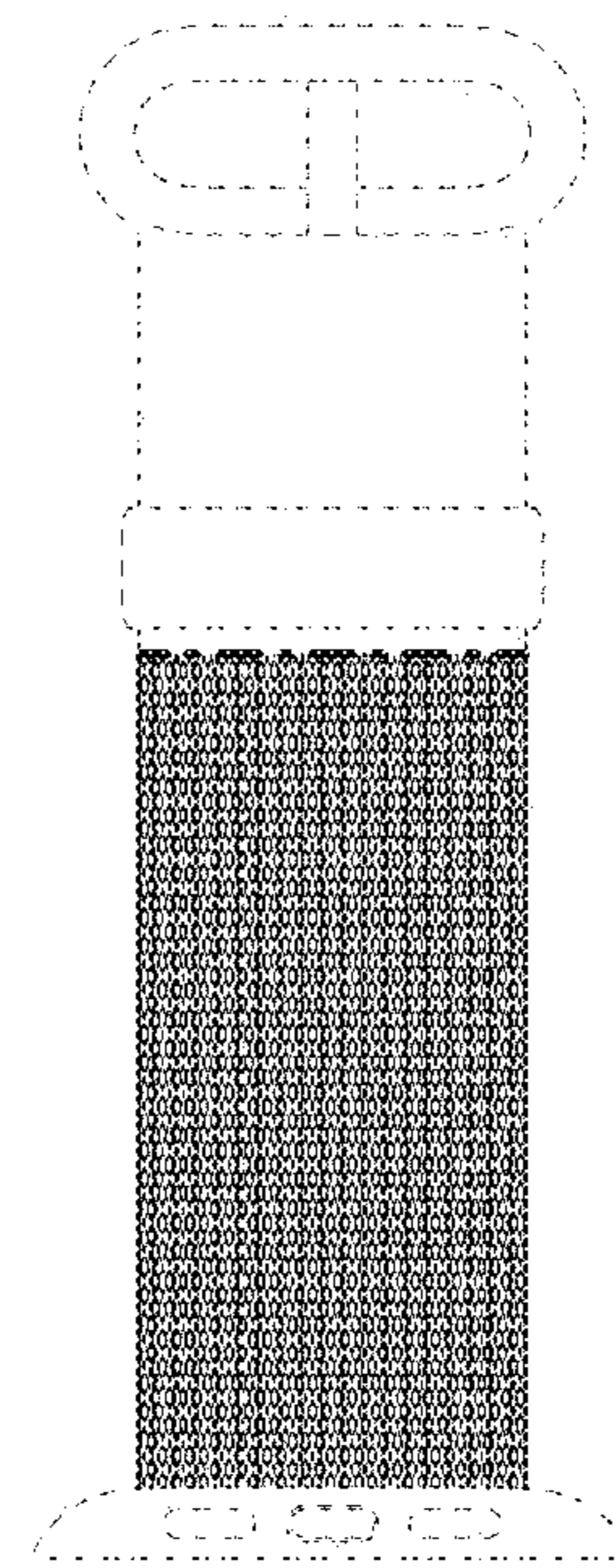
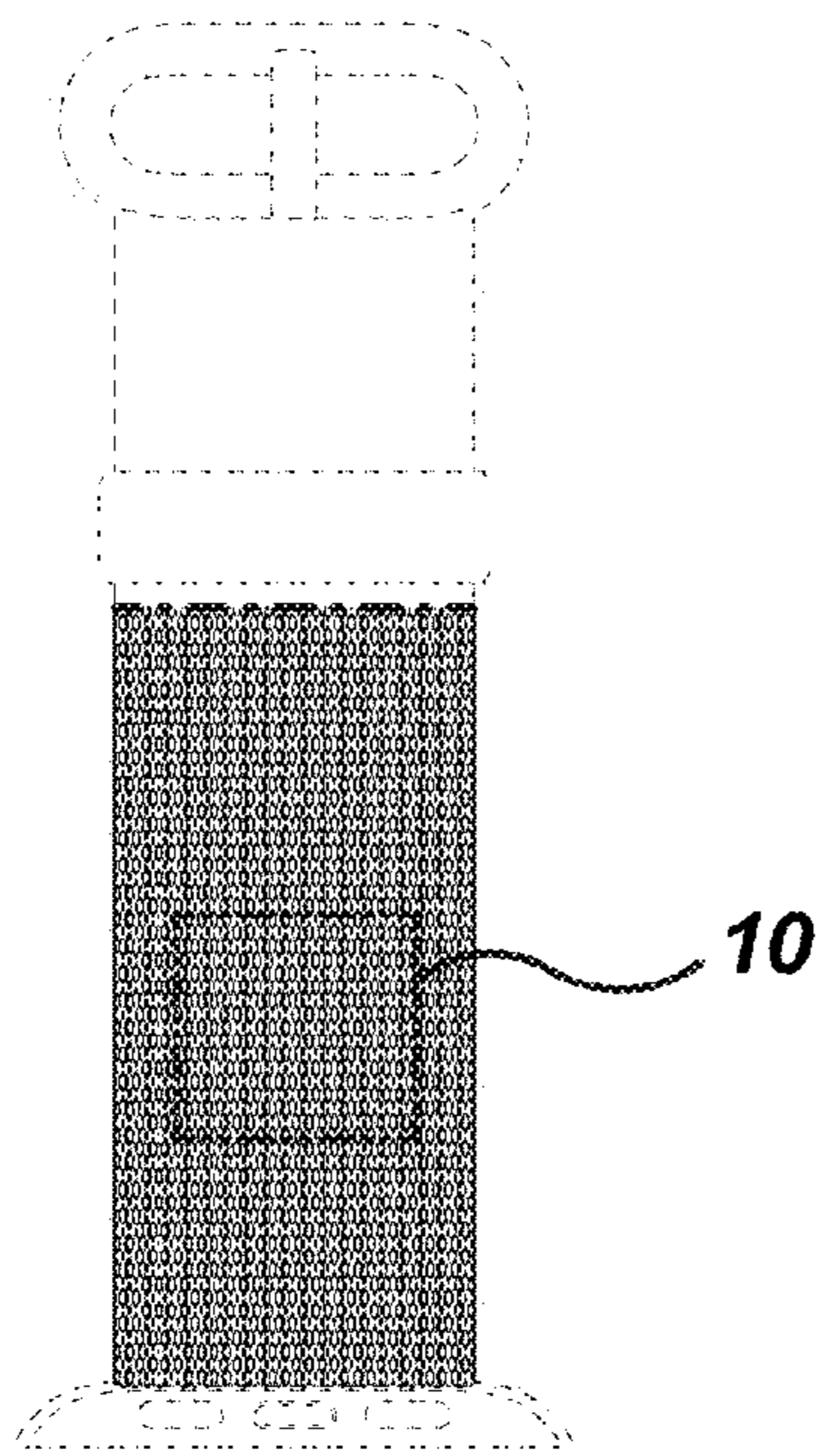


FIG. 3

FIG. 4

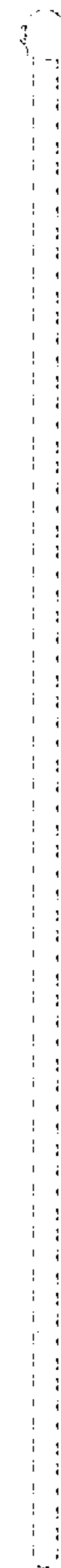
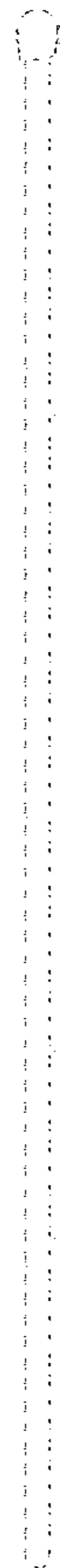
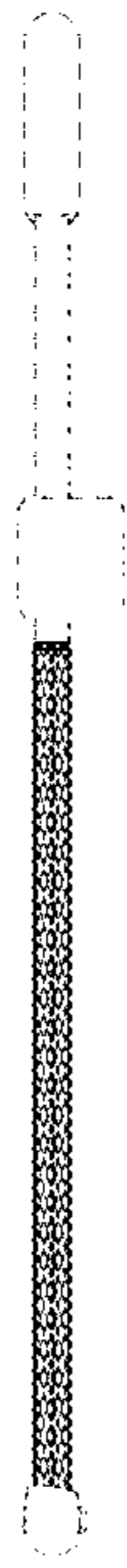


FIG. 5

FIG. 6

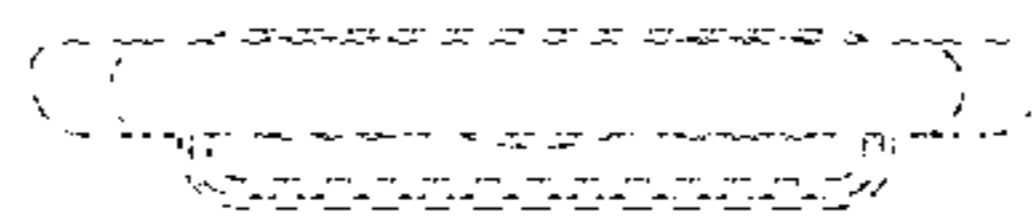


FIG. 7

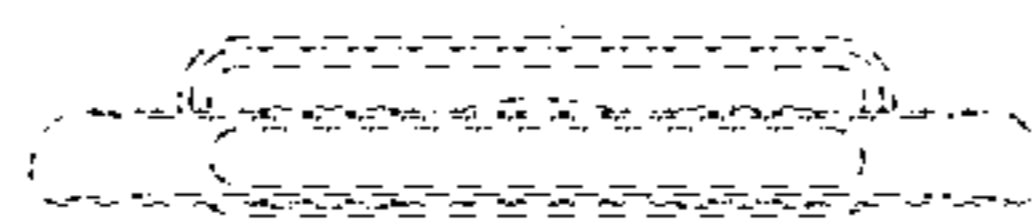


FIG. 8

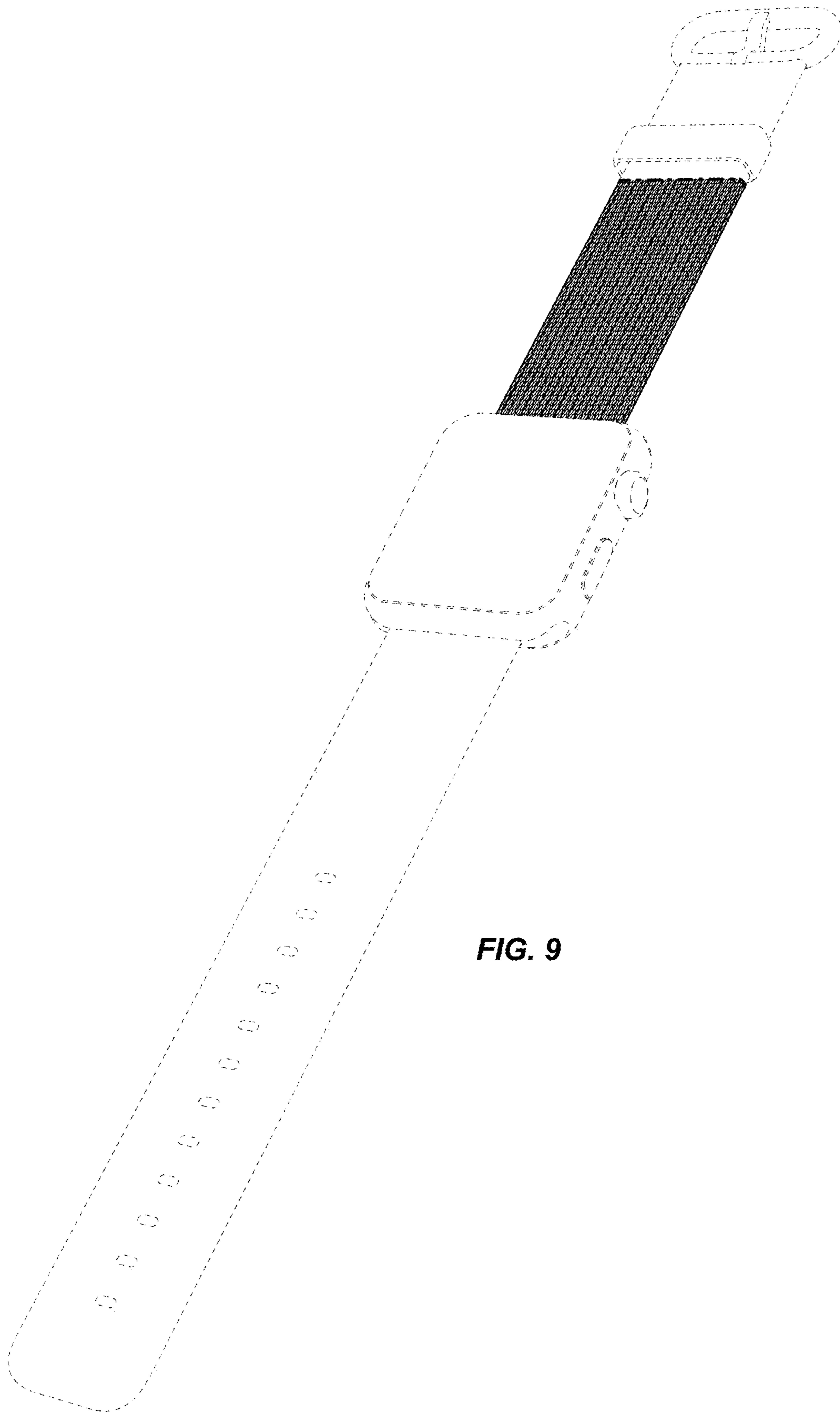


FIG. 9

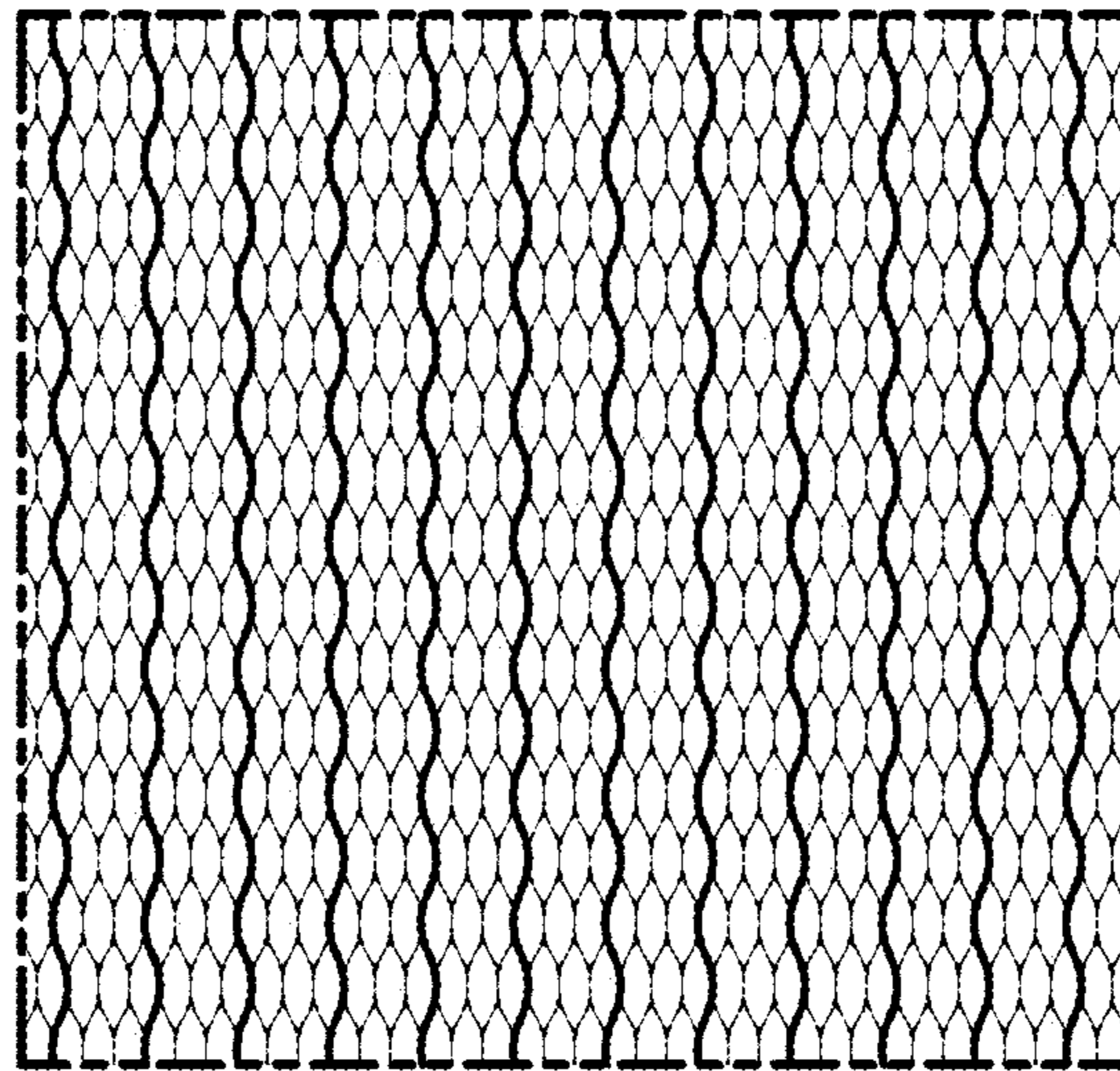


FIG. 10