



US00D934714S

(12) **United States Design Patent**  
**Garsaud**

(10) **Patent No.:** **US D934,714 S**

(45) **Date of Patent:** **\*\* Nov. 2, 2021**

- (54) **DIAL**
- (71) Applicant: **Harry Winston SA**, Plan-les-Ouates (CH)
- (72) Inventor: **Sandra Garsaud**, Plan-les-Ouates (CH)
- (73) Assignee: **Harry Winston SA**, Plan-les-Ouates (CH)
- (\*\*) Term: **15 Years**

- D760,605 S \* 7/2016 Koutsolioutsos ..... D10/38
- D775,992 S \* 1/2017 Graff ..... D10/126
- D777,047 S \* 1/2017 Blootacker ..... D10/30
- D778,736 S \* 2/2017 Abdourahim ..... D10/30
- D801,844 S \* 11/2017 Allegre ..... D10/126
- D805,922 S \* 12/2017 Dominguez ..... D10/30
- D808,825 S \* 1/2018 Roden ..... D10/30
- D833,320 S \* 11/2018 Valzan ..... D10/126
- D833,901 S \* 11/2018 Rabassa ..... D10/126
- D912,536 S \* 3/2021 Gaidon ..... D10/32
- D913,832 S \* 3/2021 Dominguez ..... D10/126
- D915,922 S \* 4/2021 Garsaud ..... D10/126

- (21) Appl. No.: **29/744,090**
- (22) Filed: **Jul. 27, 2020**
- (30) **Foreign Application Priority Data**  
Feb. 7, 2020 (WO) ..... WIPO91934
- (51) **LOC (13) Cl.** ..... **10-07**
- (52) **U.S. Cl.**  
USPC ..... **D10/126**
- (58) **Field of Classification Search**  
USPC ..... D10/30-39, 121-128  
CPC ..... G04G 19/06; G04G 19/065; G04B 19/08;  
G04B 19/082; G04B 19/085; G04B  
19/087; G04B 19/10; G04B 19/12; G04B  
45/00; G04B 45/0015  
See application file for complete search history.

- (56) **References Cited**  
U.S. PATENT DOCUMENTS  
1,045,106 A \* 11/1912 Mayer ..... A44C 17/0216  
63/40  
D339,532 S \* 9/1993 Frappe ..... D10/126  
D540,197 S \* 4/2007 Pasternak ..... D10/32  
D580,794 S \* 11/2008 Takahashi ..... D10/32  
D677,586 S \* 3/2013 Graff ..... D10/39

**OTHER PUBLICATIONS**

Harry Winston Premier Kaleidoscope Automatic | watchilove.com; posted Dec. 31, 2020 by Dan-Andrei [online]. © 2021 Watch I Love Magazine [retrieved Jul. 2, 2021] from Internet: <https://watchilove.com/harry-winston-premier-kaleidoscope-automatic-36mm-premier-precious-kaleidoscope-automatic-36mm> (Year: 2020).\*

\* cited by examiner

*Primary Examiner* — Katherine Glennon  
(74) *Attorney, Agent, or Firm* — Blank Rome LLP

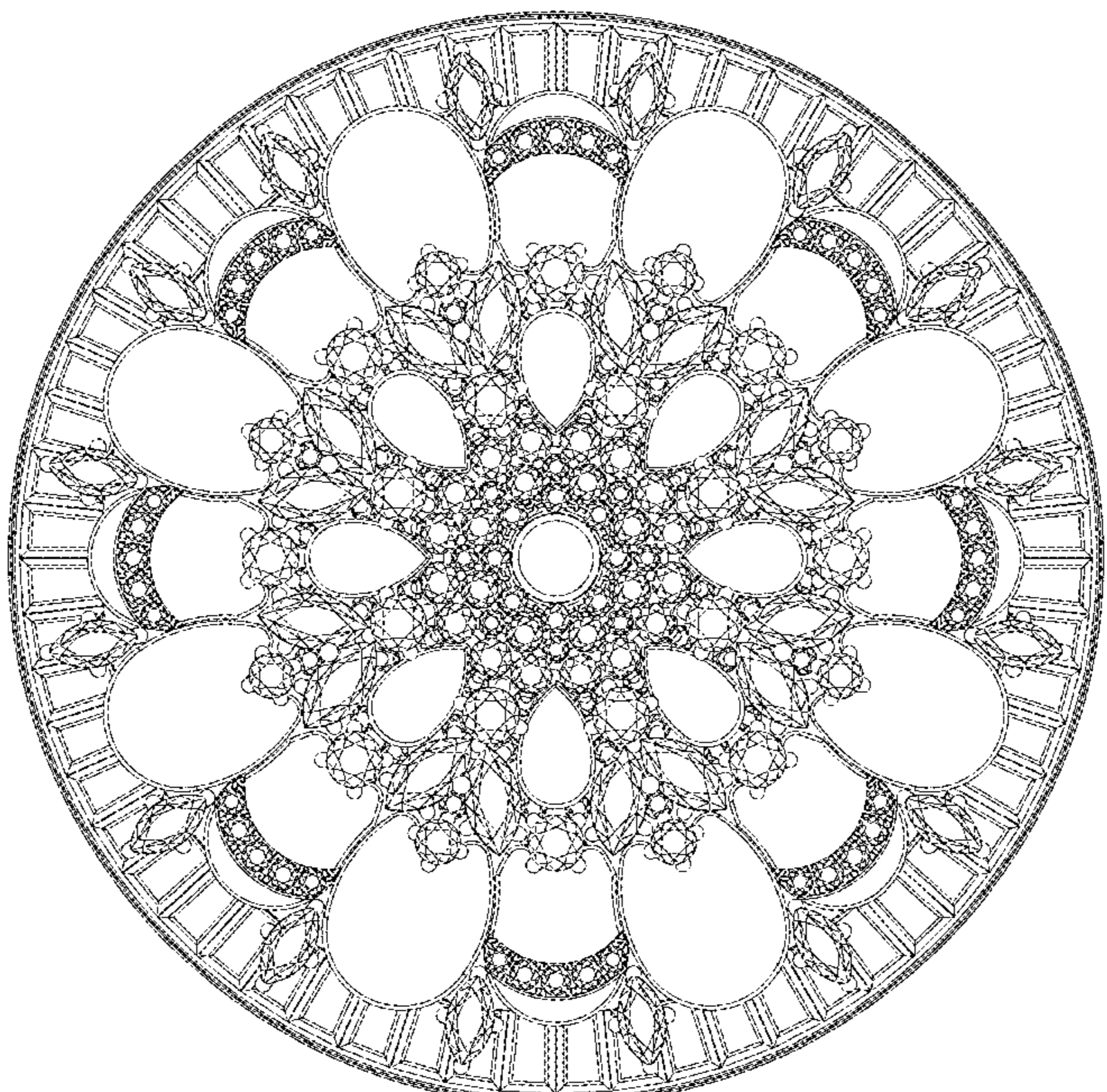
(57) **CLAIM**

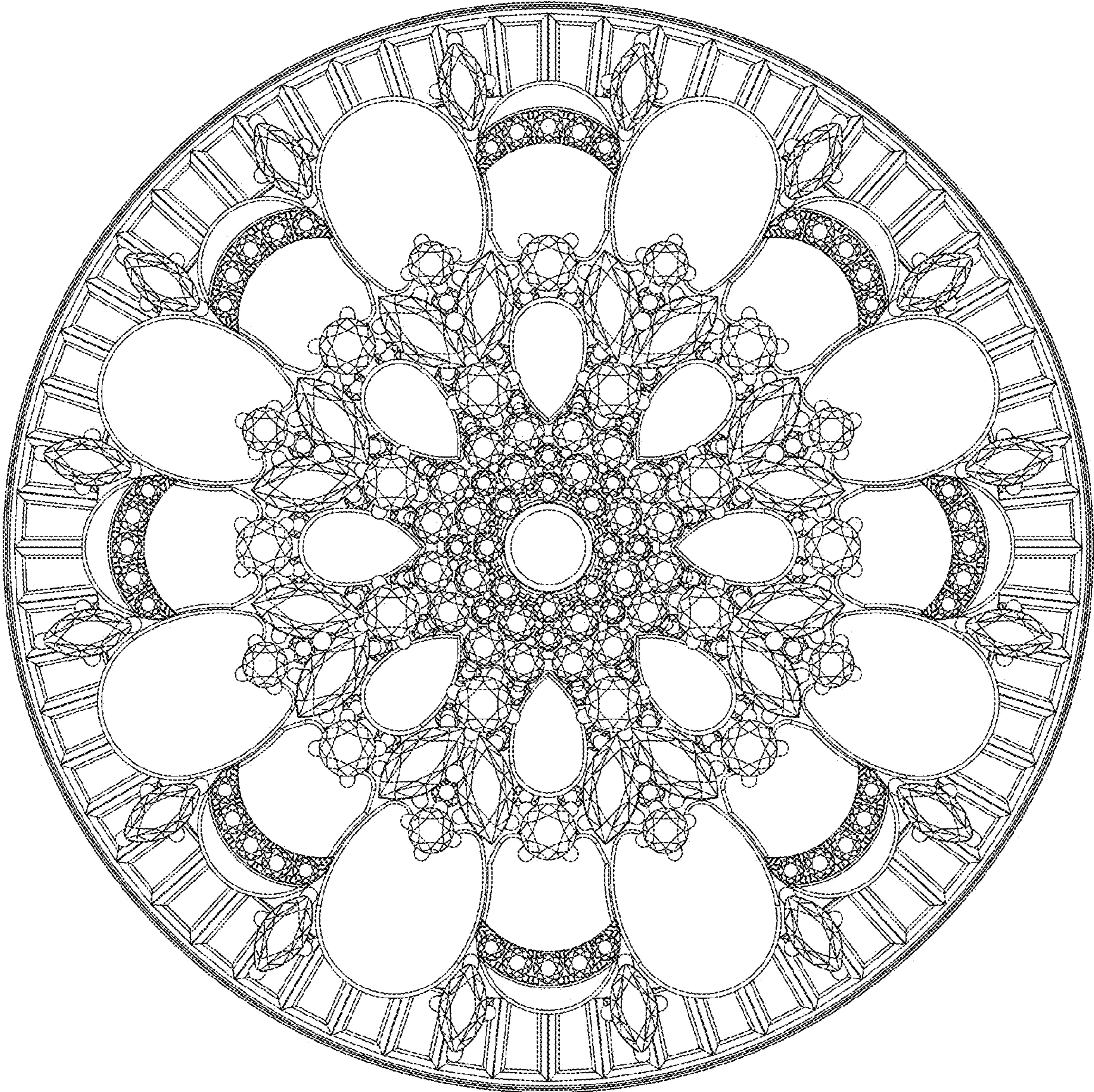
The ornamental design for a dial, as shown and described.

**DESCRIPTION**

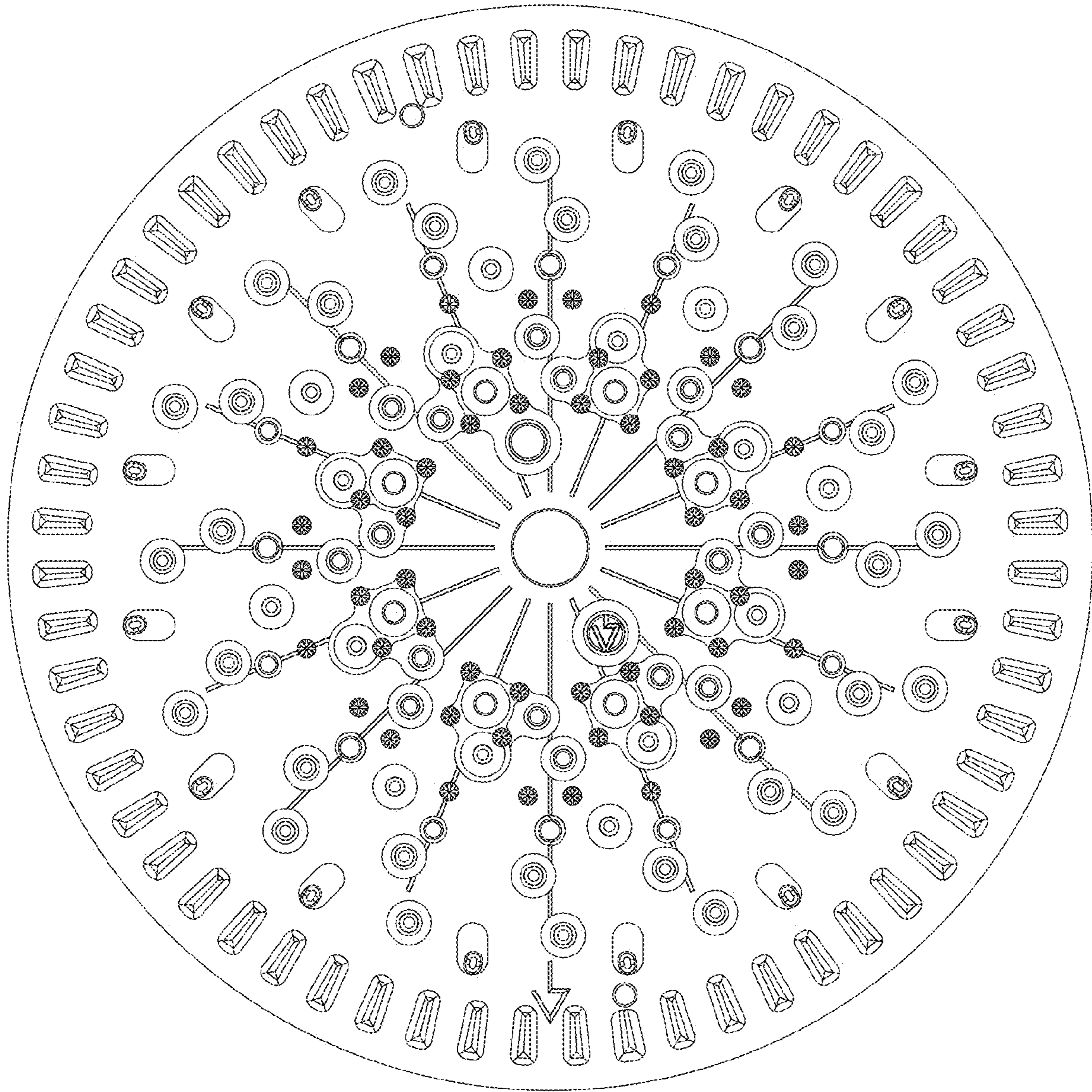
FIG. 1 is a front view of a dial of the present design; FIG. 2 is a rear view thereof; FIG. 3 is a right side view thereof; FIG. 4 is a left side view thereof; FIG. 5 is a bottom view thereof; FIG. 6 is a top view thereof; and FIG. 7 is a front left perspective view thereof; and, FIG. 8 is a rear right perspective view thereof.

**1 Claim, 8 Drawing Sheets**

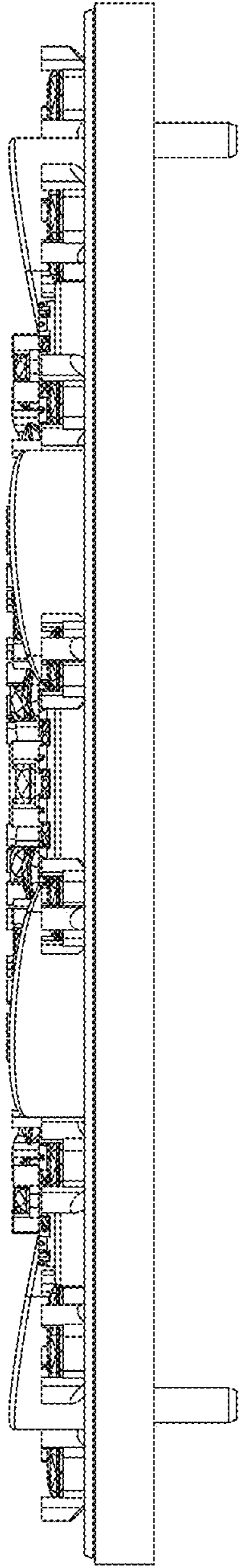




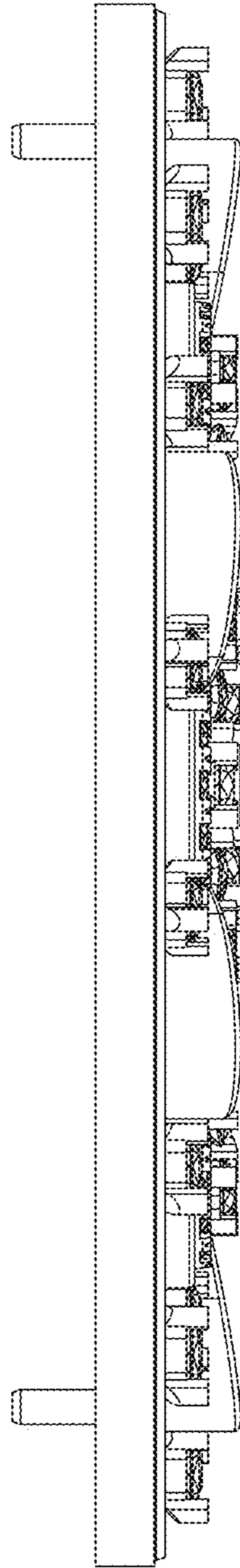
**FIG. 1**



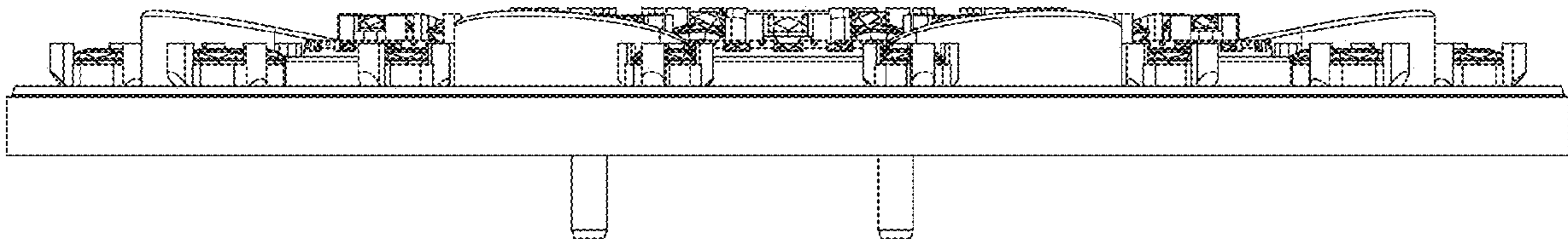
**FIG. 2**



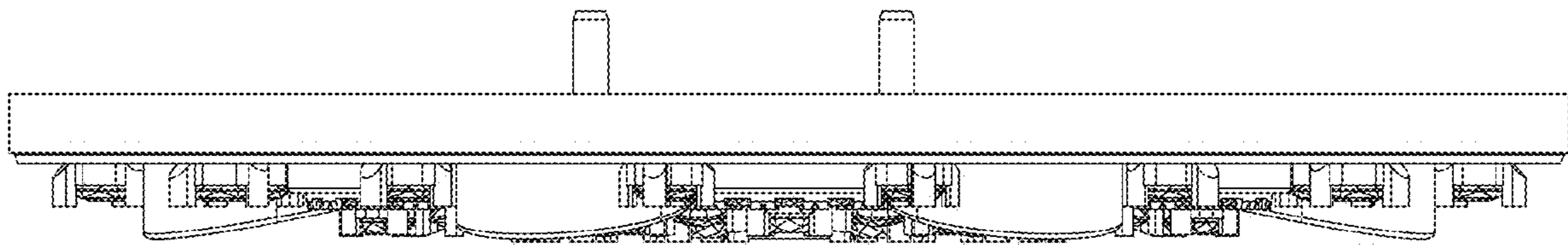
**FIG. 3**



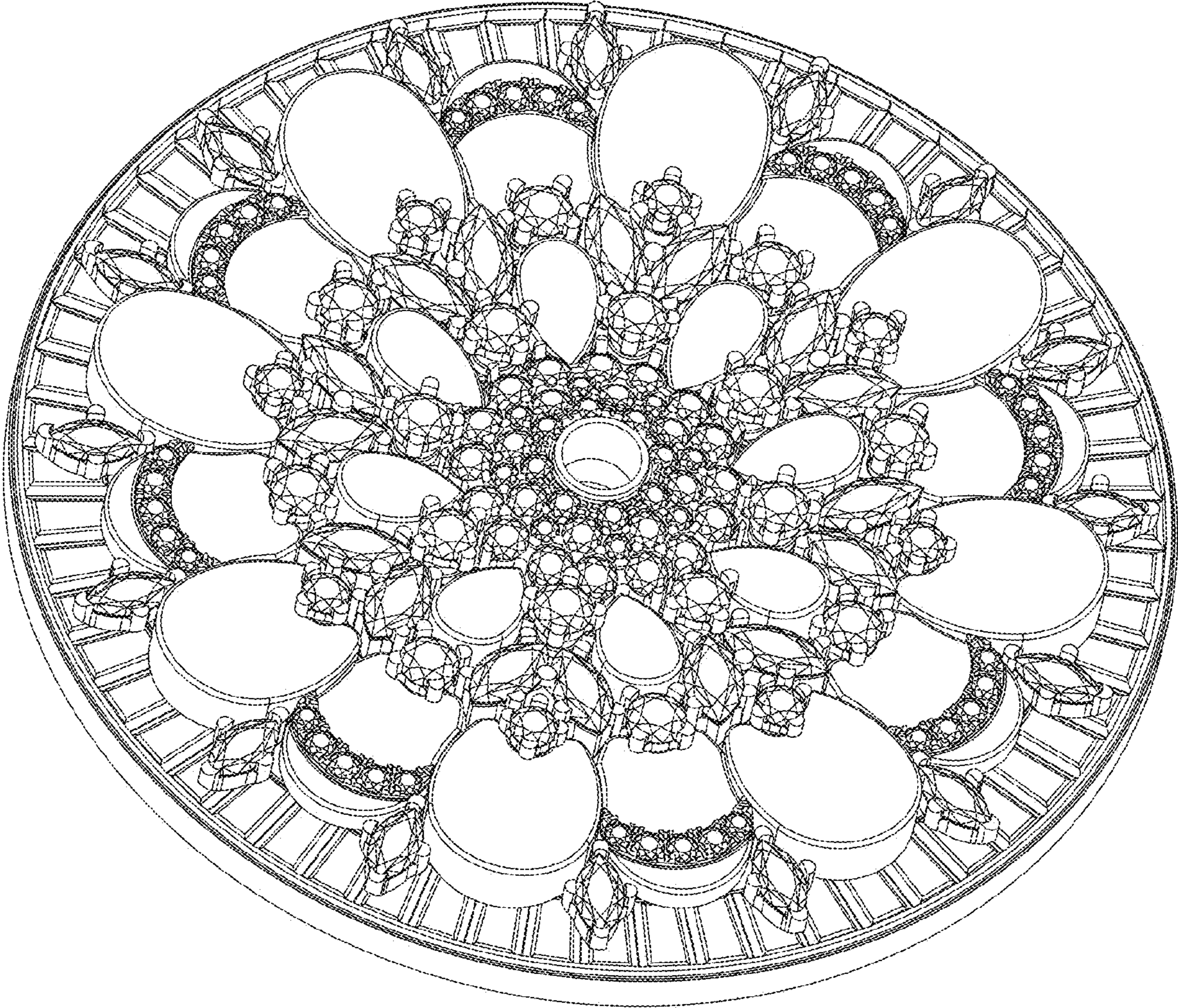
**FIG. 4**



**FIG. 5**

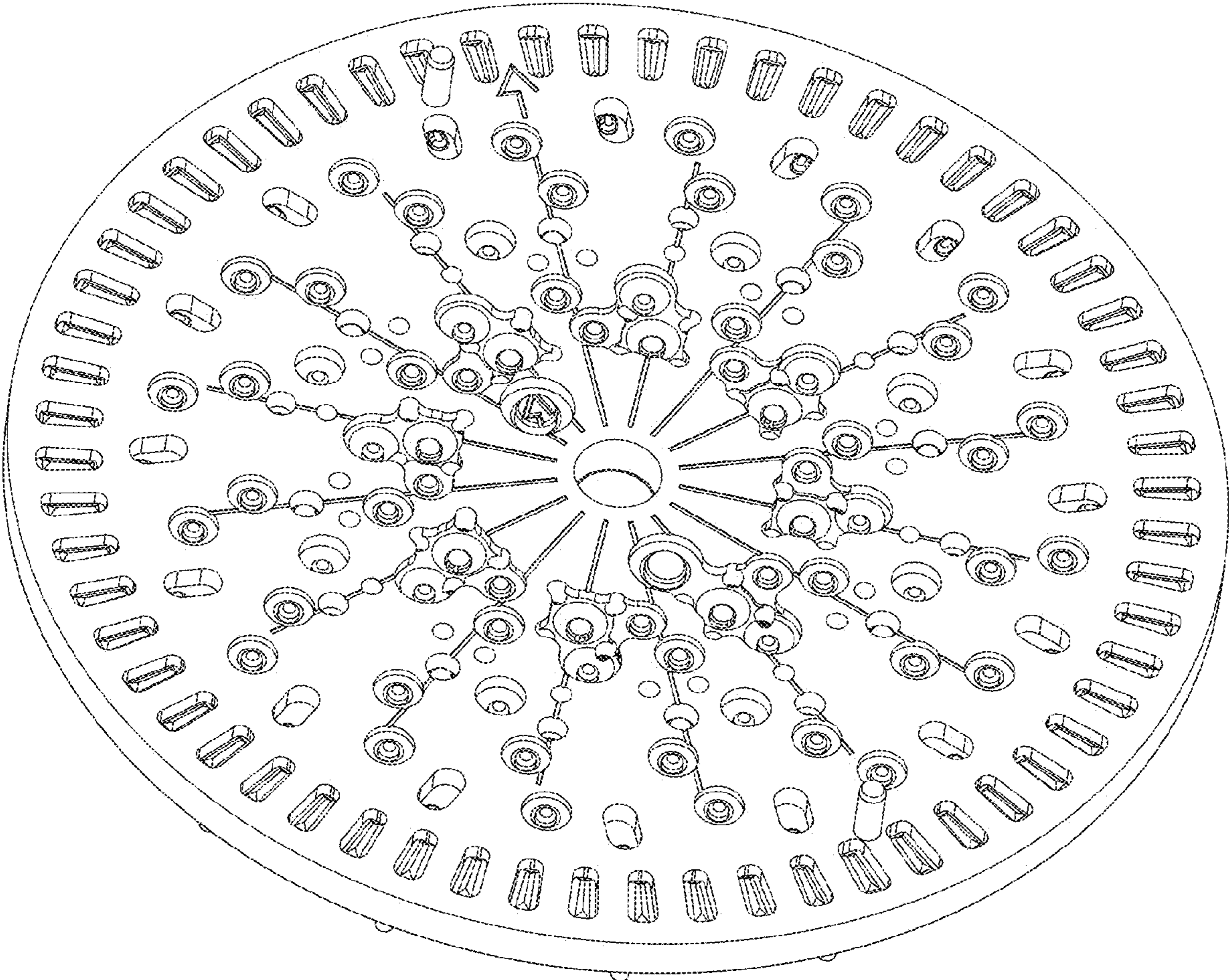


**FIG. 6**



**FIG. 7**





**FIG. 8**