



US00D934710S

(12) **United States Design Patent**
Mirth

(10) **Patent No.:** **US D934,710 S**

(45) **Date of Patent:** **** Nov. 2, 2021**

(54) **BABY SCALE**

(71) Applicant: **Greater Goods, LLC**, St. Louis, MO
(US)

(72) Inventor: **Daniel Joseph Mirth**, St. Louis, MO
(US)

(73) Assignee: **Greater Goods, LLC**, St. Louis, MO
(US)

(**) Term: **15 Years**

(21) Appl. No.: **29/733,778**

(22) Filed: **May 6, 2020**

(51) **LOC (13) Cl.** **10-04**

(52) **U.S. Cl.**
USPC **D10/91**

(58) **Field of Classification Search**
USPC D10/83-96

CPC G01G 21/28; G01G 21/00; G01G 21/286;
G01G 21/30; G01G 23/3728; G01G
23/3735; G01G 19/44; G01G 3/14; G01G
23/166; G01G 19/46; G01G 19/48; G01G
19/50; G01G 21/44; G01G 19/414; G01G
19/4144; G01G 19/42; F16F 1/123; A61B
5/053; A61B 5/4872; A61B 5/0537; A61B
5/4869; A61B 5/6825; A61B 5/6829;
A61B 5/7445; A61B 5/1072; G06Q
20/208; G06Q 20/3678; G06Q 20/387;
G06Q 20/065; G06Q 20/36; G06Q 20/06;
G16H 20/00; G16H 40/63; G09B 19/00

See application file for complete search history.

(56) **References Cited**

U.S. PATENT DOCUMENTS

D139,931 S * 1/1945 Dreyfuss D10/90
4,339,012 A * 7/1982 Vogel G01G 21/28
177/262
D270,903 S 10/1983 Vogel et al.
D314,716 S 2/1991 Busse

D376,327 S * 12/1996 Andrieu D10/91
D445,048 S * 7/2001 Rodgers D10/94
D463,302 S * 9/2002 Ariyama D10/91

(Continued)

FOREIGN PATENT DOCUMENTS

CN 3628293 * 6/2006
CN 301117045 * 4/2009

(Continued)

OTHER PUBLICATIONS

Kubei, Baby Scale, Date first available Sep. 16, 2019, [online] retrieved Jul. 21, 2021, available from https://www.amazon.com/KUBEI-Digital-Multi-Function-Precision-Function/dp/B07XXX2F55/ref=sr_1_7?dchild=1&keywords=infant+scale&qid=1626889522&s=industrial&sr=1-7 (Year: 2019).*

(Continued)

Primary Examiner — Keli L Hill

Assistant Examiner — Sara S Sahneh

(74) *Attorney, Agent, or Firm* — Creativenture Law, LLC;
Dennis J M Donahue, III; Kevin Staed

(57) **CLAIM**

The ornamental design for a baby scale, as shown and described.

DESCRIPTION

FIG. 1 is a top perspective view of a baby scale showing my new design;

FIG. 2 is a front view thereof;

FIG. 3 is a top view thereof;

FIG. 4 is a left side view thereof;

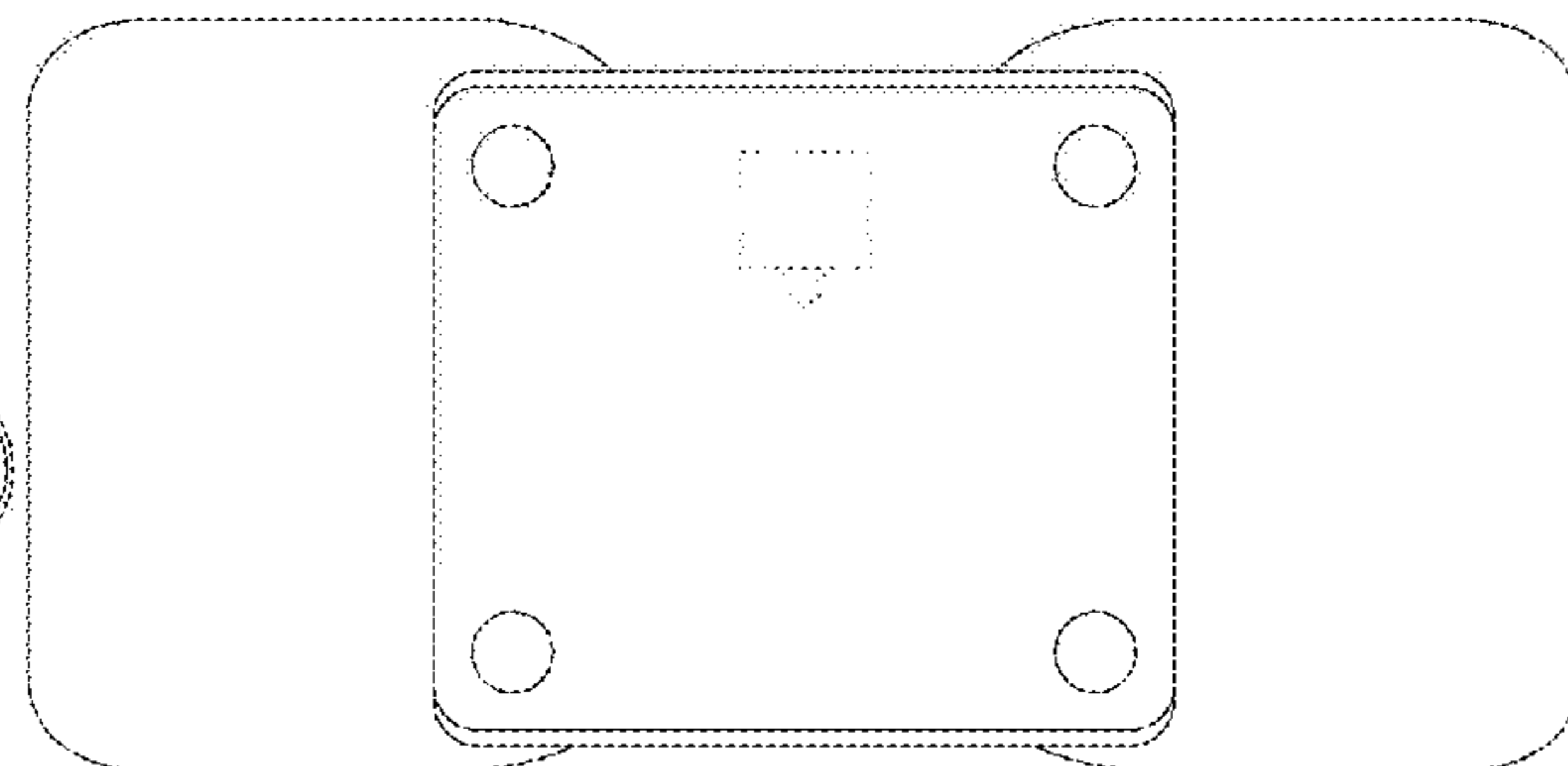
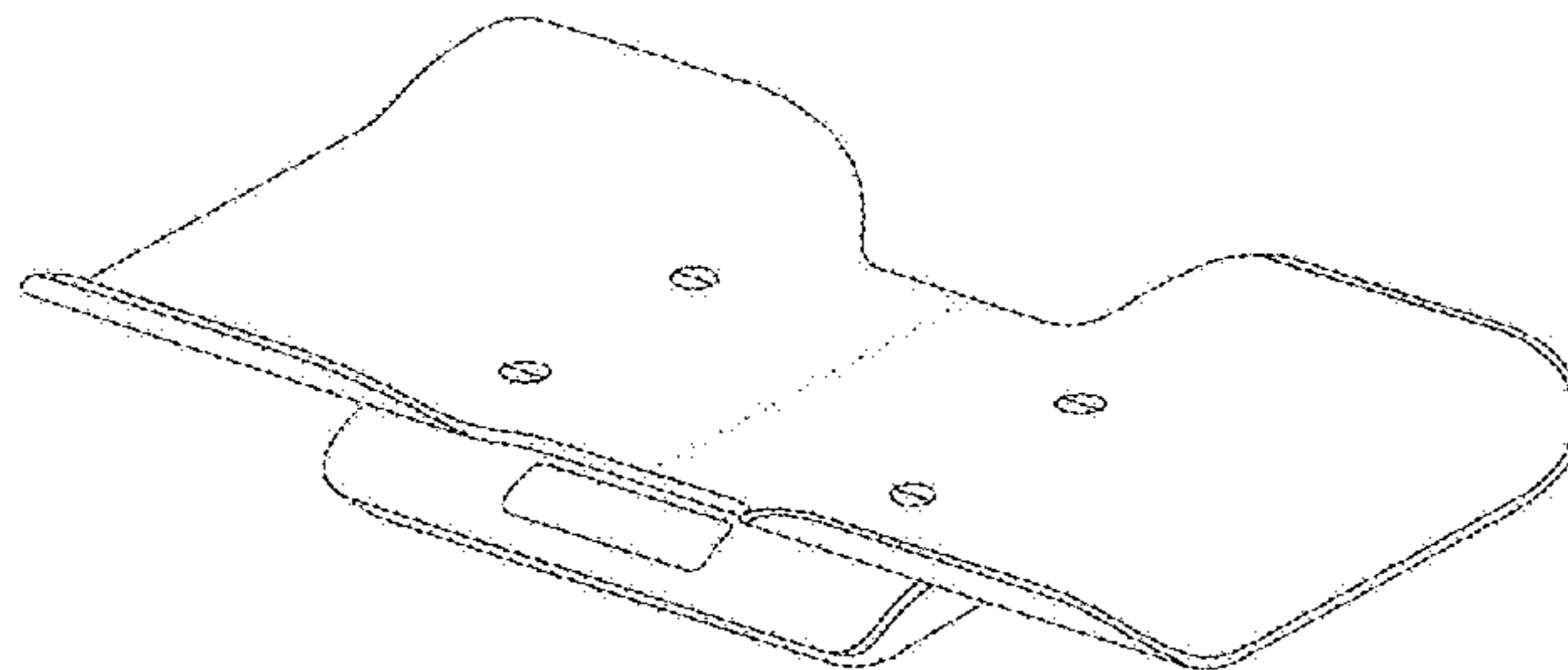
FIG. 5 is a right side view thereof;

FIG. 6 is a bottom view thereof; and,

FIG. 7 is a back view thereof.

The broken lines shown are included for the purpose of illustrating portions of the baby scale that form no part of the claim.

1 Claim, 2 Drawing Sheets



(56)

References Cited

OTHER PUBLICATIONS

U.S. PATENT DOCUMENTS

D464,896 S * 10/2002 Ho D10/91
 D486,088 S * 2/2004 Kesselman D10/91
 D487,706 S 3/2004 Lau
 D489,635 S 5/2004 Thadoni
 D522,393 S 6/2006 Schumann
 D524,670 S * 7/2006 Carls D10/91
 D525,159 S * 7/2006 Chen D10/91
 D543,880 S * 6/2007 Matsumoto D10/91
 D650,299 S * 12/2011 Domel D10/91
 D674,297 S * 1/2013 Hillel D10/94
 D791,628 S 7/2017 Ganrude et al.
 D869,316 S 12/2019 Rhein et al.
 2010/0005675 A1* 1/2010 Gerster G01G 19/50
 33/512

FOREIGN PATENT DOCUMENTS

CN 304413430 * 7/2017
 CN 305355342 * 11/2018
 CN 305723305 * 11/2019
 CN 306468267 * 10/2020
 GB 6040694 * 8/2018

EatSmart, Digital Baby and Pet Weight Scale Date first available Nov. 8, 2017, [online]retrieved Jul. 21, 2021,available from [Greater Goods Store,Smart Baby Scale,Date first available Feb. 25, 2020, \[online\]retrieved Jul. 21, 2021,available from \[* cited by examiner\]\(https://www.amazon.com/GreaterGoods-Toddler-Infant-Function-Included/dp/B07WRSJC77/ref=asc_df_B07WRSJC77/?tag=&linkCode=df0&hvadid=416770128608&hvpos=&hvnetw=g&hvrnd=1399377 \(Year: 2020\).*</p>
</div>
<div data-bbox=\)](https://www.amazon.com/EatSmart-Precision-Digital-Weight-Capacity/dp/B0777QMMQV/ref=pd_sbs_5/141-7747482-1120229?pd_rd_w=ZzgwN&pf_rd_p=0f56f70f-21e6-4d11-bb4a-bcdb928a3c5a&pf_rd_ (Year: 2017).*

 Petyoung Multi-Function Digital Pet Scale,Date first available Feb. 1, 2020, [online]retrieved Jul. 27, 2021,available from <a href=)

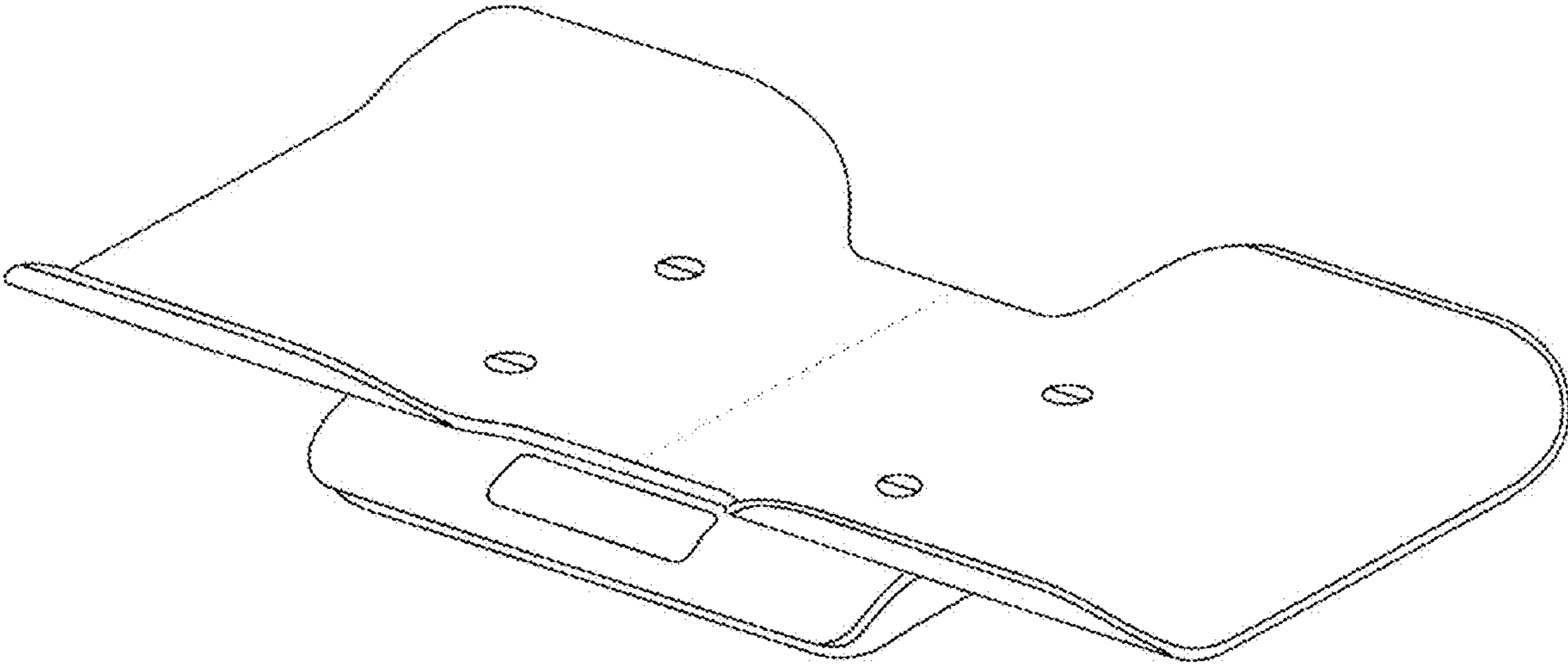


FIG. 1

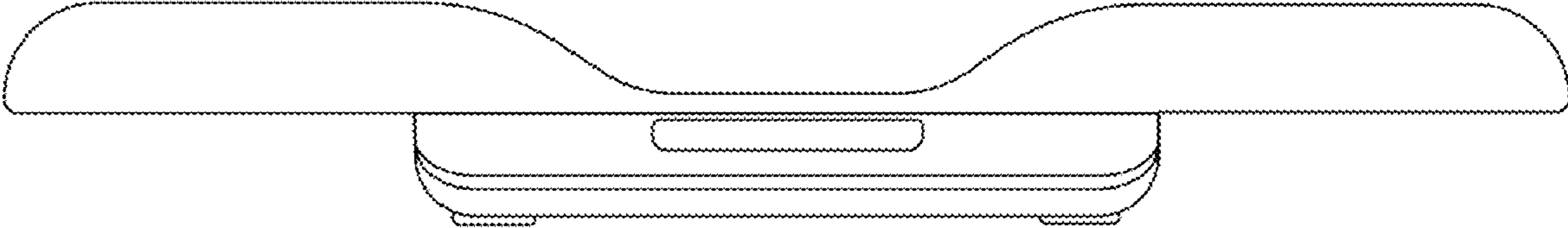


FIG. 2

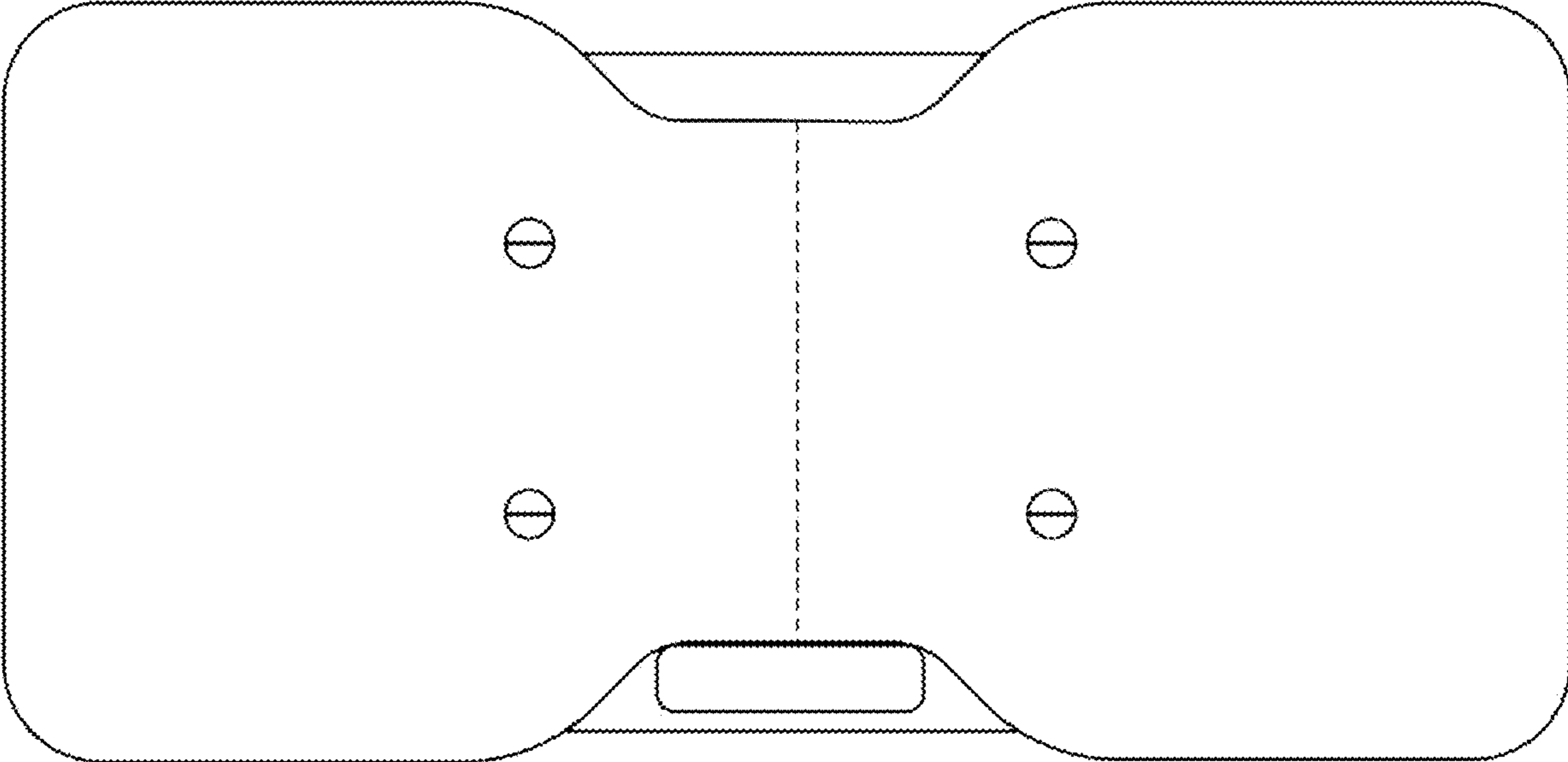


FIG. 3

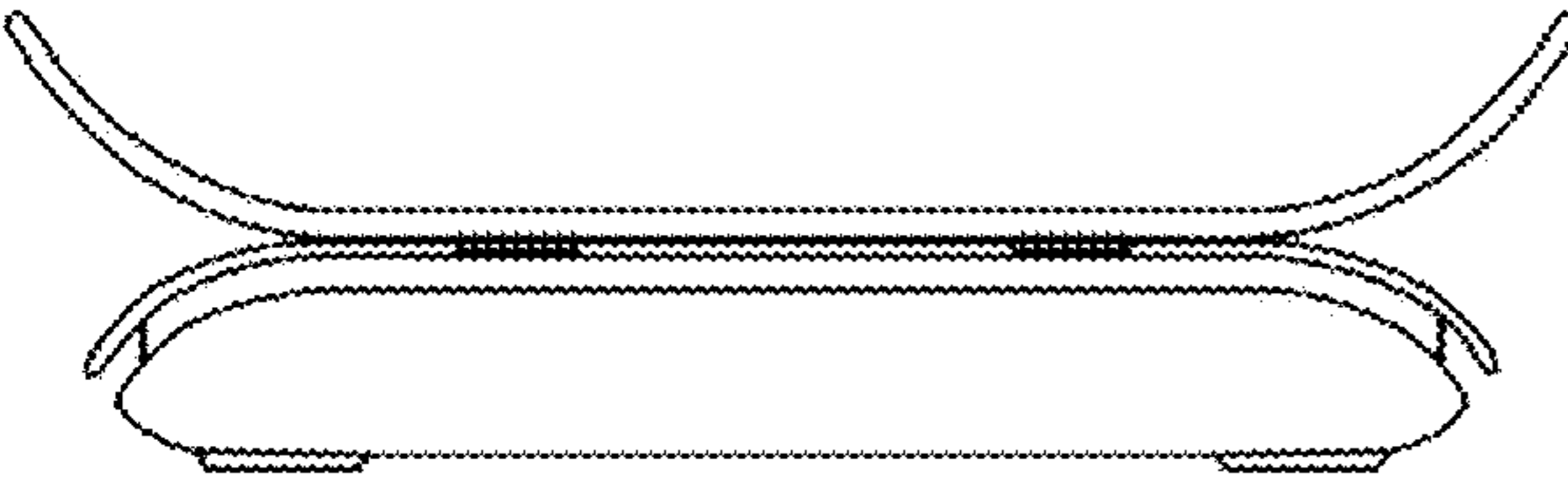


FIG. 4

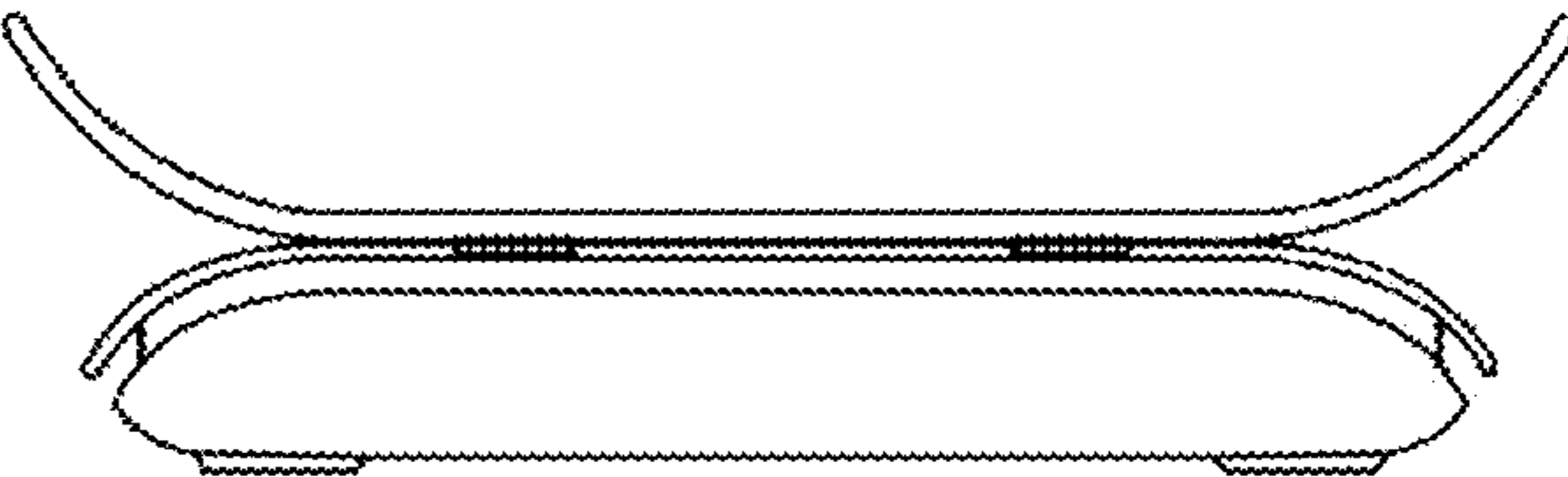


FIG. 5

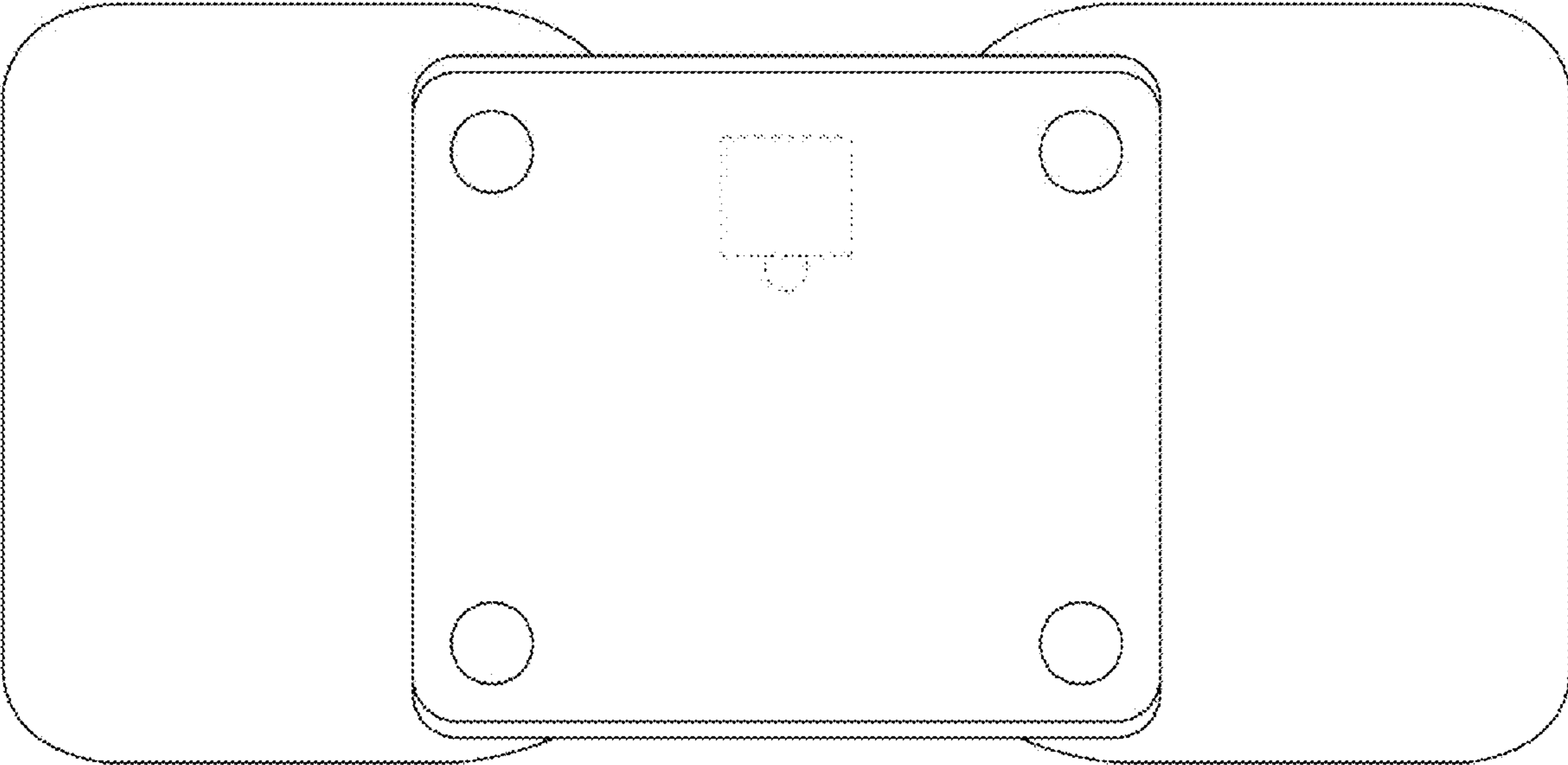


FIG. 6

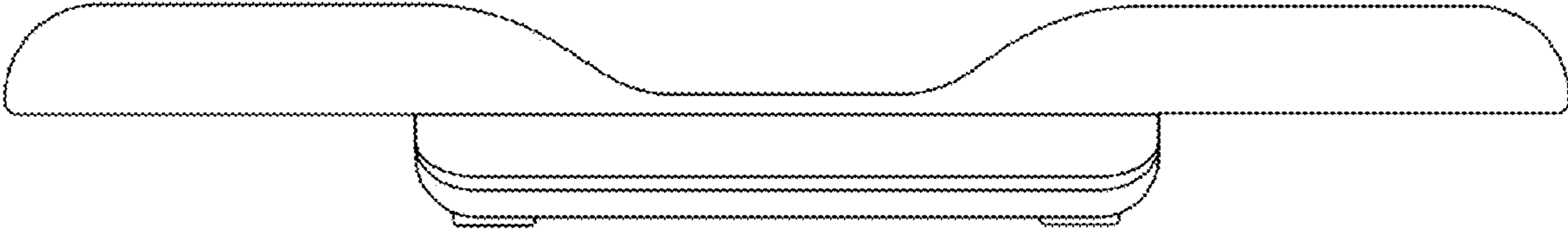


FIG. 7