



US00D934709S

(12) **United States Design Patent** (10) **Patent No.:** **US D934,709 S**
Alderete (45) **Date of Patent:** **** Nov. 2, 2021**

(54) **LEVEL**
(71) Applicant: **Ruben Alderete**, Visalia, CA (US)
(72) Inventor: **Ruben Alderete**, Visalia, CA (US)
(**) Term: **15 Years**
(21) Appl. No.: **29/737,596**
(22) Filed: **Jun. 10, 2020**
(51) **LOC (13) Cl.** **10-04**
(52) **U.S. Cl.**
USPC **D10/71**
(58) **Field of Classification Search**
USPC D10/69, 74, 71, 65; D19/133, 156
CPC ... G01C 9/28; G01C 9/30; G01C 9/34; G01C
9/36; G01C 9/26; G01C 9/24; G01C
5/00; G01C 15/02; G06N 20/00; G01B
3/566; B43L 7/0275; B43L 7/02; B43L
7/027193
See application file for complete search history.

6,282,805 B1 * 9/2001 Cosentino G01C 9/28
33/374
D460,700 S * 7/2002 Marletta D10/69
6,625,895 B2 9/2003 Tacklind
D500,691 S * 1/2005 Fesmire D10/69
6,966,119 B1 11/2005 Dlugoleski
D544,382 S * 6/2007 Bowers D10/69
7,562,463 B2 * 7/2009 Vaes B25H 7/00
33/374
D657,274 S * 4/2012 Neethling D10/69
2002/0121025 A1 * 9/2002 Leite G01C 9/28
33/374
2004/0172840 A1 * 9/2004 Odachowski B43L 7/12
33/465
2006/0123715 A1 * 6/2006 Gorgone E04G 21/1808
52/105
2007/0266576 A1 * 11/2007 Vaes B43L 7/10
33/374

(Continued)

OTHER PUBLICATIONS

Starrett 134 Cross Test Level and Plumb, earliest confirmed review date Sep. 17, 2019, [online] URL: <https://www.google.com/shopping/product/11326621360909134430?q=L+shaped+levelo:1> (Year: 2019).*

Primary Examiner — L. A. Grabenstetter
Assistant Examiner — Antoinette Martine Suiter

(56) **References Cited**
U.S. PATENT DOCUMENTS

283,564 A 8/1883 Bull
613,946 A * 11/1898 Starrett G01C 9/28
33/451
733,570 A 7/1908 Victor
1,143,256 A * 6/1915 Dewees G01C 9/28
33/451
1,963,805 A 6/1934 Radke
2,770,889 A * 11/1956 Allegretti G01C 9/26
33/385
4,317,289 A * 3/1982 Conn G01C 9/28
33/451
4,400,888 A 8/1983 Strom
5,119,565 A * 6/1992 Horvath G01C 9/28
33/405
5,459,935 A * 10/1995 Paulson G01B 3/566
33/451
5,813,125 A 9/1998 Bym

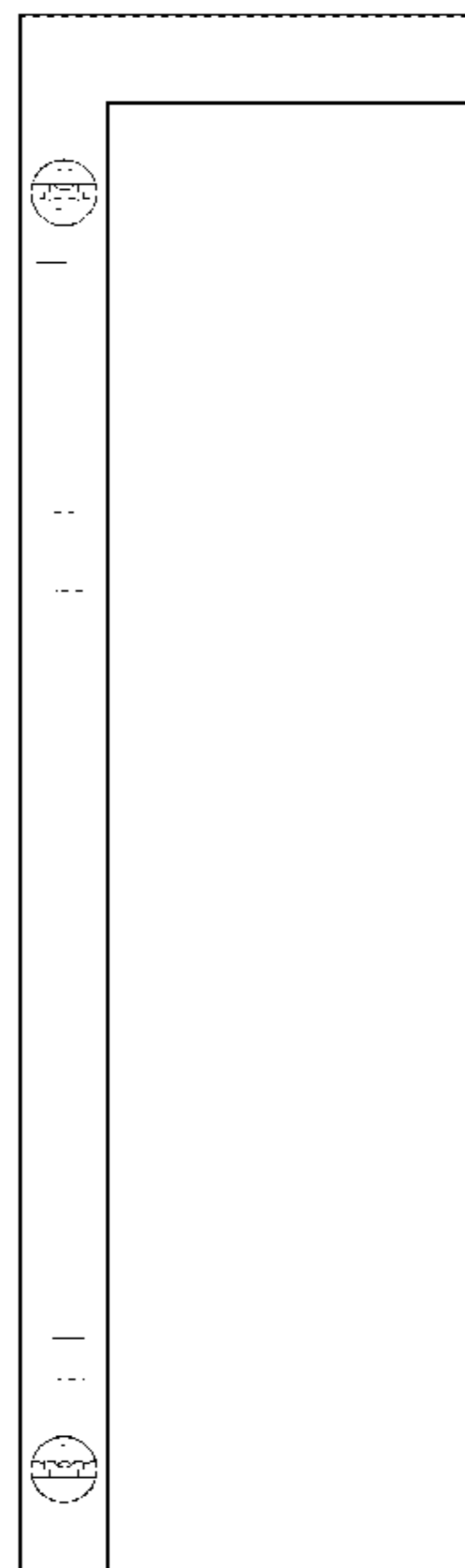
(57) **CLAIM**

The ornamental design for a level, as shown and described.

DESCRIPTION

FIG. 1 is a front view of a level showing my new design, a rear view being a mirror image thereof;
FIG. 2 is a left side view of the level;
FIG. 3 is a right side view of the level;
FIG. 4 is a top view of the level;
FIG. 5 is a bottom view of the level; and,
FIG. 6 is a top rear side perspective view of the level.

1 Claim, 4 Drawing Sheets



(56)

References Cited

U.S. PATENT DOCUMENTS

2010/0000107 A1* 1/2010 Cobb G01C 9/26
33/374

* cited by examiner

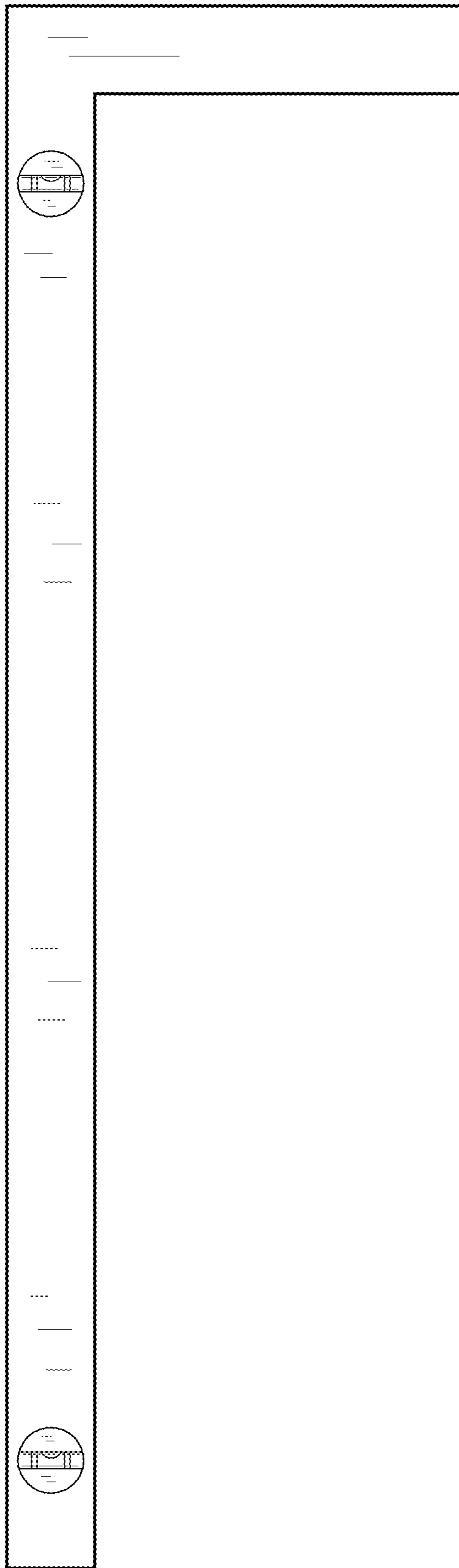


FIG. 1

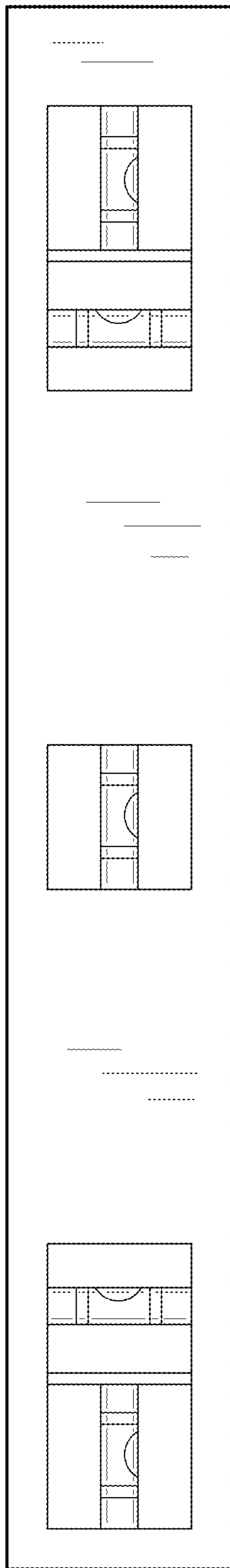


FIG. 2

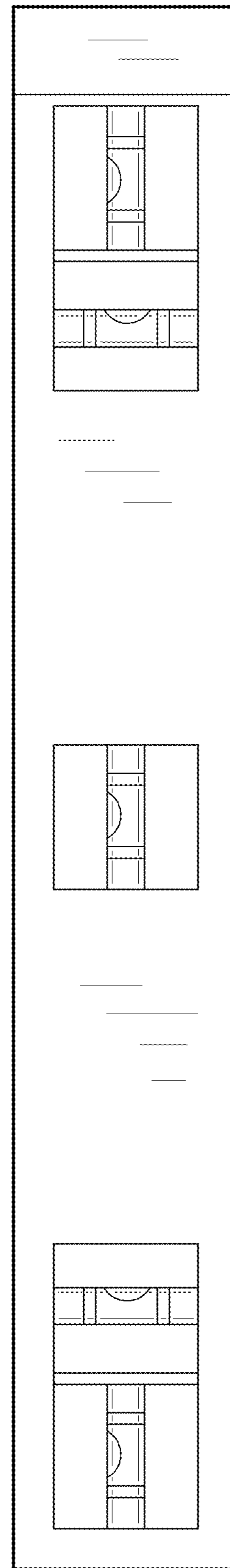


FIG. 3

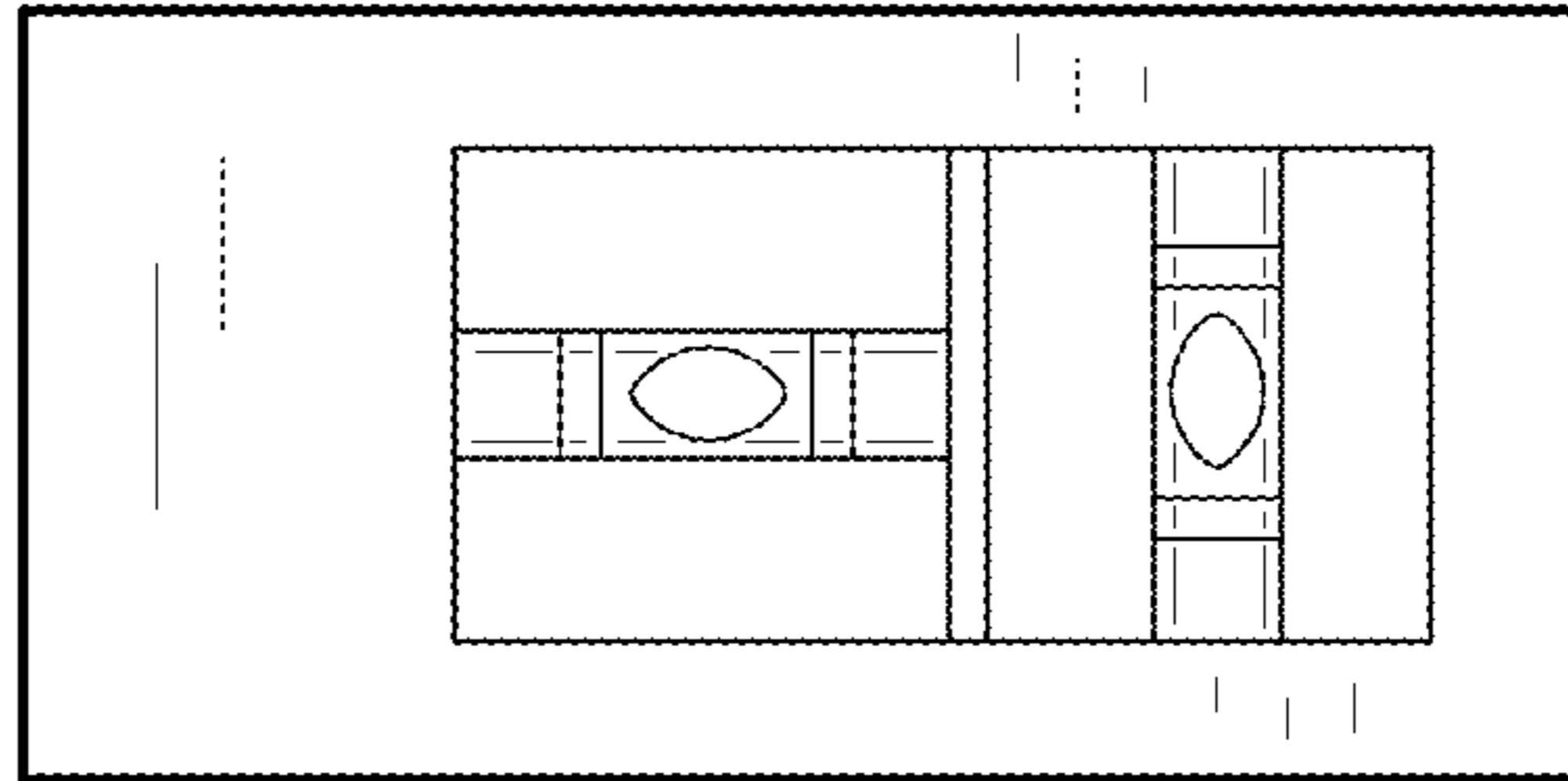


FIG. 4

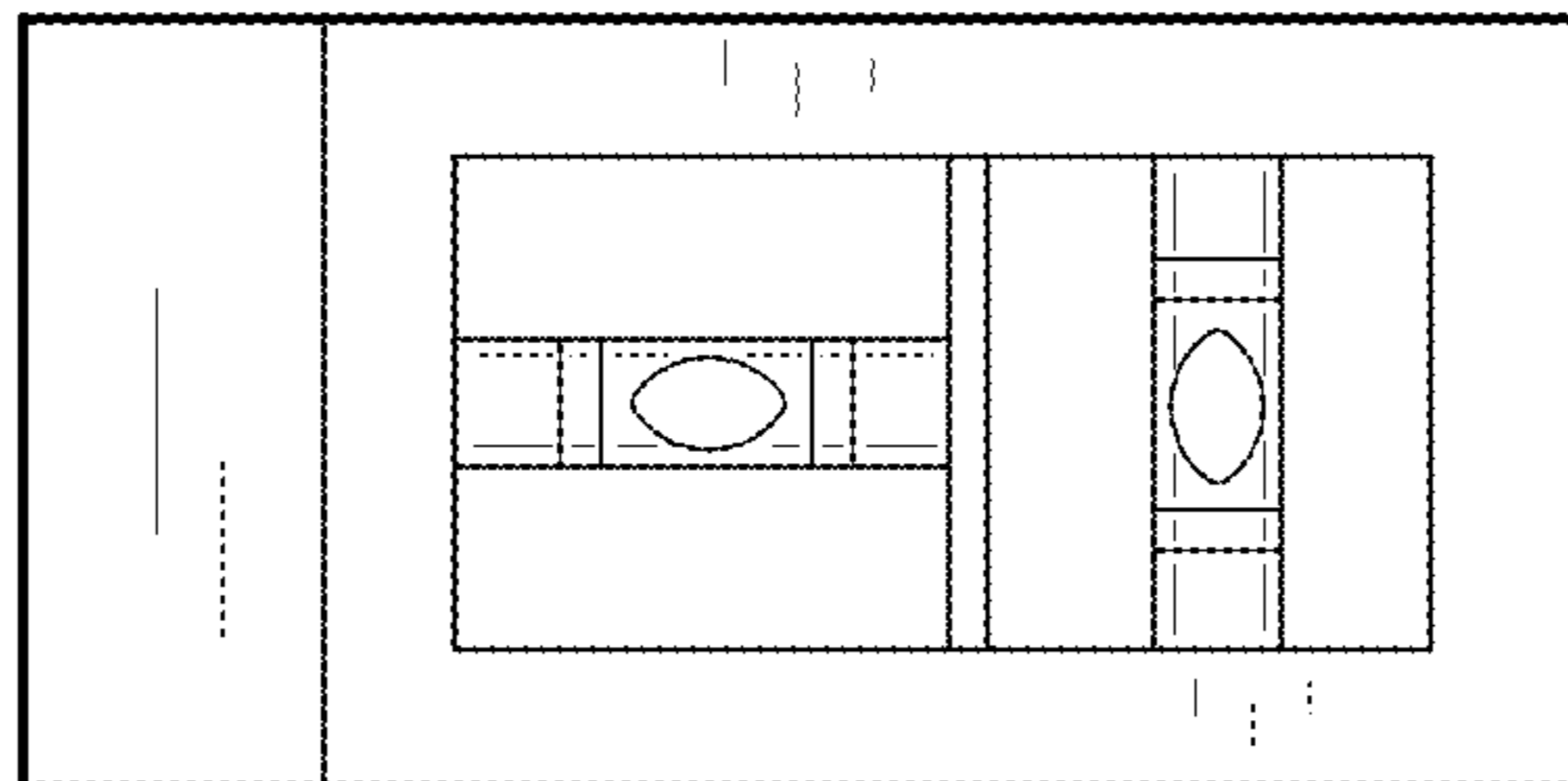


FIG. 5

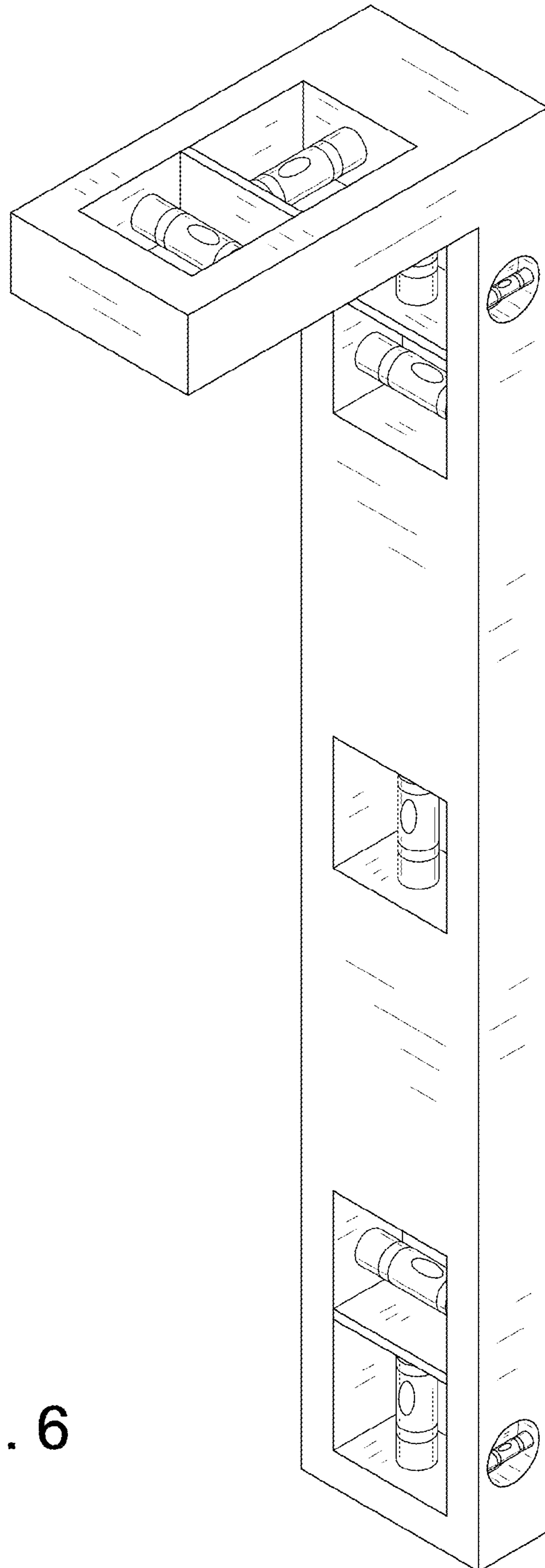


FIG. 6