



US00D934708S

(12) **United States Design Patent**  
**Yang et al.**

(10) **Patent No.:** **US D934,708 S**  
(45) **Date of Patent:** **\*\* Nov. 2, 2021**

(54) **PALLET LOCATION TRACKER**

G09F 3/202; G09F 3/203; G09F 3/204;  
G09F 3/205; G09F 3/206; G09F 3/207;  
G09F 3/208

(71) Applicant: **AMONSENSE CO., LTD.**, Cheonan-si  
(KR)

See application file for complete search history.

(72) Inventors: **Jin-Sung Yang**, Seoul (KR);  
**Byeong-An Yu**, Gwangmyeong-si (KR)

(56) **References Cited**

(73) Assignee: **AMONSENSE CO., LTD.**, Cheonan-si  
(KR)

U.S. PATENT DOCUMENTS

(\*\*) Term: **15 Years**

D775,978 S \* 1/2017 Christianson ..... D10/70  
D818,384 S \* 5/2018 Barovic ..... D10/70

(21) Appl. No.: **29/701,420**

\* cited by examiner

(22) Filed: **Aug. 12, 2019**

*Primary Examiner* — Antoine Duval Davis  
(74) *Attorney, Agent, or Firm* — NSIP Law

(30) **Foreign Application Priority Data**

(57) **CLAIM**

We claim the ornamental design for a pallet location tracker,  
as shown and described.

Feb. 13, 2019 (KR) ..... 30-2019-0006386

**DESCRIPTION**

(51) **LOC (13) Cl.** ..... **10-04**

FIG. 1 is a front perspective view of a pallet location tracker  
showing our new design;  
FIG. 2 is a front view thereof;  
FIG. 3 is a rear view thereof;  
FIG. 4 is a left-side view thereof;  
FIG. 5 is a right-side view thereof;  
FIG. 6 is a top view thereof;  
FIG. 7 is a bottom view thereof; and,  
FIG. 8 is a bottom rear perspective view thereof.

(52) **U.S. Cl.**

USPC ..... **D10/70**

(58) **Field of Classification Search**

USPC ..... D10/70

CPC .... G08B 13/126; G08B 13/128; G08B 13/14;  
G08B 13/1427; G08B 13/1409; G08B  
13/1436; G08B 13/1445; G08B 13/1463;  
G08B 13/1472; G08B 13/1481; G08B  
13/149; G08B 13/2428; G08B 13/2434;  
G08B 13/2437; G08B 21/24; G09F 3/18;  
G09F 3/185; G09F 3/20; G09F 3/201;

The broken lines in the figures depict portions of the pallet  
location tracker which form no part of the claimed design.

**1 Claim, 8 Drawing Sheets**

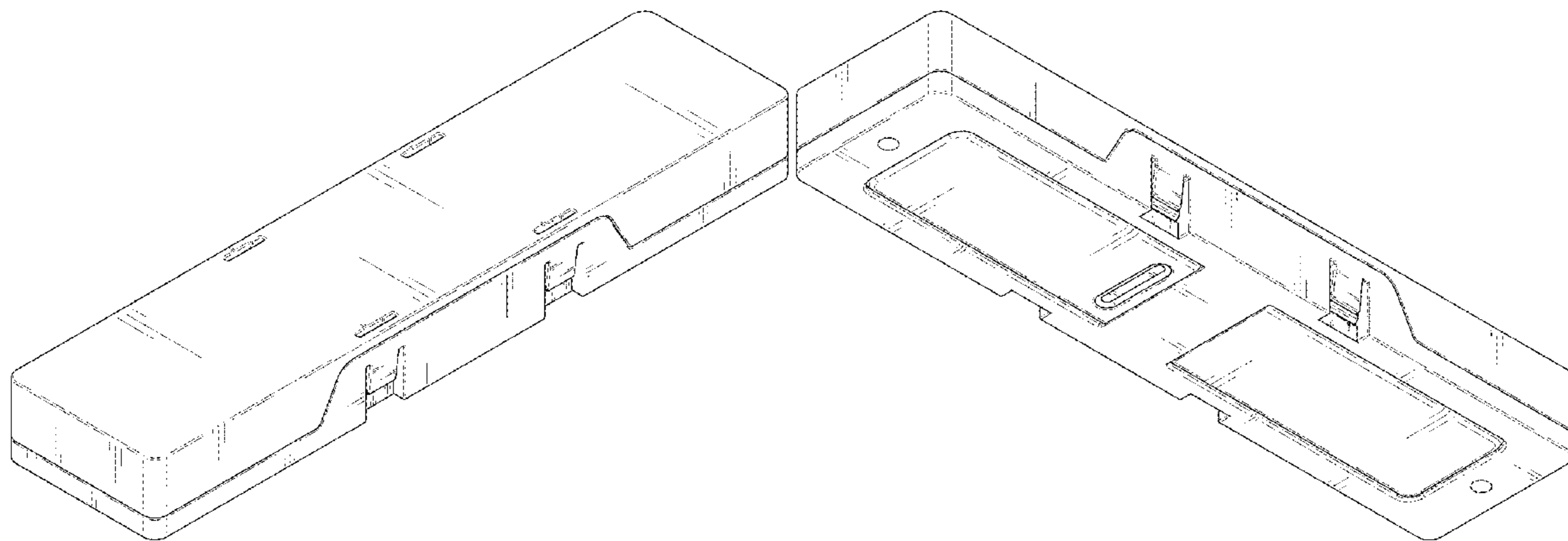


FIG. 1

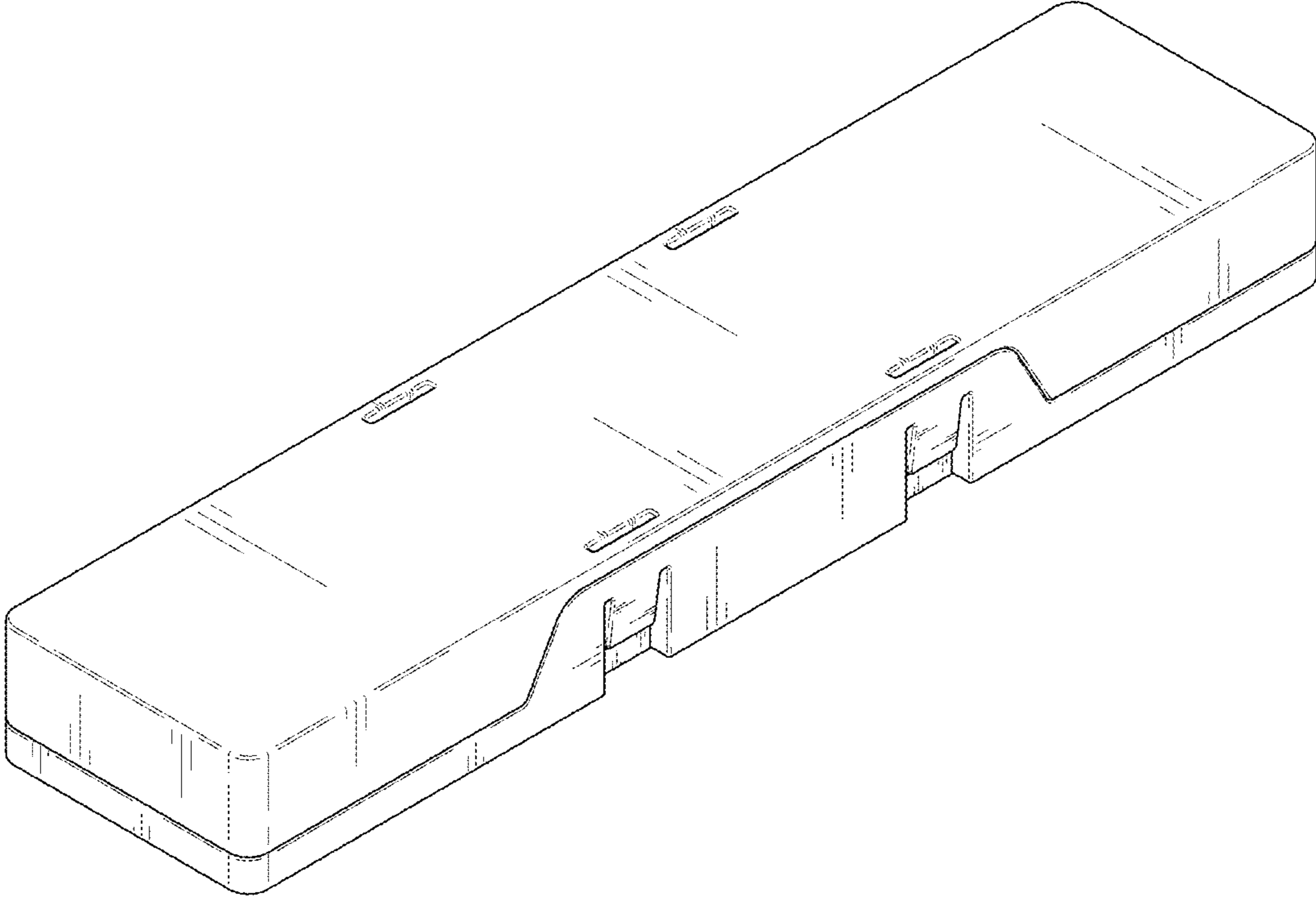


FIG. 2

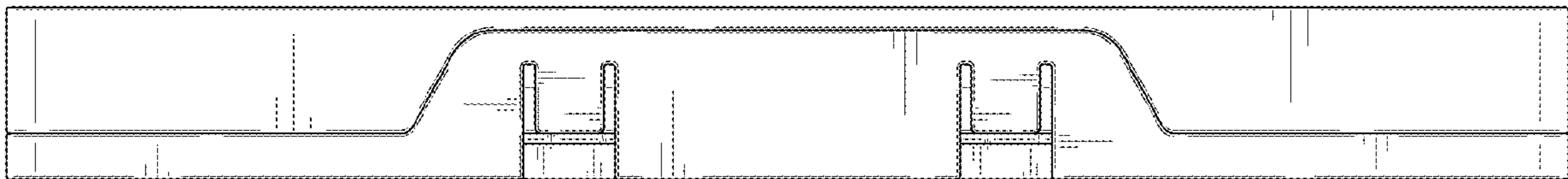


FIG. 3

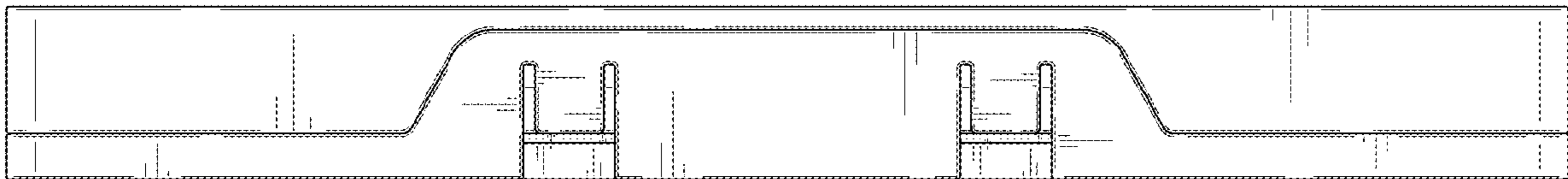


FIG. 4

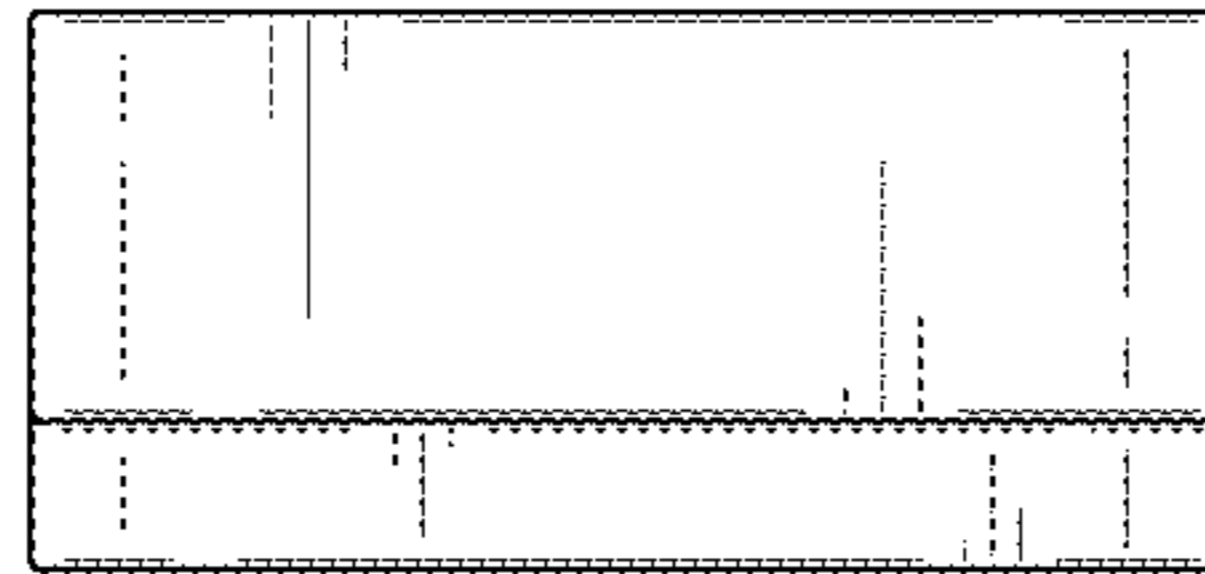


FIG. 5

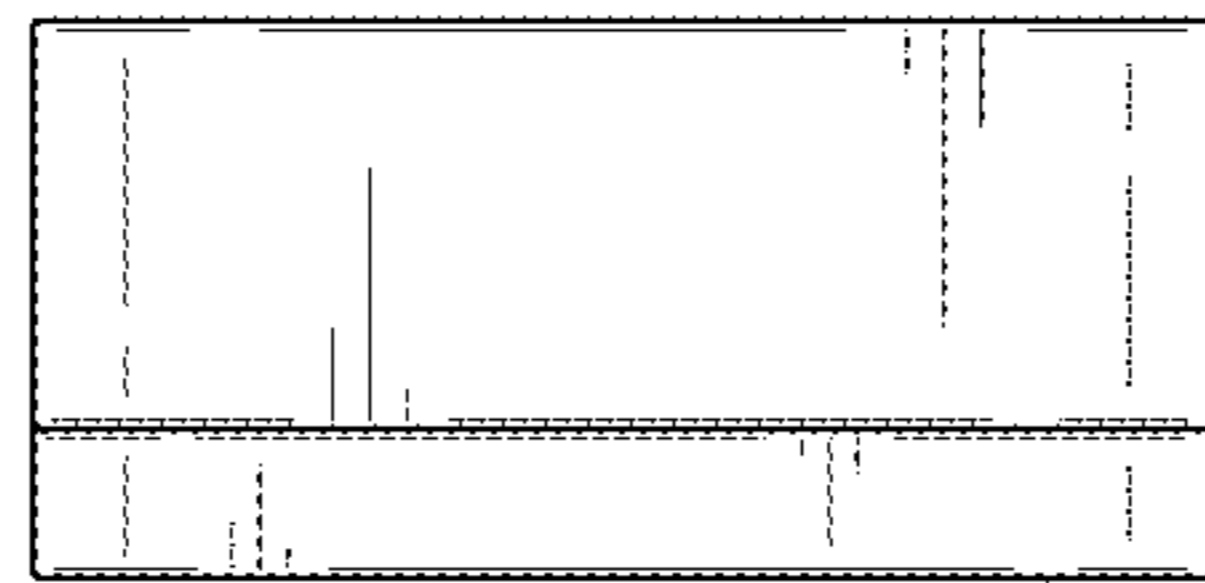


FIG. 6

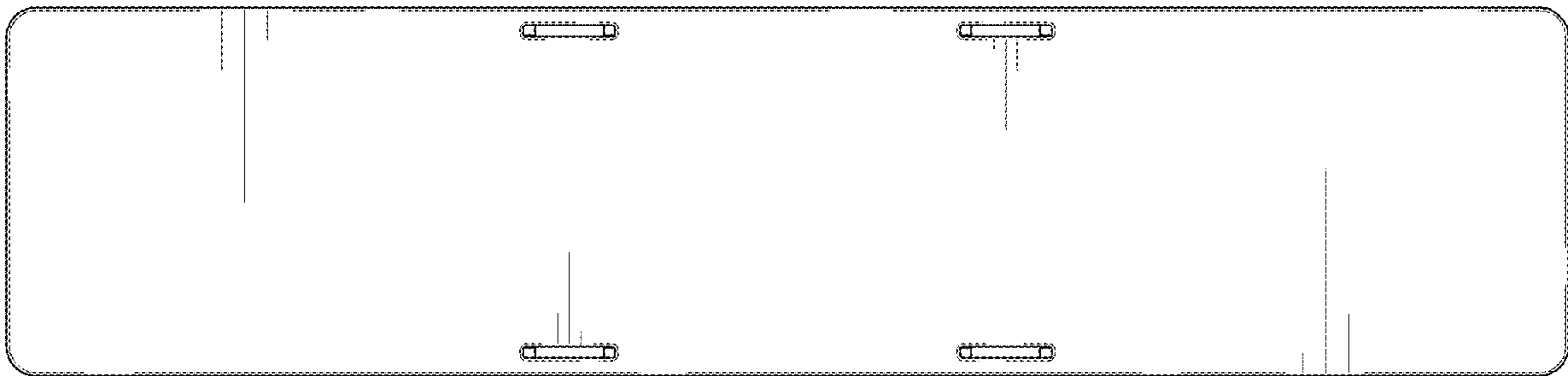


FIG. 7

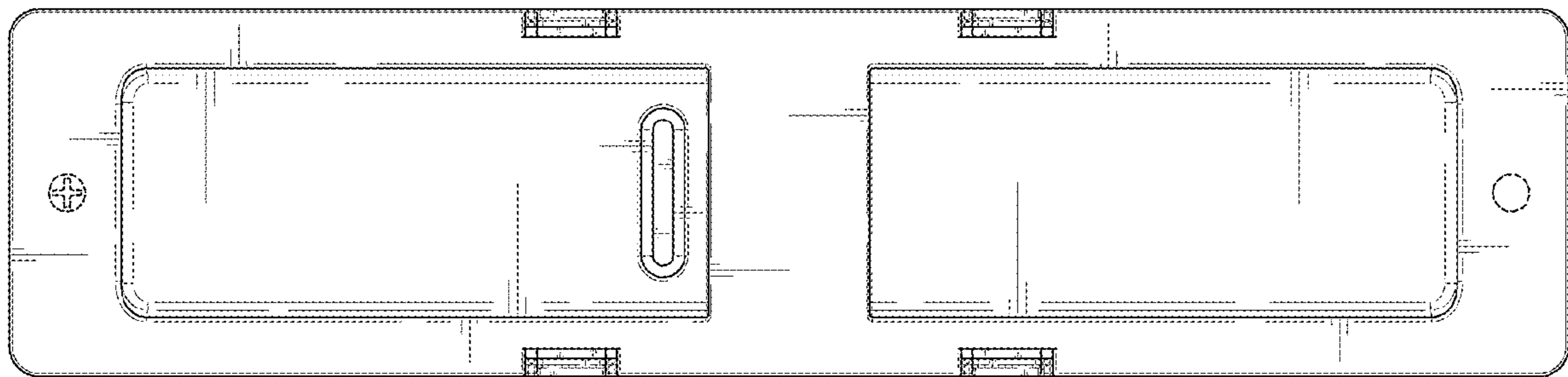




FIG. 8

