



US00D934707S

(12) **United States Design Patent**  
**Woo et al.**

(10) **Patent No.:** **US D934,707 S**

(45) **Date of Patent:** **\*\* Nov. 2, 2021**

(54) **SELF-LEVELING LASER LEVEL**

(71) Applicant: **Fluke Corporation**, Everett, WA (US)

(72) Inventors: **Ginger M. Woo**, Shoreline, WA (US);  
**Paul A. Richer**, Everett, WA (US)

(73) Assignee: **Fluke Corporation**, Everett, WA (US)

(\*\*) Term: **15 Years**

(21) Appl. No.: **29/740,787**

(22) Filed: **Jul. 7, 2020**

**Related U.S. Application Data**

(62) Division of application No. 29/671,998, filed on Nov. 30, 2018, now Pat. No. Des. 891,951.

(51) **LOC (13) Cl.** ..... **10-04**

(52) **U.S. Cl.**  
USPC ..... **D10/69**

(58) **Field of Classification Search**  
USPC ..... D10/69  
CPC .... G01C 15/00; G01C 15/002; G01C 15/004;  
G01C 15/006; G01C 15/008; G01C  
15/02; G01C 15/04; G01C 15/06; G01C  
15/08; G01C 15/10; G01C 15/105; G01C  
15/12; G01C 15/14

See application file for complete search history.

(56) **References Cited**

**U.S. PATENT DOCUMENTS**

D698,672 S \* 2/2014 Gulunov ..... D10/69  
D850,942 S \* 6/2019 Corrigan ..... D10/69  
D891,951 S \* 8/2020 Woo ..... D10/69

**OTHER PUBLICATIONS**

PLS, A Fluke Company, "PLS 480 Red System", Pacific Laser Systems © 2018, 3 pages.

PLS, A Fluke Company, "PLS 180 Red Line Laser Tool", Pacific Laser Systems © 2018, 3 pages.

\* cited by examiner

*Primary Examiner* — Antoine Duval Davis

(74) *Attorney, Agent, or Firm* — Seed Intellectual Property Law Group LLP

(57) **CLAIM**

The ornamental design for a self-leveling laser level, as shown and described.

**DESCRIPTION**

FIG. 1 is a top, front right side perspective view of a self-leveling laser level showing our new design.

FIG. 2 is a bottom, rear, left side perspective view thereof.

FIG. 3 is right side elevation view thereof.

FIG. 4 is a front elevation view thereof.

FIG. 5 is a left side elevation view thereof.

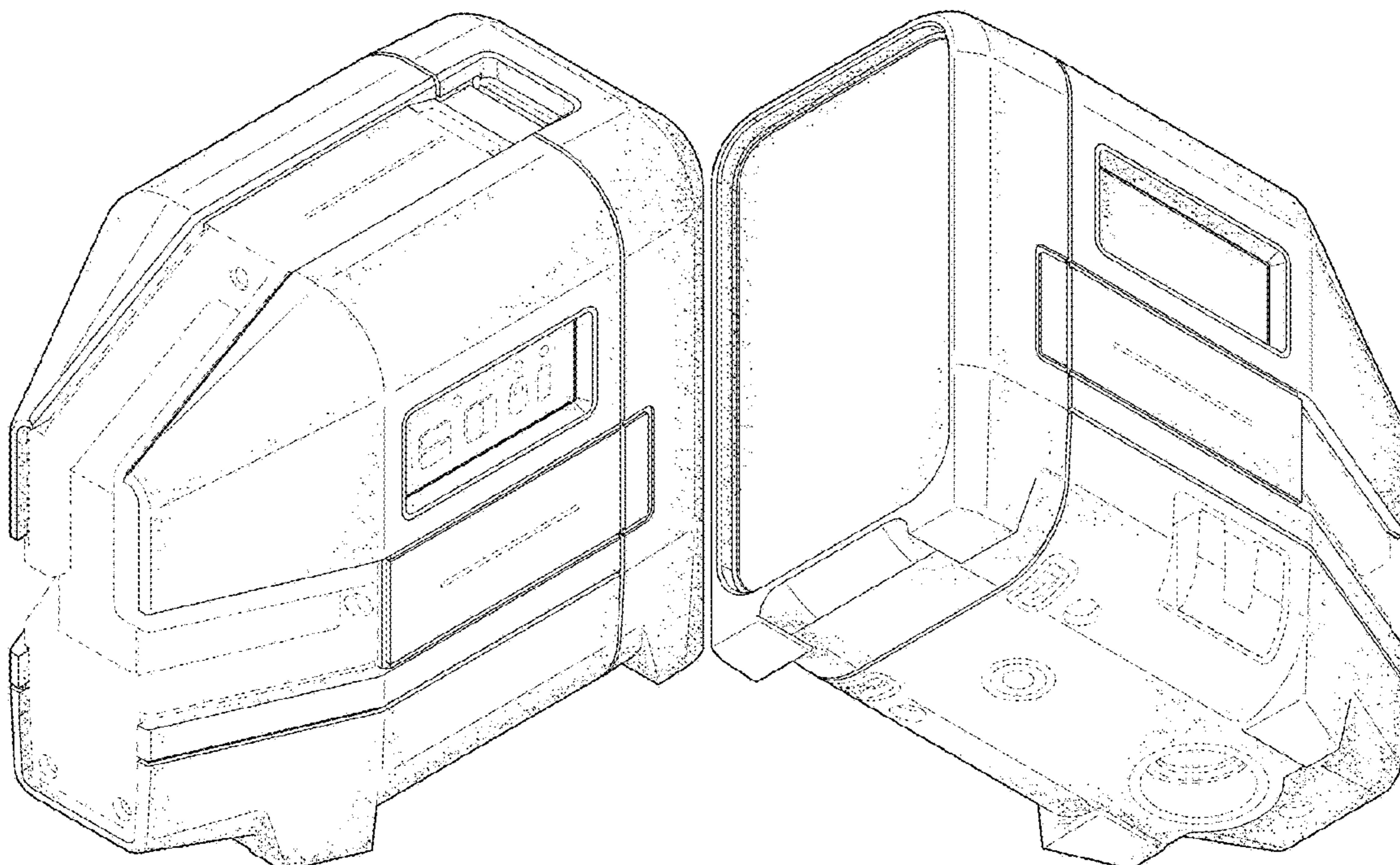
FIG. 6 is a rear elevation view thereof.

FIG. 7 is a top plan view thereof; and,

FIG. 8 is a bottom plan view thereof.

The dashed lines in the figures illustrate portions of the self-leveling laser level in which the design is embodied that form no part of the claimed design. The dash-dot lines immediately adjacent shaded areas represent bounds of the claimed design and form no part thereof. The stippling in the figures provides surface shading that merely clarifies contours of the surface and does not indicate surface texture, material, or color.

**1 Claim, 8 Drawing Sheets**



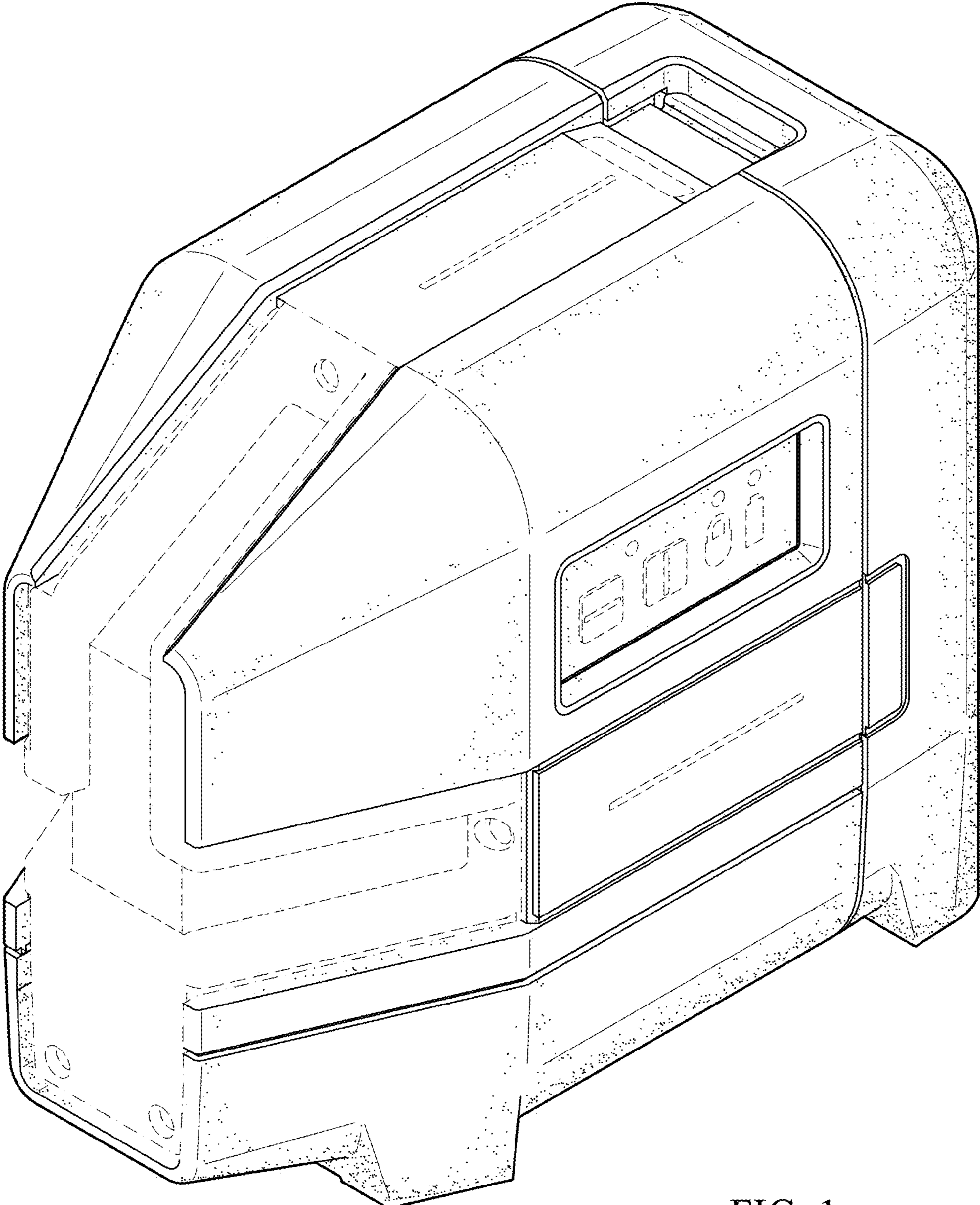


FIG. 1

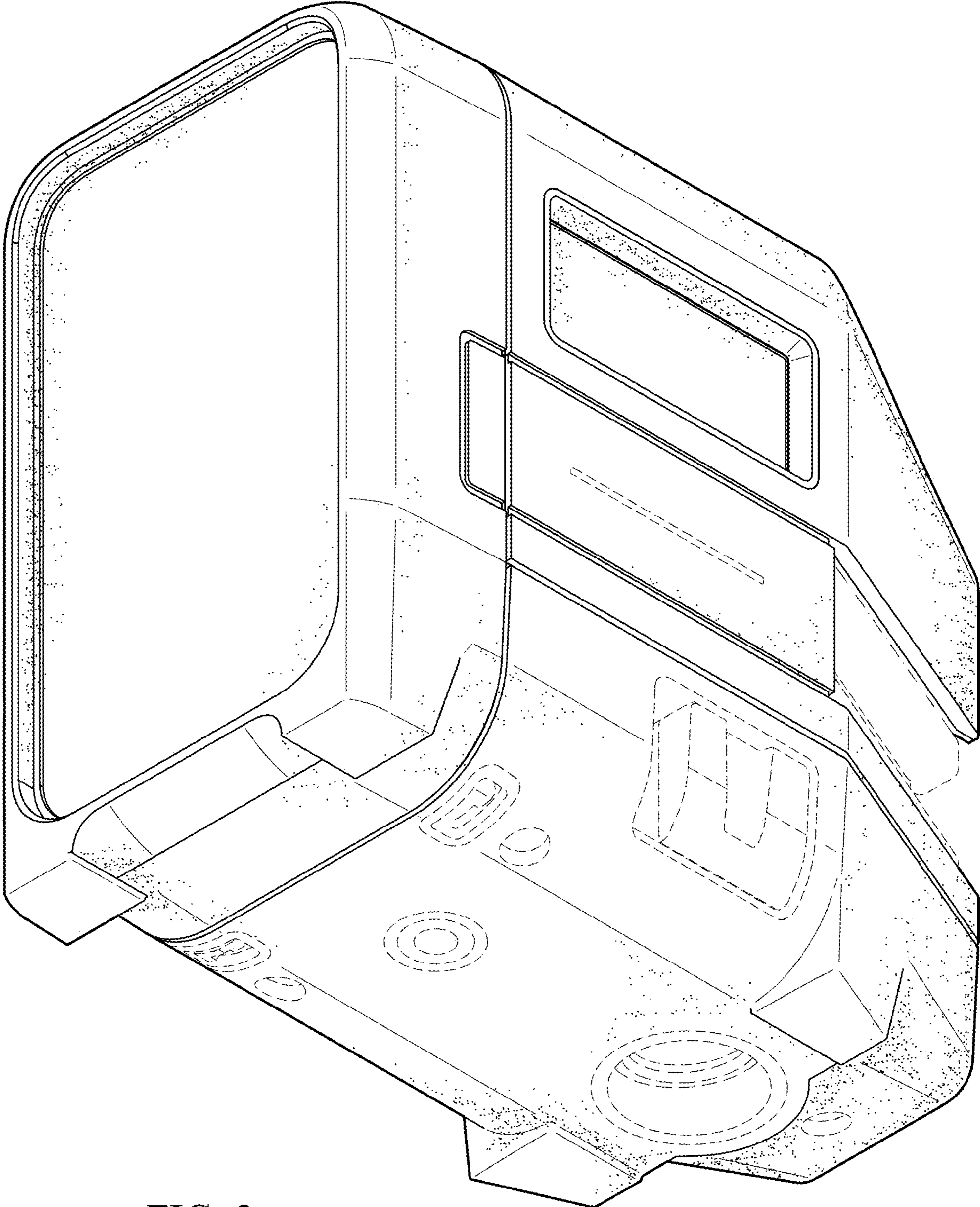


FIG. 2

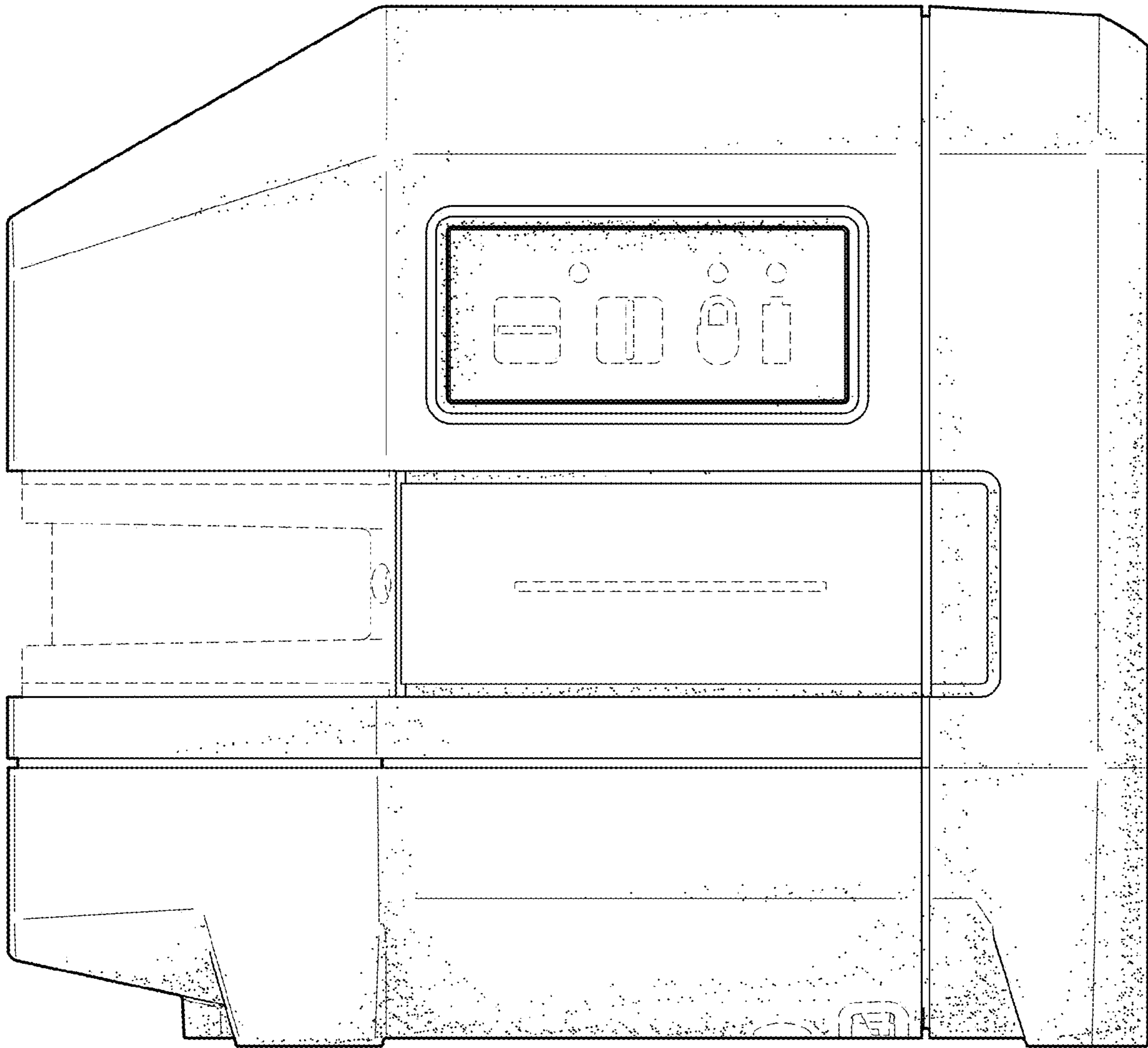


FIG. 3

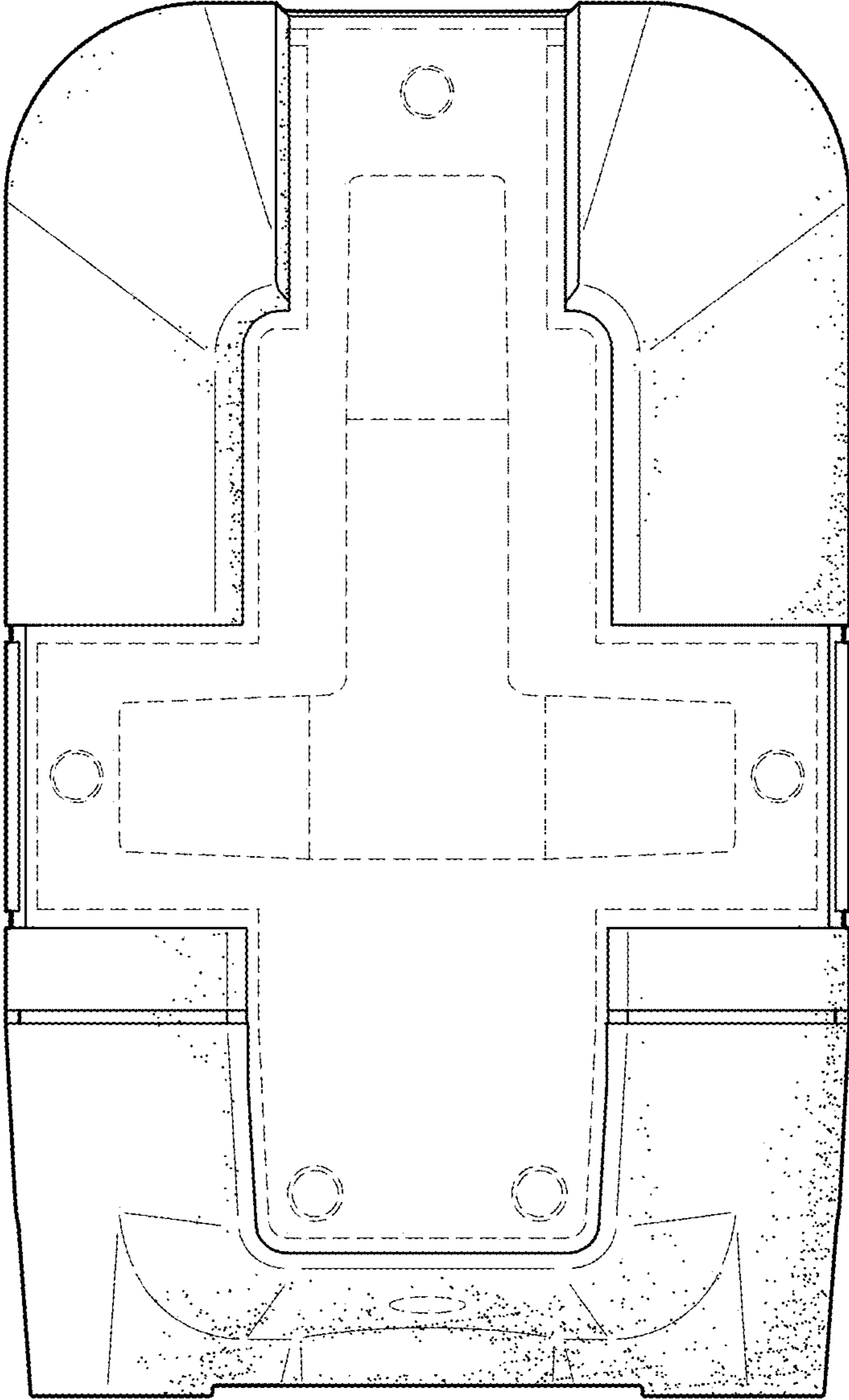


FIG. 4

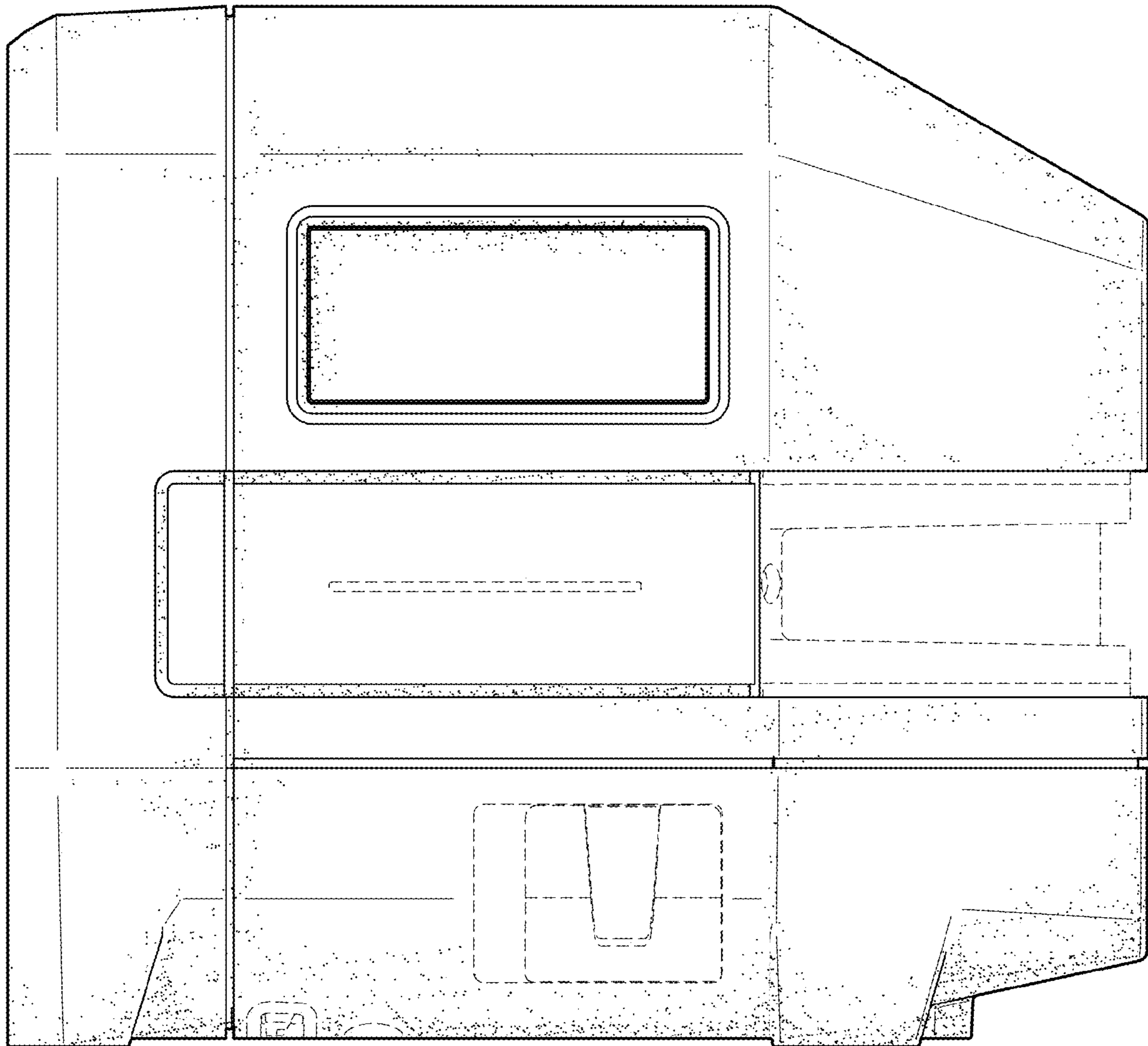


FIG. 5

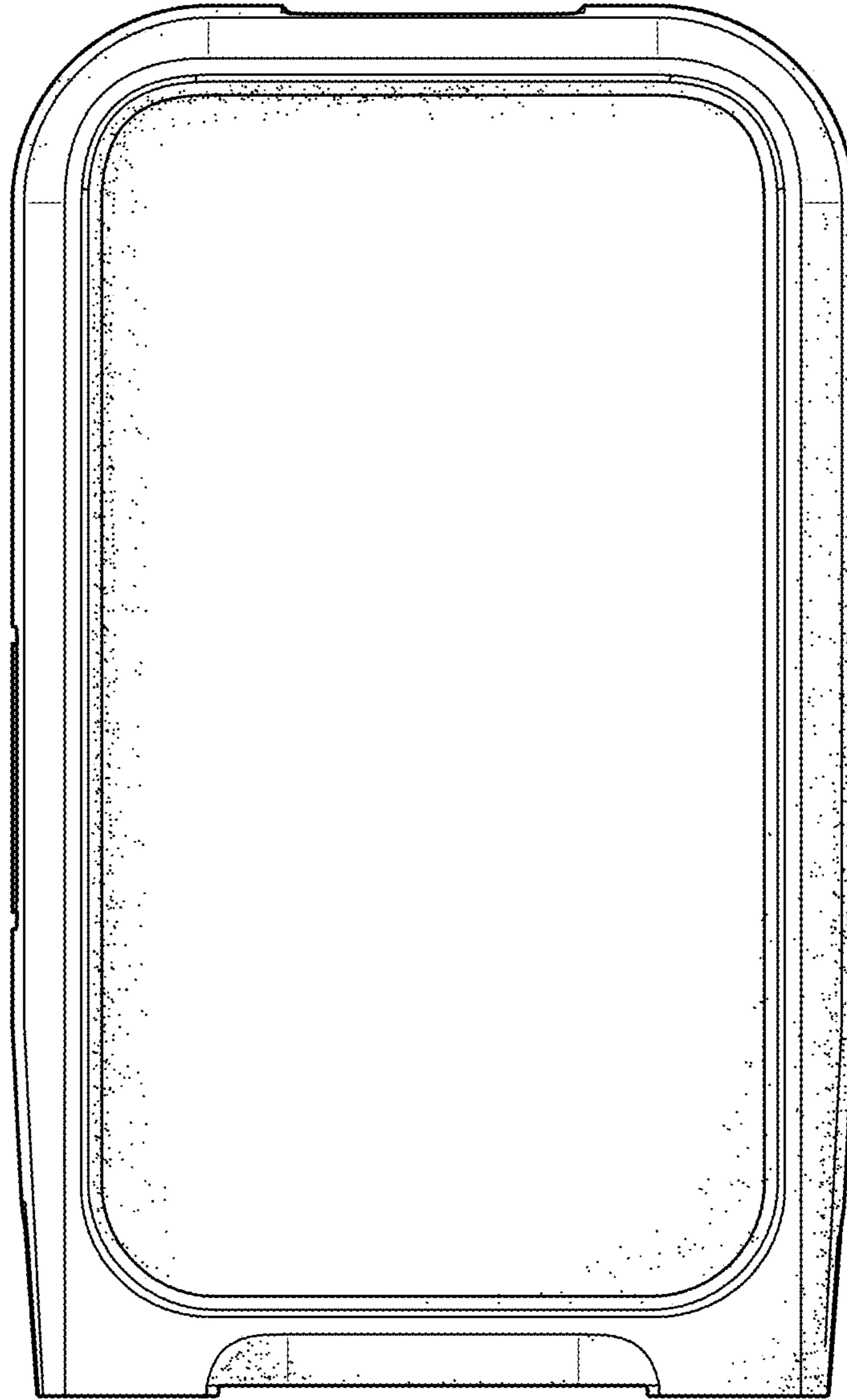


FIG. 6

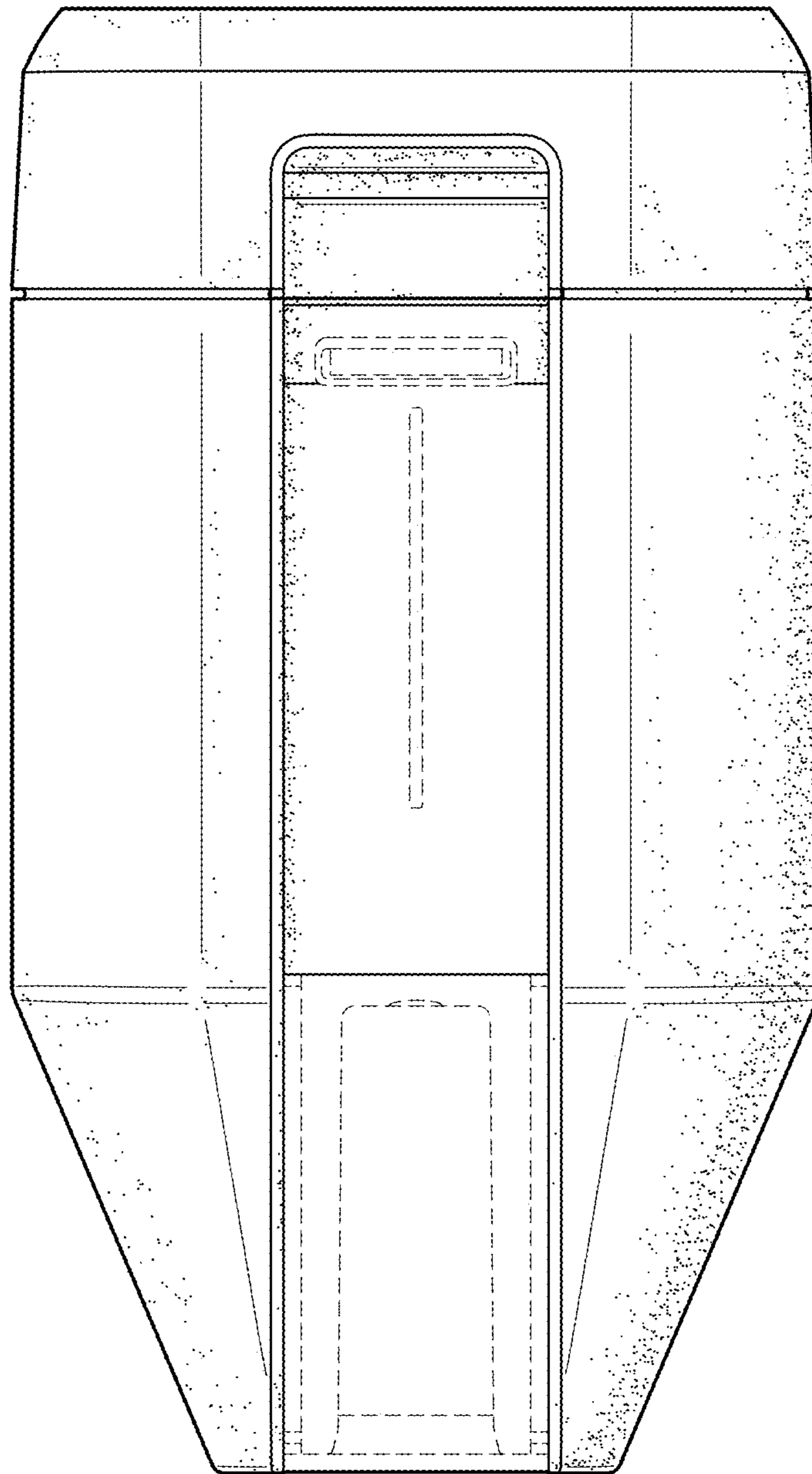


FIG. 7



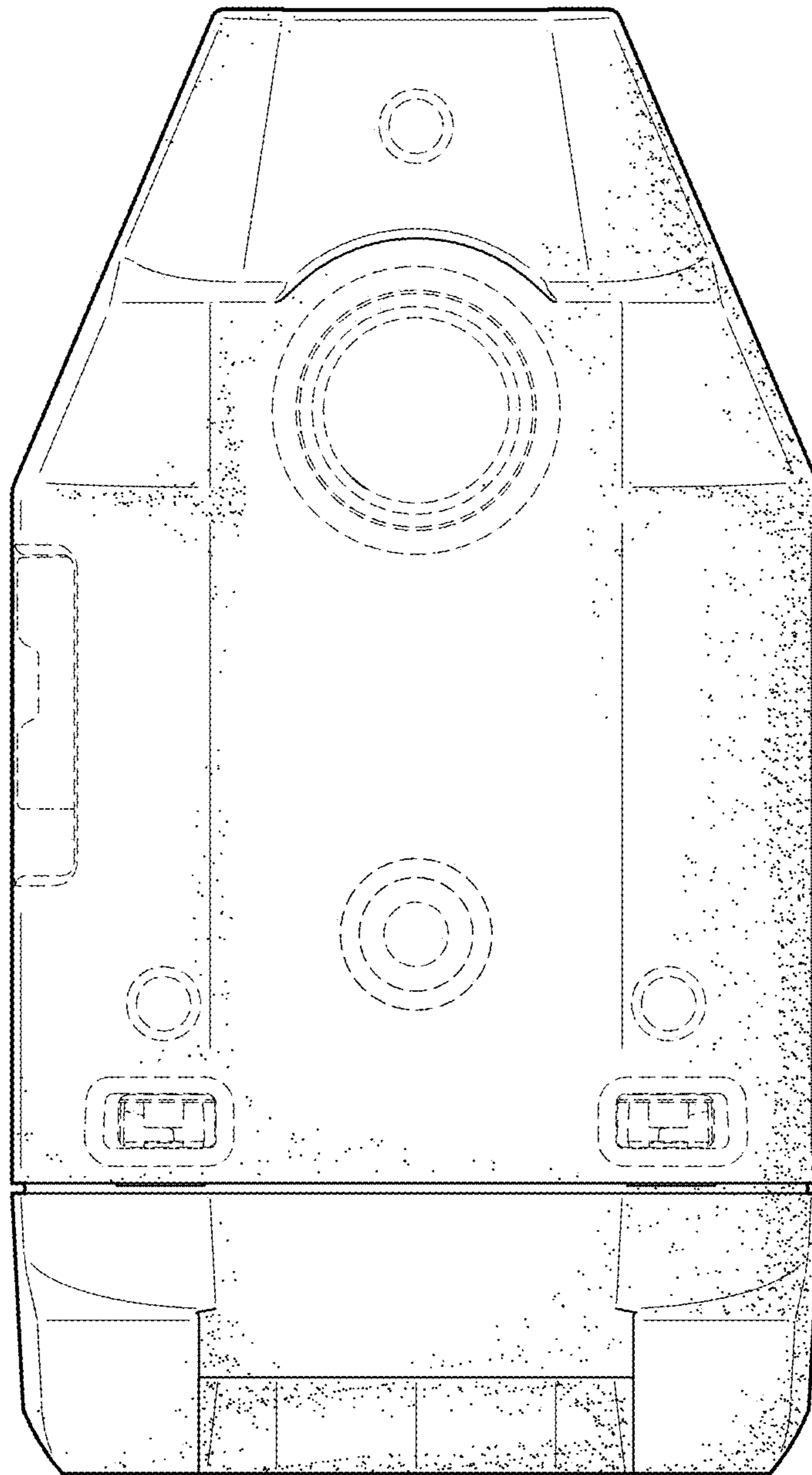


FIG. 8