

US00D934705S

(12) **United States Design Patent** (10) **Patent No.:** **US D934,705 S**  
**Ramasamy et al.** (45) **Date of Patent:** **\*\* Nov. 2, 2021**

(54) **REFRIGERATION CONTROLLER HOUSING**

(71) Applicant: **Heatcraft Refrigeration Products LLC, Richardson, TX (US)**

(72) Inventors: **Surendran Ramasamy, Chennai (IN); Stephen J. Vendt, Lewisville, TX (US); Shashwat Nath, Sandy Springs, GA (US); Mohan Renganathan, Chennai (IN); Aravind Sridharan, Chennai (IN); Gary Jones, Atlanta, GA (US)**

(73) Assignee: **Heatcraft Refrigeration Products LLC, Richardson, TX (US)**

(\*\*) Term: **15 Years**

(21) Appl. No.: **29/714,885**

(22) Filed: **Nov. 26, 2019**

(51) **LOC (13) Cl.** ..... **10-04**

(52) **U.S. Cl.**  
USPC ..... **D10/49**

(58) **Field of Classification Search**  
USPC ..... D10/49, 50, 51, 52, 53; D13/162, 162.1; D15/79, 89  
CPC ..... F25B 49/00; G05B 11/00; G05B 13/00; G05B 15/00; G05B 19/00; G05B 19/414  
See application file for complete search history.

(56) **References Cited**

**U.S. PATENT DOCUMENTS**

D175,854 S \* 10/1955 Ray et al. .... D10/51  
D219,980 S \* 2/1971 McMenamy et al. .... D13/162

D220,696 S \* 5/1971 Lazzo, III ..... D13/162  
D358,560 S \* 5/1995 George ..... D10/103  
D394,842 S \* 6/1998 Kellstedt, Jr. .... D13/162  
D578,027 S \* 10/2008 Bray ..... D10/50  
D751,423 S \* 3/2016 Baldwin ..... D10/40  
D776,172 S \* 1/2017 Jensen ..... D15/89

**FOREIGN PATENT DOCUMENTS**

IN 215842-0001 \* 4/2011

\* cited by examiner

*Primary Examiner* — Leanne Was-Englehart

(74) *Attorney, Agent, or Firm* — Hubbard Johnston, PLLC

(57) **CLAIM**

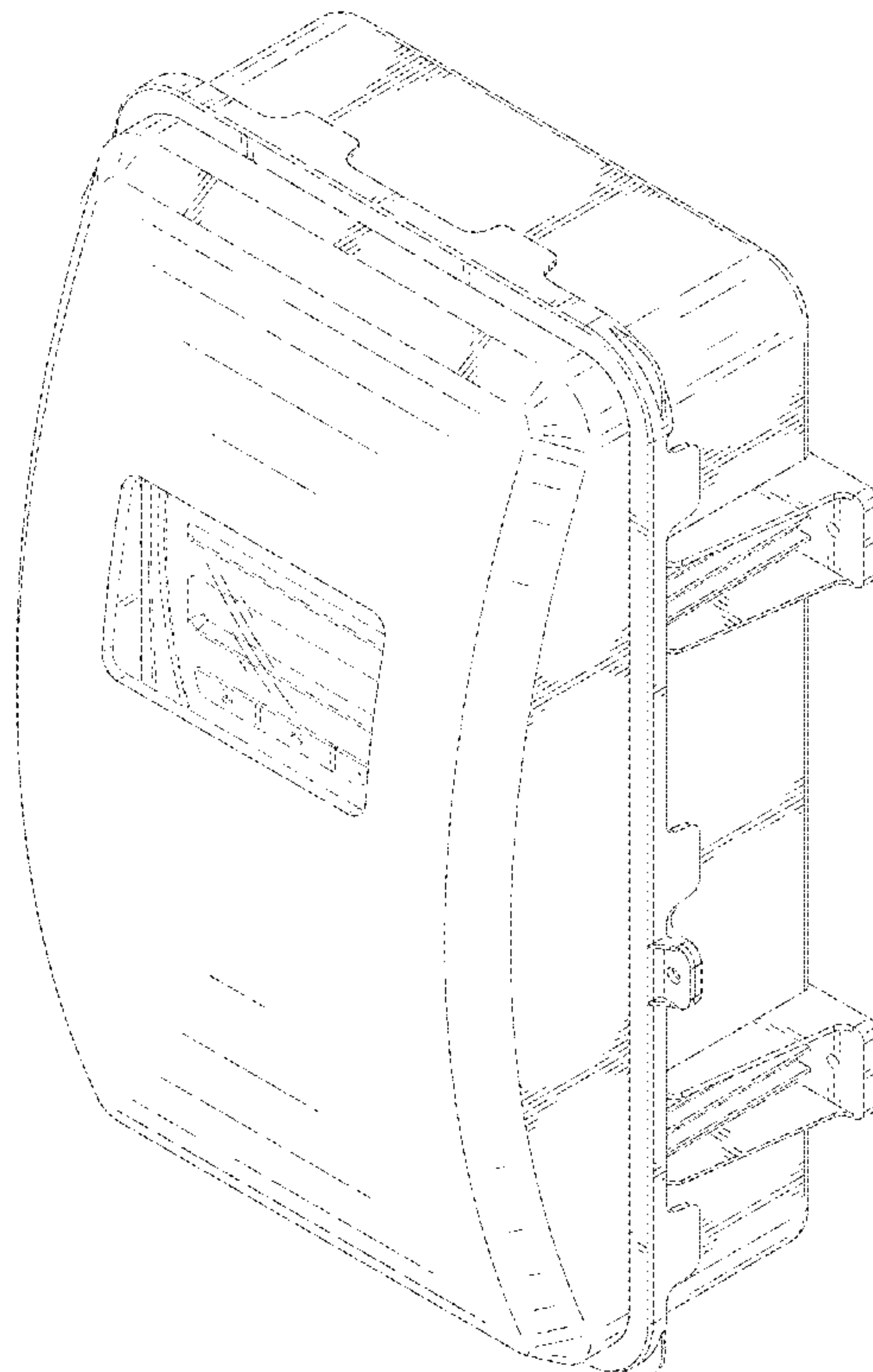
The ornamental design for a refrigeration controller housing, as shown and described.

**DESCRIPTION**

FIG. 1 is a front perspective view of a refrigeration controller housing showing our new design; FIG. 2 is a front view thereof; FIG. 3 is a rear view thereof; FIG. 4 is a right side view thereof; FIG. 5 is a left side view thereof; FIG. 6 is a top view thereof; and, FIG. 7 is a bottom view thereof.

The broken lines in the figures depict portions of the refrigeration controller housing and form no part of the claimed design.

**1 Claim, 6 Drawing Sheets**



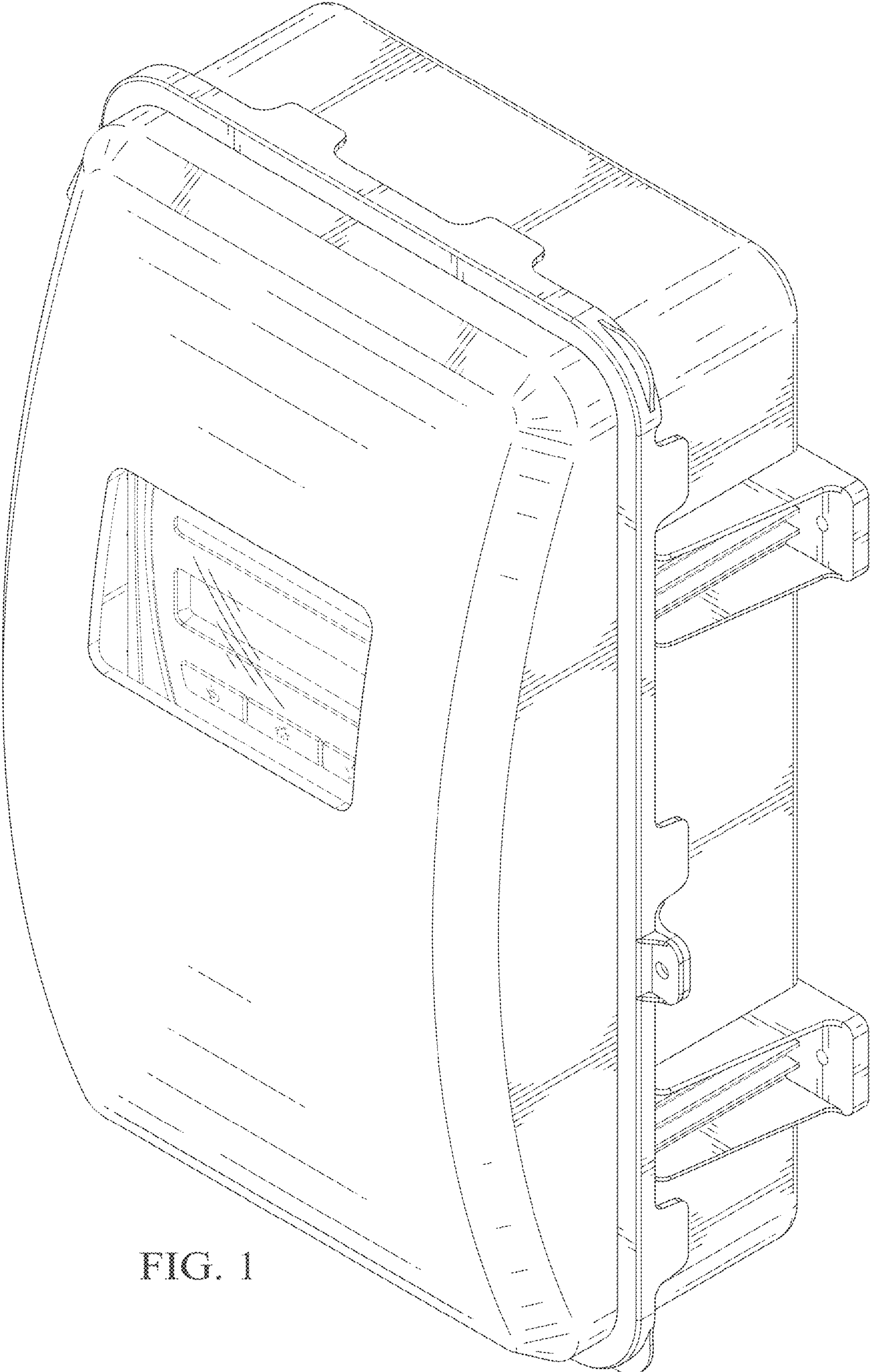


FIG. 1

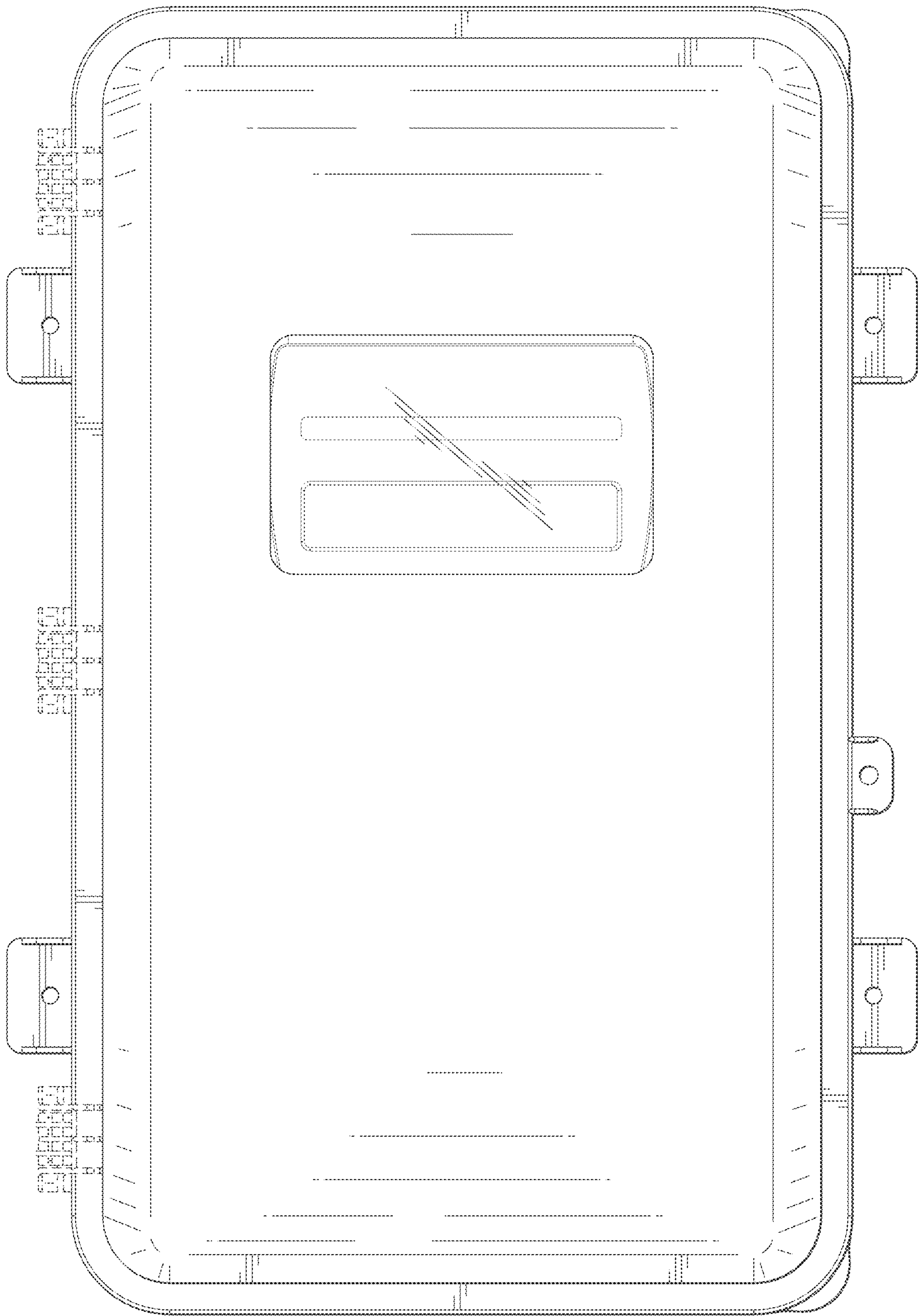


FIG. 2



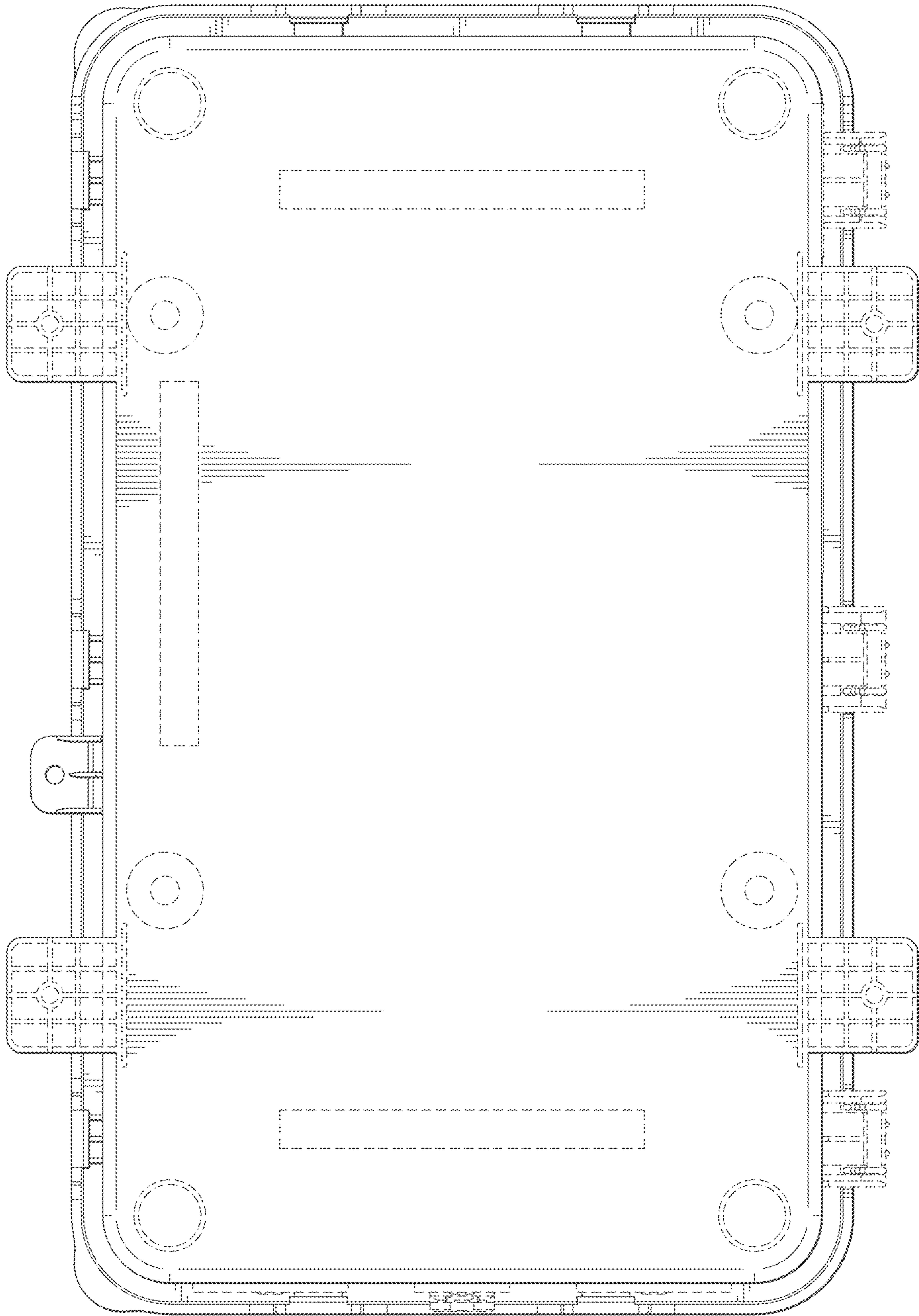


FIG. 3

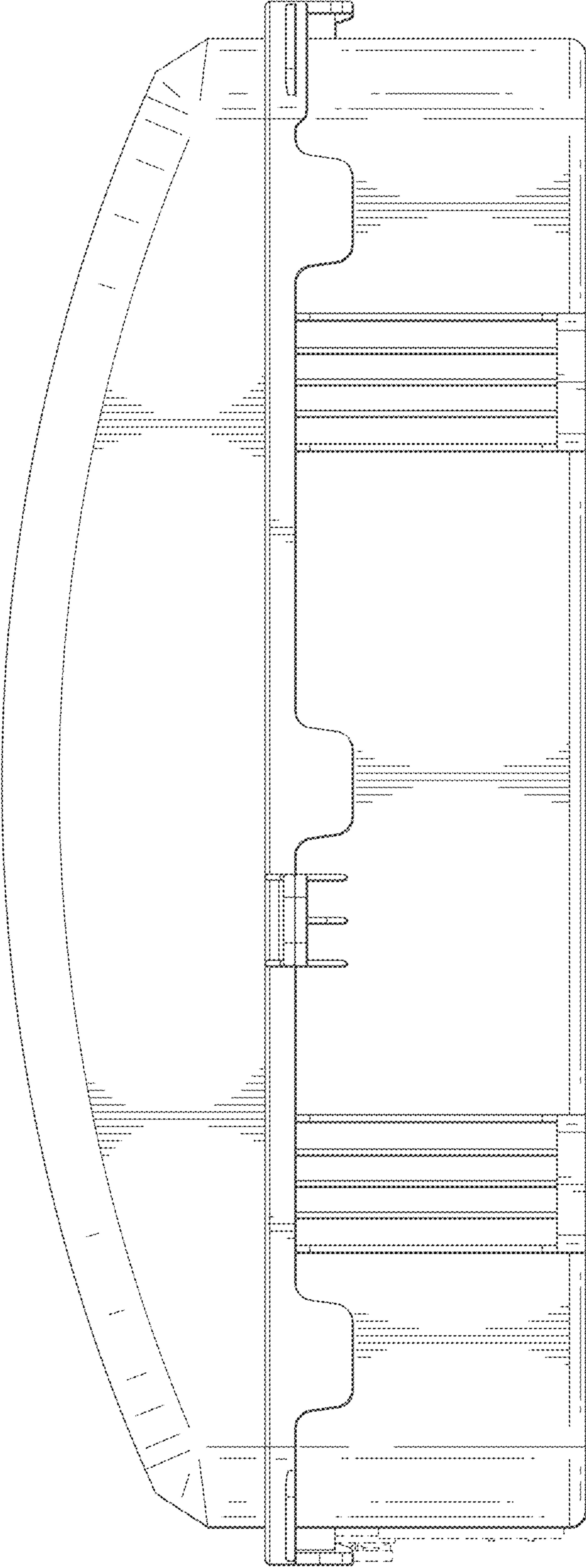


FIG. 4

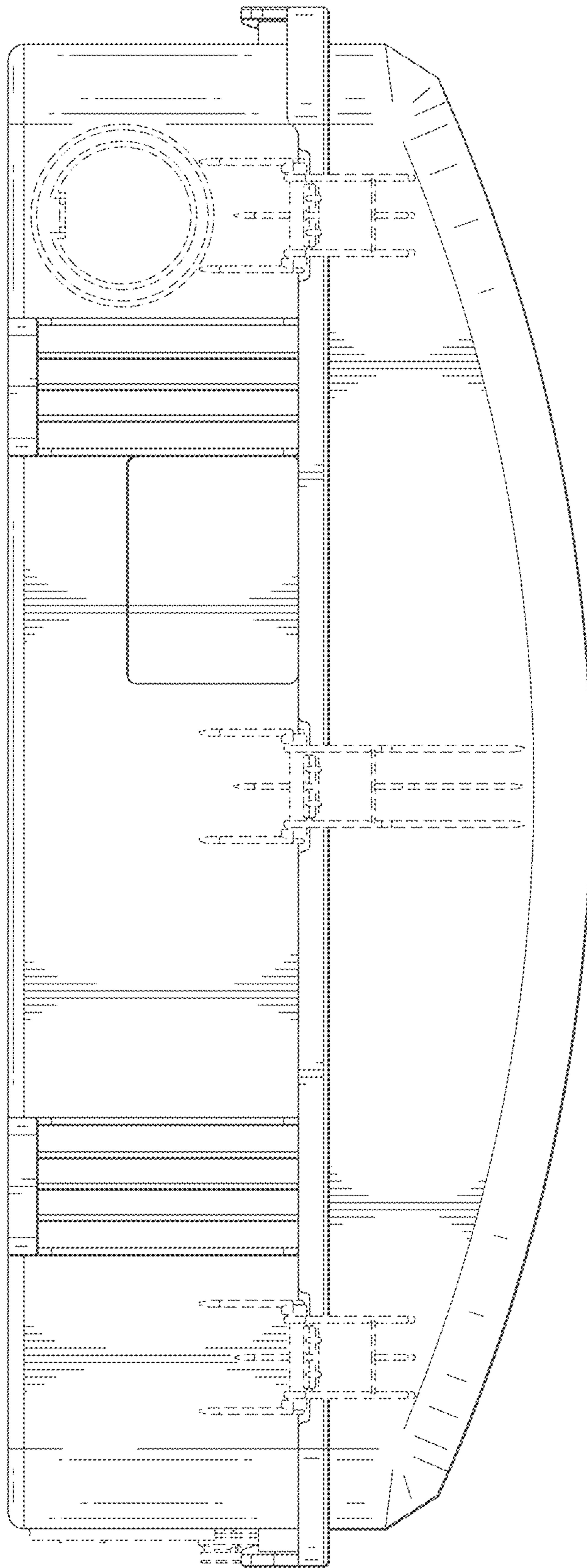


FIG. 5

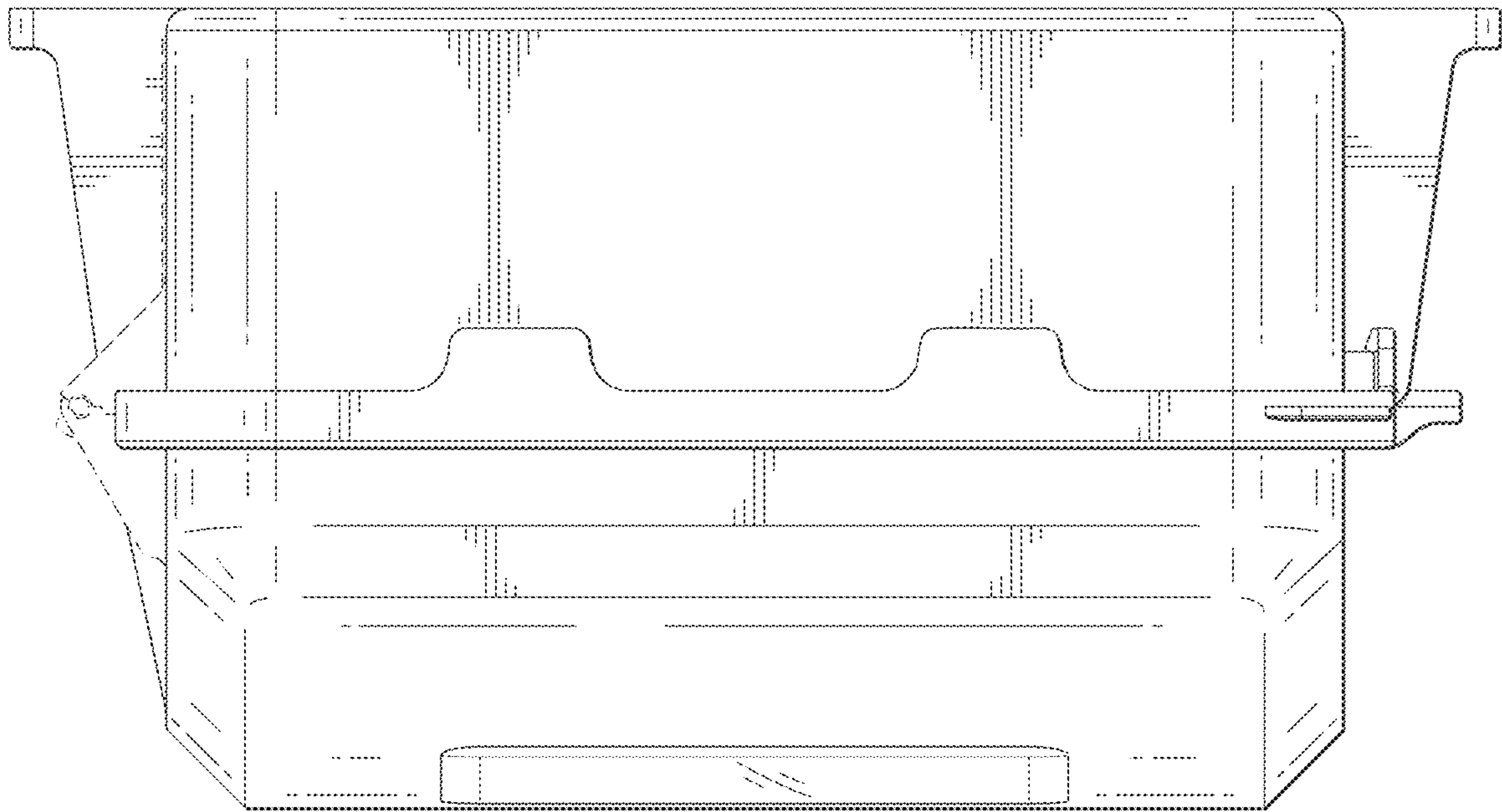


FIG. 6

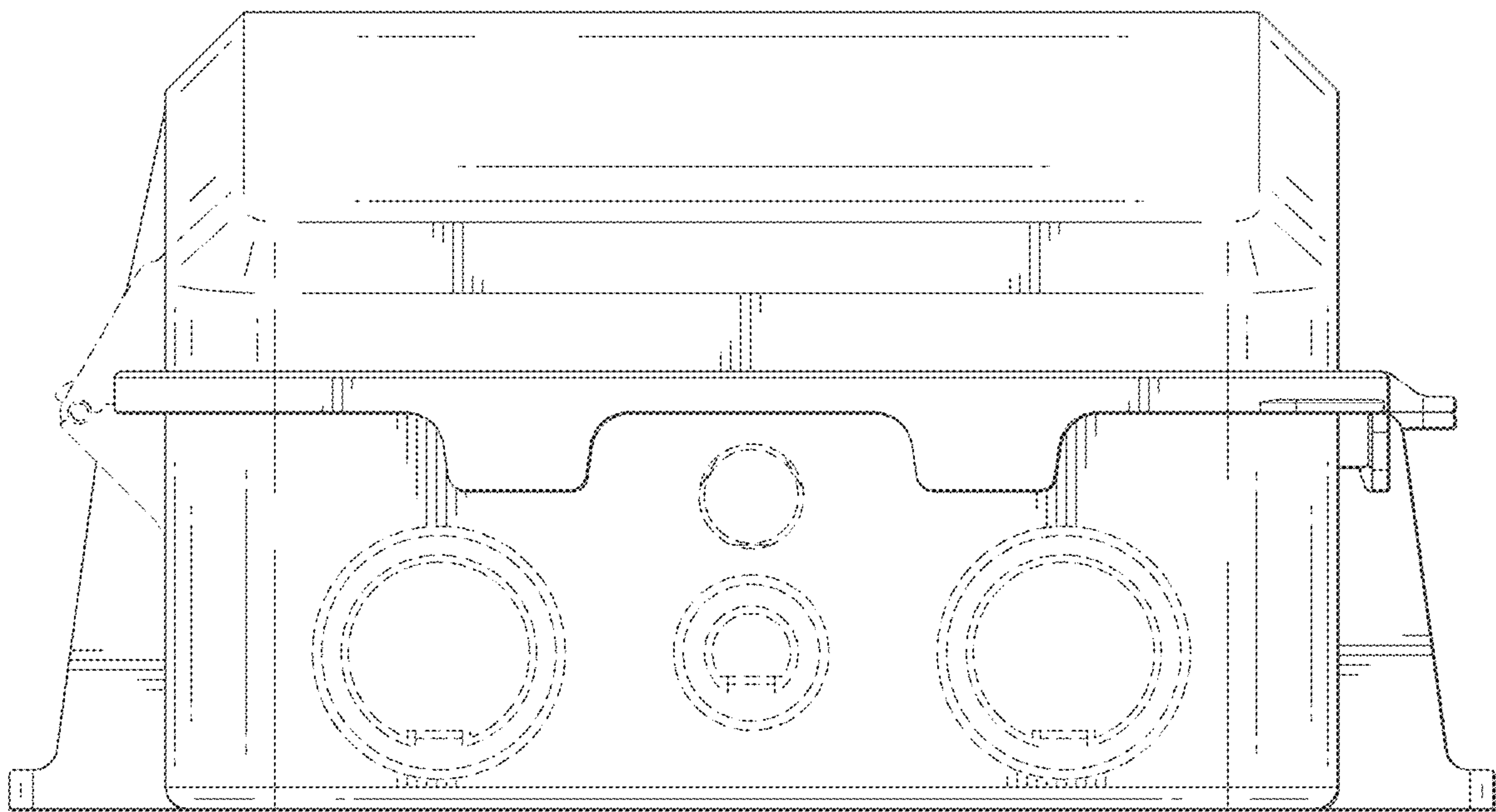


FIG. 7