



US00D934704S

(12) **United States Design Patent** (10) **Patent No.:** **US D934,704 S**  
**Reiner et al.** (45) **Date of Patent:** **\*\* Nov. 2, 2021**

(54) **TEMPERATURE CONTROLLER** 6,354,508 B1 \* 3/2002 Fogh ..... G05D 23/19  
236/78 R  
(71) Applicant: **ELIWELL CONTROLS S.R.L. CON UNICO SOCIO**, Pieve d'Alpago (IT) D731,338 S \* 6/2015 Funayama ..... D10/74  
D731,907 S \* 6/2015 Funayama ..... D10/74  
D881,038 S \* 4/2020 Furukawa ..... D10/49

(72) Inventors: **Guillaume Reiner**, Pieve d'Alpago (IT); **Yee Hsien Tan**, Pieve d'Alpago (IT)

(73) Assignee: **ELIWELL CONTROLS S.R.L. CON UNICO SOCIO**, Pieve d'Alpago (IT)

(\*\*) Term: **15 Years**

(21) Appl. No.: **29/707,820**

(22) Filed: **Oct. 1, 2019**

(30) **Foreign Application Priority Data**

Apr. 5, 2019 (EM) ..... 006369849

(51) **LOC (13) Cl.** ..... **10-05**

(52) **U.S. Cl.**  
USPC ..... **D10/49**

(58) **Field of Classification Search**  
USPC ..... D10/46, 49, 50, 51, 52, 53  
CPC ..... G05D 23/19; G05D 23/1931  
See application file for complete search history.

(56) **References Cited**

**U.S. PATENT DOCUMENTS**

D260,004 S \* 7/1981 Ohhasi ..... D10/50  
4,827,731 A \* 5/1989 Ikeda ..... G05D 23/1902  
62/161

**FOREIGN PATENT DOCUMENTS**

JP D1479914 \* 9/2013  
JP D1484151 \* 11/2013

\* cited by examiner

*Primary Examiner* — Leanne Was-Englehart

(74) *Attorney, Agent, or Firm* — Panitch Schwarze Belisario & Nadel LLP

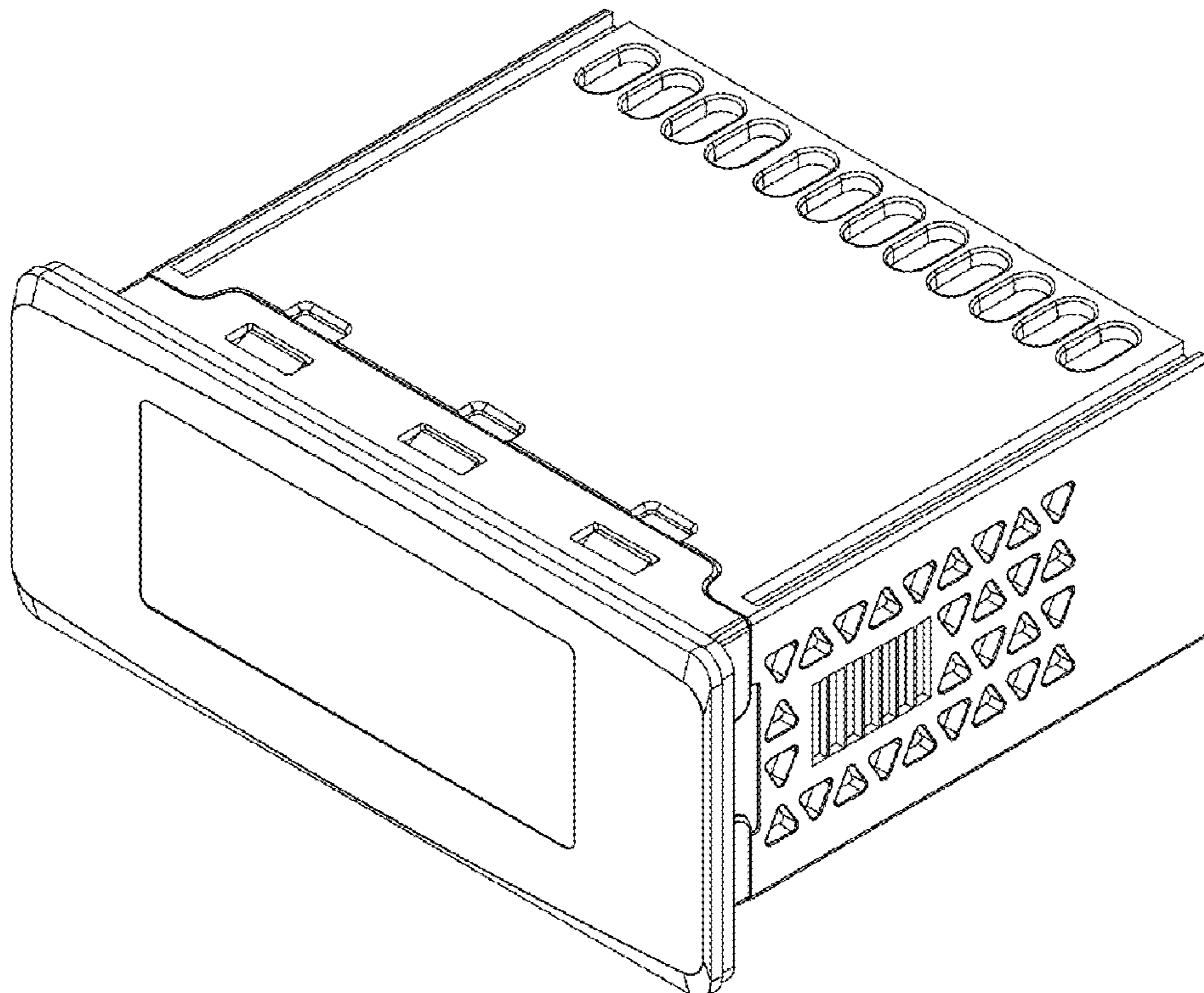
(57) **CLAIM**

The ornamental design for a temperature controller, as shown and described.

**DESCRIPTION**

FIG. 1 is a front, top and left-side perspective view of a temperature controller in accordance with our new design; FIG. 2 is a front elevational view thereof; FIG. 3 is a left-side elevational view thereof; FIG. 4 is a right-side elevational view thereof; and, FIG. 5 is a top plan view thereof. The rear elevational view and the bottom plan view of the temperature controller are not shown in the drawings, or described in the specification and, therefore, form no part of the claimed design.

**1 Claim, 5 Drawing Sheets**



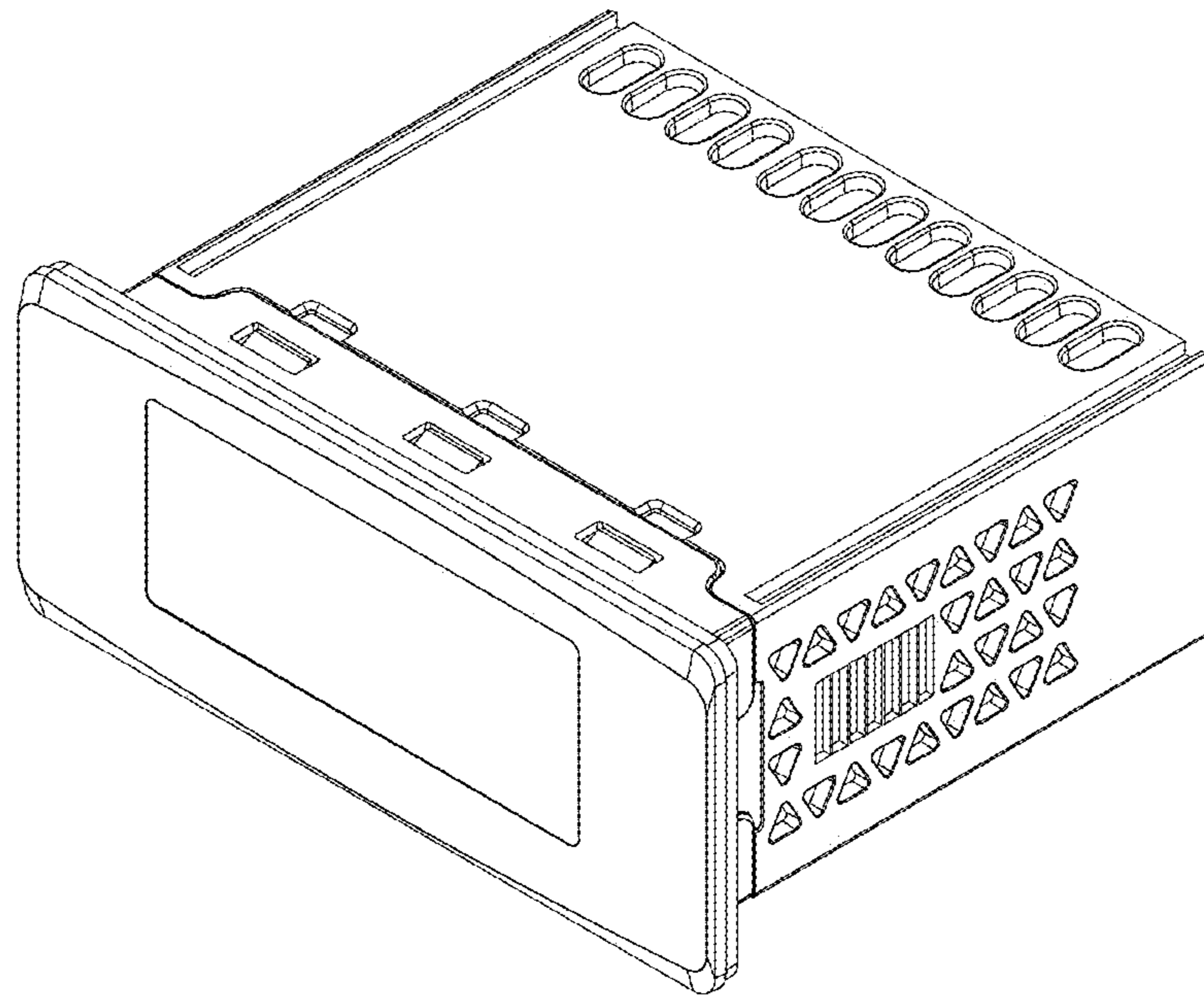


Fig. 1

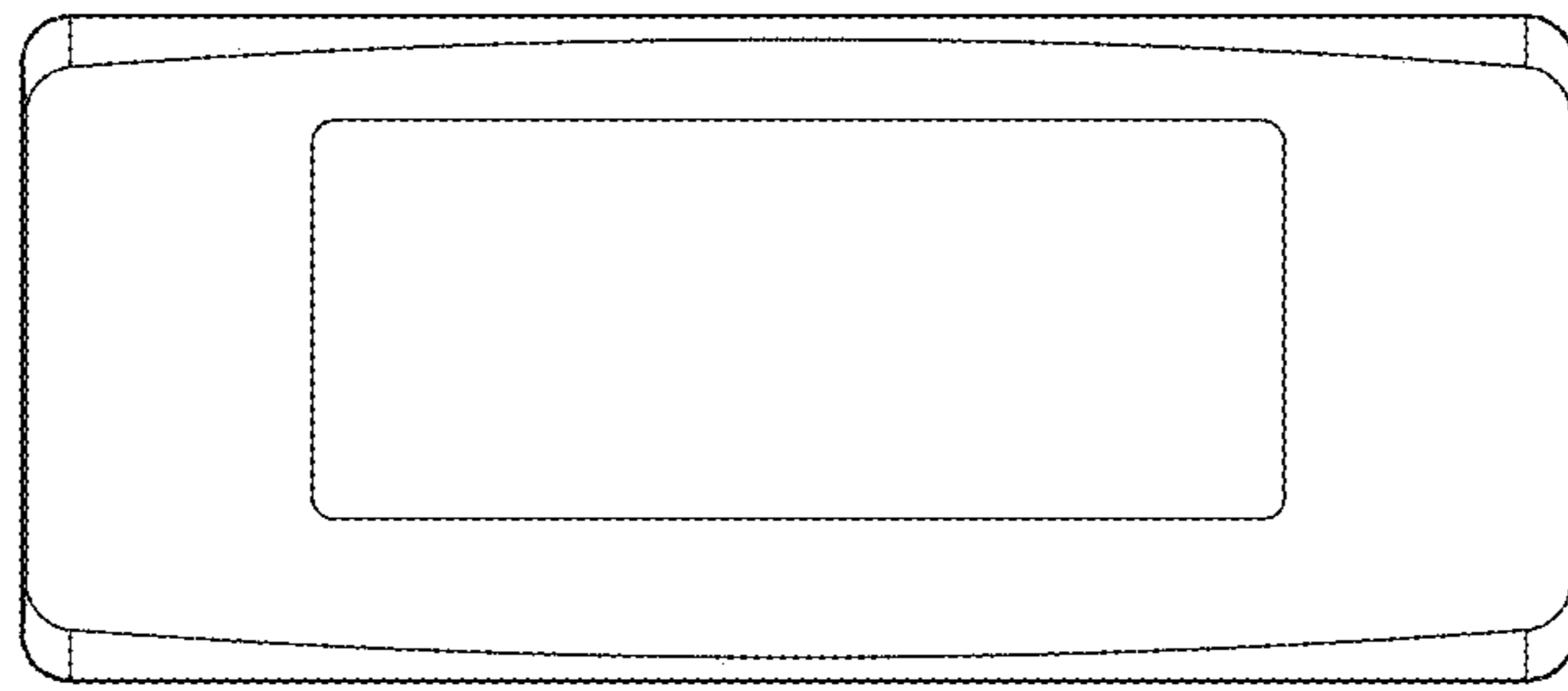


Fig. 2

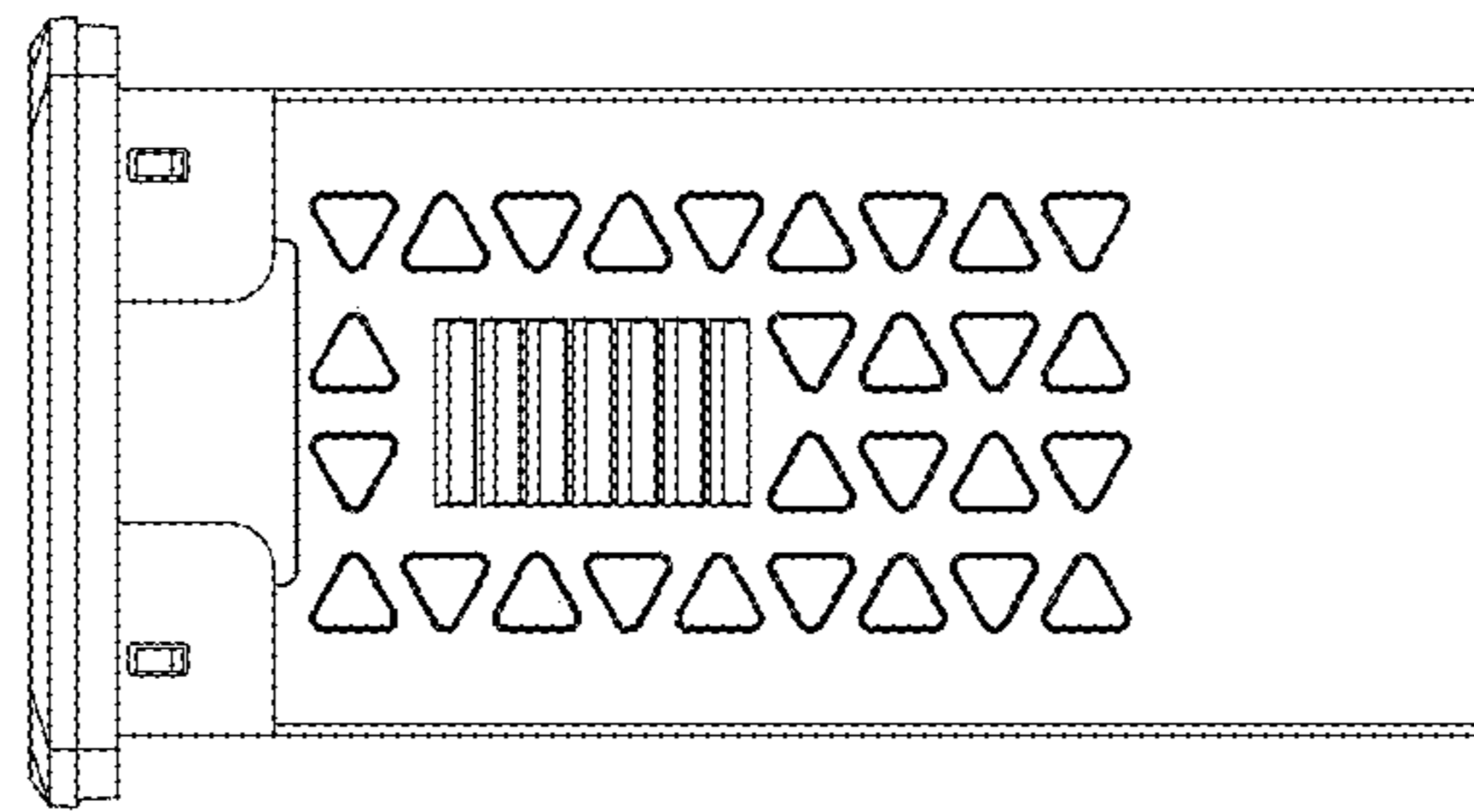


Fig. 3

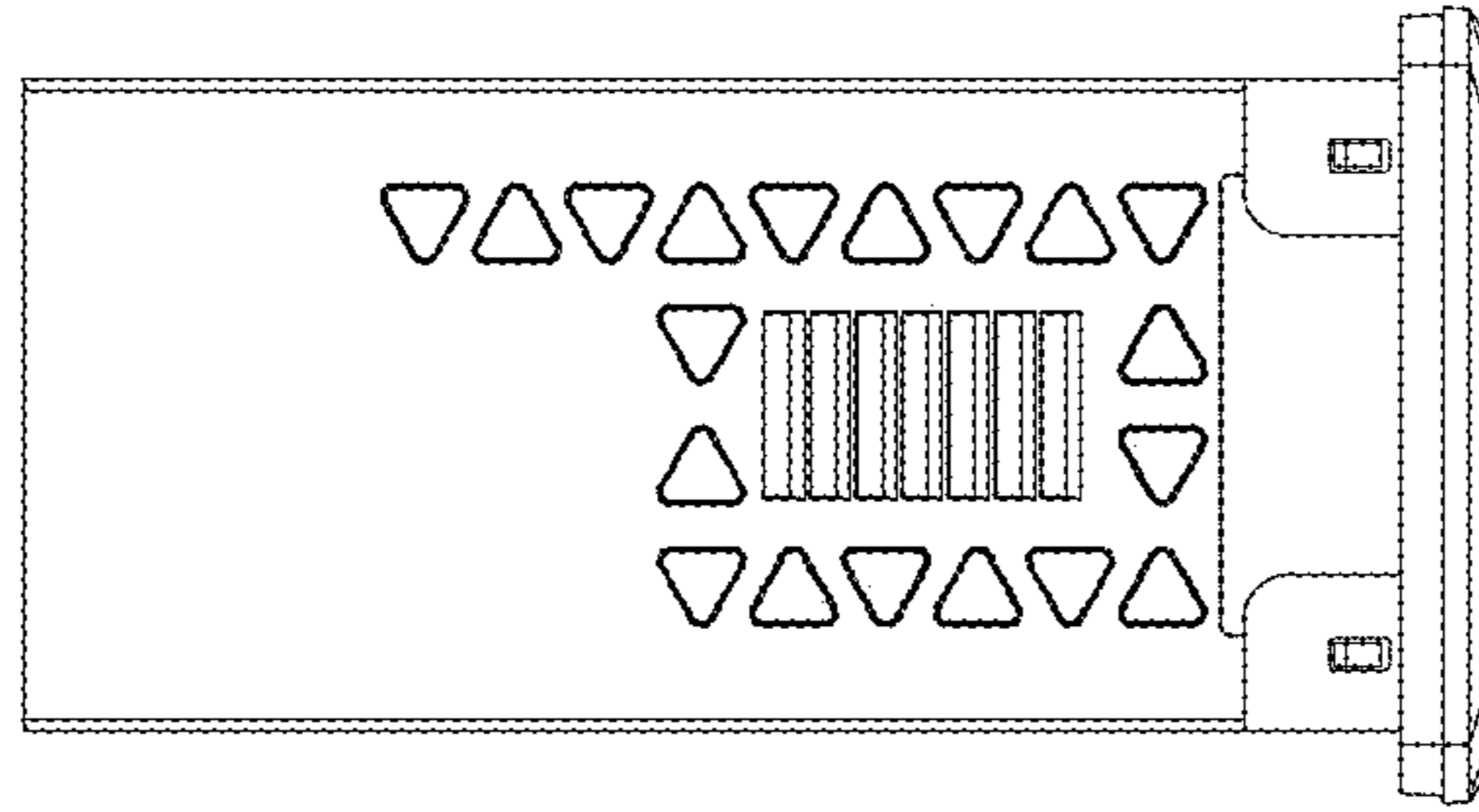


Fig. 4

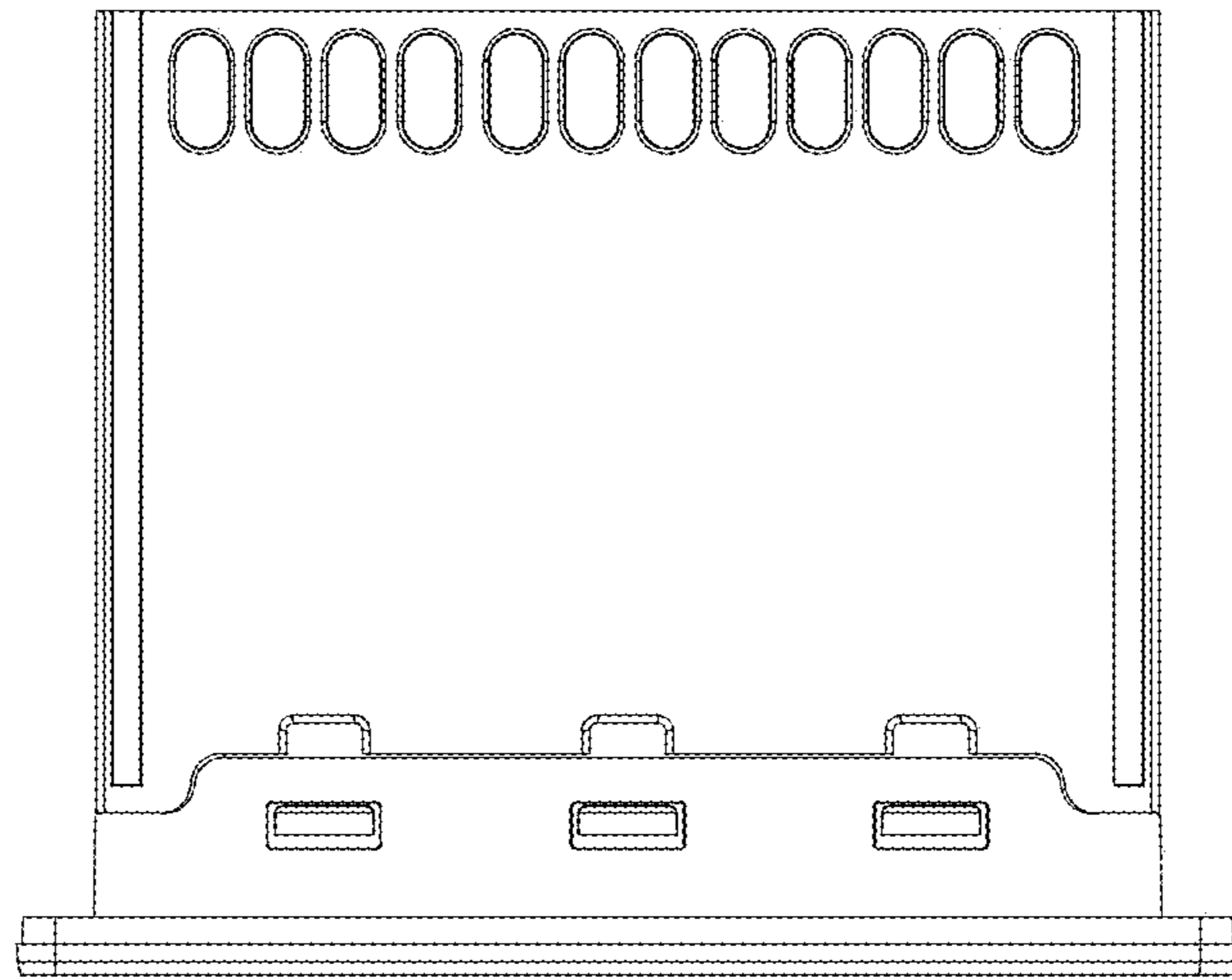


Fig. 5