



US00D934703S

(12) **United States Design Patent** (10) **Patent No.:** **US D934,703 S**
Thornberry (45) **Date of Patent:** **** Nov. 2, 2021**

(54) **RADON DETECTOR**

(71) Applicant: **Ultimo Global Holdings**, Wilmington, DE (US)

(72) Inventor: **Phillip Nathan Thornberry**, Carmel, IN (US)

(73) Assignee: **Ultimo Global Holdings LLC**, Wilmington, DE (US)

(**) Term: **15 Years**

(21) Appl. No.: **29/706,770**

(22) Filed: **Sep. 24, 2019**

(51) **LOC (13) Cl.** **10-04**

(52) **U.S. Cl.**
USPC **D10/47**

(58) **Field of Classification Search**
USPC D10/47
CPC .. G01T 1/78; G01T 1/85; G08B 21/12; G01N 2021/8466; G01J 1/42; G01J 1/4204; G01J 1/4209; G01J 1/4212; G01J 1/4219; G01J 1/4223; G01J 1/4228; G01J 2001/4266; G01J 2001/4271; G01J 2001/4276; G01J 2001/428; G01J 2001/4285

See application file for complete search history.

(56) **References Cited**

U.S. PATENT DOCUMENTS

D332,057 S * 12/1992 Pineau D10/47

* cited by examiner

Primary Examiner — Antoine Duval Davis

(74) *Attorney, Agent, or Firm* — Woodard Emhardt Henry Reeves & Wagner LLP

(57) **CLAIM**

The ornamental design for a radon detector, as shown and described.

DESCRIPTION

FIG. 1 a front, right, perspective view showing my new design;

FIG. 2 is a front side view thereof;

FIG. 3 is a back side view thereof;

FIG. 4 is a right side view thereof;

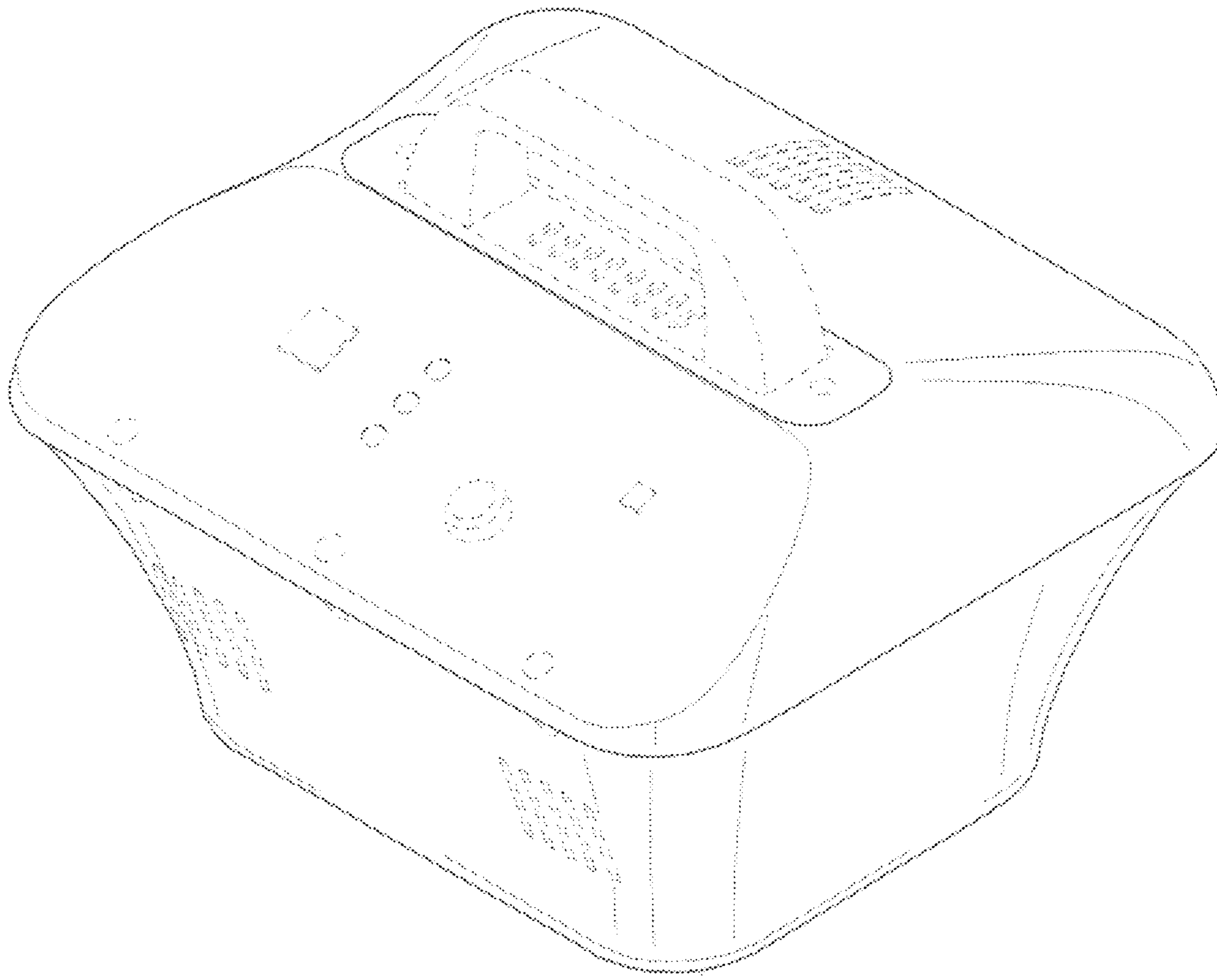
FIG. 5 is a left side view thereof; and

FIG. 6 is a top view thereof; and,

FIG. 7 is a bottom view thereof.

The broken lines illustrate portions of the radon detector and form no pan of the claimed design.

1 Claim, 7 Drawing Sheets



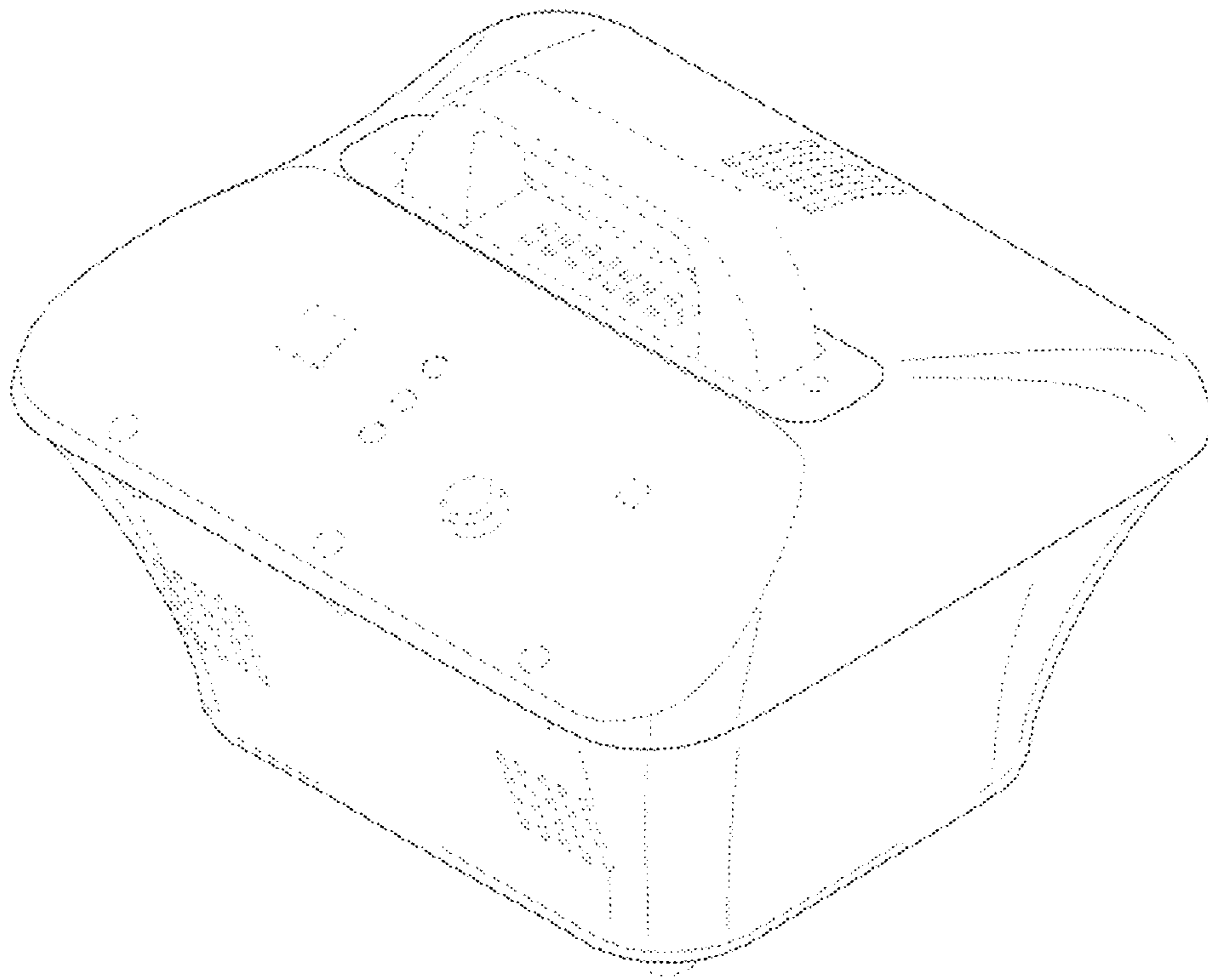


Fig. 1

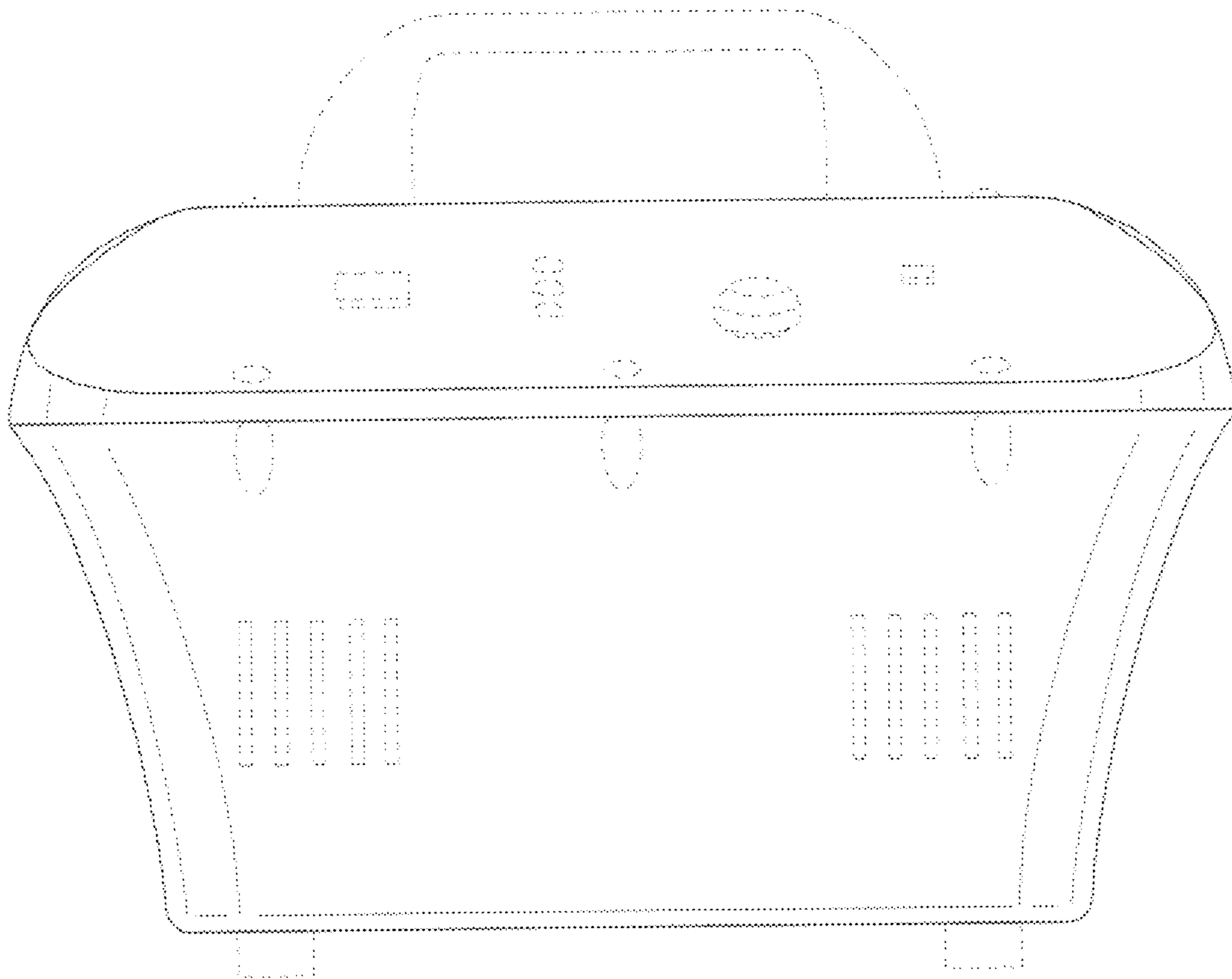


Fig. 2

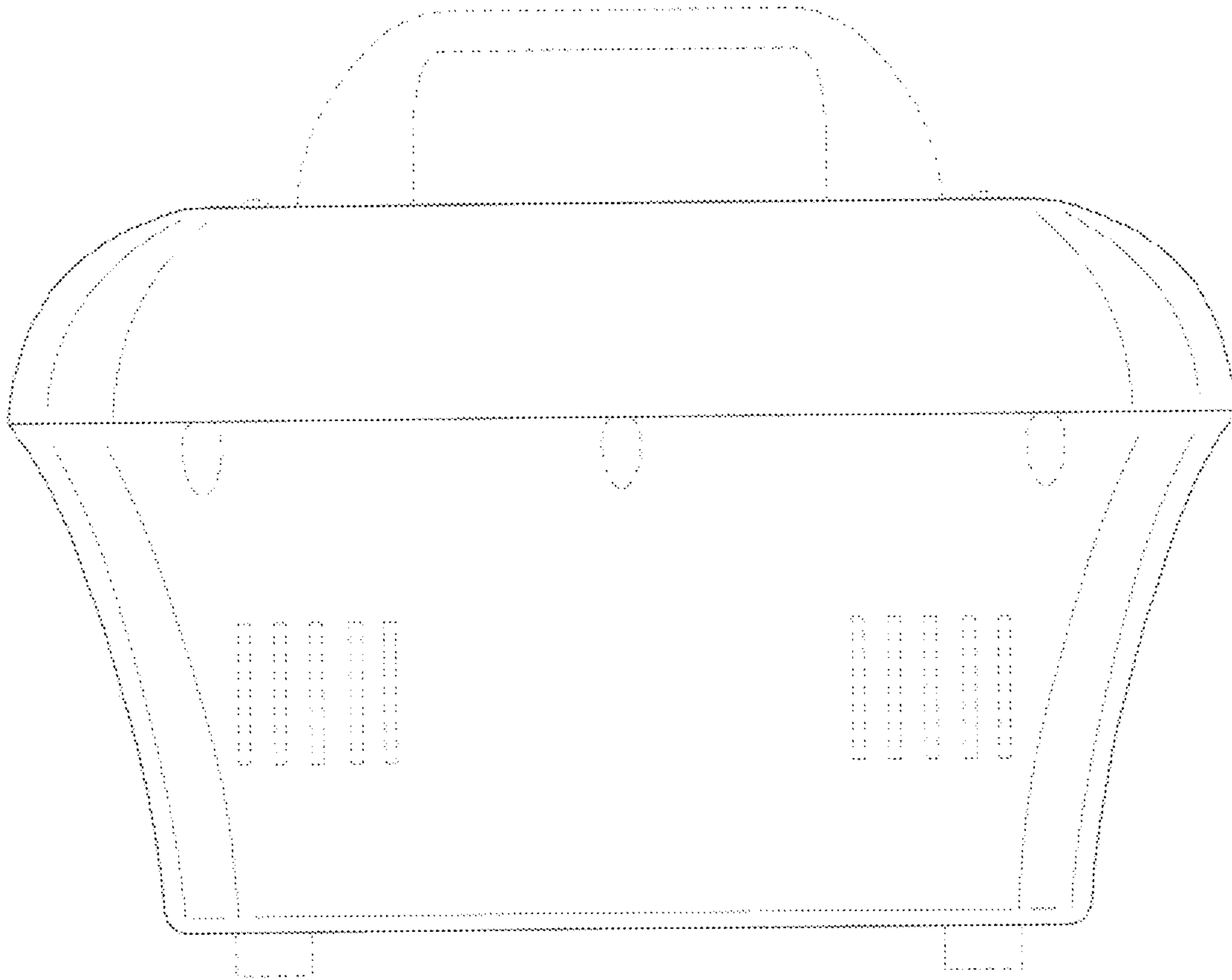


Fig. 3

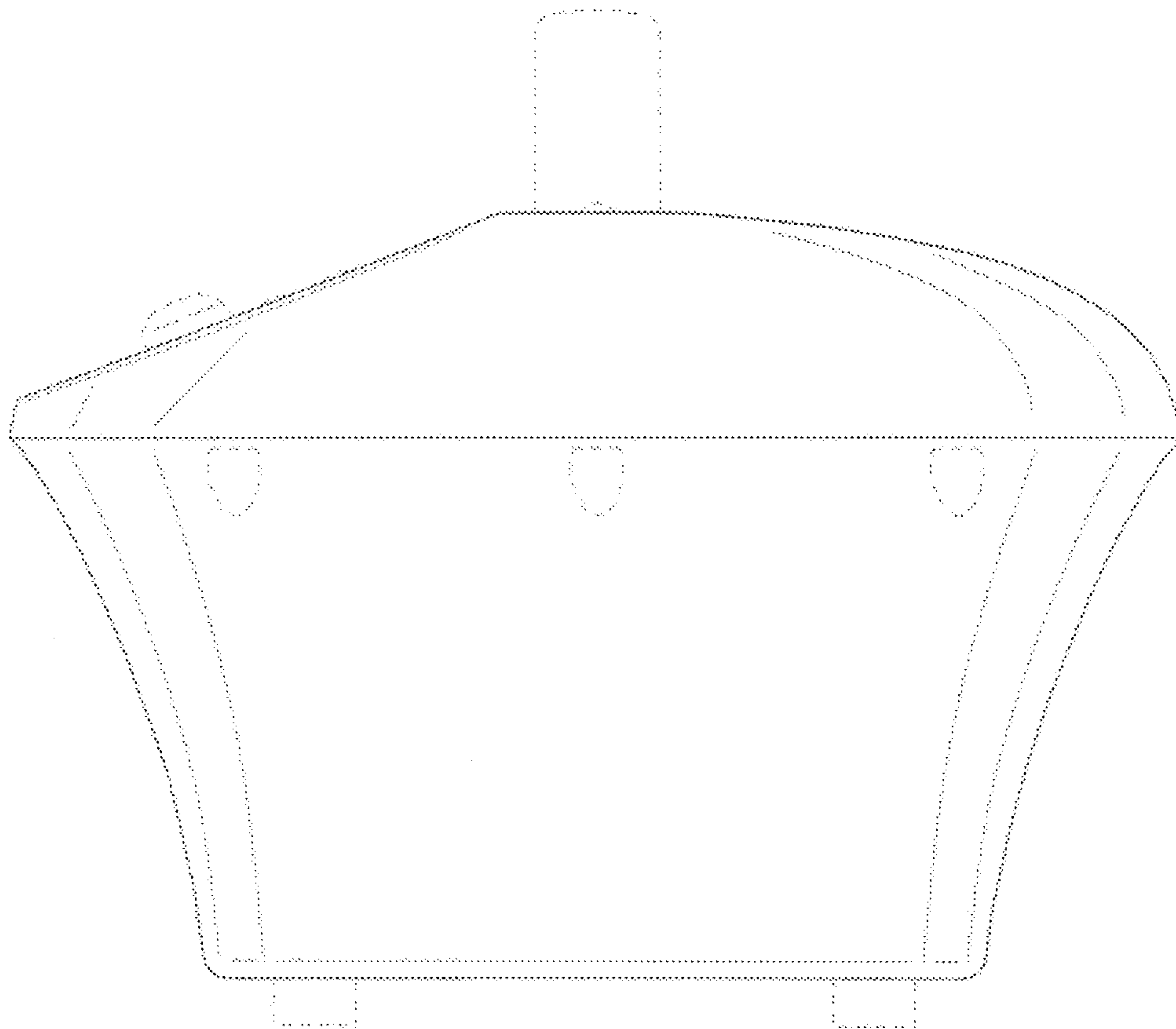


Fig. 4

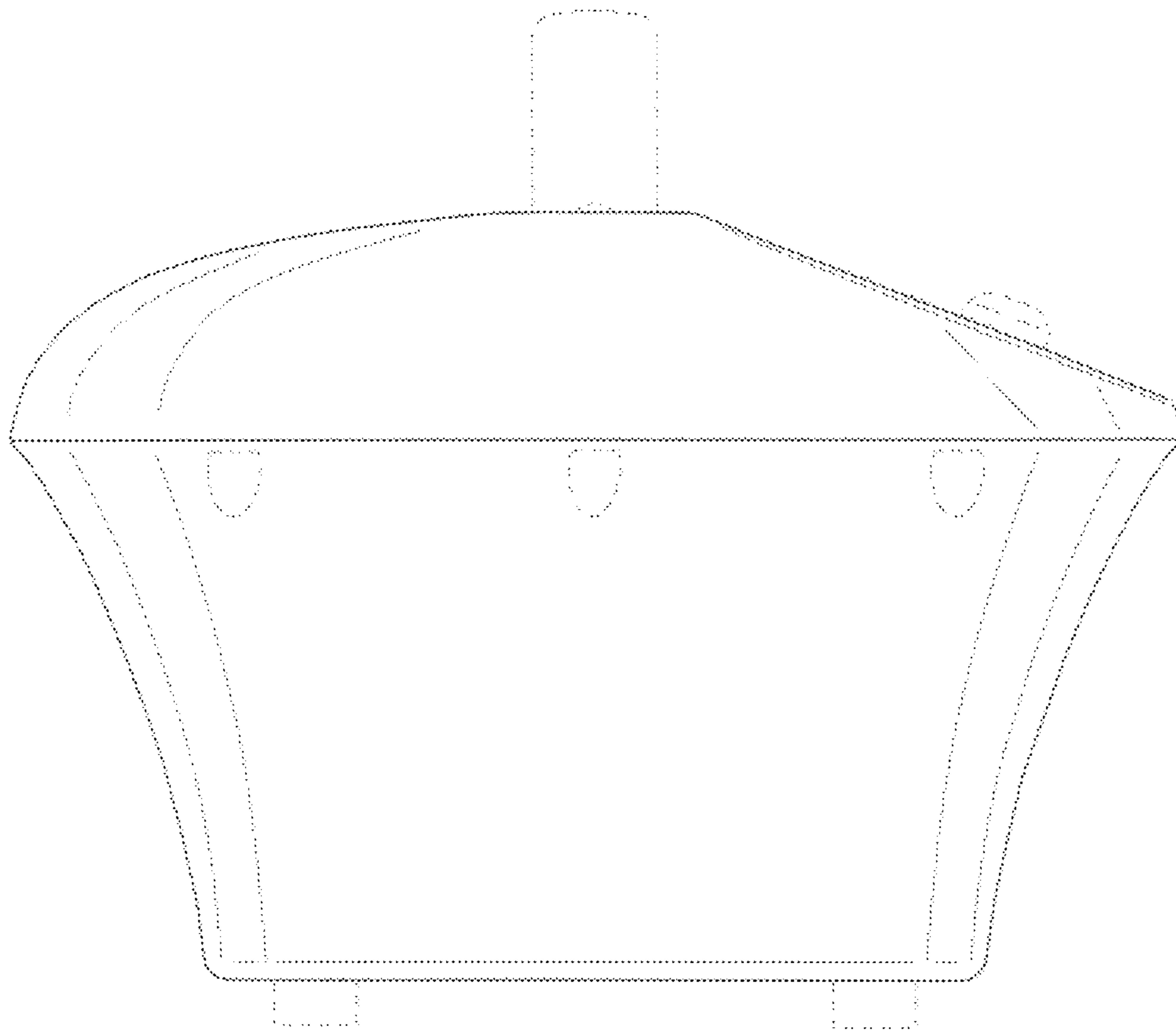


Fig. 5

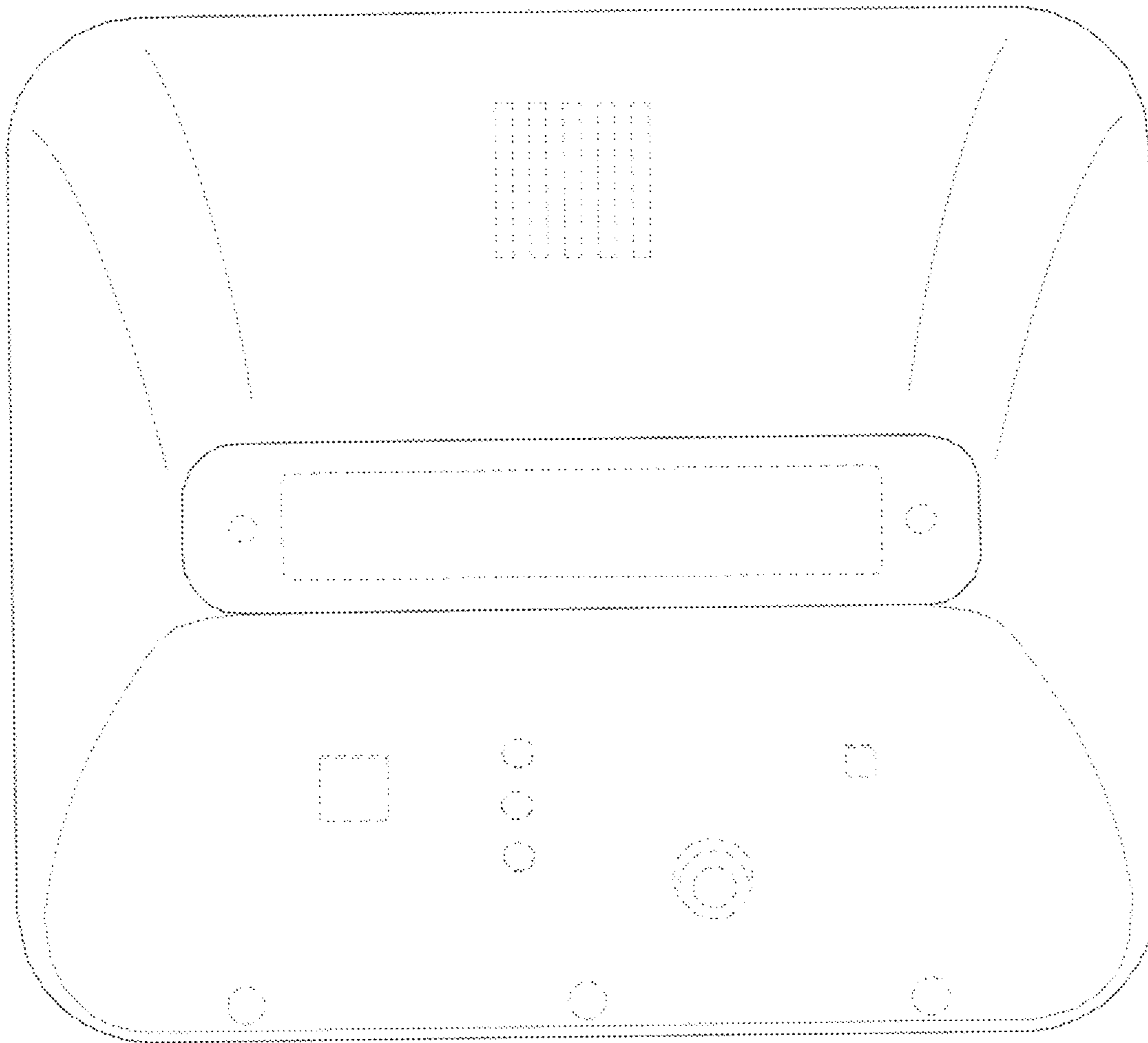


Fig. 6

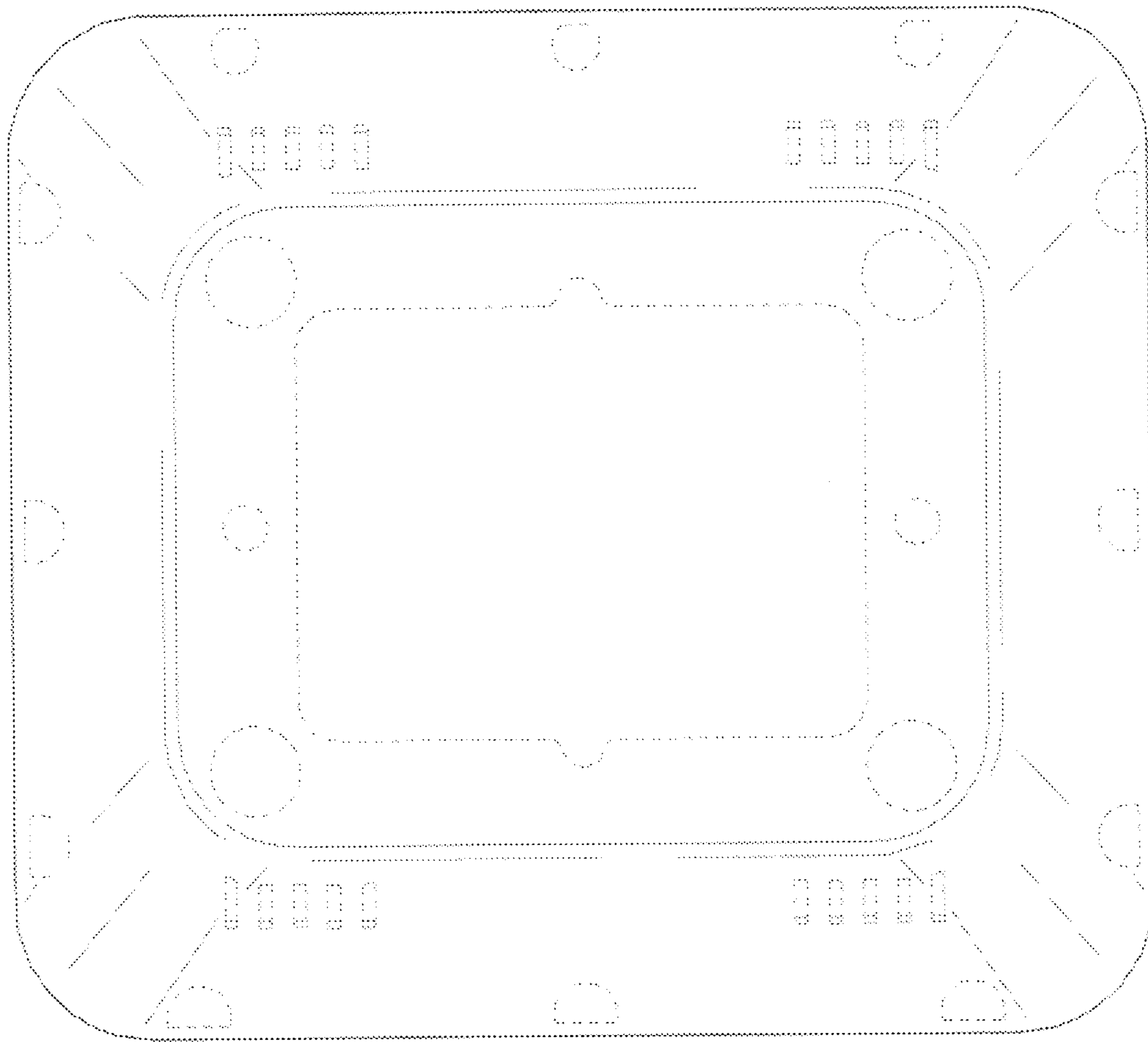


Fig. 7