



US00D934700S

(12) **United States Design Patent** (10) **Patent No.:** **US D934,700 S**
Garsaud (45) **Date of Patent:** **** Nov. 2, 2021**

(54) **WATCH CASE**

(71) Applicant: **Harry Winston SA**, Plan-les-Ouates (CH)

(72) Inventor: **Sandra Garsaud**, Ville-la-Grand (FR)

(73) Assignee: **Harry Winston SA**, Plan-les-Ouates (CH)

(**) Term: **15 Years**

(21) Appl. No.: **29/730,630**

(22) Filed: **Apr. 7, 2020**

(30) **Foreign Application Priority Data**

Oct. 8, 2019 (WO) DM/204276

(51) **LOC (13) Cl.** **10-02**

(52) **U.S. Cl.**
USPC **D10/38**

(58) **Field of Classification Search**
USPC D10/30-39, 122-126, 127; D11/3, 5
CPC G04B 19/00; G04B 19/04; G04B 19/042;
G04B 19/046; G04B 19/048; G04B
19/06; G04B 19/065; G04B 19/08; G04B
19/082; G04B 19/085; G04B 19/087;
G04B 19/10; G04B 19/103; G04B
19/106; G04B 19/12; G04B 19/18; G04B
19/22; G04B 19/26; G04B 19/262; G04B
19/264; G04B 19/266; G04B 19/268;
G04B 45/0061; G04B 37/1486; G04C
17/00; G04C 19/00; G04C 19/02; G04C
19/04; G04G 17/00; G04G 9/00; G07C
1/28; G09B 19/12

See application file for complete search history.

(56) **References Cited**

U.S. PATENT DOCUMENTS

D166,186	S	*	3/1952	Granat	D10/128
D250,752	S	*	1/1979	Perrin	D10/39
4,466,745	A	*	8/1984	Eichmann	G04B 37/1486 368/281
D443,526	S	*	6/2001	Wunderman	D10/30
D444,076	S	*	6/2001	Repossi	D10/32
D572,607	S	*	7/2008	Emch Ducommun	D10/32
D631,762	S	*	2/2011	Vollet	D10/32
D715,659	S	*	10/2014	Graff	D10/34
D727,178	S	*	4/2015	Abdourahim	D10/39
D743,275	S	*	11/2015	Riviere	D10/32
D766,745	S	*	9/2016	Abdourahim	D10/30
D775,535	S	*	1/2017	Handa	D10/32
D800,581	S	*	10/2017	Valzan	D10/30
D851,503	S	*	6/2019	Dominguez	D10/30
D897,223	S	*	9/2020	Dominguez	D10/32
D913,115	S	*	3/2021	Dominguez	D10/32

* cited by examiner

Primary Examiner — Katherine Glennon

(74) *Attorney, Agent, or Firm* — Blank Rome LLP

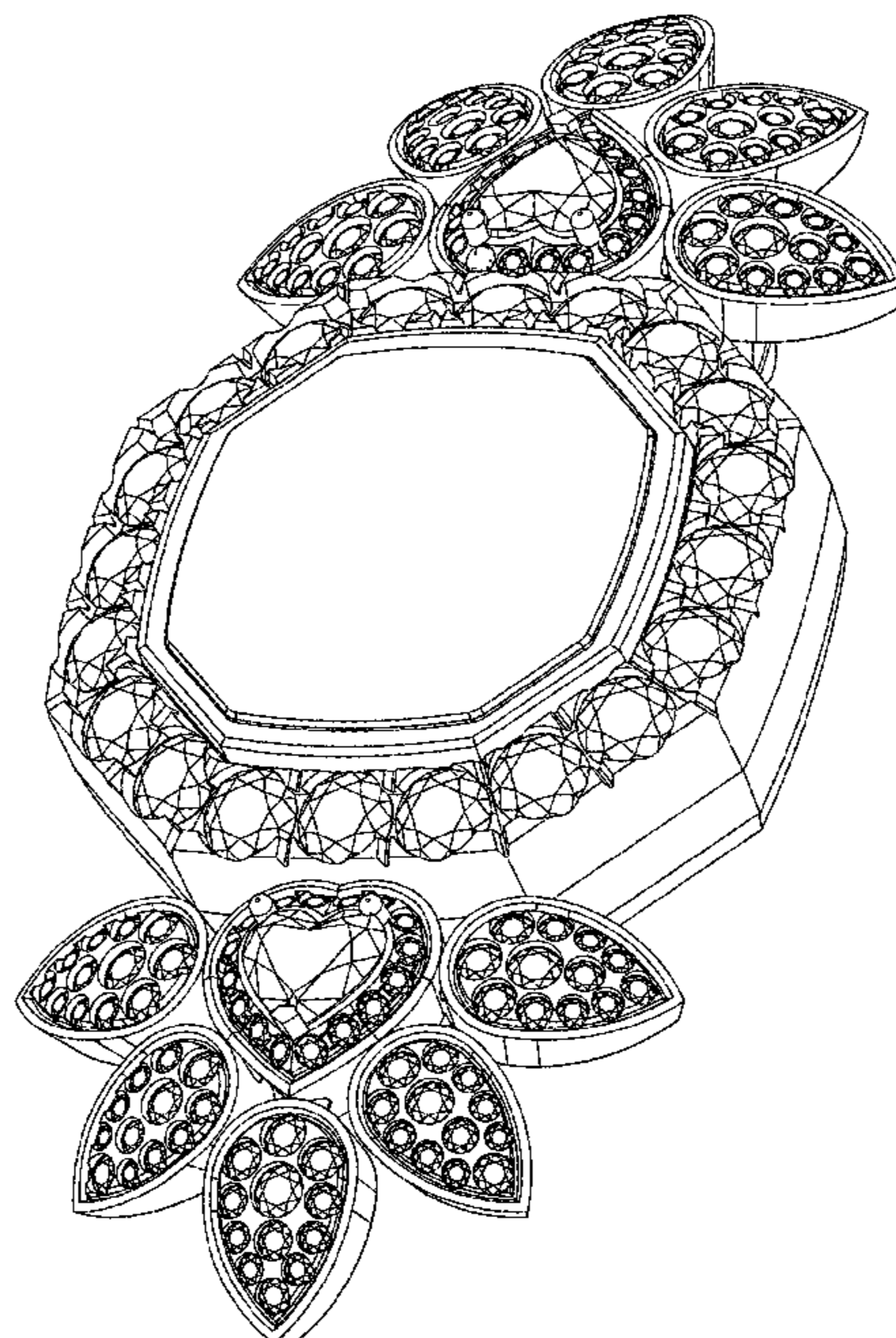
(57) **CLAIM**

The ornamental design for a watch case, as shown and described.

DESCRIPTION

FIG. 1 is a front view of a watch case of the present design;
FIG. 2 is a rear view thereof;
FIG. 3 is a right side view thereof;
FIG. 4 is a left side view thereof;
FIG. 5 is a bottom view thereof;
FIG. 6 is a top view thereof; and
FIG. 7 is a front bottom perspective view thereof; and,
FIG. 8 is a rear bottom perspective view thereof.

1 Claim, 8 Drawing Sheets



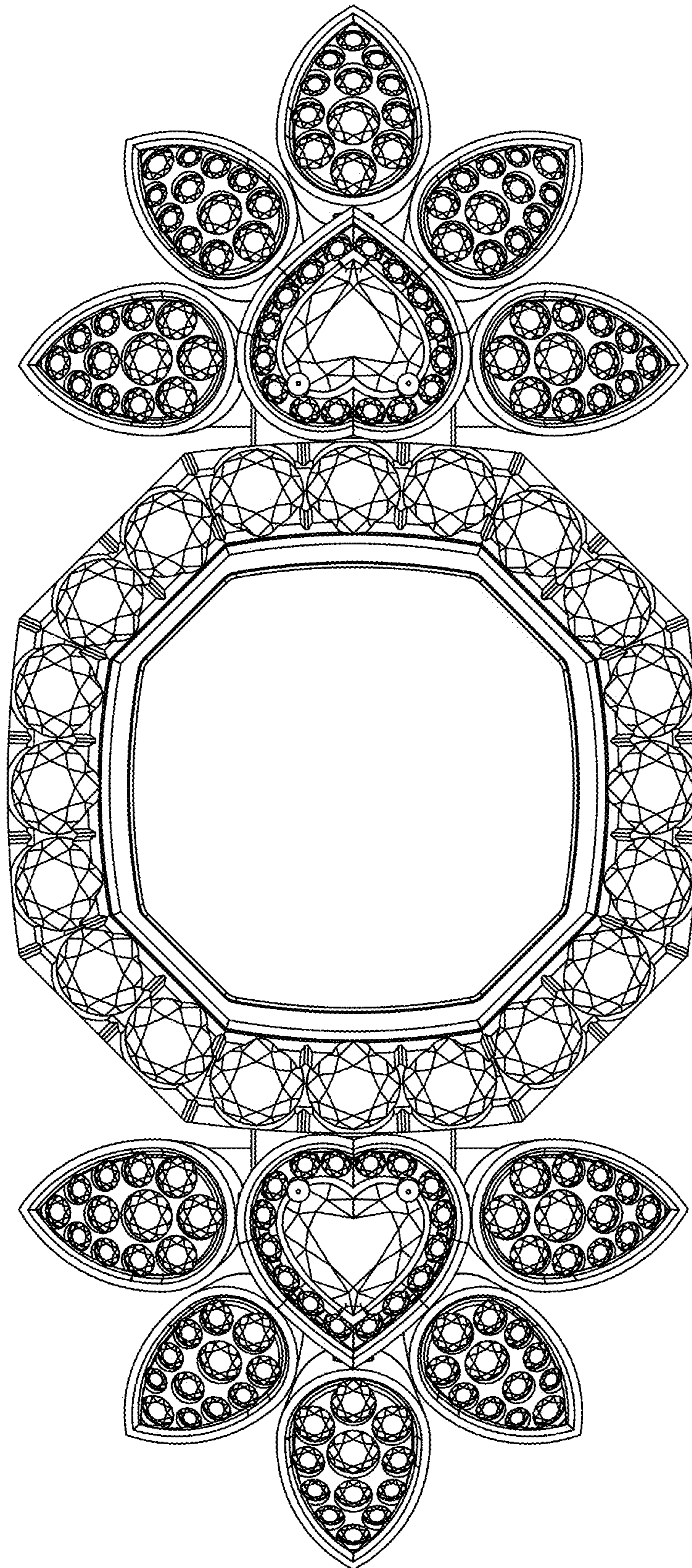


FIG. 1

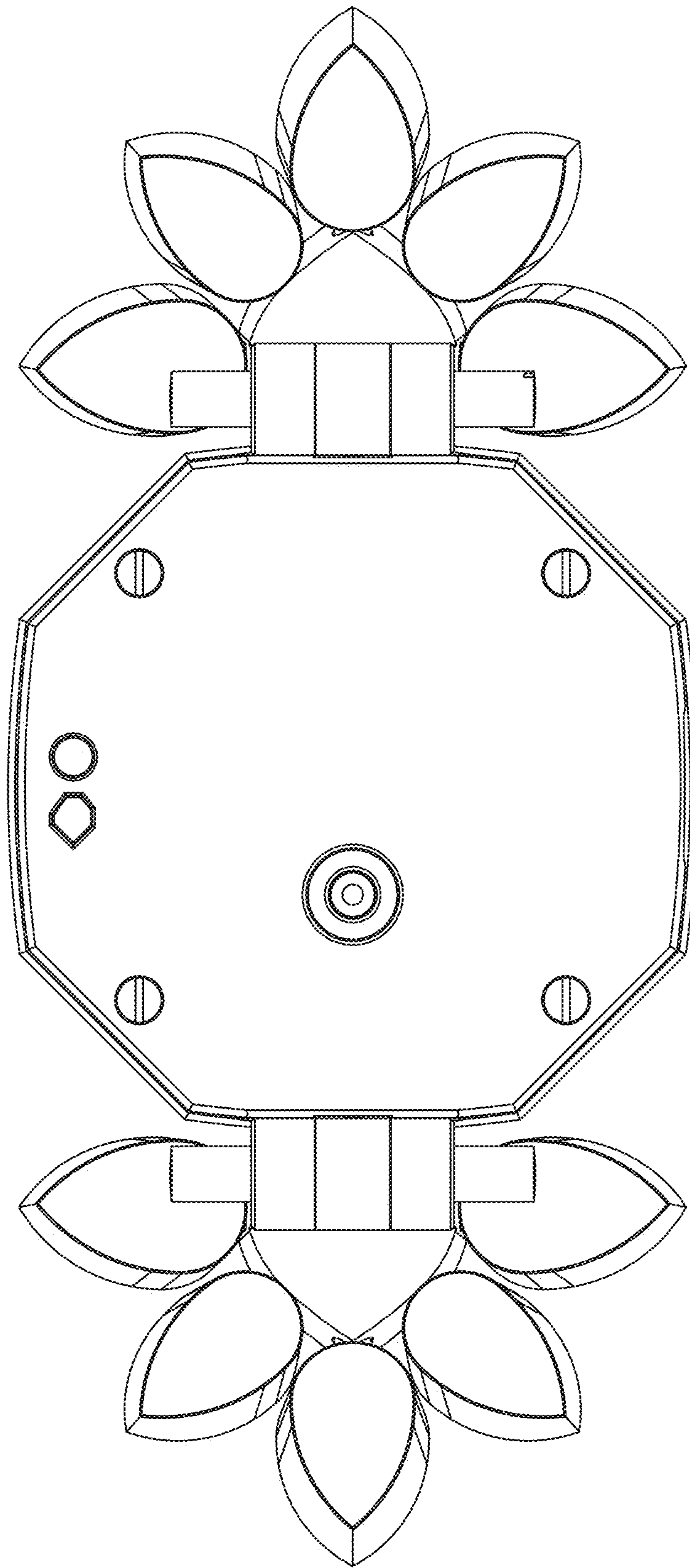


FIG. 2

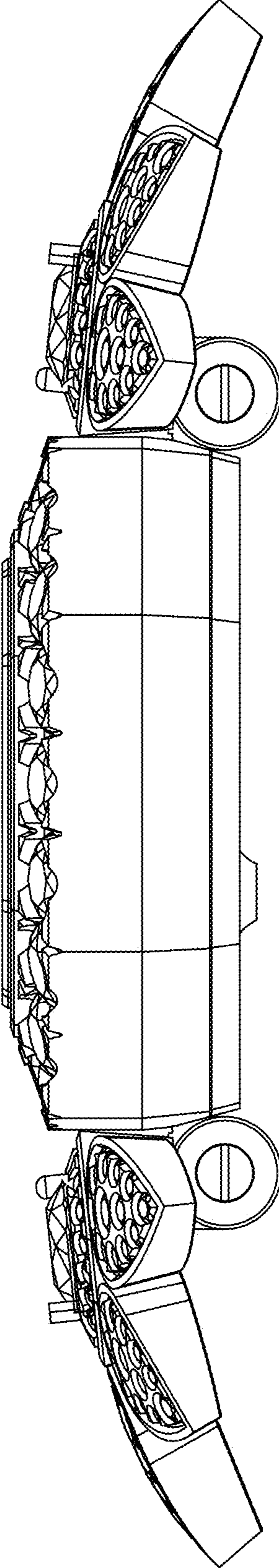


FIG. 3

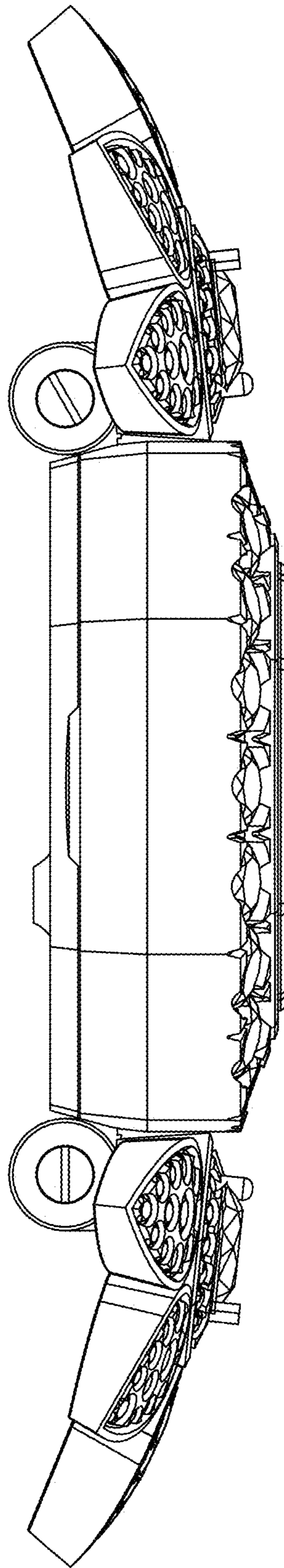


FIG. 4

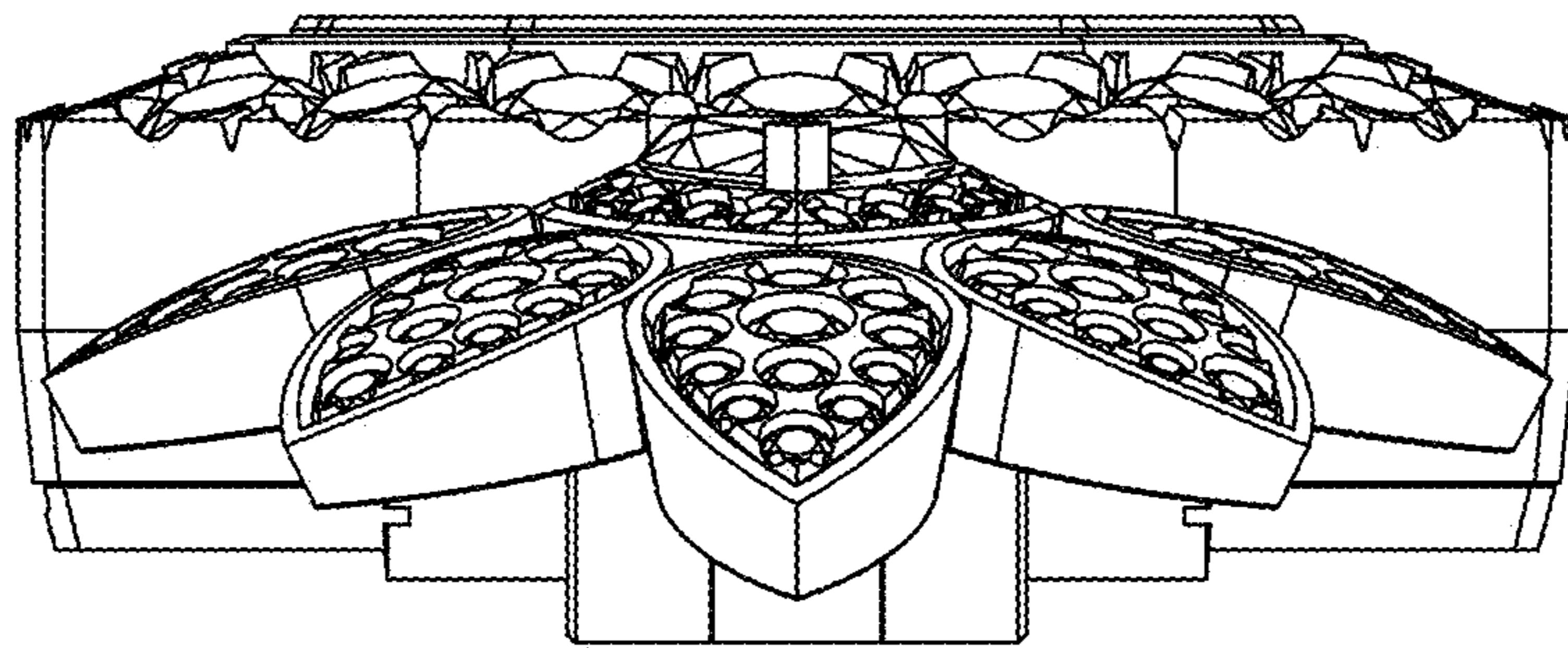


FIG. 5

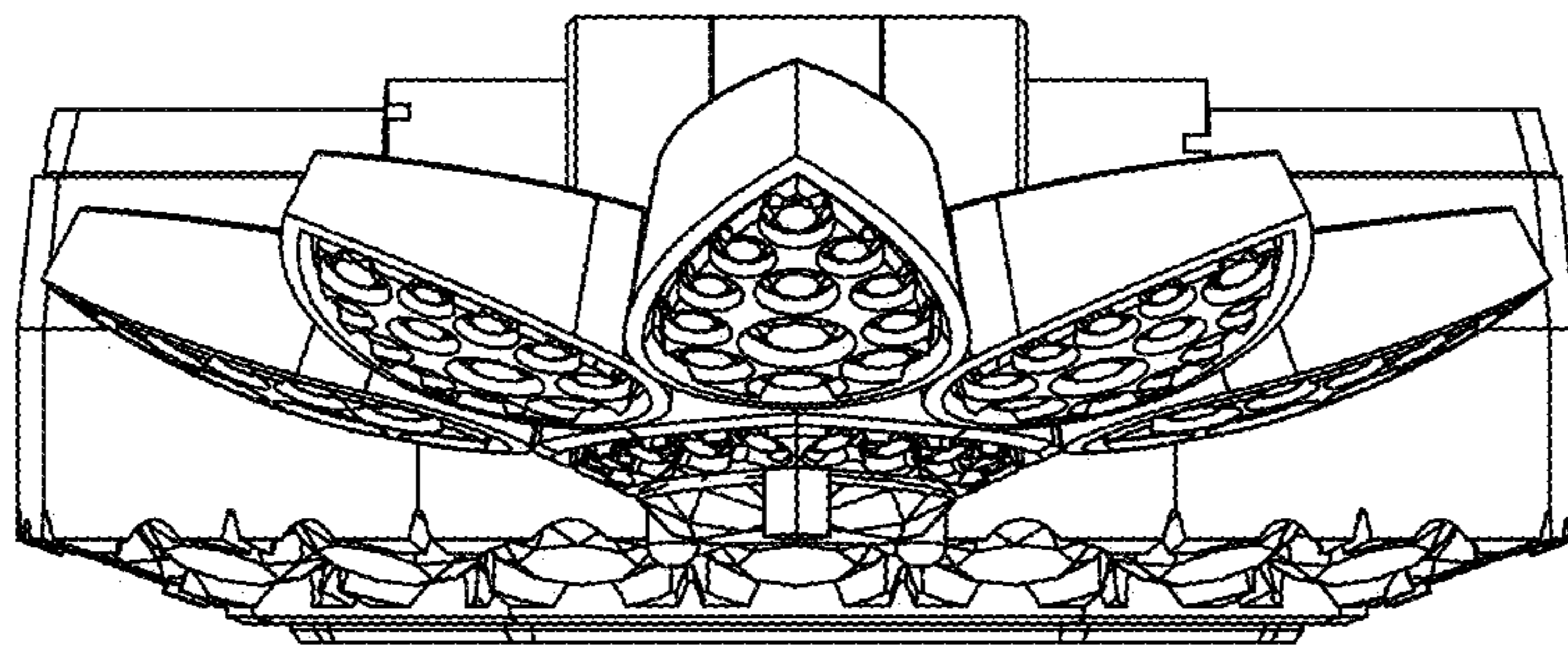


FIG. 6

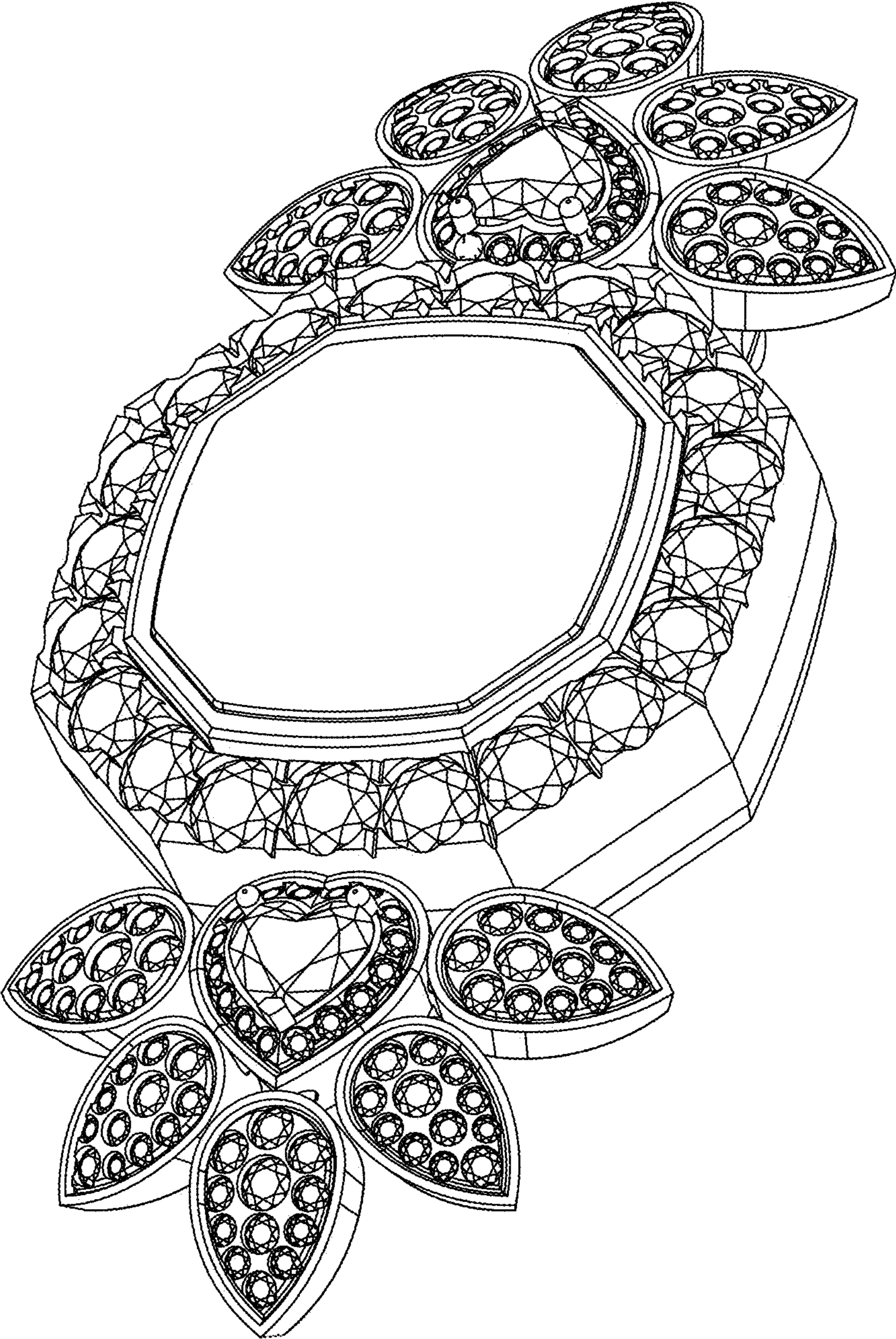


FIG. 7

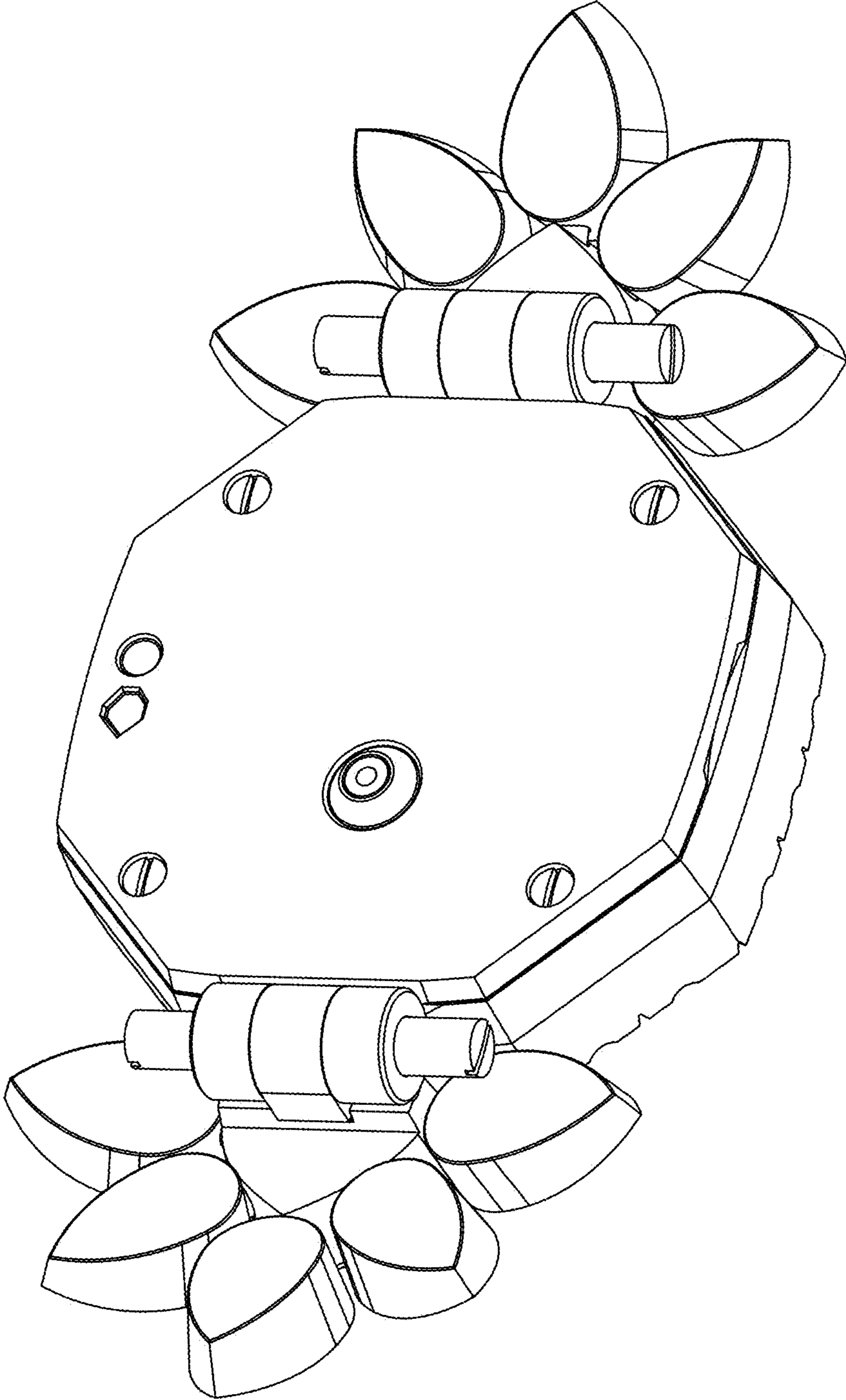


FIG. 8