



US00D934695S

(12) **United States Design Patent**
Johnson

(10) **Patent No.:** **US D934,695 S**

(45) **Date of Patent:** **** Nov. 2, 2021**

(54) **DISPENSER FOR HAND SANITIZER**

(71) Applicant: **David H Johnson**, Providence, RI (US)

(72) Inventor: **David H Johnson**, Providence, RI (US)

(**) Term: **15 Years**

(21) Appl. No.: **29/731,057**

(22) Filed: **Apr. 10, 2020**

(51) **LOC (13) Cl.** **09-05**

(52) **U.S. Cl.**
USPC **D9/702**

(58) **Field of Classification Search**

USPC D9/702-714, 443, 447, 499, 516-517, D9/523, 524, 526, 528, 530, 719, 572, D9/520, 521, 529; D24/118, 207, 108, D24/169, 216, 117, 115; 383/6, 9, 22, 383/96, 61.1, 80-81, 104, 901, 63, 203, 383/107, 119-120, 123, 61.2, 44; 220/675, 495.03, 200, 288; 215/381-385, 215/400, 328, 316, 200, 217; 206/484; D3/202, 203.1, 203.2; 428/34.3, 35.2; 222/92, 215, 95, 107; 604/408, 403, 415
CPC B65D 35/00; B65D 35/08; B65D 11/00; B65D 11/04; B65D 1/00; B65D 1/02; B65D 1/023; B65D 1/32; B65D 33/00; B65D 33/02; B65D 33/04; B65D 33/24; G01N 33/50; G01N 33/48; G01N 33/5005; A61L 2/10; A61L 2/24; A61L 2/22; A61L 2/26; A47K 5/12; A47K 5/1217; A45F 5/00; A45F 5/122
See application file for complete search history.

(56) **References Cited**

U.S. PATENT DOCUMENTS

D569,669 S * 5/2008 Nichols D6/545
D768,405 S * 10/2016 Patterson D6/545

D768,407 S * 10/2016 Patterson D6/545
D798,735 S * 10/2017 Dieringer D9/707
D861,494 S * 10/2019 Hartung D9/702
10,842,899 B1 * 11/2020 Alfattani B05B 11/0097
10,952,568 B2 * 3/2021 Matthews A47K 5/1201
D916,480 S * 4/2021 Henderson D6/512

* cited by examiner

Primary Examiner — Abraham Bahta

(74) *Attorney, Agent, or Firm* — Keeley DeAngelo LLP;
W Scott Keeley

(57) **CLAIM**

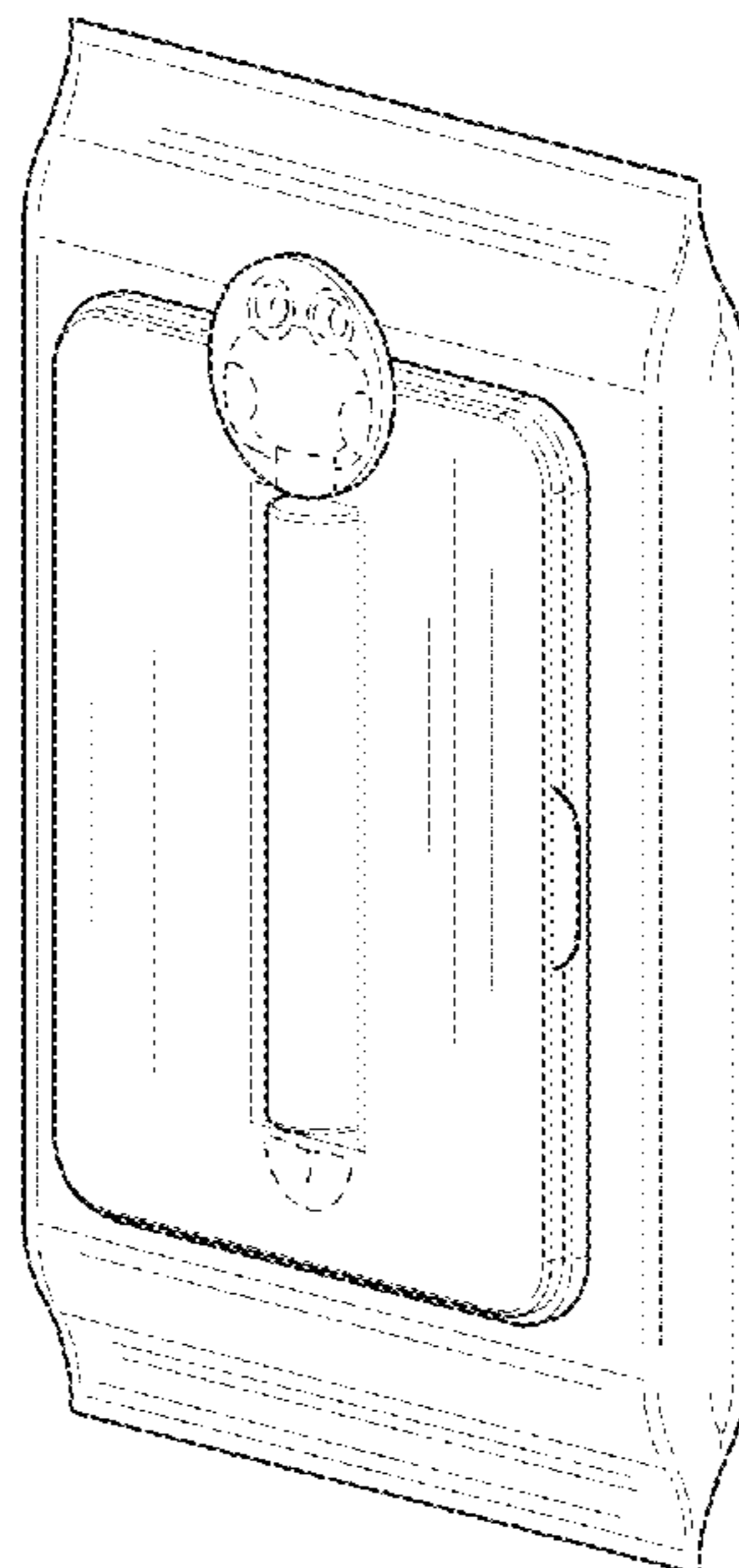
The ornamental design for a dispenser for hand sanitizer, as shown and described.

DESCRIPTION

FIG. 1 is a front-perspective view of a dispenser for hand sanitizer shown worn by a person to show context; FIG. 2 is a front perspective view of the present embodiment; FIG. 3 is a front perspective view of the present embodiment in an open position; FIG. 4 is a front view of the present embodiment; FIG. 5 is a rear view thereof; FIG. 6 is a right view thereof; FIG. 7 is a left view thereof; FIG. 8 is a top view thereof; and, FIG. 9 is a bottom view thereof.

The broken lines showing portions of the dispenser for hand sanitizer and the environment in FIGS. 1, 2 and 4 are included for the purpose of illustrating and form no part of the claimed design.

1 Claim, 8 Drawing Sheets



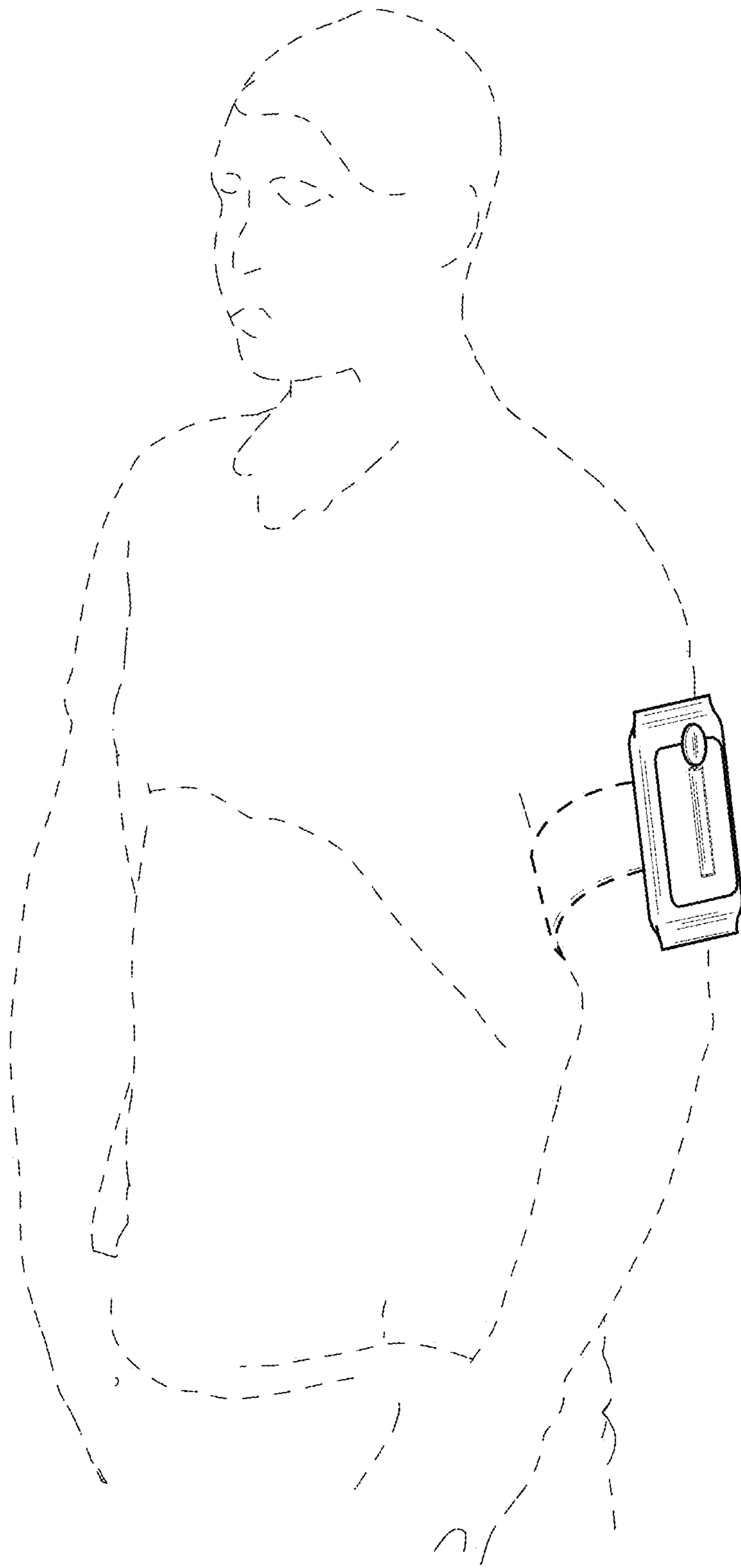


FIG. 1

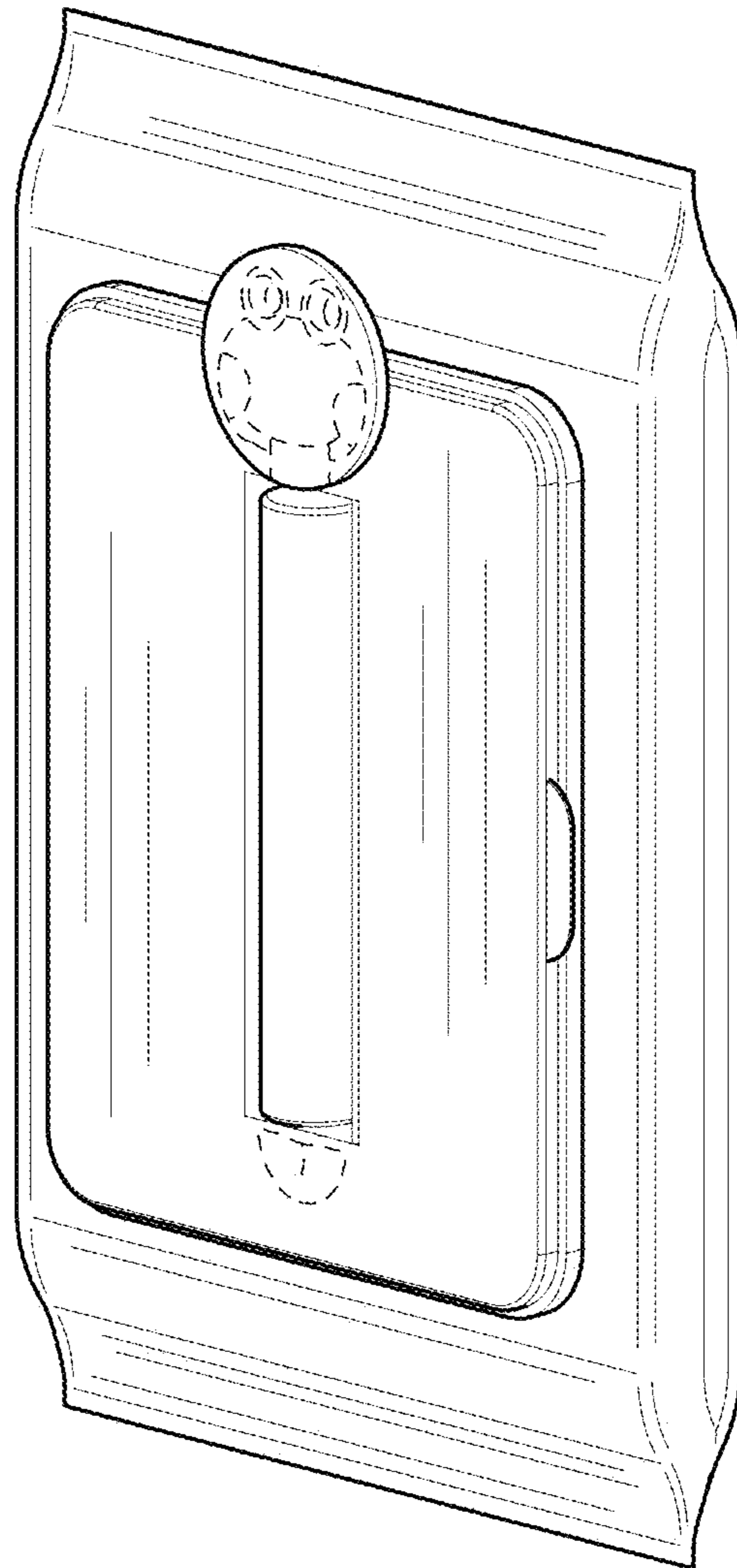


FIG. 2

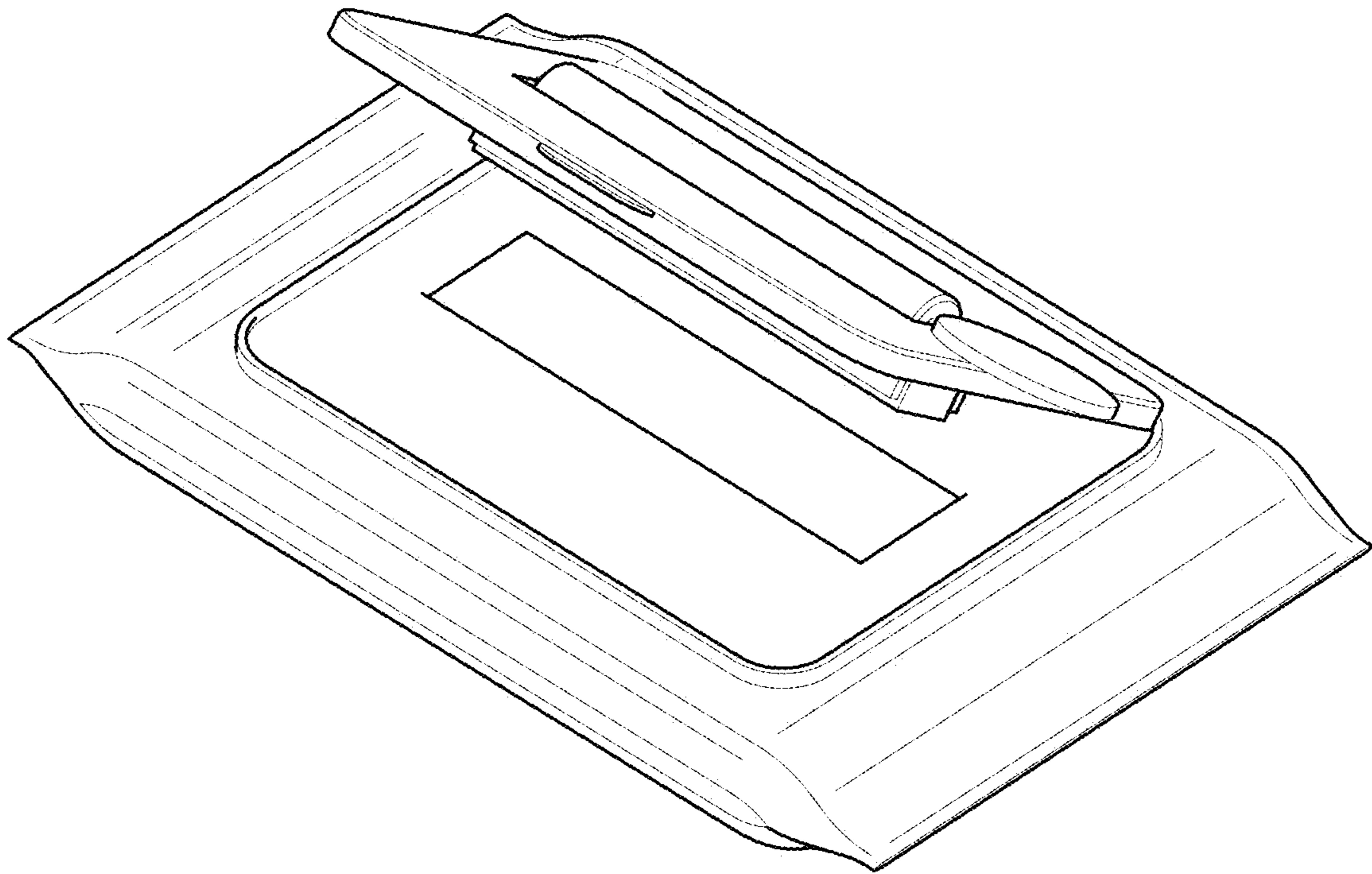


FIG. 3

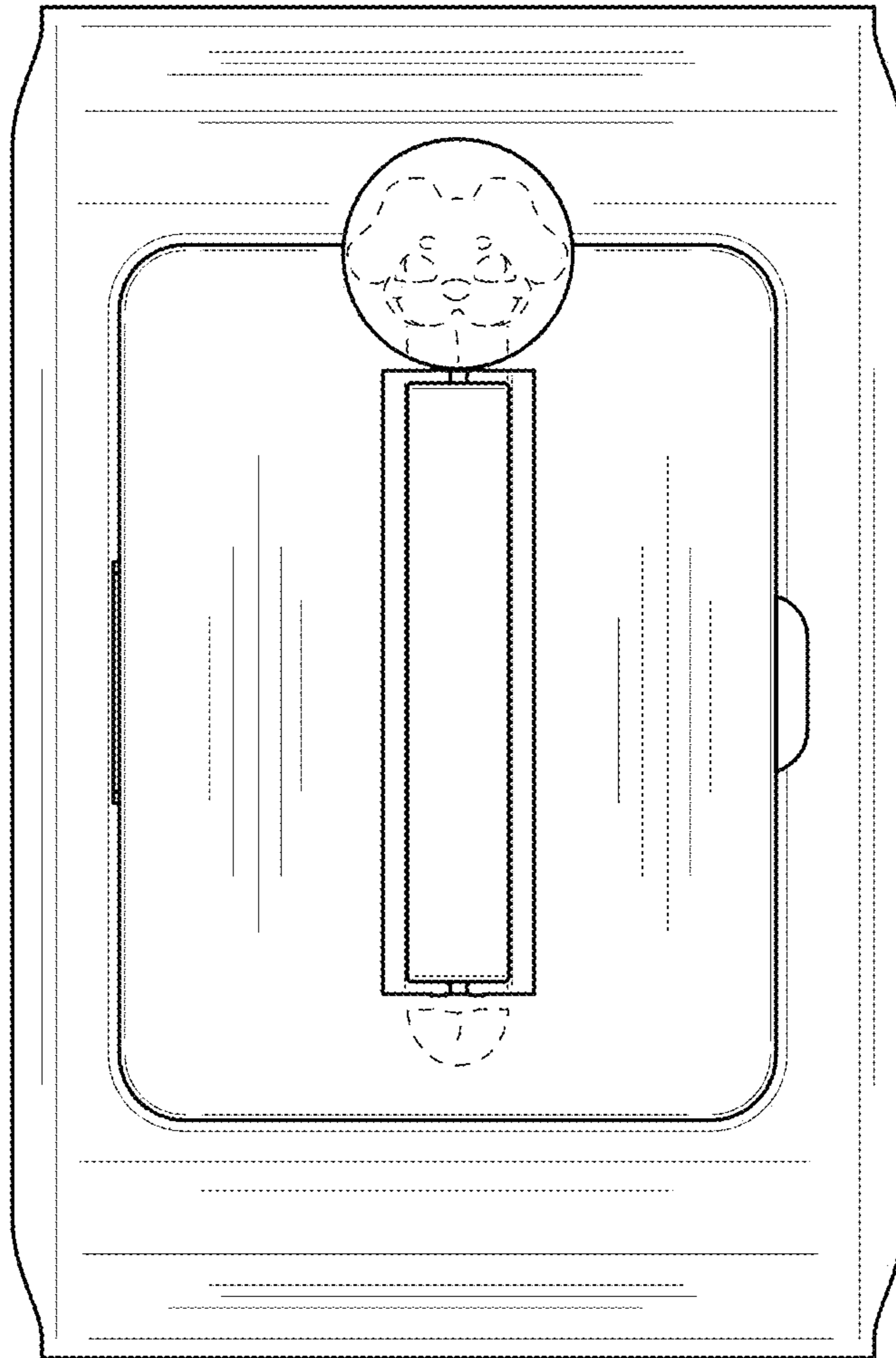


FIG. 4

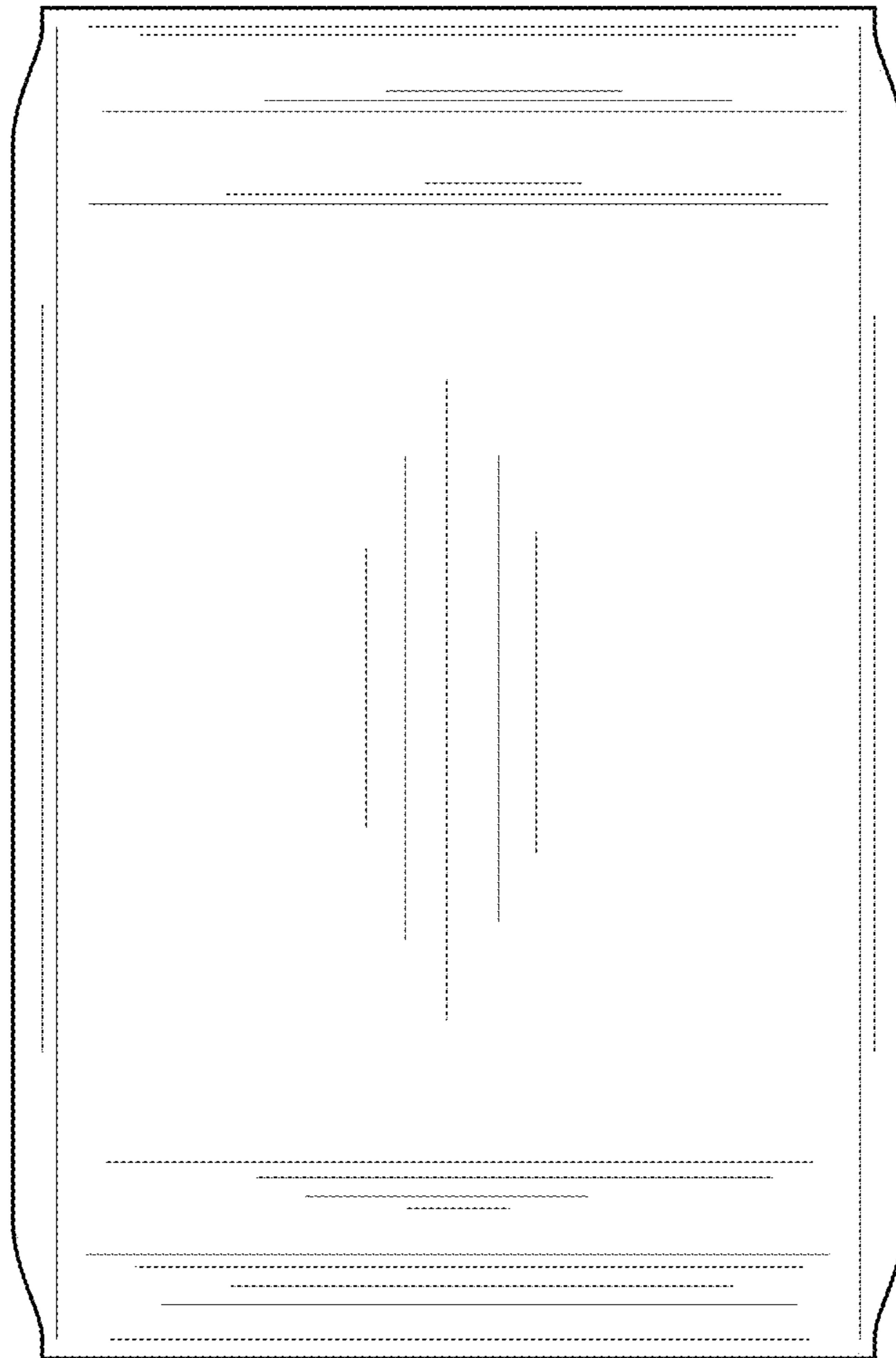


FIG. 5

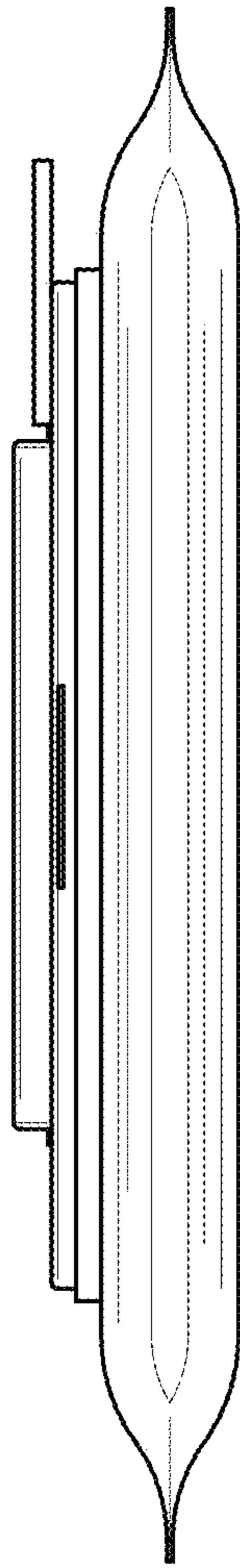


FIG. 6

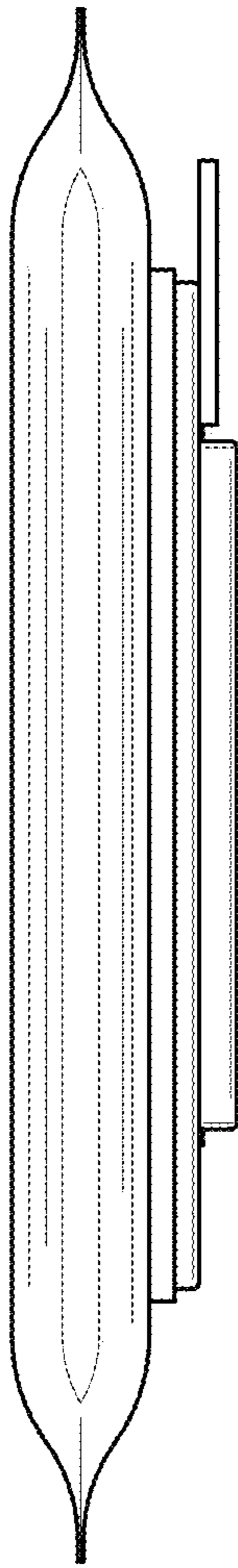


FIG. 7

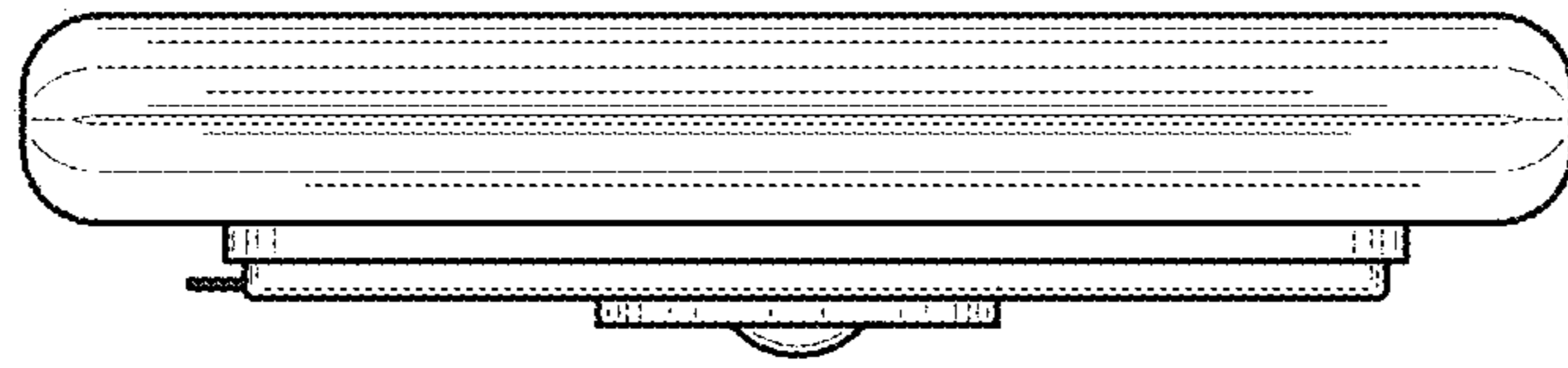


FIG. 8

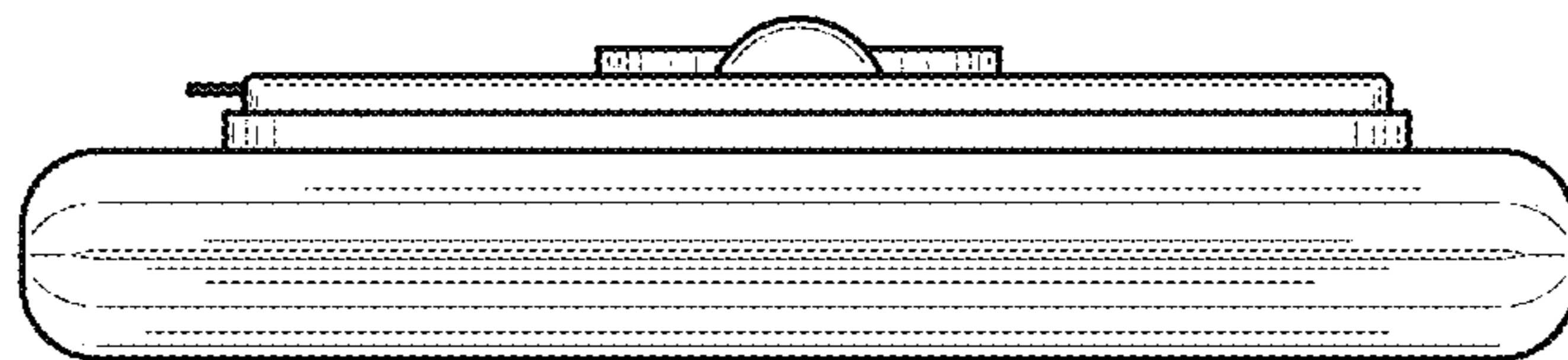


FIG. 9