



US00D934691S

(12) **United States Design Patent** (10) **Patent No.:** **US D934,691 S**
Cornehl et al. (45) **Date of Patent:** **** Nov. 2, 2021**

- (54) **BOTTLE**
- (71) Applicant: **By Quest LLC**, Millburn, NJ (US)
- (72) Inventors: **Ingrid Cornehl**, Morristown, NJ (US);
Sallie Reynolds Allen, Charleston, SC (US)
- (73) Assignee: **By Quest LLC**, Millburn, NJ (US)
- (**) Term: **15 Years**
- (21) Appl. No.: **29/716,760**
- (22) Filed: **Dec. 11, 2019**
- (51) **LOC (13) Cl.** **09-01**
- (52) **U.S. Cl.**
USPC **D9/516**
- (58) **Field of Classification Search**
USPC D9/428, 454, 500–505, 516, 529, 537,
D9/545, 549, 551, 573–575, 688, 738,
D9/767, 772, 538, 539, 540, 552, 560,
D9/544, 553, 628; D28/4, 8, 76, 78, 79,
D28/82, 91; D26/6, 22; D7/316, 598,
D7/603, 629, 597, 608
CPC B65D 7/04; B65D 1/165; B65D 45/24;
B65D 1/0246; B65D 1/0207; Y10S
220/906; B21D 51/2615; A47G 19/2255
See application file for complete search history.

- D86,680 S 4/1932 Mas
 - D95,260 S 4/1935 Key
 - D96,267 S 7/1935 Meyer
 - D97,178 S 10/1935 Clevenger
 - D99,434 S * 4/1936 Furest D9/553
 - D100,230 S * 6/1936 Steelman D9/545
 - D103,911 S 3/1937 Knox
 - D105,540 S * 8/1937 Smith D9/553
- (Continued)

FOREIGN PATENT DOCUMENTS

- CN 3512063 * 3/2006
- CN 3516409 * 4/2006
- CN 3590291 * 12/2006
- CN 302708339 * 1/2014
- CN 304897463 11/2018

OTHER PUBLICATIONS

Notice of Allowance dated Apr. 9, 2020, issued in connection with U.S. Appl. No. 29/716,759 (11 pages).
(Continued)

Primary Examiner — Michael C Stout
Assistant Examiner — Rani J Abdallah
(74) *Attorney, Agent, or Firm* — McCarter & English, LLP

(57) **CLAIM**

The ornamental design for a bottle, as shown and described.

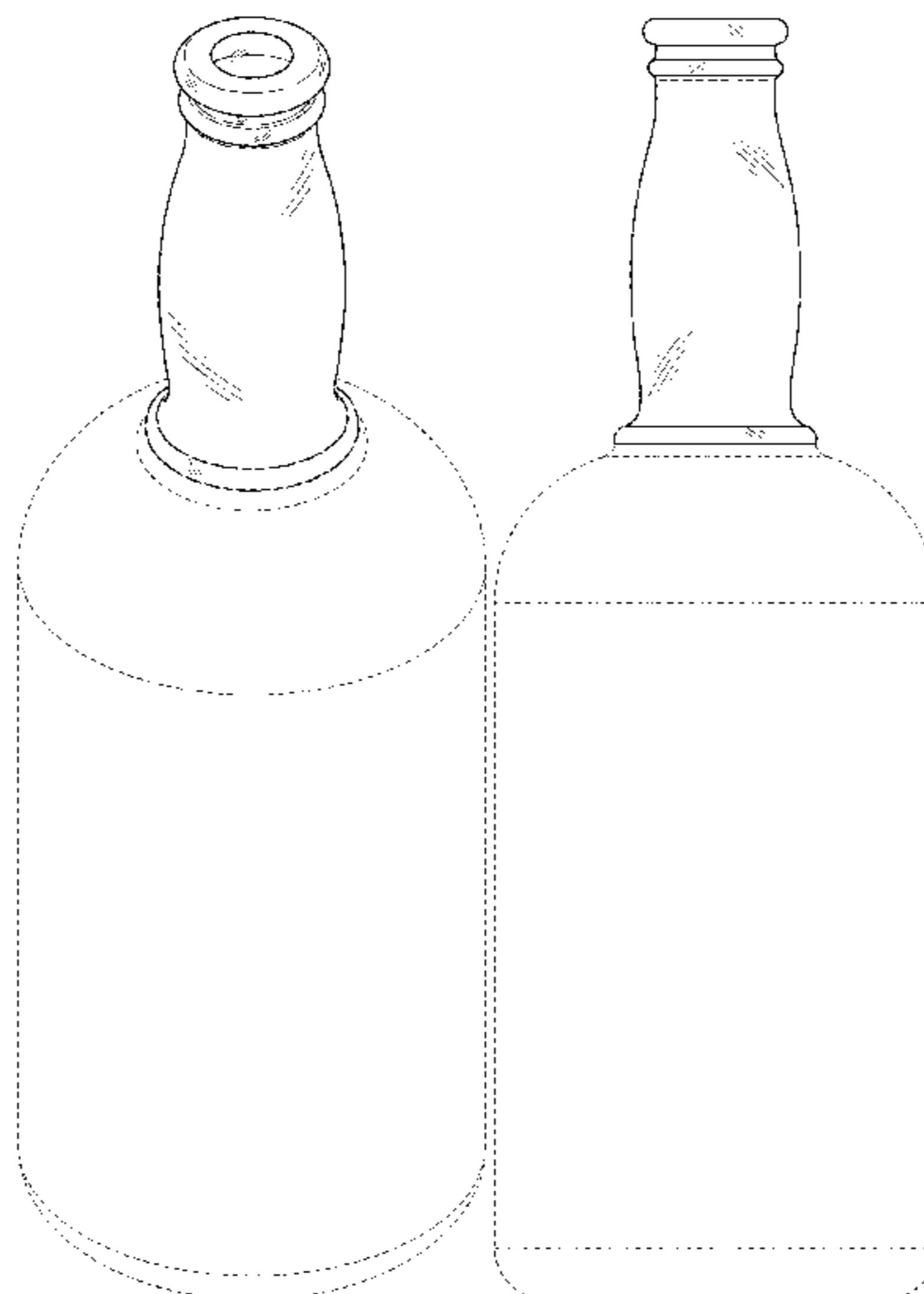
DESCRIPTION

FIG. 1 is a perspective view of the bottle;
FIG. 2 is a front view thereof, the rear, right side and left side views being substantially identical;
FIG. 3 is a top view thereof; and,
FIG. 4 is a bottom view thereof.
The broken lines in the drawings are for the purpose of illustrating environment and form no part of the claimed design.

1 Claim, 3 Drawing Sheets

(56) **References Cited**
U.S. PATENT DOCUMENTS

- D9,417 S 8/1876 Fetters
- D19,726 S * 3/1890 Stent D9/560
- D21,509 S * 4/1892 Oberfelder D9/545
- D24,464 S * 7/1895 De Witt D9/544
- D25,048 S 1/1896 Sherwood
- D25,402 S 4/1896 Nelson
- D27,320 S * 7/1897 Murphy D9/544
- 1,647,175 A 11/1927 Grunberg
- D76,129 S * 8/1928 Edwards D9/553
- D80,709 S 3/1930 Teague
- D86,629 S 3/1932 Nitardy



(56)

References Cited

U.S. PATENT DOCUMENTS

D109,512 S * 5/1938 Purest D9/545
 D158,365 S 5/1950 Fantel
 D172,090 S 5/1954 Du Pree
 D172,691 S * 7/1954 Slavin D9/554
 D225,973 S 1/1973 Seteraklan
 D229,482 S 12/1973 Suhard
 D233,982 S 12/1974 De Graw
 D234,291 S 2/1975 Broadhead
 D237,778 S 11/1975 Lorgues
 D241,012 S 8/1976 Muller et al.
 D241,916 S * 10/1976 Barcelo de Taorres D9/544
 D249,462 S 9/1978 Schwartz et al.
 D253,038 S 10/1979 Plummer
 D253,454 S 11/1979 Earle
 D257,579 S 12/1980 Hayes
 D260,611 S 9/1981 Balcells
 D264,937 S 6/1982 Groark
 D265,382 S 7/1982 Jonsson
 D279,547 S 7/1985 Tobias
 D326,812 S 6/1992 Noakes et al.
 D330,861 S * 11/1992 Lower D9/574
 D339,517 S 9/1993 Jobit
 D379,765 S 6/1997 Hencher
 D384,887 S 10/1997 Rafflin
 D414,238 S 9/1999 Kupperman
 D434,661 S * 12/2000 Zambrano D9/500
 D434,662 S 12/2000 Colonna
 D450,597 S 11/2001 Bobchenok et al.
 D452,648 S * 1/2002 Jakubiuk D9/628
 D456,271 S 4/2002 Maloney
 D476,571 S * 7/2003 Lince D9/500
 D477,533 S * 7/2003 Kornick D9/500
 D477,534 S * 7/2003 Kornick D9/500
 D483,264 S 12/2003 Canepa
 D484,415 S * 12/2003 Hadtke D9/500
 D497,310 S * 10/2004 Kratko D9/500
 D514,448 S 2/2006 Kuzma et al.
 D526,569 S 8/2006 Wurster et al.
 D530,207 S * 10/2006 Brandt D9/500
 D546,183 S 7/2007 Clutter
 D584,634 S 1/2009 Perez et al.
 D585,755 S 2/2009 Dodge et al.
 D590,721 S 4/2009 Martinez De San Vicente
 D591,159 S 4/2009 Pagliaro
 D595,134 S 6/2009 Rica
 D597,413 S 8/2009 Teuscher
 D606,408 S 12/2009 Kulsveen
 D622,600 S 8/2010 Bradfield et al.
 D623,534 S * 9/2010 Shearsby D9/503
 D626,419 S * 11/2010 Adamson D9/454
 D635,857 S * 4/2011 Lauret D9/500
 D636,677 S 4/2011 Diez et al.
 D652,301 S 1/2012 Pelkey
 D653,117 S * 1/2012 Murphy D9/544
 D653,551 S * 2/2012 Murphy D9/544
 D653,558 S 2/2012 Kania
 D654,794 S 2/2012 Morais et al.
 D655,172 S * 3/2012 Brooks D9/575
 D655,177 S * 3/2012 Gonzalez Rodriguez D9/544
 D657,245 S 4/2012 Delbon
 D658,995 S 5/2012 Potts
 D658,997 S * 5/2012 Potts D9/500
 D661,587 S * 6/2012 Rodriguez D9/500
 D669,355 S 10/2012 Gonzalez Rodriguez
 D669,356 S 10/2012 Jacober
 D673,854 S 1/2013 James
 D678,068 S 3/2013 Huang
 D679,600 S 4/2013 Gonzalez Rodriguez
 D687,312 S 8/2013 Biscardo
 D688,948 S 9/2013 Gonzalez Rodriguez
 D689,332 S 9/2013 Krasner
 D691,475 S * 10/2013 Potts D9/500
 D696,116 S * 12/2013 Jacober D9/500
 D696,945 S 1/2014 Newman
 D697,417 S 1/2014 Maczassek

D697,423 S * 1/2014 Infahsaeng D9/500
 D698,256 S * 1/2014 Thompson D9/560
 D698,647 S 2/2014 Maillet et al.
 D698,648 S 2/2014 Letamendi
 D705,073 S 5/2014 Pluta
 D706,634 S 6/2014 Herman et al.
 D707,126 S 6/2014 Pizzolo
 D719,030 S 12/2014 Perez-Cabrera
 D723,923 S 3/2015 Smith
 D723,924 S 3/2015 Laib et al.
 D725,471 S * 3/2015 Jacober D9/500
 D725,472 S * 3/2015 Jacober D9/500
 D731,318 S 6/2015 Monaghan et al.
 D732,961 S * 6/2015 Neave D9/544
 D739,731 S * 9/2015 Jones D9/500
 D739,732 S * 9/2015 Jones D9/500
 D741,719 S 10/2015 Reynolds
 D743,259 S * 11/2015 Delacourt D9/500
 D752,447 S 3/2016 Reynolds
 D761,655 S 7/2016 Chung
 D765,509 S 9/2016 Laib et al.
 D765,510 S 9/2016 Laib et al.
 D766,092 S 9/2016 Maillet et al.
 D782,321 S 3/2017 Ihorovych
 D786,076 S 5/2017 Redondo
 D786,687 S 5/2017 Cooper
 D787,332 S 5/2017 Peneda
 D790,279 S 6/2017 Izen et al.
 D792,231 S 7/2017 Thompson
 D799,323 S * 10/2017 Verde D9/503
 D799,968 S * 10/2017 Harris D9/500
 D799,969 S 10/2017 Harris
 D800,559 S 10/2017 Gonzalez Rodriguez
 D804,309 S 12/2017 Hines
 D807,177 S 1/2018 Belinsky et al.
 D813,675 S * 3/2018 Matauch D9/500
 D813,677 S * 3/2018 Pelkey D9/500
 D815,527 S * 4/2018 Harris D9/500
 D815,530 S 4/2018 Paredes et al.
 D815,541 S 4/2018 Harris et al.
 D815,543 S 4/2018 Mazzer et al.
 D815,946 S * 4/2018 Thompson D9/500
 D824,764 S 8/2018 Miller
 D829,101 S 9/2018 Spivey et al.
 D830,826 S 10/2018 Bae
 D837,657 S 1/2019 Jerez Quintana
 D845,138 S 4/2019 Atkins
 D847,636 S * 5/2019 Harris D9/500
 D847,646 S 5/2019 Harris et al.
 D847,648 S 5/2019 Birkhoff et al.
 D847,649 S 5/2019 Harris et al.
 D850,266 S 6/2019 Harris et al.
 D873,665 S * 1/2020 Yen D9/500
 D878,572 S 3/2020 Davis et al.
 D882,406 S * 4/2020 Bulfoni D9/500
 D883,089 S 5/2020 Welch
 D883,090 S 5/2020 Feletto
 D885,194 S * 5/2020 Bottega D9/503
 D891,254 S * 7/2020 Cornehl D9/516
 D892,618 S 8/2020 Feletto
 D893,309 S 8/2020 Van Skaik et al.
 D898,574 S * 10/2020 Lauret D9/500
 D900,617 S 11/2020 Repellin
 D903,497 S * 12/2020 Cornehl D9/516
 D906,817 S 1/2021 Abercrombie et al.
 D910,447 S 2/2021 Feletto
 D912,519 S 3/2021 Cornehl et al.
 D918,051 S 5/2021 Sanghavi
 2016/0214764 A1 7/2016 Cukman et al.

OTHER PUBLICATIONS

Office Action dated Jul. 9, 2020, issued in connection with U.S. Appl. No. 29/737,750 (6 pages).
 Notice of Allowance dated Jul. 28, 2020, issued in connection with U.S. Appl. No. 29/737,754 (9 pages).
 Notice of Allowance dated Nov. 25, 2020, issued in connection with U.S. Appl. No. 29/737,750 (8 pages).

(56)

References Cited

OTHER PUBLICATIONS

Office Action dated Feb. 25, 2021, issued in connection with U.S. Appl. No. 29/716,761 (13 pages).

Notice of Allowance dated Mar. 19, 2021, issued in connection with U.S. Appl. No. 29/716,762 (5 pages).

Office Action dated Feb. 12, 2021, issued in connection with U.S. Appl. No. 29/716,762 (9 pages).

Office Action dated Jul. 2, 2021, issued in connection with U.S. Application No. 29/773,736 (10 pages).

Office Action dated Jul. 2, 2021, issued in connection with U.S. Application No. 29/773,750 (8 pages).

Office Action dated Jul. 2, 2021, issued in connection with U.S. Application No. 29/773,742 (10 pages).

Office Action dated Jul. 2, 2021, issued in connection with U.S. Application No. 29/773,747 (9 pages).

Office Action dated Jul. 2, 2021, issued in connection with U.S. Application No. 29/773,709 (10 pages).

Office Action dated Jul. 2, 2021, issued in connection with U.S. Application No. 29/773,708 (10 pages).

Notice of Allowance dated Jul. 9, 2021, issued in connection with U.S. Appl. No. 29/716,762 (5 pages).

* cited by examiner

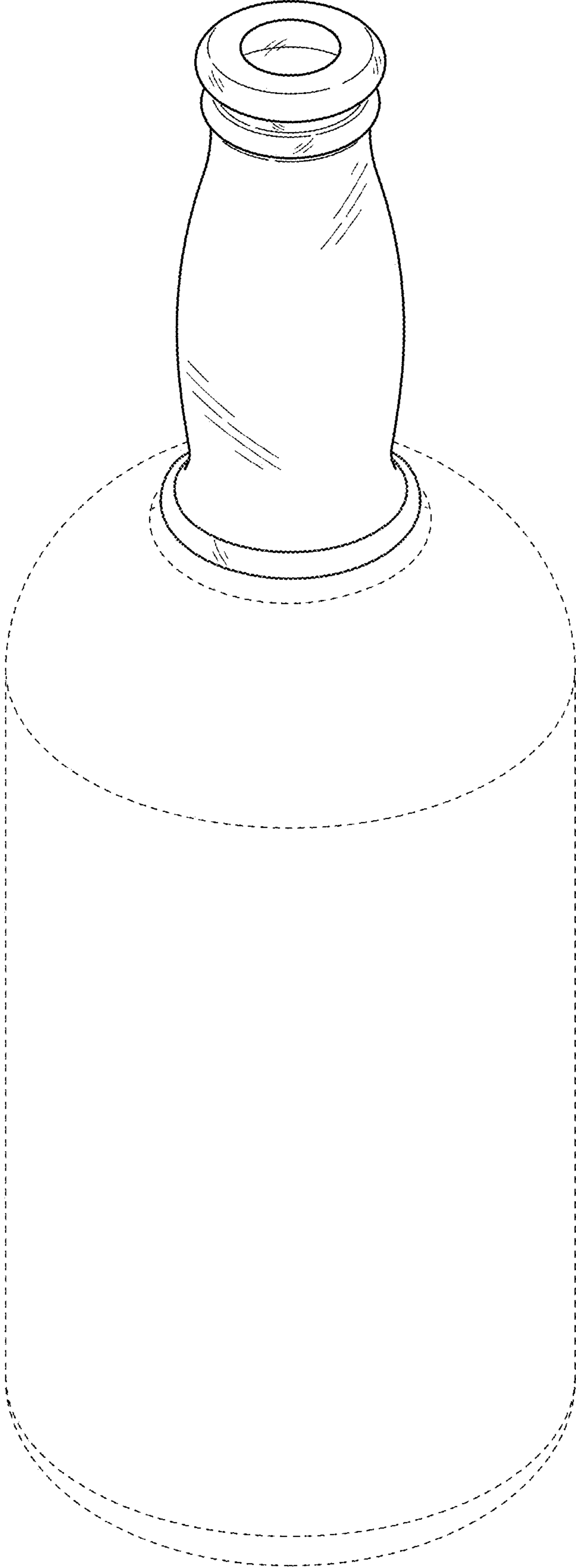


FIG. 1

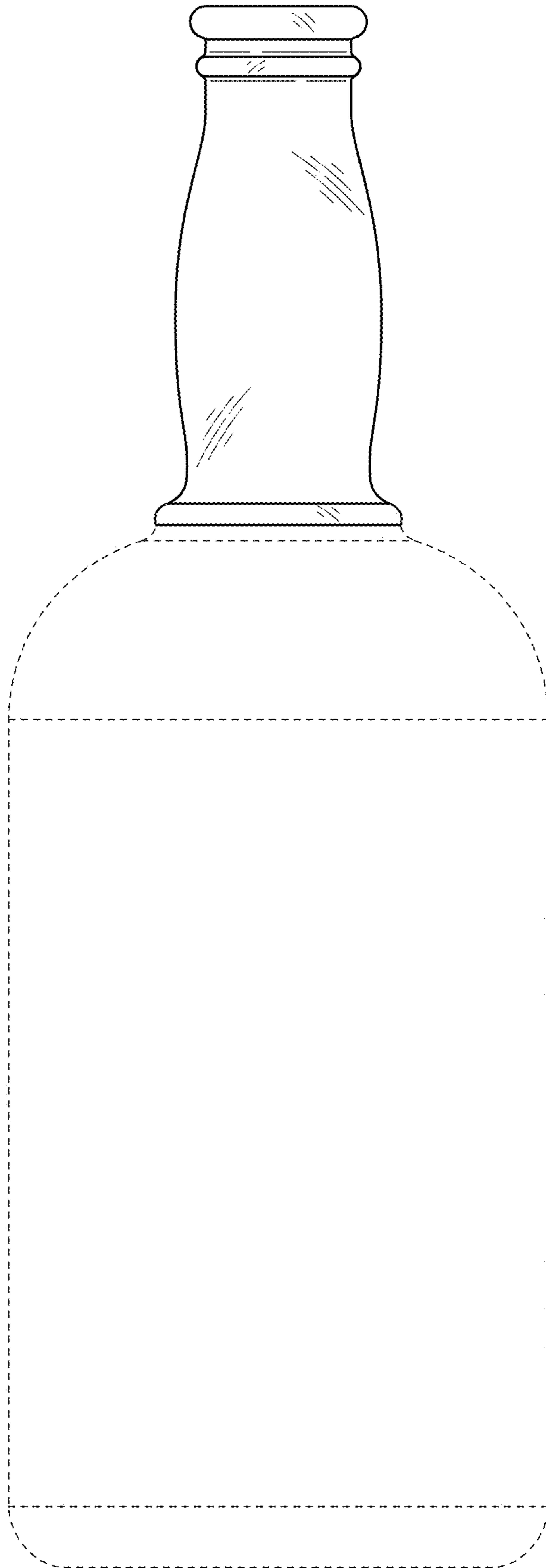


FIG. 2

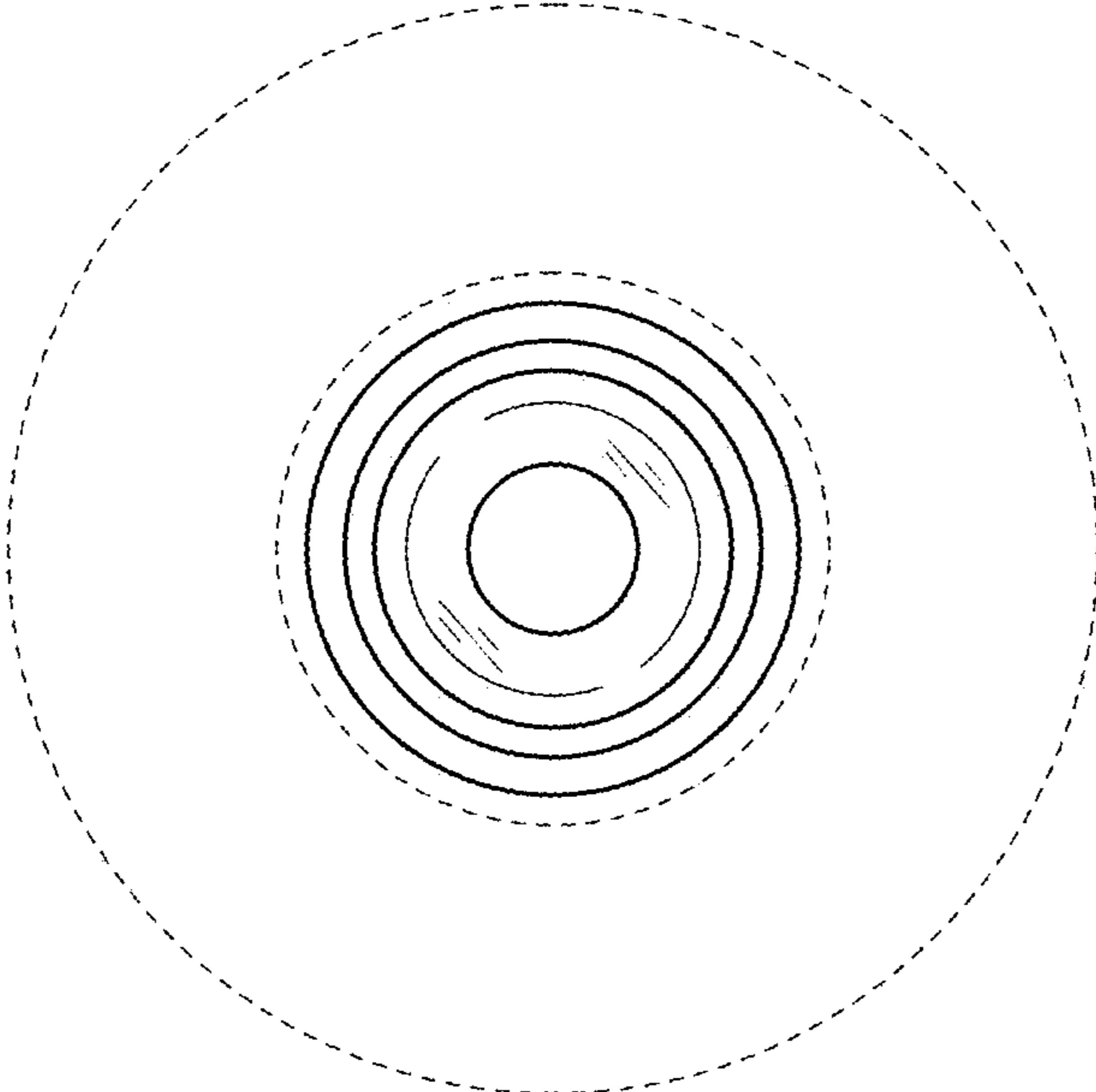


FIG. 3

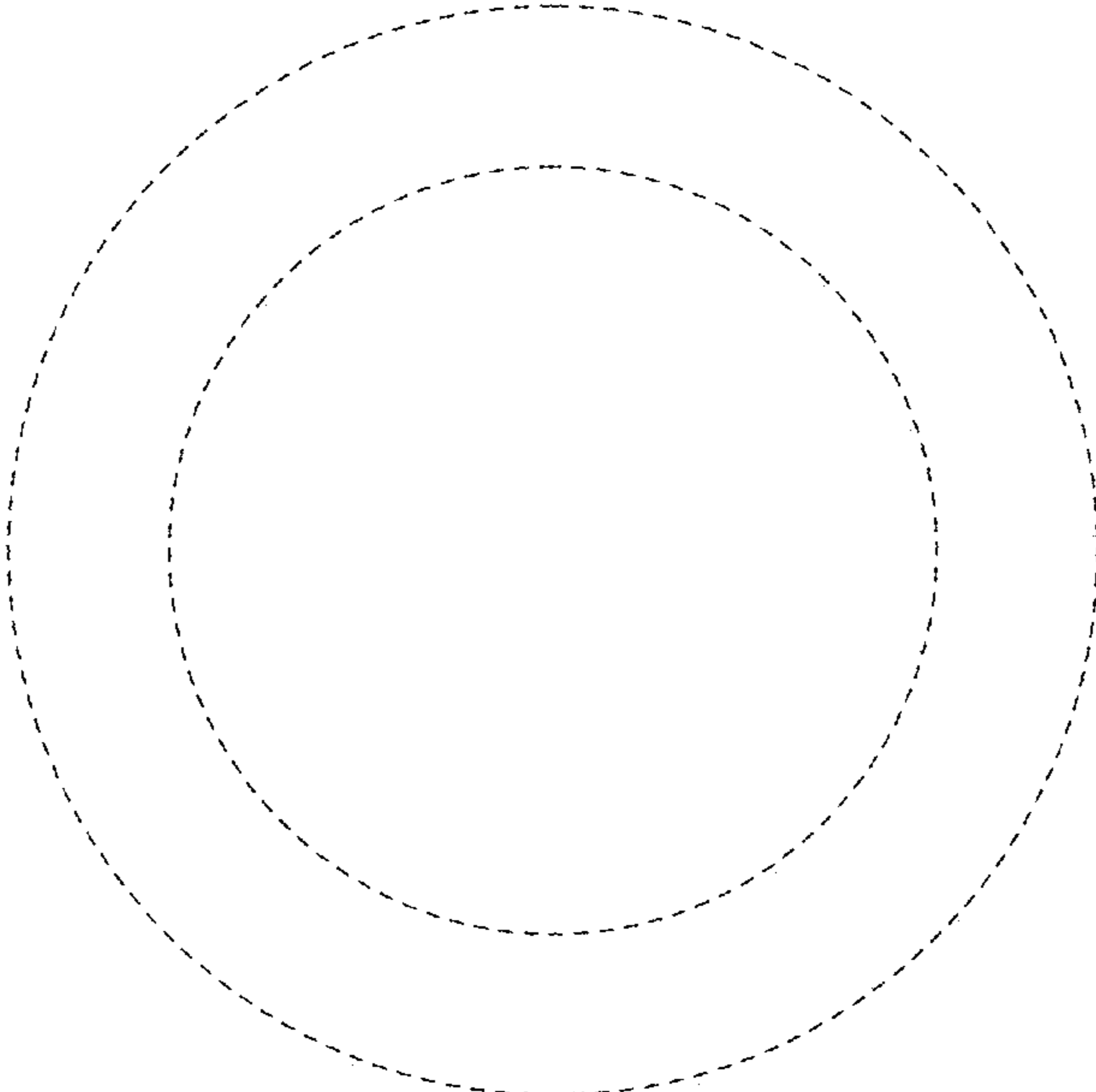


FIG. 4