



US00D934690S

(12) **United States Design Patent** (10) **Patent No.:** **US D934,690 S**
Antonucci (45) **Date of Patent:** **** Nov. 2, 2021**

(54) **LIQUOR BOTTLE**

(71) Applicant: **Bong Spirit Imports, LLC**, Miami Beach, FL (US)

(72) Inventor: **John Antonucci**, Miami Beach, FL (US)

(73) Assignee: **Bong Spirit Imports, LLC**, Miami Beach, FL (US)

(**) Term: **15 Years**

(21) Appl. No.: **29/739,076**

(22) Filed: **Jun. 22, 2020**

(51) **LOC (13) Cl.** **09-01**

(52) **U.S. Cl.**
USPC **D9/504; D9/454; D9/519**

(58) **Field of Classification Search**
USPC D9/434-435, 500, 503-505, 516, 519, D9/544-545, 548-549, 558, 682, 686, D9/688, 690, 715, 719
CPC B65D 1/00; B65D 1/02; B65D 1/0215; B65D 1/0223; B65D 2501/00; B65D 2501/0009

See application file for complete search history.

(56) **References Cited**

U.S. PATENT DOCUMENTS

D124,639 S * 1/1941 Levy D9/545
D266,738 S * 11/1982 Cooper D9/519

D268,988 S * 5/1983 Hirsh D9/504
D349,780 S * 8/1994 Heine D27/162
D368,325 S * 3/1996 Heine D27/162
D381,116 S * 7/1997 Richards D27/162
D387,991 S * 12/1997 Chahed D9/503
D403,106 S * 12/1998 Barmes D27/162
D516,920 S * 3/2006 Abadinsky D9/542
D539,154 S * 3/2007 Beach-Drummond D9/500
D736,645 S * 8/2015 Gomez D9/663
D775,958 S * 1/2017 Louis D9/503

* cited by examiner

Primary Examiner — Dana Meyrow

(74) *Attorney, Agent, or Firm* — Khanh T. Glatzel, Esq.; Premium IP Services, P.C.

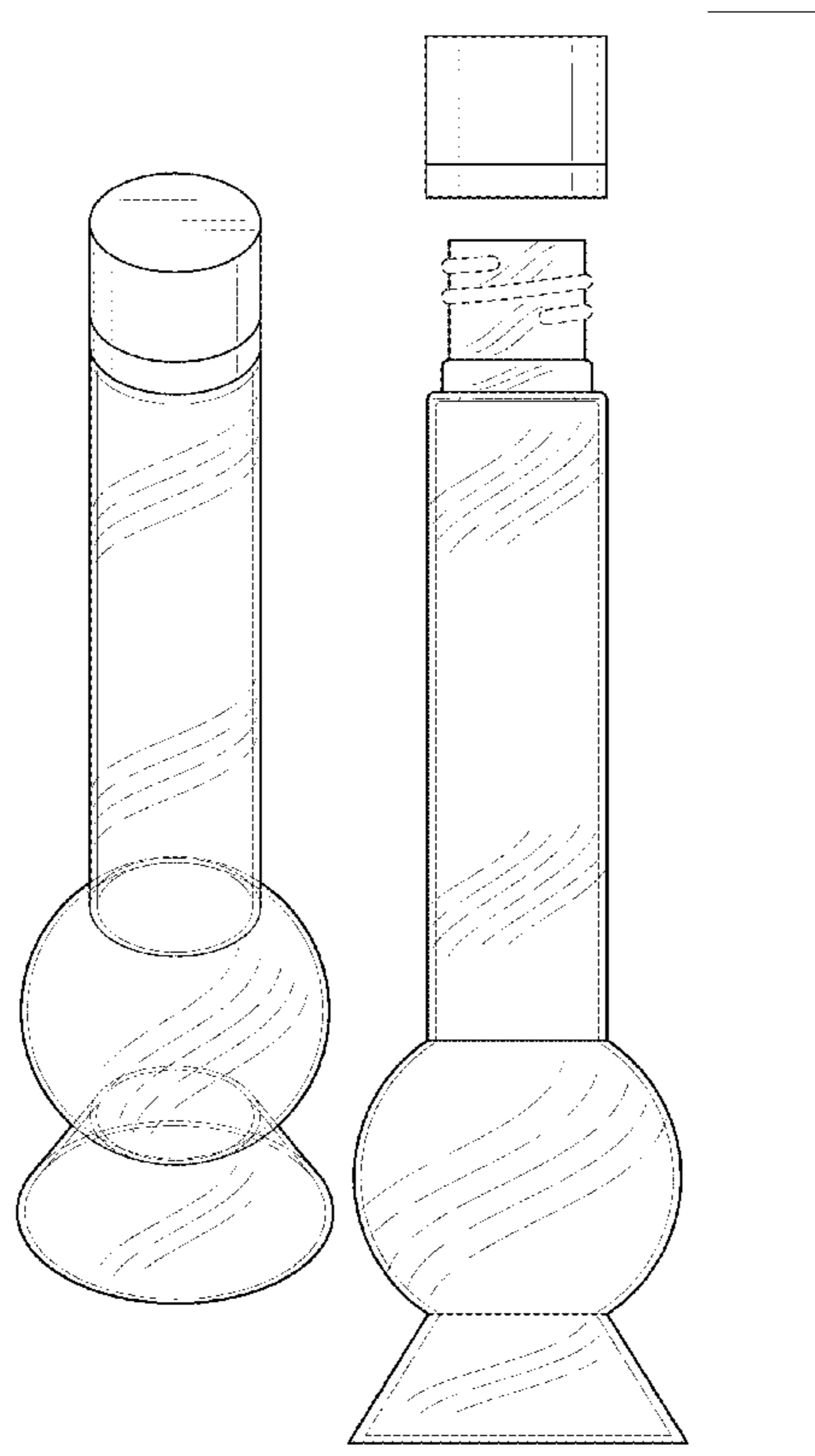
(57) **CLAIM**

The ornamental design for a liquor bottle, as shown and described.

DESCRIPTION

FIG. 1 is an exploded perspective view of the design for the liquor bottle;
FIG. 2 is a collapsed perspective view thereof;
FIG. 3 is an exploded front view thereof;
FIG. 4 is an exploded rear view thereof;
FIG. 5 is an exploded left side view thereof;
FIG. 6 is an exploded right side view thereof;
FIG. 7 is an exploded top view thereof; and,
FIG. 8 is an exploded bottom view thereof.
The broken lines are for the purposes of illustrating portions of the liquor bottle and form no part of the claimed design.

1 Claim, 7 Drawing Sheets



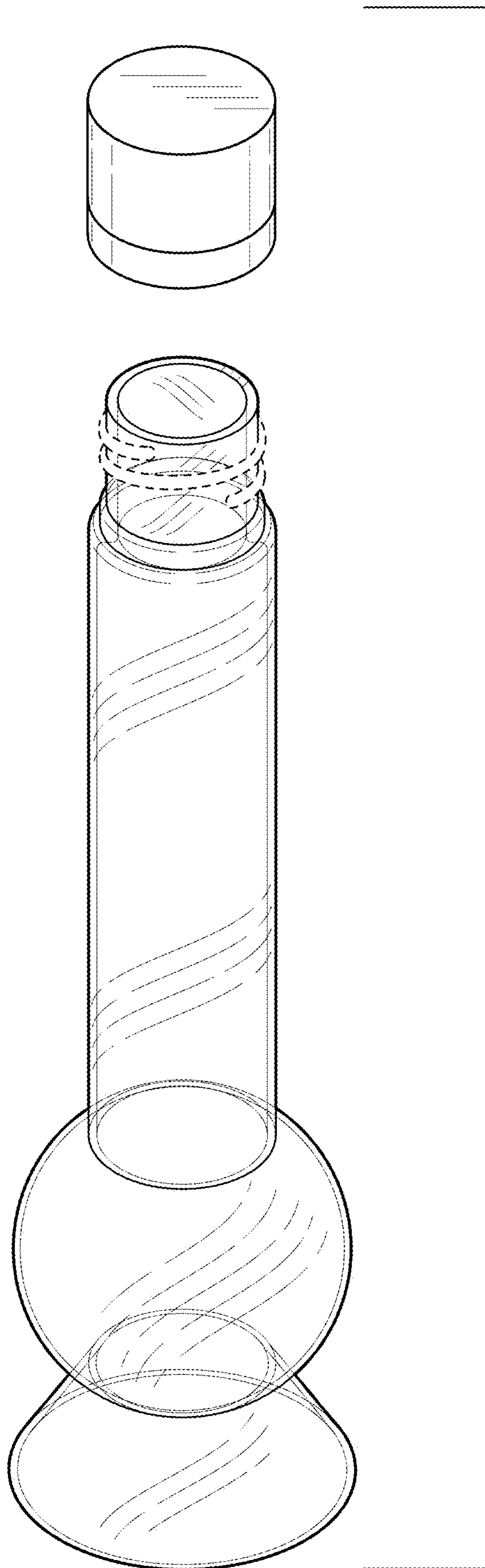


FIG. 1

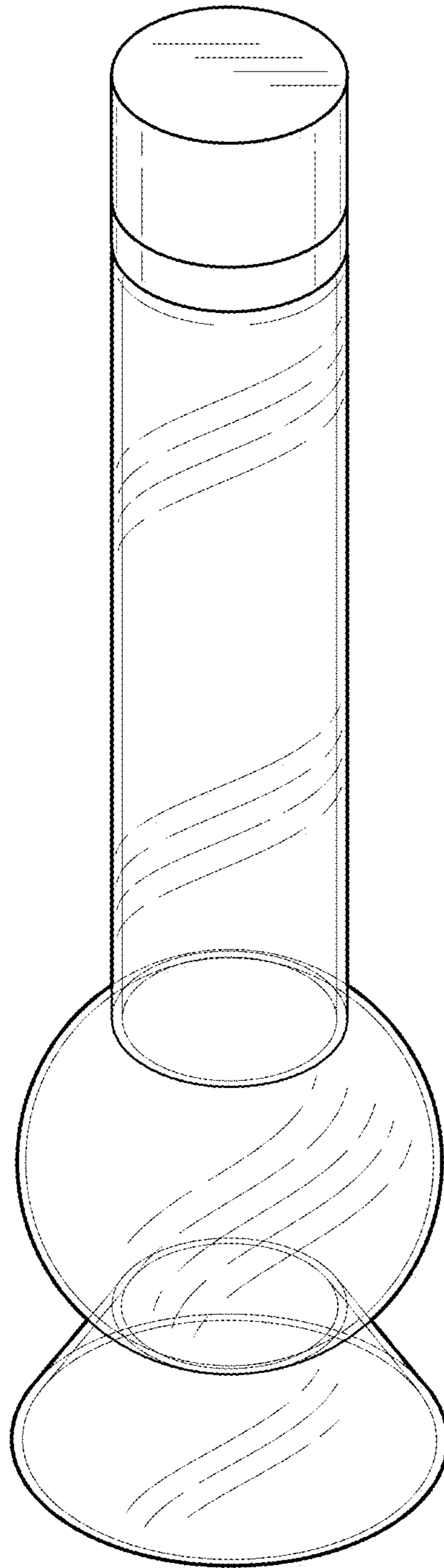


FIG. 2

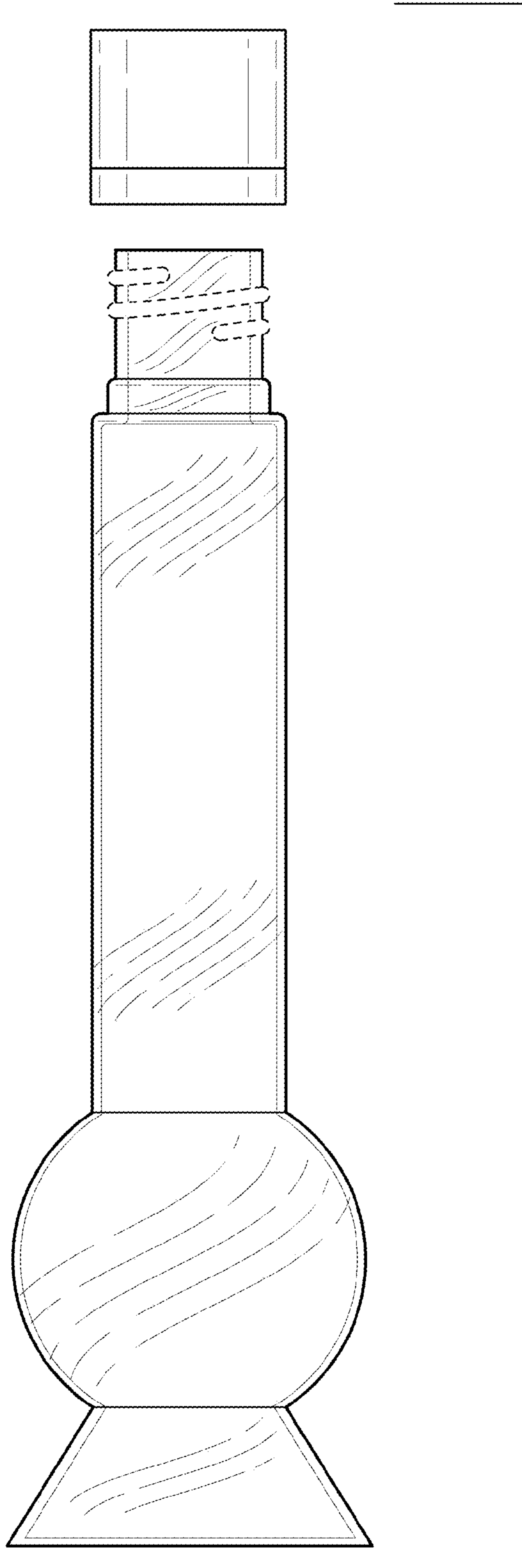


FIG. 3

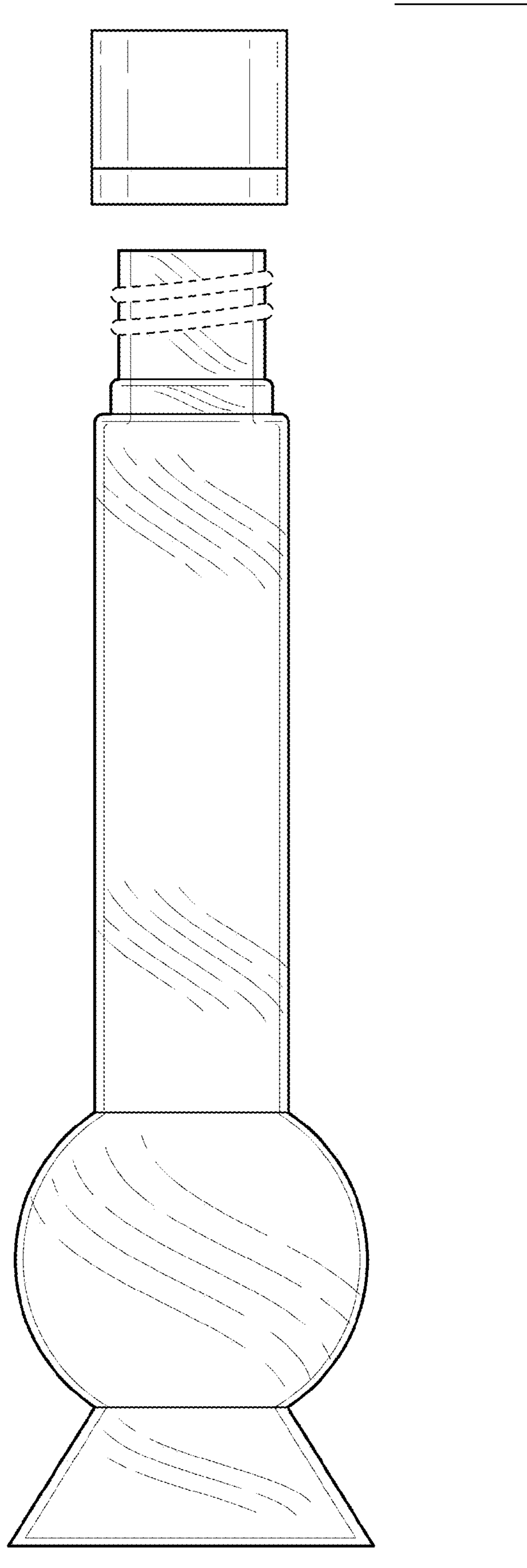


FIG. 4

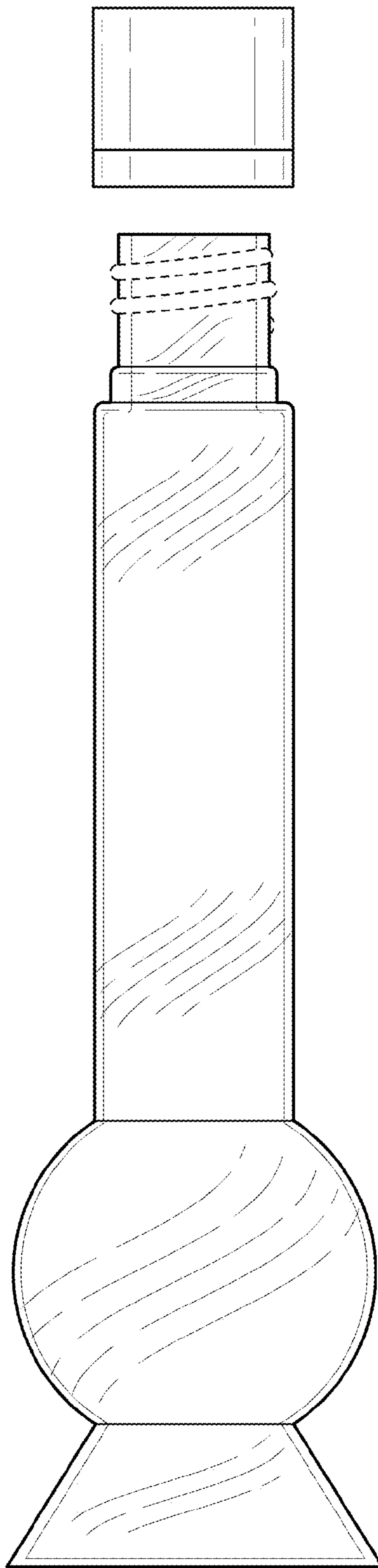


FIG. 5

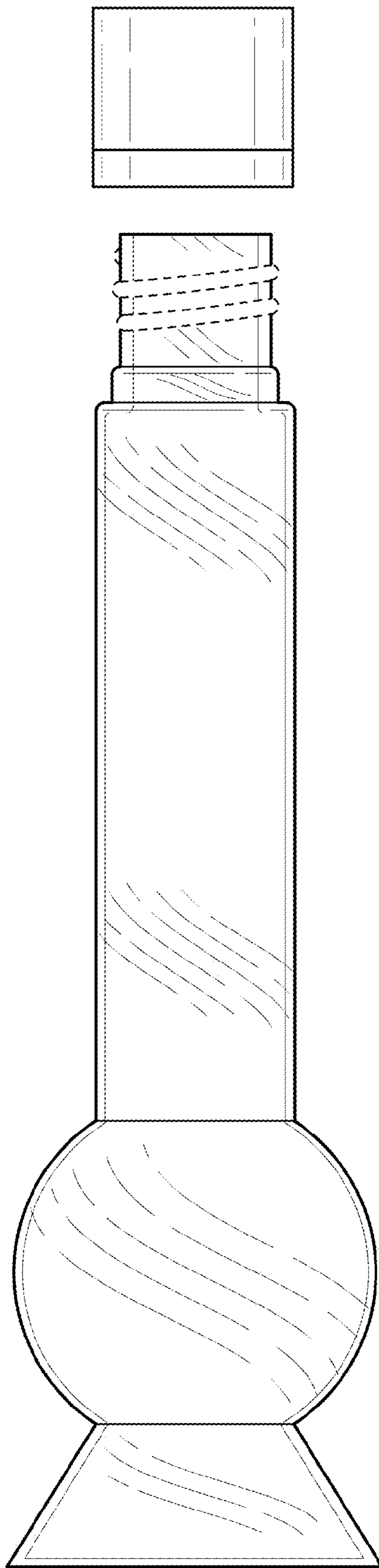


FIG. 6

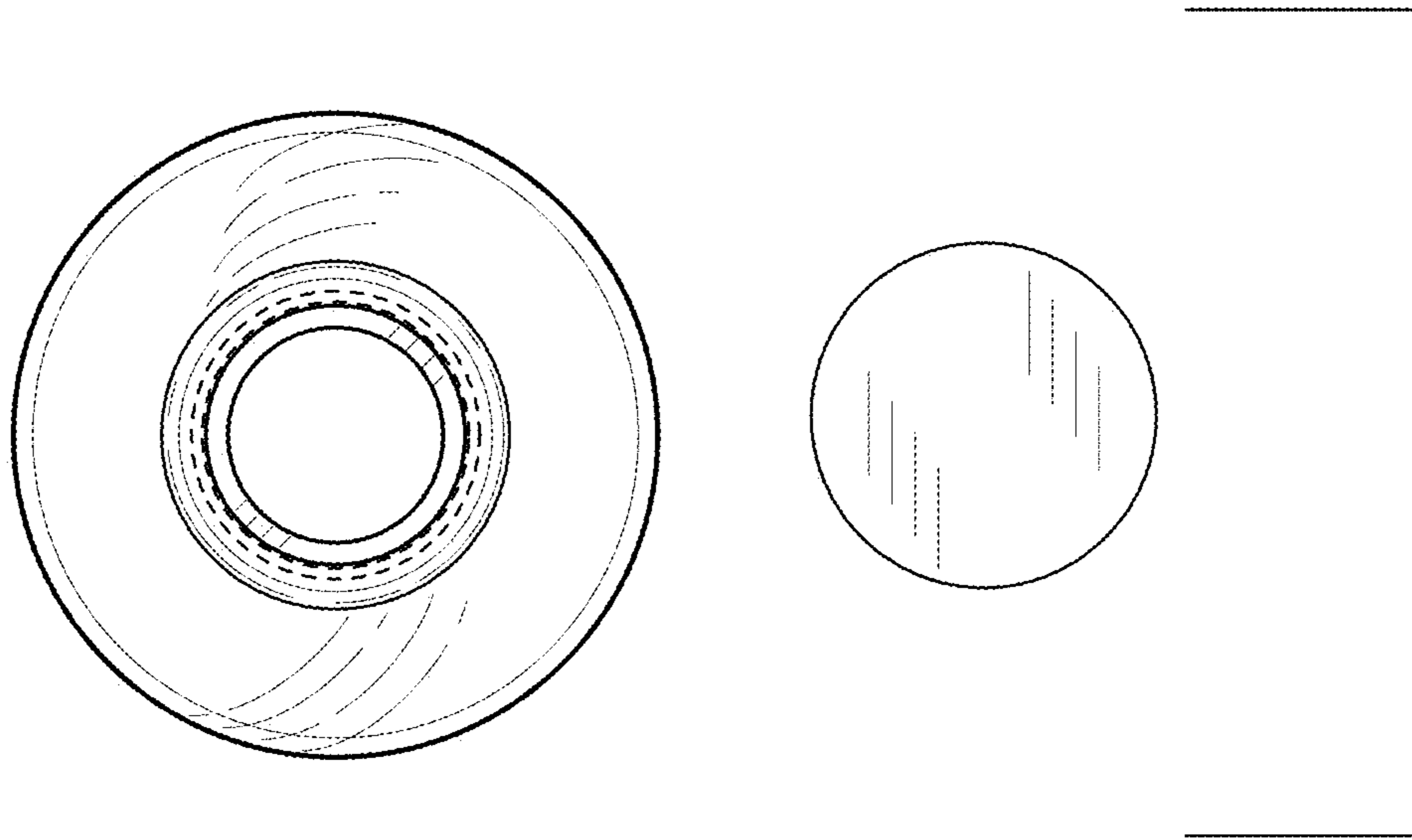


FIG. 7

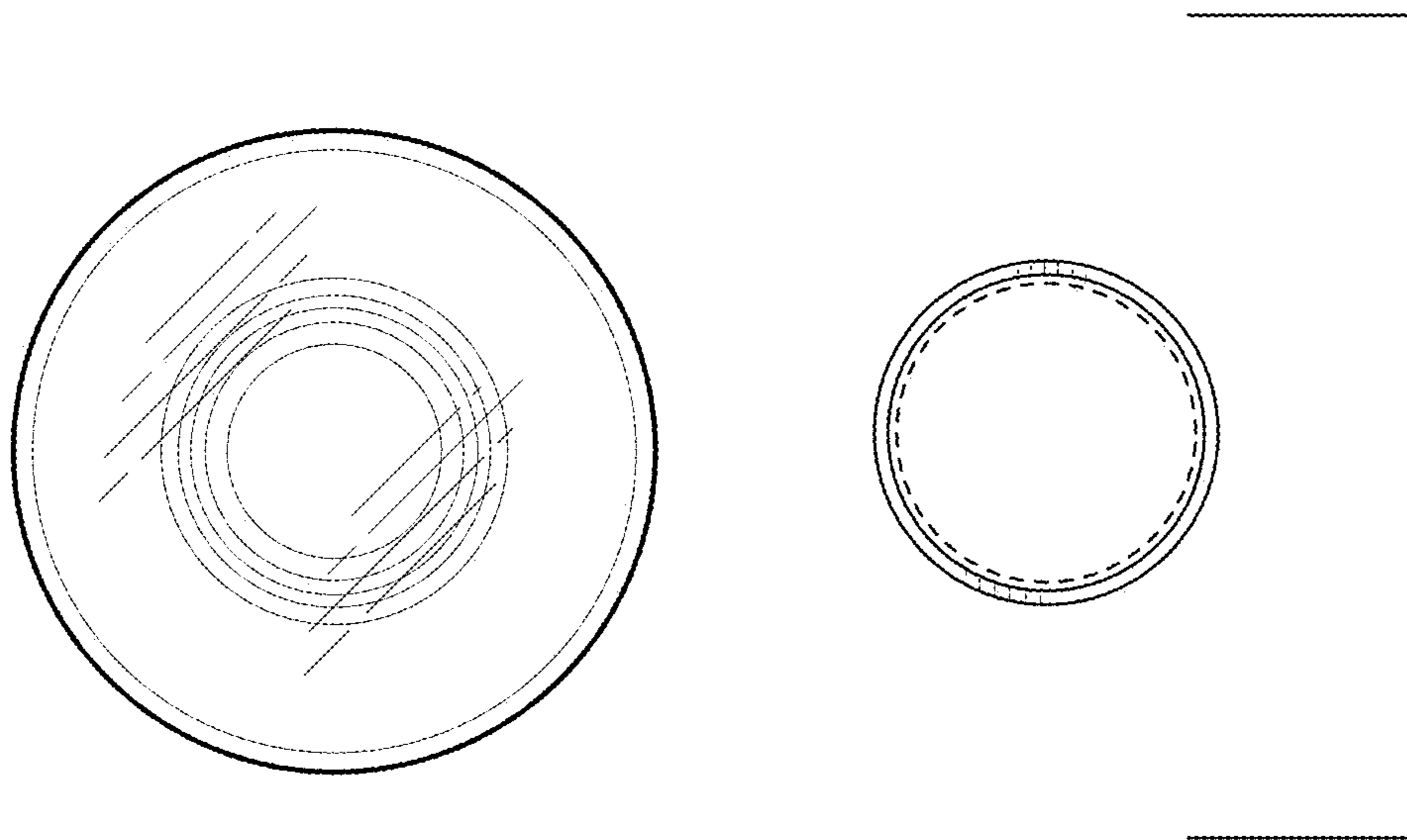


FIG. 8