



US00D934686S

(12) **United States Design Patent**  
**Paiji et al.**

(10) **Patent No.:** **US D934,686 S**

(45) **Date of Patent:** **\*\* Nov. 2, 2021**

(54) **DISPENSER BOTTLE**

(71) Applicant: **One Home Brands, Inc.**, New York, NY (US)

(72) Inventors: **Sarah Lee Paiji**, New York, NY (US); **Lucas Lerman Lappe**, New York, NY (US); **Arthur Kenzo Debaigue**, San Francisco, CA (US)

(73) Assignee: **One Home Brands, Inc.**, New York, NY (US)

(\*\*) Term: **15 Years**

(21) Appl. No.: **29/680,875**

(22) Filed: **Feb. 20, 2019**

(51) **LOC (13) Cl.** ..... **09-01**

(52) **U.S. Cl.**  
USPC ..... **D9/500; D6/542**

(58) **Field of Classification Search**  
USPC ..... D9/434–435, 447–448, 500, 503–504, D9/516, 520, 545, 549, 558, 682, D9/690–691, 715, 719; D6/542  
CPC ..... B65D 1/00; B65D 1/02; B65D 1/0223; B65D 2501/00; B65D 2501/0009  
See application file for complete search history.

(56) **References Cited**

**U.S. PATENT DOCUMENTS**

D628,486 S \* 12/2010 Lane ..... D9/503  
D629,692 S \* 12/2010 Lauret ..... D9/500

D640,135 S \* 6/2011 Grace ..... B65D 47/06  
D9/503  
D740,665 S \* 10/2015 Becker ..... D9/516  
D783,410 S \* 4/2017 Bertaux ..... D9/690  
D801,190 S \* 10/2017 Bertaux ..... D9/690  
D897,858 S \* 10/2020 Yang ..... D9/686

\* cited by examiner

*Primary Examiner* — Dana Meyrow

(74) *Attorney, Agent, or Firm* — McDermott Will & Emery LLP; James M. Oehler

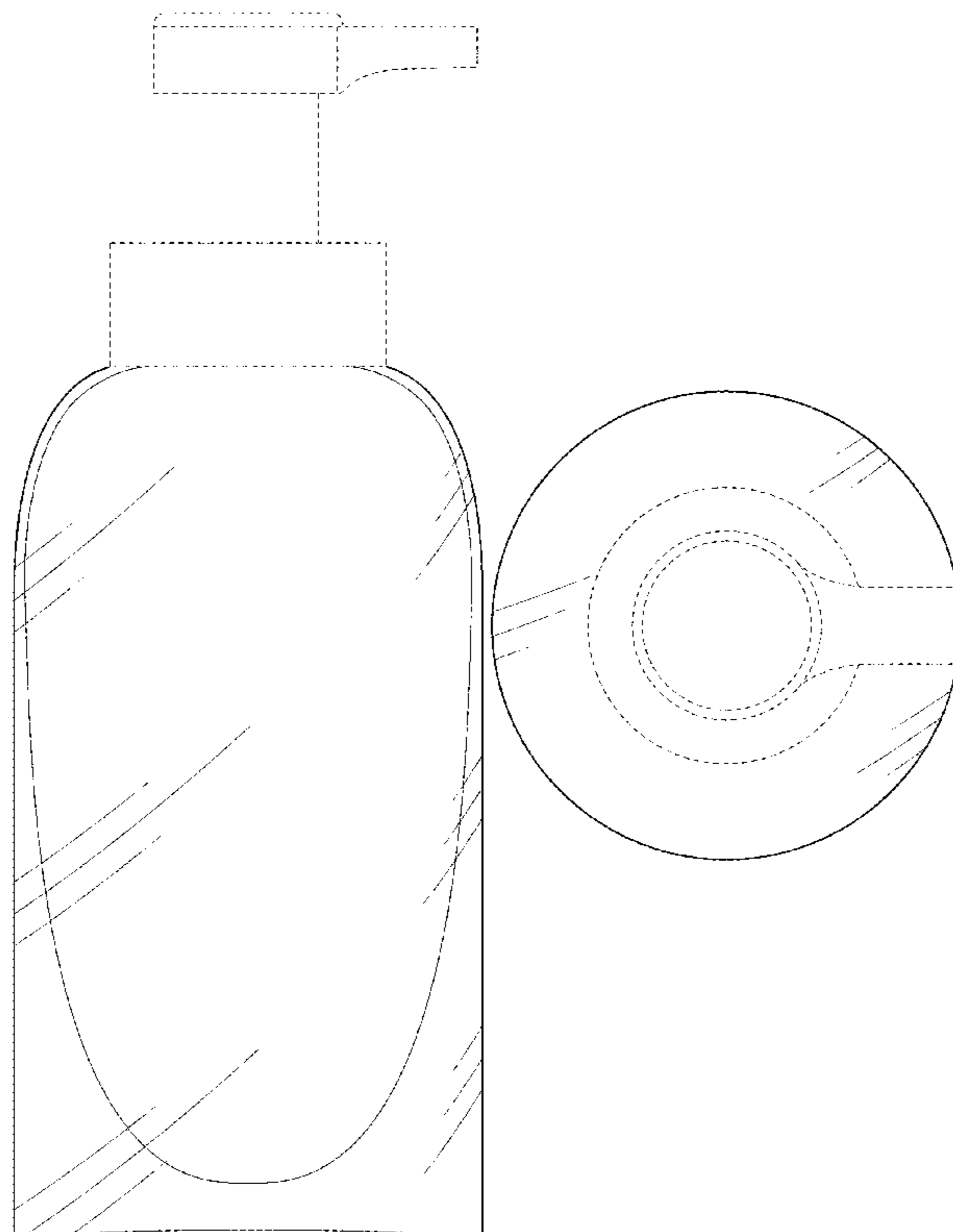
(57) **CLAIM**

The ornamental design for a dispenser bottle, as shown and described.

**DESCRIPTION**

FIG. 1 is a perspective view of a dispenser bottle showing our new design;  
FIG. 2 is a front view thereof;  
FIG. 3 is a left side view thereof;  
FIG. 4 is a rear view thereof;  
FIG. 5 is a right side view thereof;  
FIG. 6 is a top plan view thereof; and,  
FIG. 7 is a bottom plan view thereof.  
The broken lines in the Figures show portions of the dispenser bottle which form no part of the claimed design.

**1 Claim, 6 Drawing Sheets**



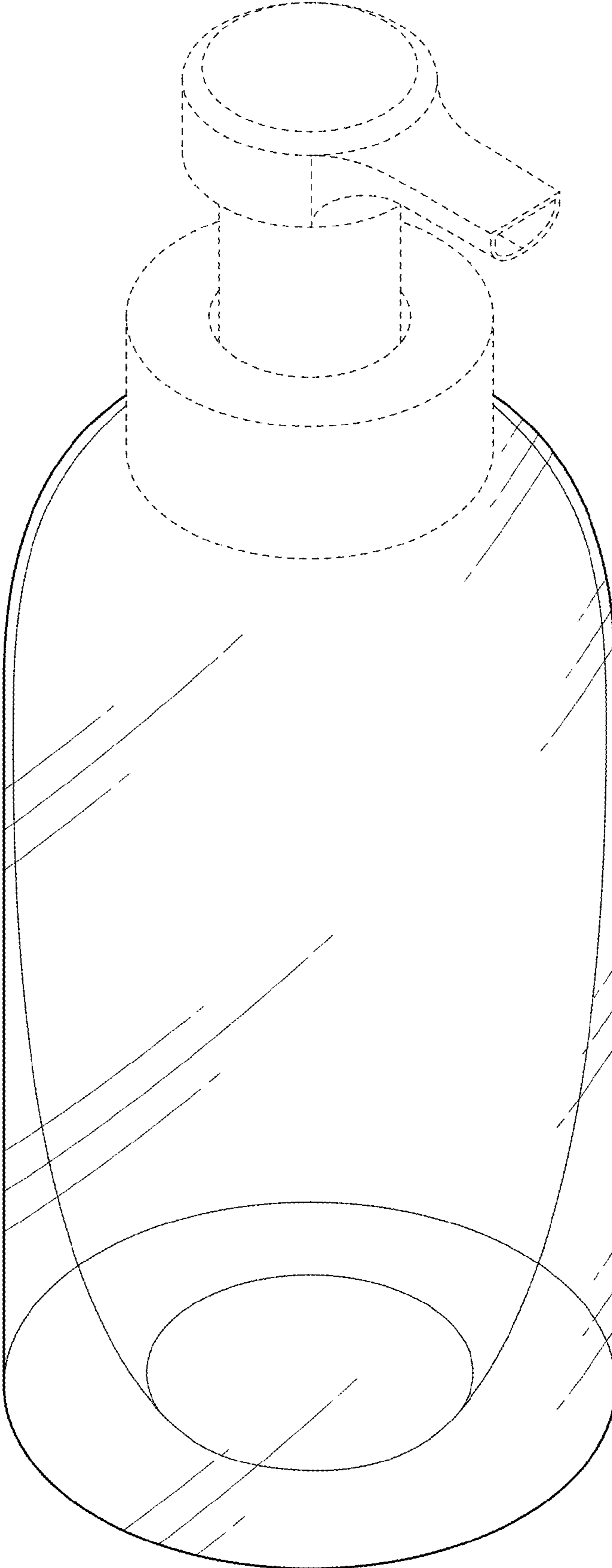


FIG. 1

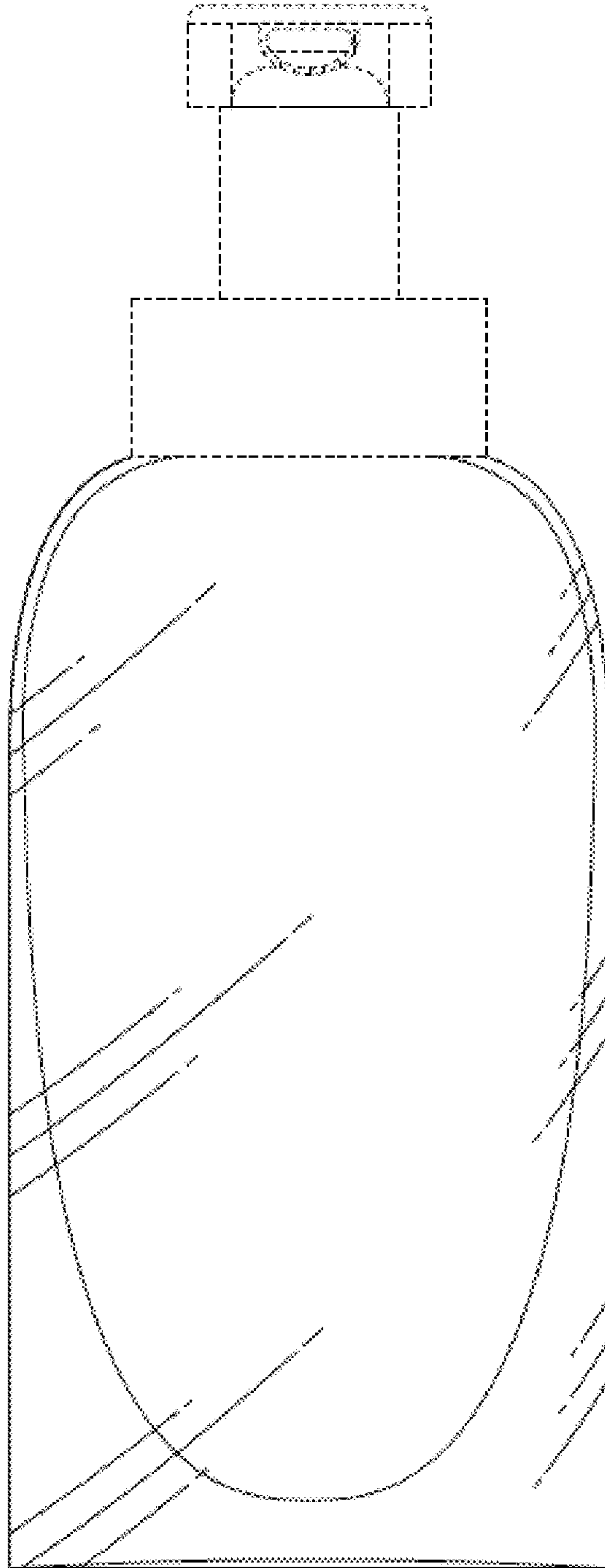


FIG. 2

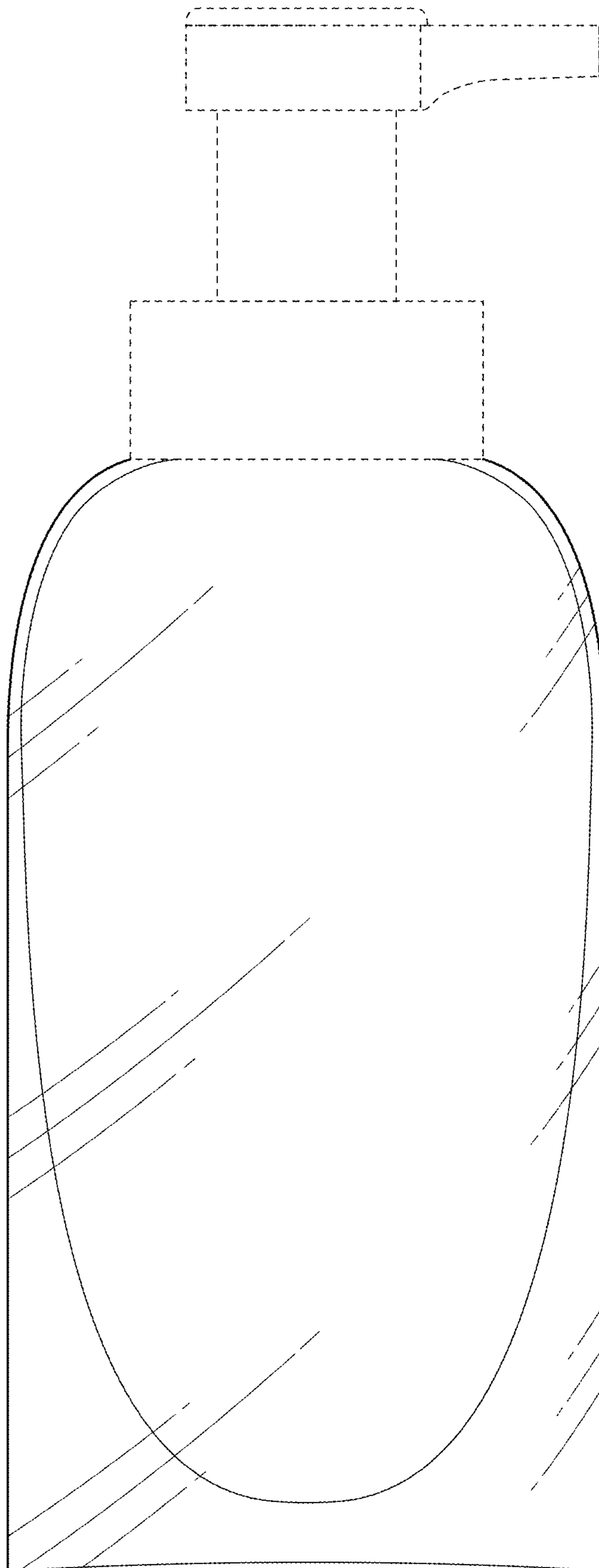


FIG. 3

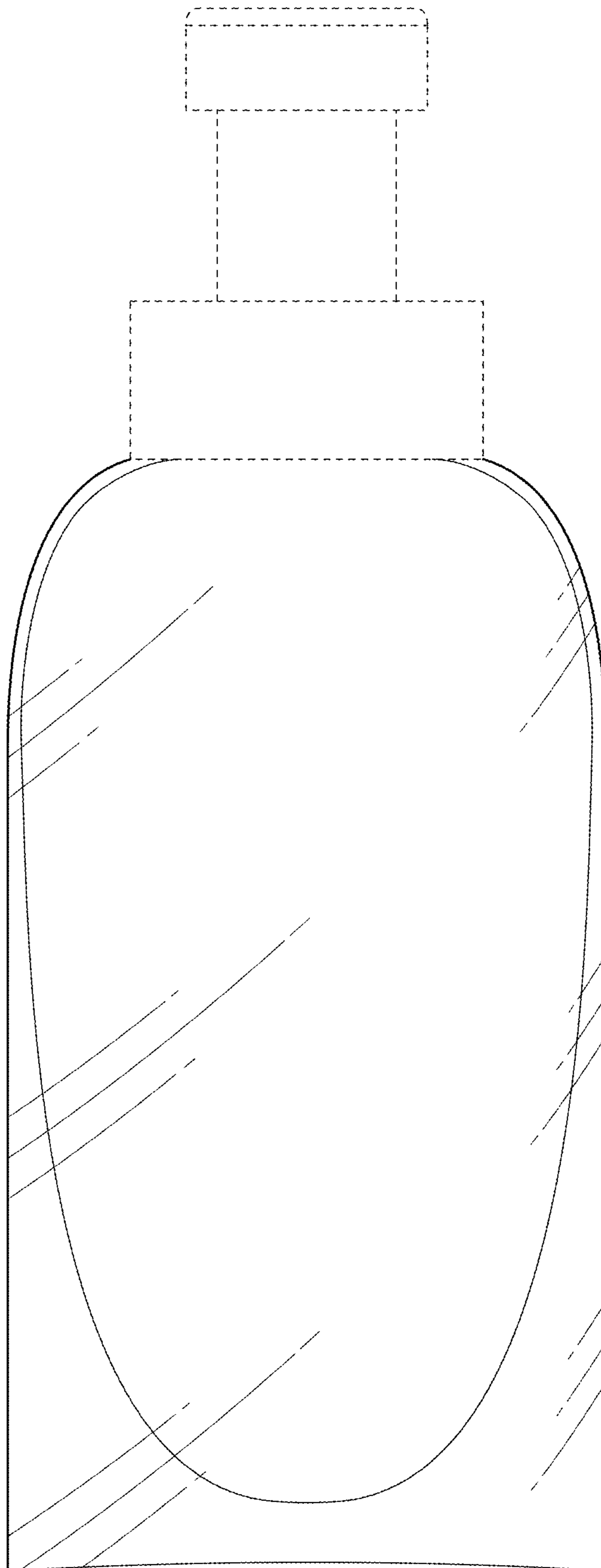


FIG. 4

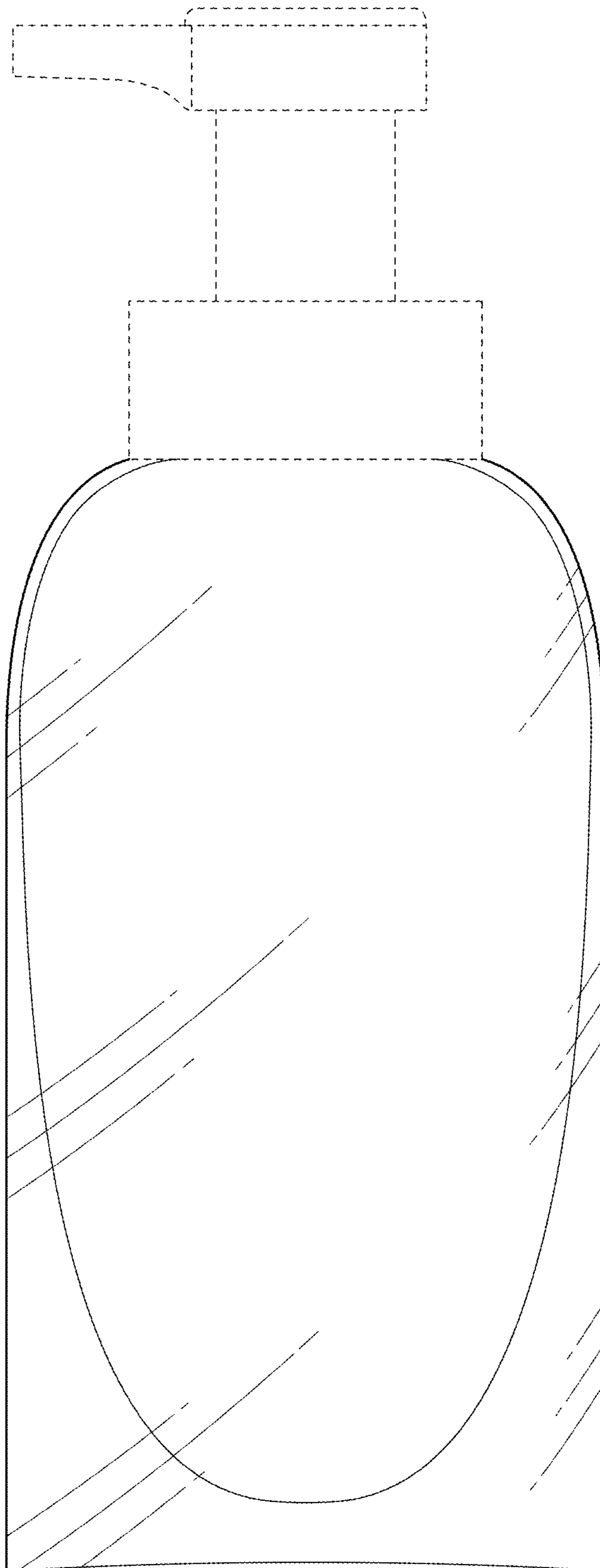


FIG. 5

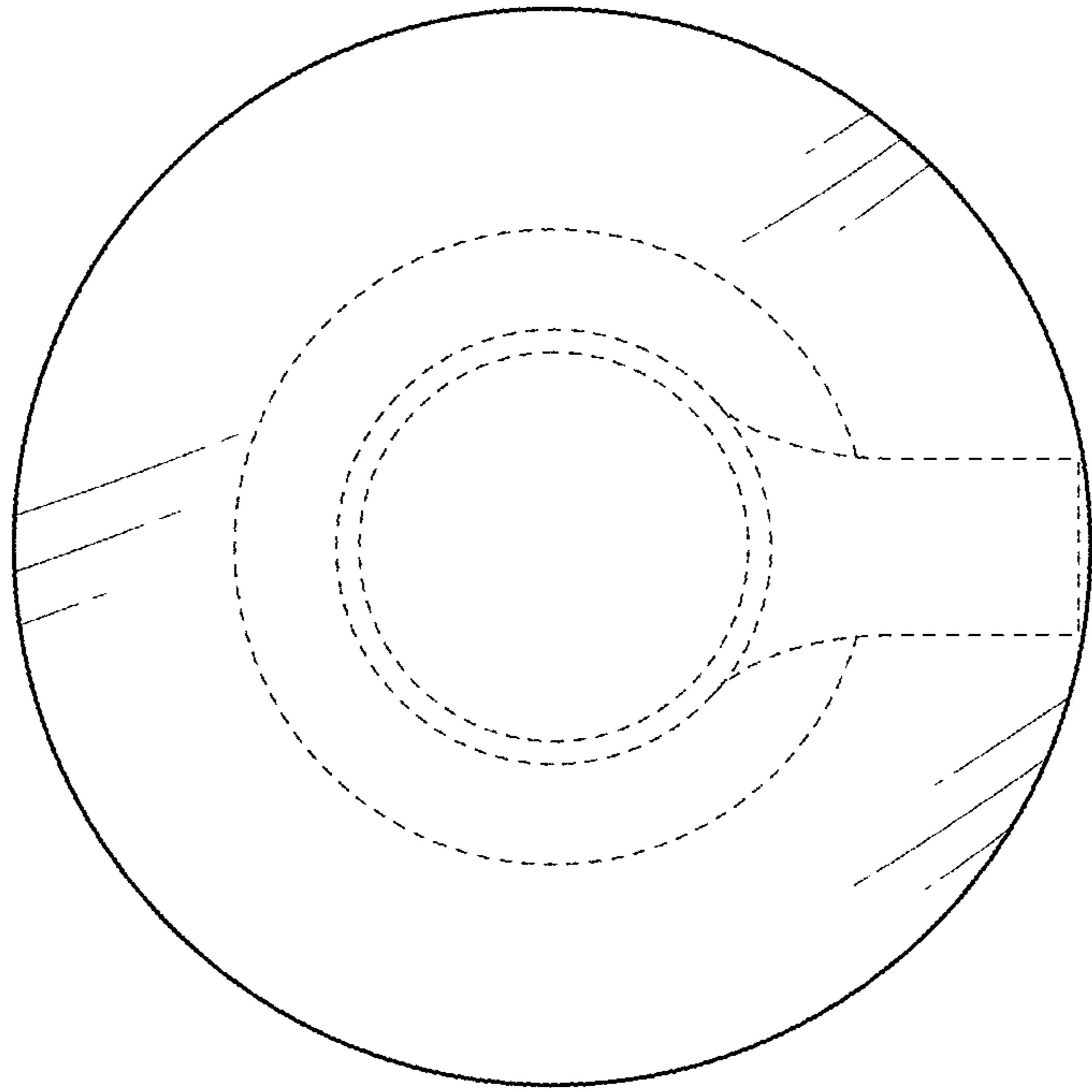


FIG. 6

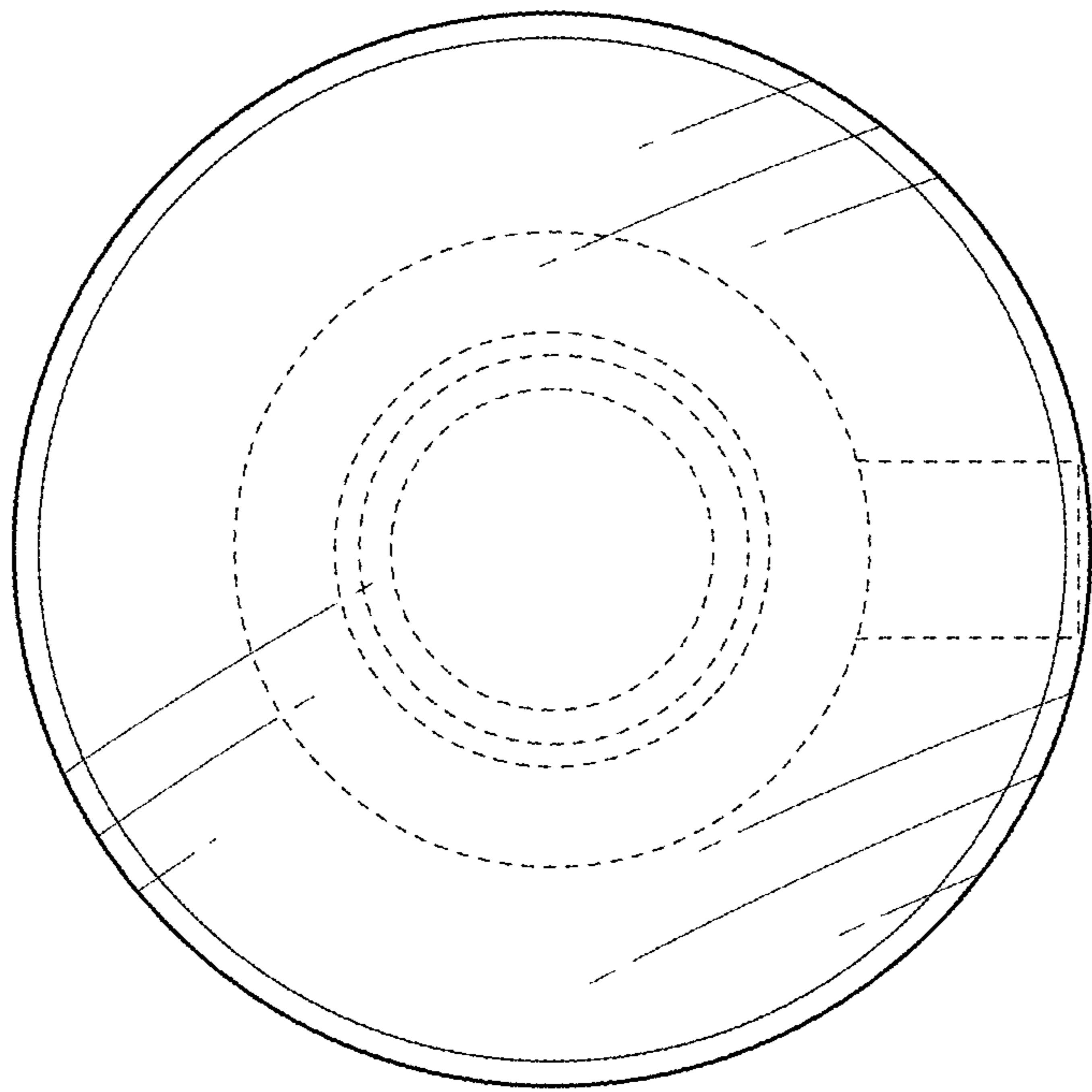


FIG. 7