



US00D934683S

(12) **United States Design Patent**  
**Stevenson et al.**

(10) **Patent No.:** **US D934,683 S**

(45) **Date of Patent:** **\*\* Nov. 2, 2021**

(54) **CUP CONNECTOR**

(71) Applicant: **F.D.S. Manufacturing Company**,  
Pomona, CA (US)

(72) Inventors: **Kevin Tyrel Stevenson**, Upland, CA  
(US); **Michael Cecil Francis Newman**,  
Ontario, CA (US); **Robert Symons**,  
Santa Ana, CA (US); **Steve Kwon**, San  
Diego, CA (US)

(73) Assignee: **F.D.S. Manufacturing Company**,  
Pomona, CA (US)

(\*\*) Term: **15 Years**

(21) Appl. No.: **29/713,552**

(22) Filed: **Nov. 16, 2019**

(51) **LOC (13) Cl.** ..... **09-07**

(52) **U.S. Cl.**  
USPC ..... **D9/455**

(58) **Field of Classification Search**

USPC ..... D7/509, 510, 511, 624.1, 387, 391, 392,  
D7/392.1, 393, 396.1, 396.2, 400;  
D9/434, 435, 439, 445, 447, 451, 454,  
D9/438, 440, 443, 452, 453; D23/259,  
D23/260, 261, 209, 210; D24/162, 127;  
D12/202, 604-607; D28/76, 85, 91.1  
CPC ..... B65D 43/09; B65D 43/16; B65D 25/04;  
B65D 1/24; B65D 2543/00046; B65D  
2543/00092; B65D 43/0212; B65D  
43/0208; B65D 51/1694; B65D 23/00;  
B65D 47/00; B65D 47/06; B65D 47/08;  
B65D 41/00; B65D 41/38; B65D 41/56;  
B65D 41/62; B65D 2585/56; B65D  
2585/545; B65D 1/00; B65D 1/02; B65D  
1/10; B65D 1/46; A61J 1/00; A61J  
1/1412; A61J 1/02

See application file for complete search history.

(56) **References Cited**

U.S. PATENT DOCUMENTS

2,893,163 A \* 7/1959 Hazel, Jr. .... A47G 23/03  
248/346.11  
3,401,825 A \* 9/1968 Weiss ..... B65D 43/021  
220/787  
3,946,897 A \* 3/1976 Wolff ..... B65D 43/0212  
220/782  
D243,231 S \* 2/1977 Smith ..... D9/439  
D275,636 S \* 9/1984 Picozza ..... D7/392.1  
D323,383 S \* 1/1992 Keays ..... D23/366

(Continued)

FOREIGN PATENT DOCUMENTS

KR 300869953.0000 \* 8/2016

*Primary Examiner* — Catherine S Posthauer

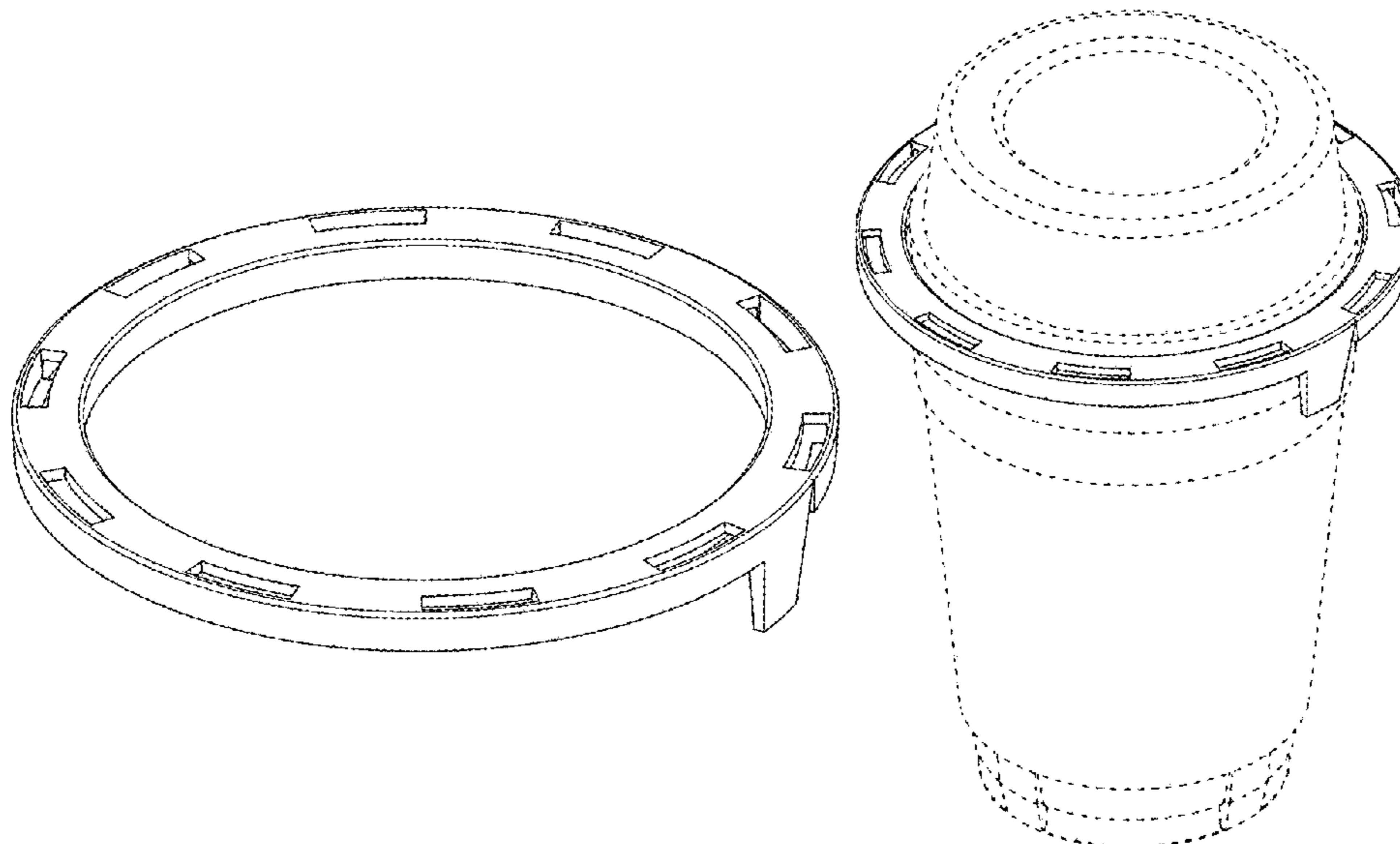
(57) **CLAIM**

The ornamental design for a cup connector, substantially as shown and described.

**DESCRIPTION**

FIG. 1 is a top perspective view of a cup connector showing our new design;  
FIG. 2 is another top perspective view thereof;  
FIG. 3 is a bottom perspective view thereof;  
FIG. 4 is a top view thereof;  
FIG. 5 is a bottom view thereof;  
FIG. 6 is right side view thereof;  
FIG. 7 is a front view thereof;  
FIG. 8 is left side view thereof;  
FIG. 9 is a rear view thereof;  
FIG. 10 is a right side view thereof shown in a position of use with an exemplary cup and lid;  
FIG. 11 is a top perspective view thereof;  
FIG. 12 is an exploded top perspective view thereof; and,  
FIG. 13 is another exploded top perspective view thereof.  
The broken lines for the example cup and lid in FIGS. 10-13 are for illustrative purpose only and form no part of the claimed design.

**1 Claim, 13 Drawing Sheets**



(56)

**References Cited**

## U.S. PATENT DOCUMENTS

D346,640	S	*	5/1994	Kim	.....	D23/209
D362,389	S	*	9/1995	Frye	.....	D9/452
D373,704	S	*	9/1996	Doxey	.....	D7/391
D563,785	S	*	3/2008	Maki	.....	D9/454
D583,238	S	*	12/2008	Chen	.....	D9/453
D643,720	S	*	8/2011	Maeda	.....	D9/439
D688,945	S	*	9/2013	Kim	.....	D9/452
D730,731	S	*	6/2015	Bewley, Jr.	.....	D9/447
D752,975	S	*	4/2016	Gatto	.....	D9/434
D776,296	S	*	1/2017	Wainwright	.....	D24/224
D778,397	S	*	2/2017	Zhang	.....	D22/122
D795,069	S	*	8/2017	Haddad	.....	D9/454
D834,686	S	*	11/2018	Yamada	.....	D23/261
D838,585	S	*	1/2019	Kui	.....	D9/428
D840,760	S	*	2/2019	Carrette	.....	D7/602
D845,705	S	*	4/2019	Simonazzi	.....	D7/400
D852,929	S	*	7/2019	Nelson	.....	D23/209
D876,236	S	*	2/2020	Griffis	.....	D9/452
D891,923	S	*	8/2020	Lin	.....	D9/452
D893,244	S	*	8/2020	Marina	.....	D7/392.1
D899,252	S	*	10/2020	Wang	.....	D9/454
2019/0256252	A1	*	8/2019	Mundy	.....	B65D 21/0228
2019/0300263	A1	*	10/2019	Chiang	.....	B65D 65/466

\* cited by examiner

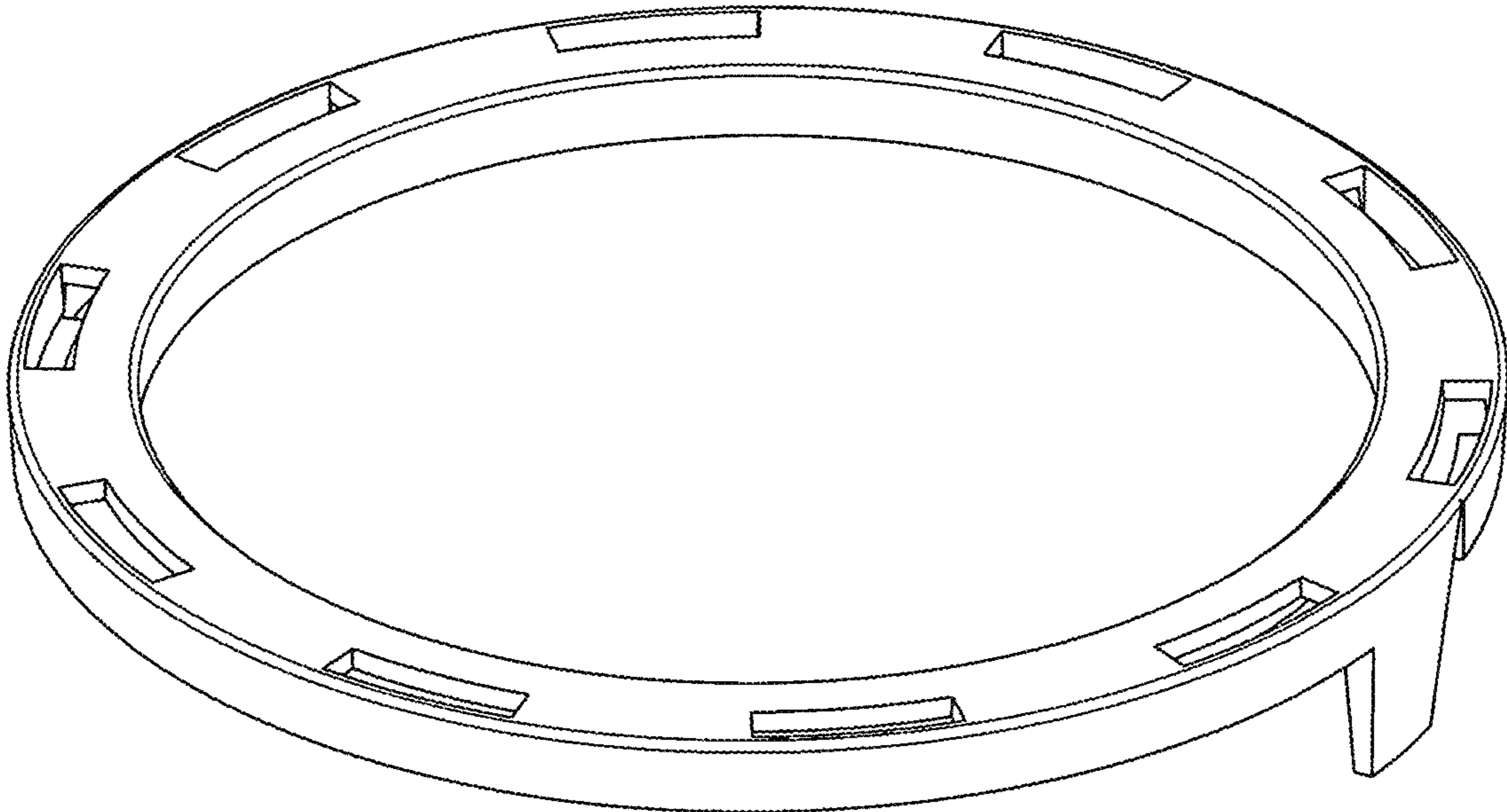


FIG. 1

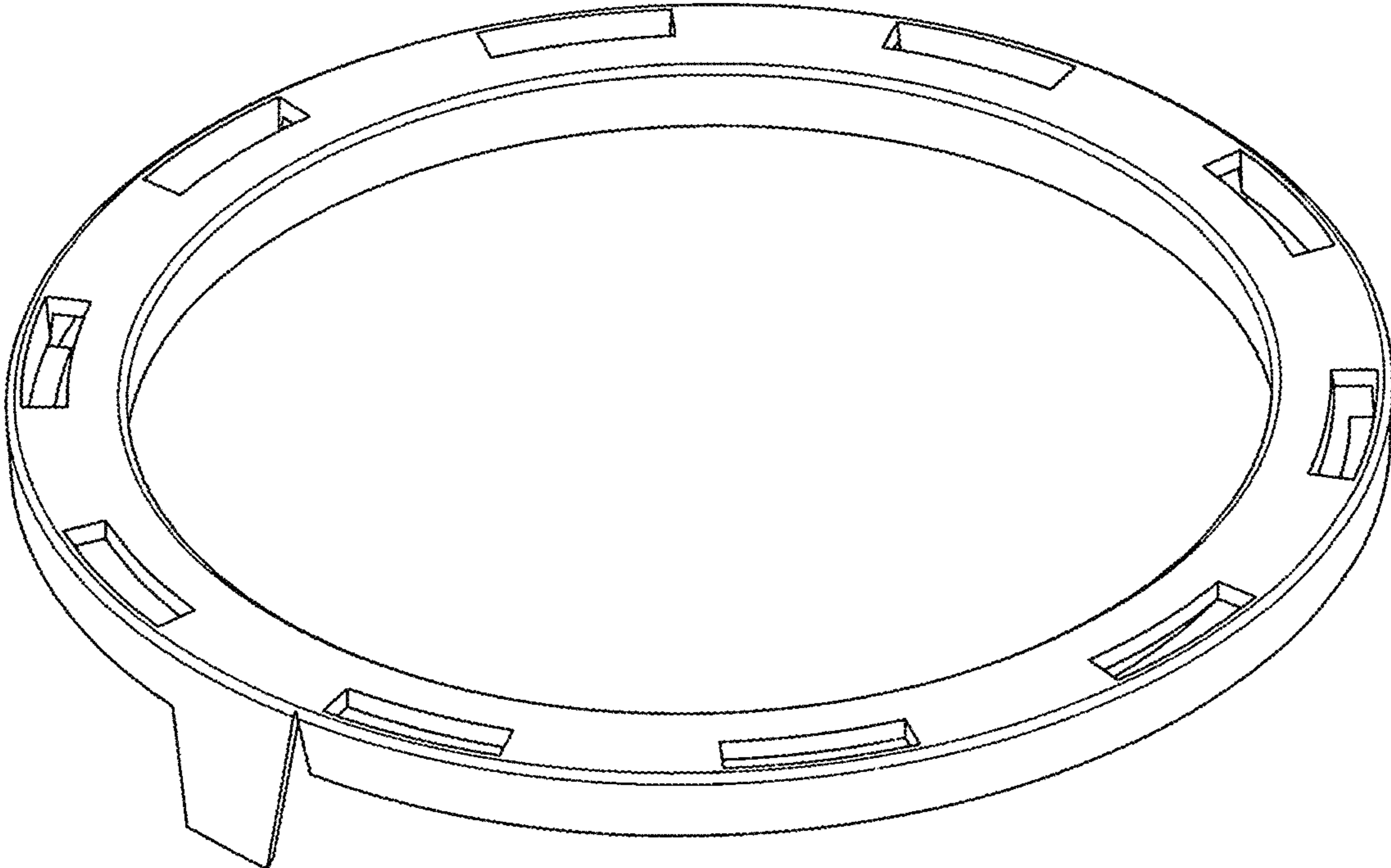


FIG. 2

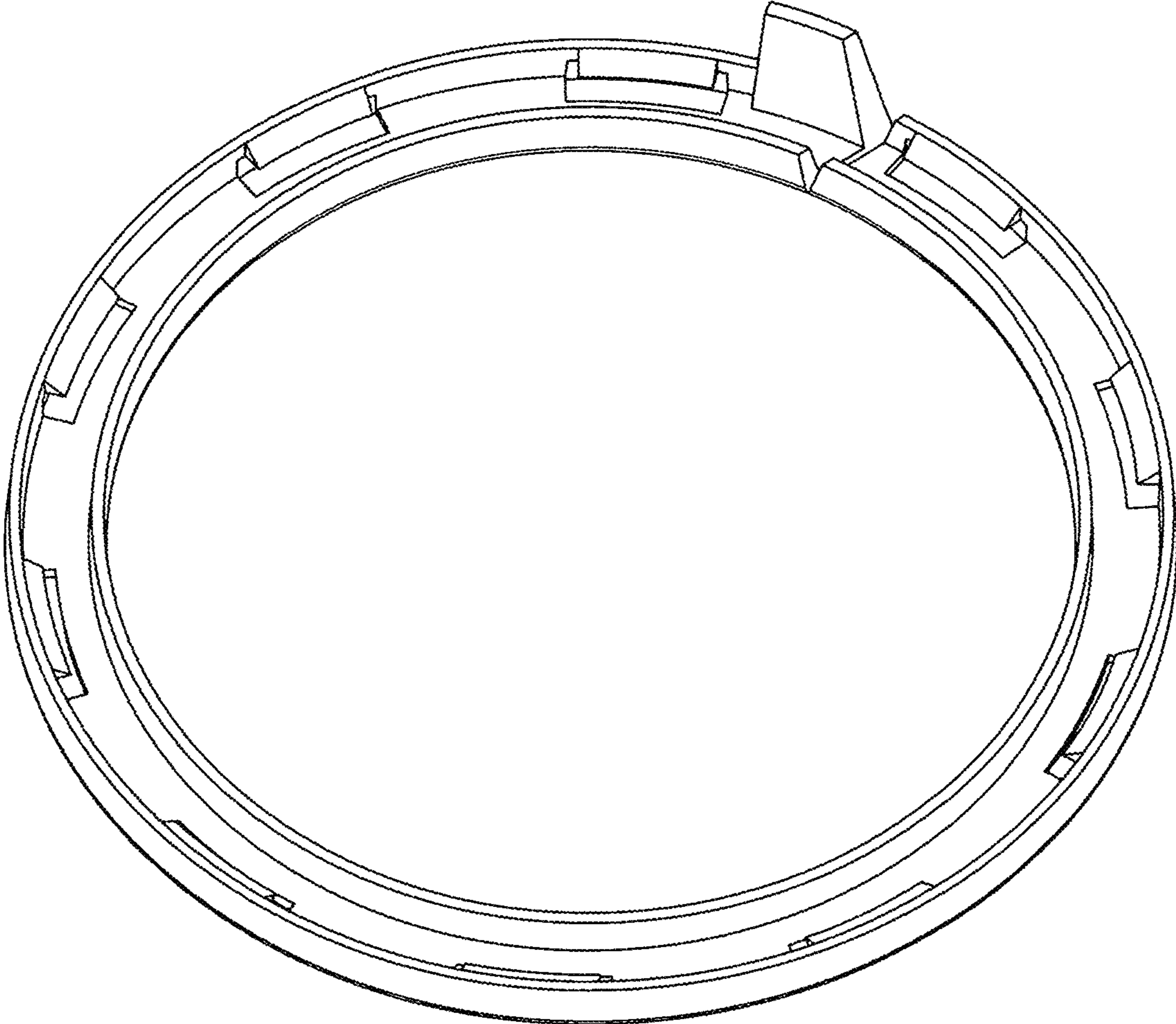


FIG. 3

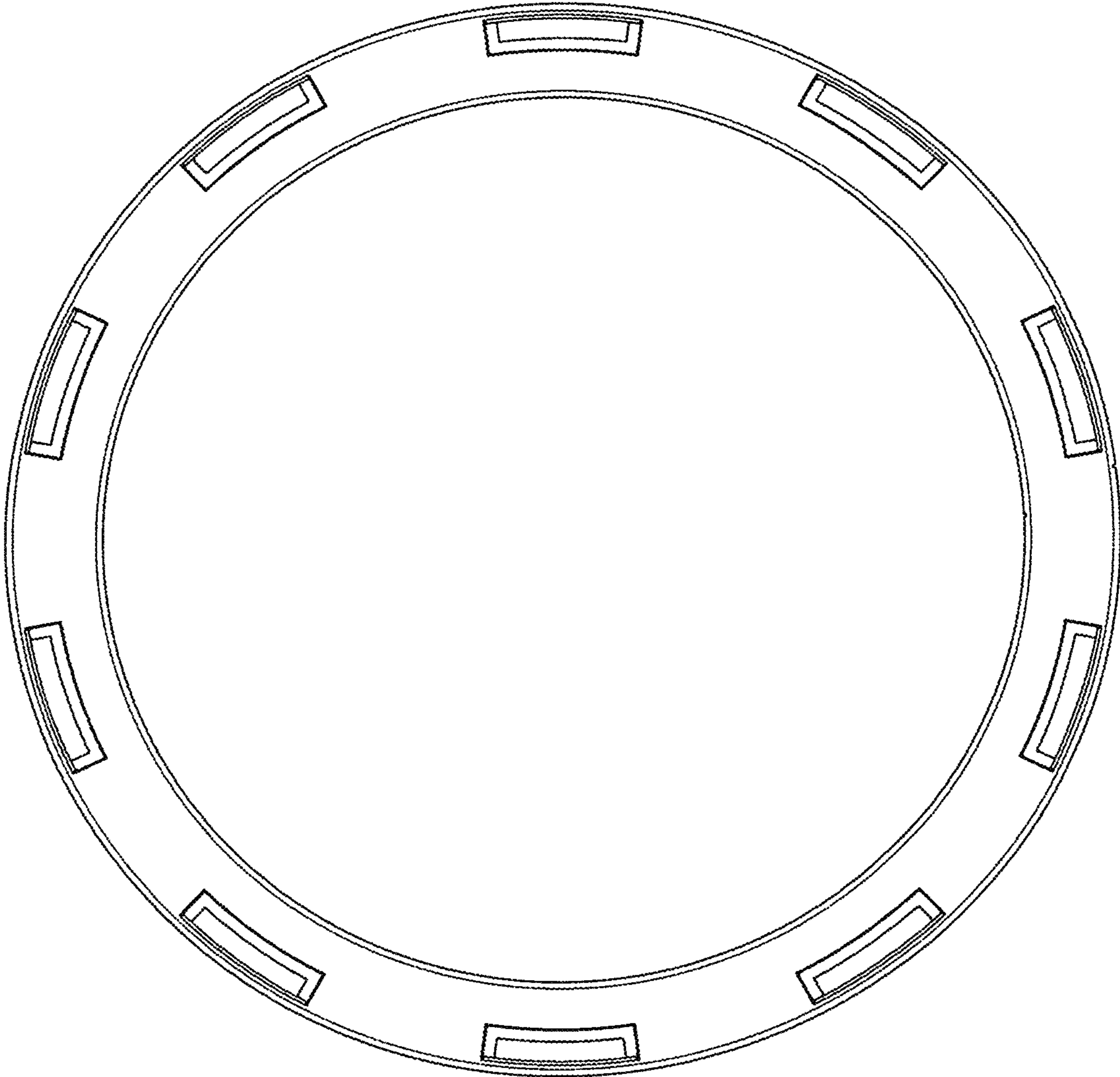


FIG. 4

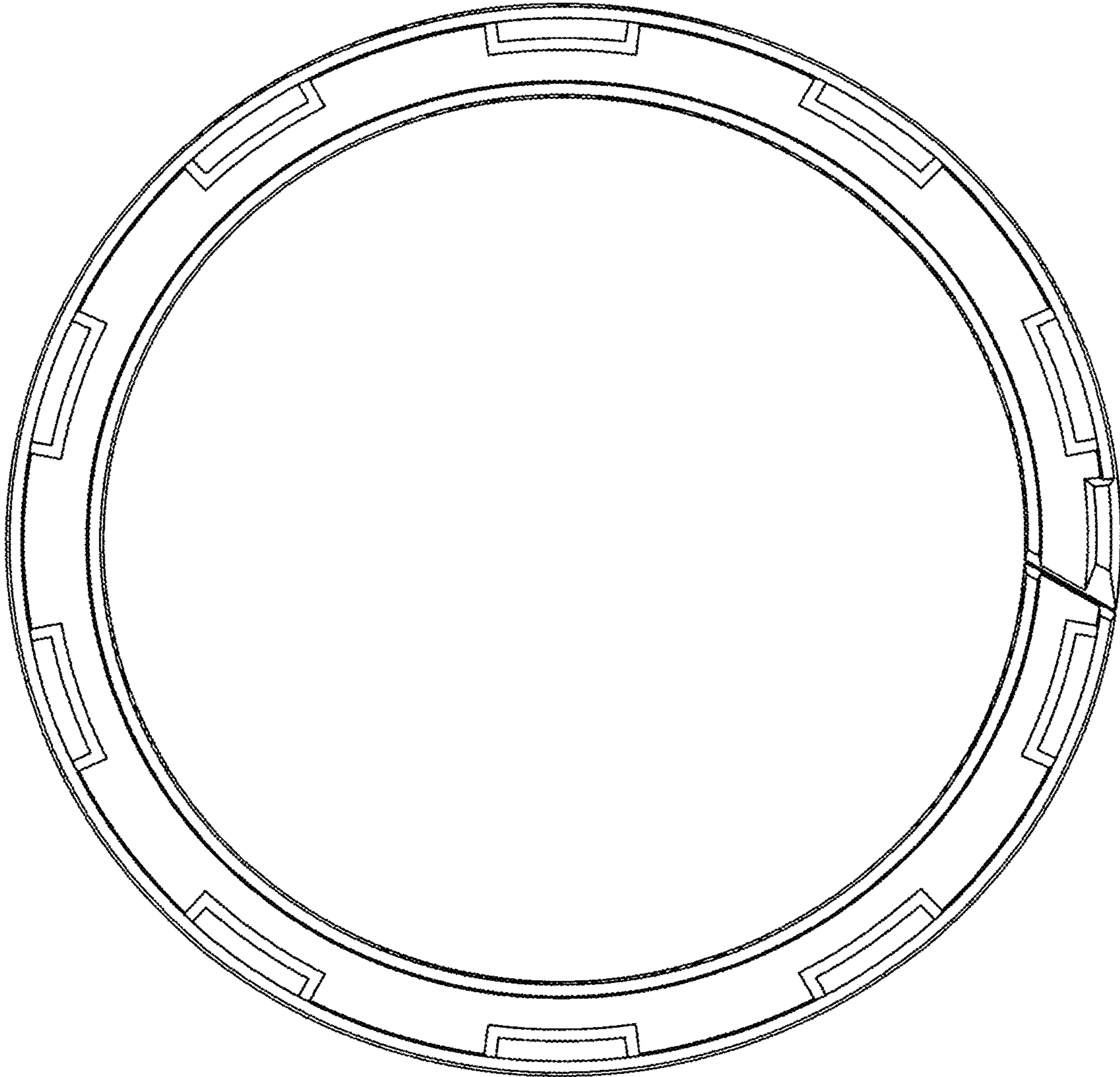


FIG. 5

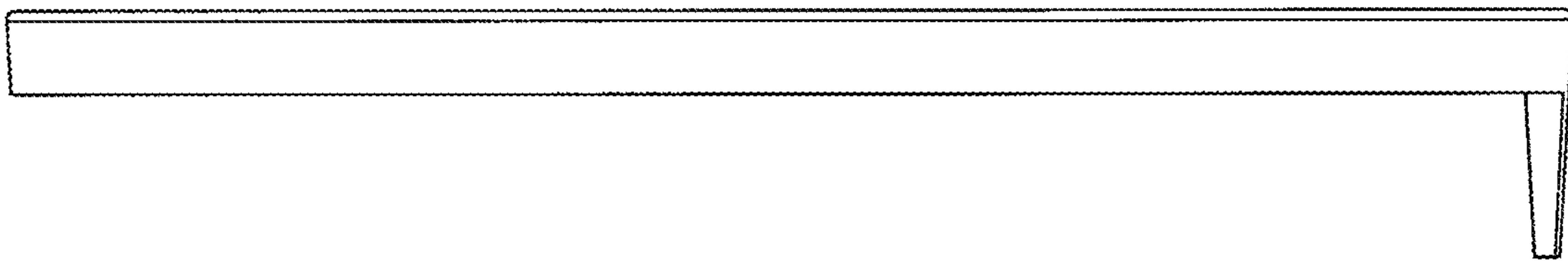


FIG. 6



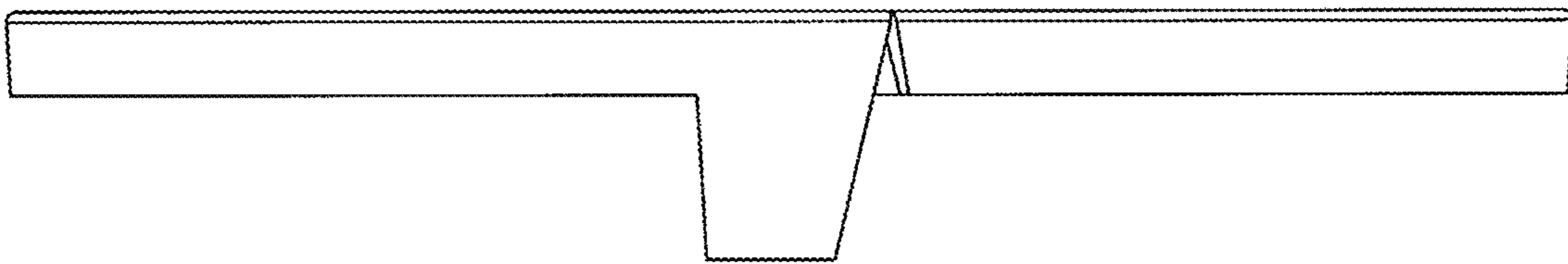


FIG. 7

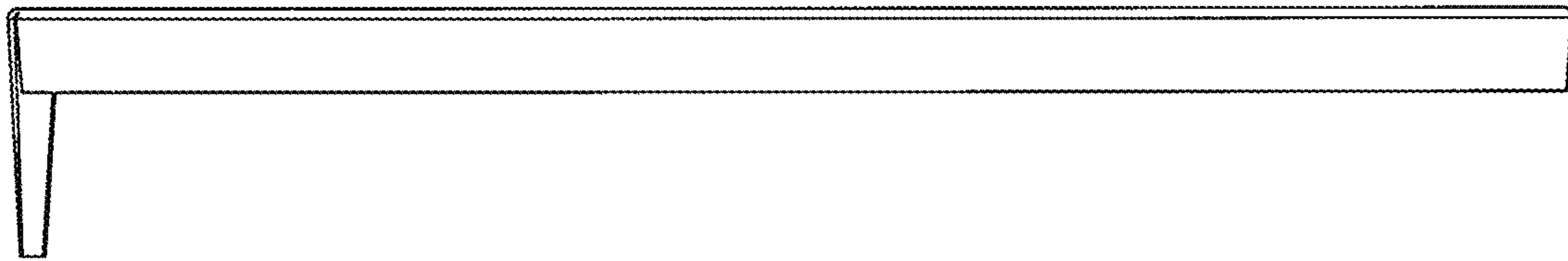


FIG. 8

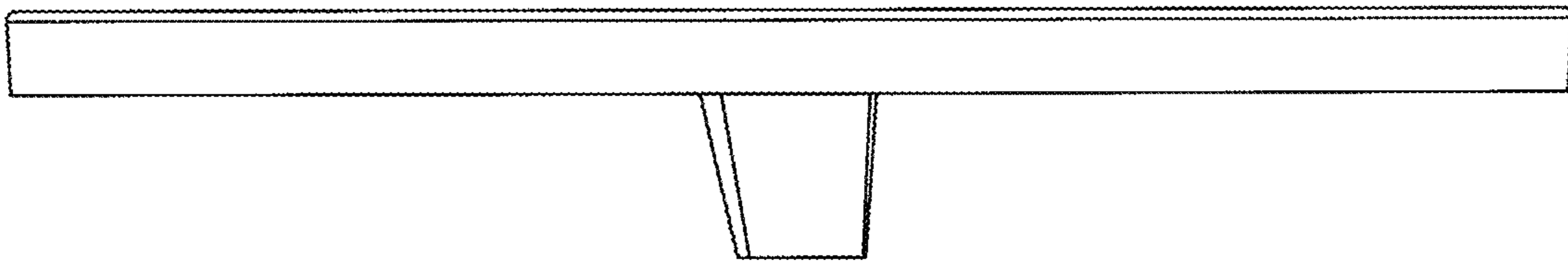


FIG. 9

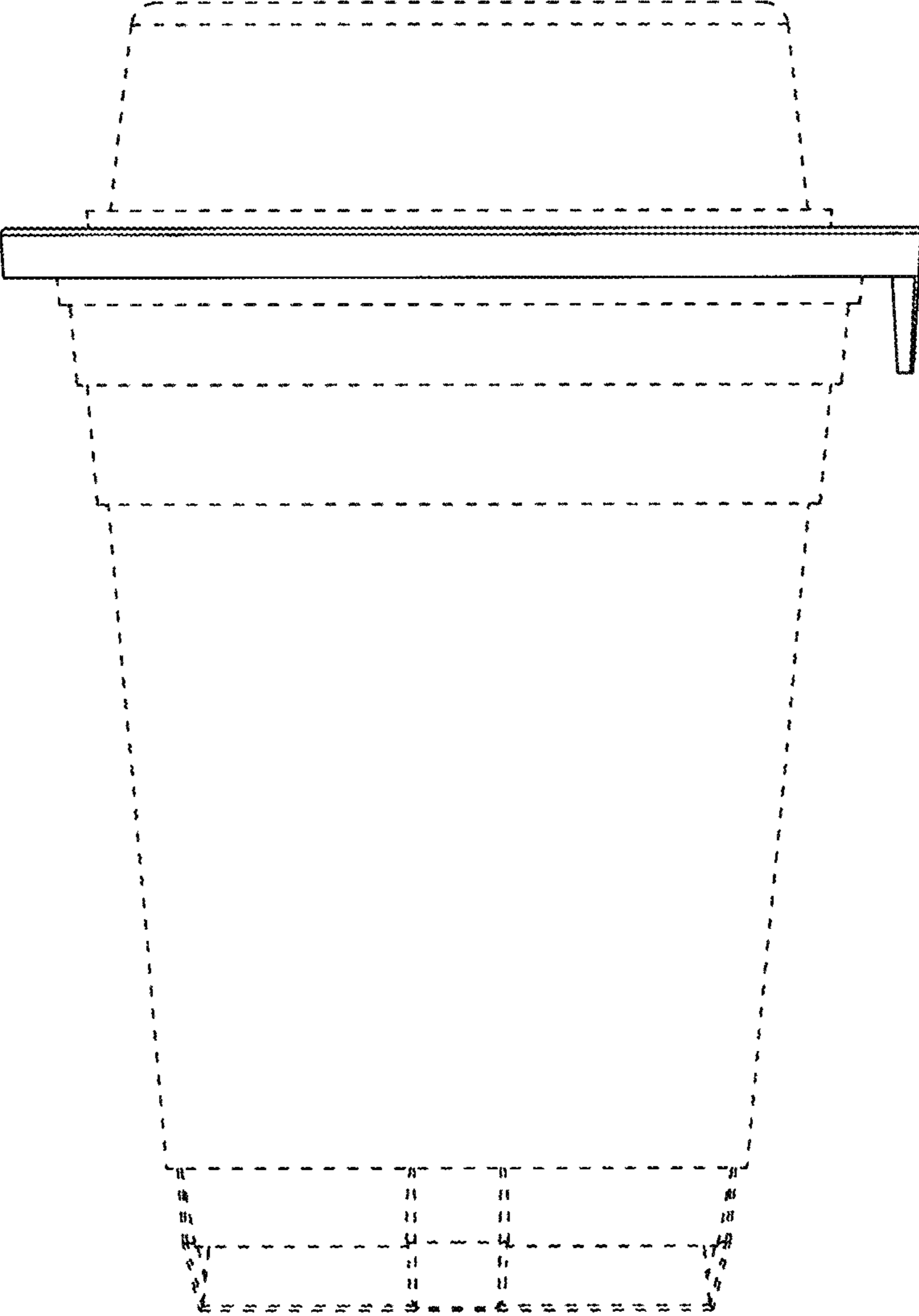


FIG. 10

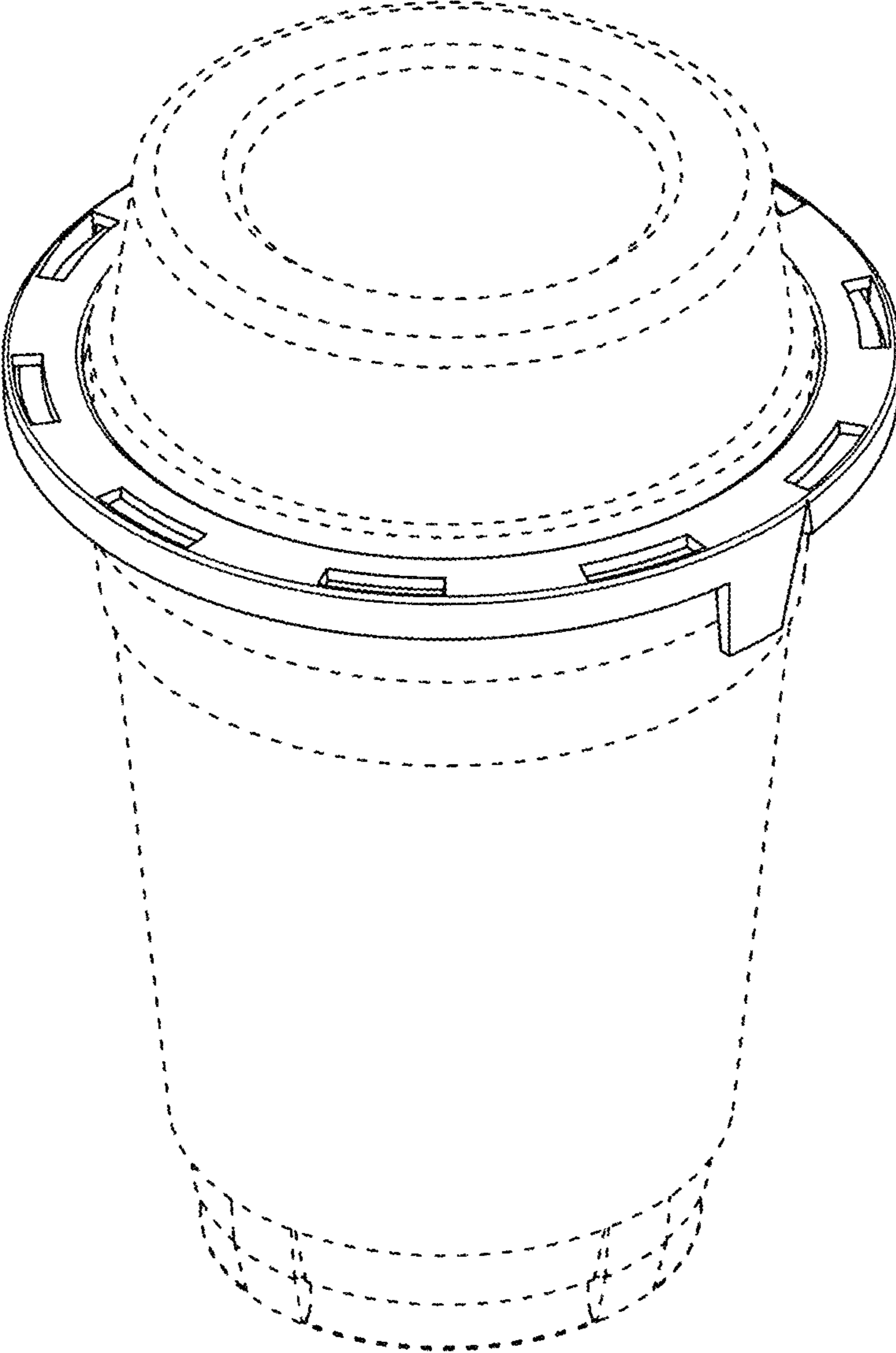


FIG. 11

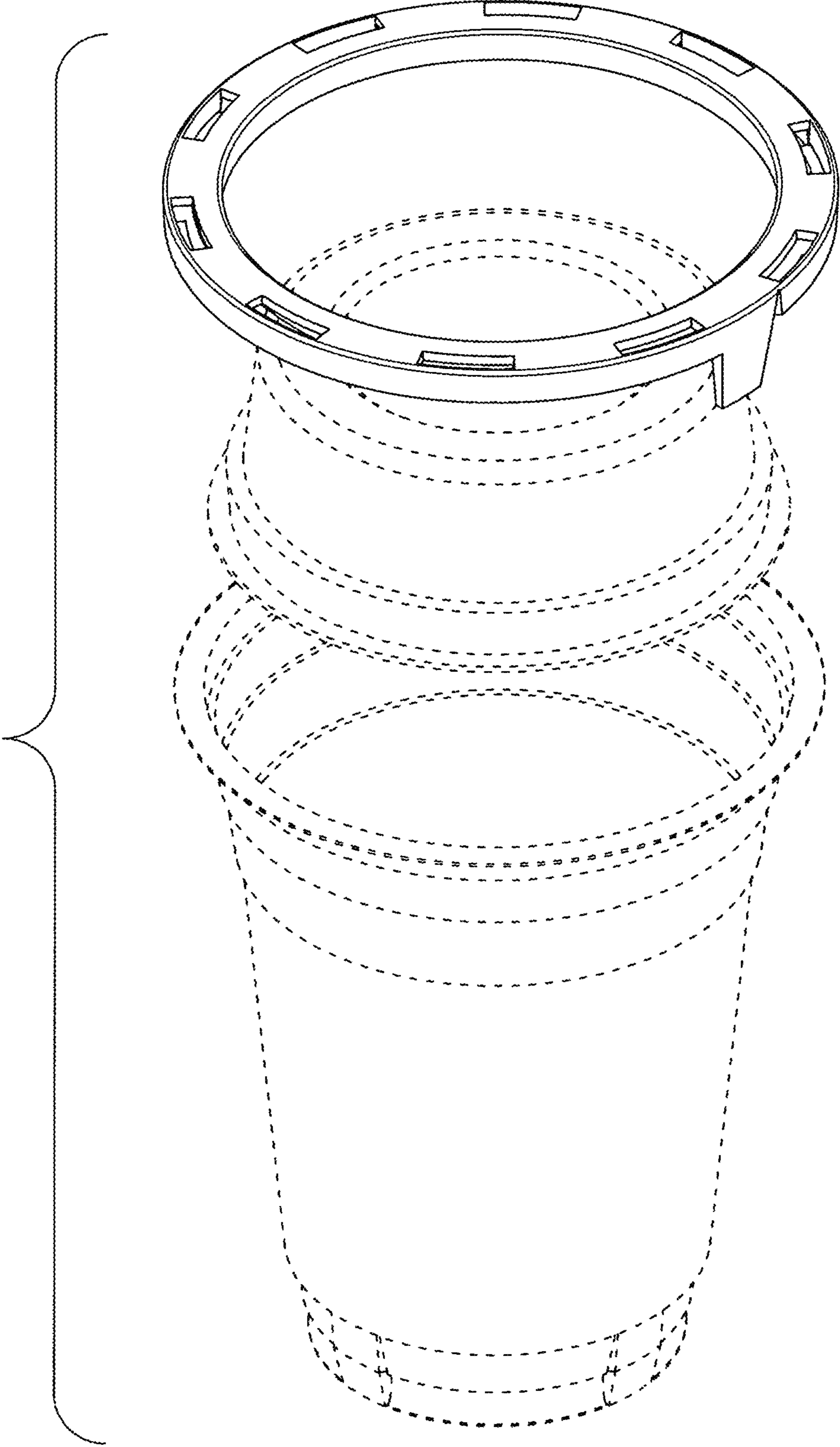


FIG. 12

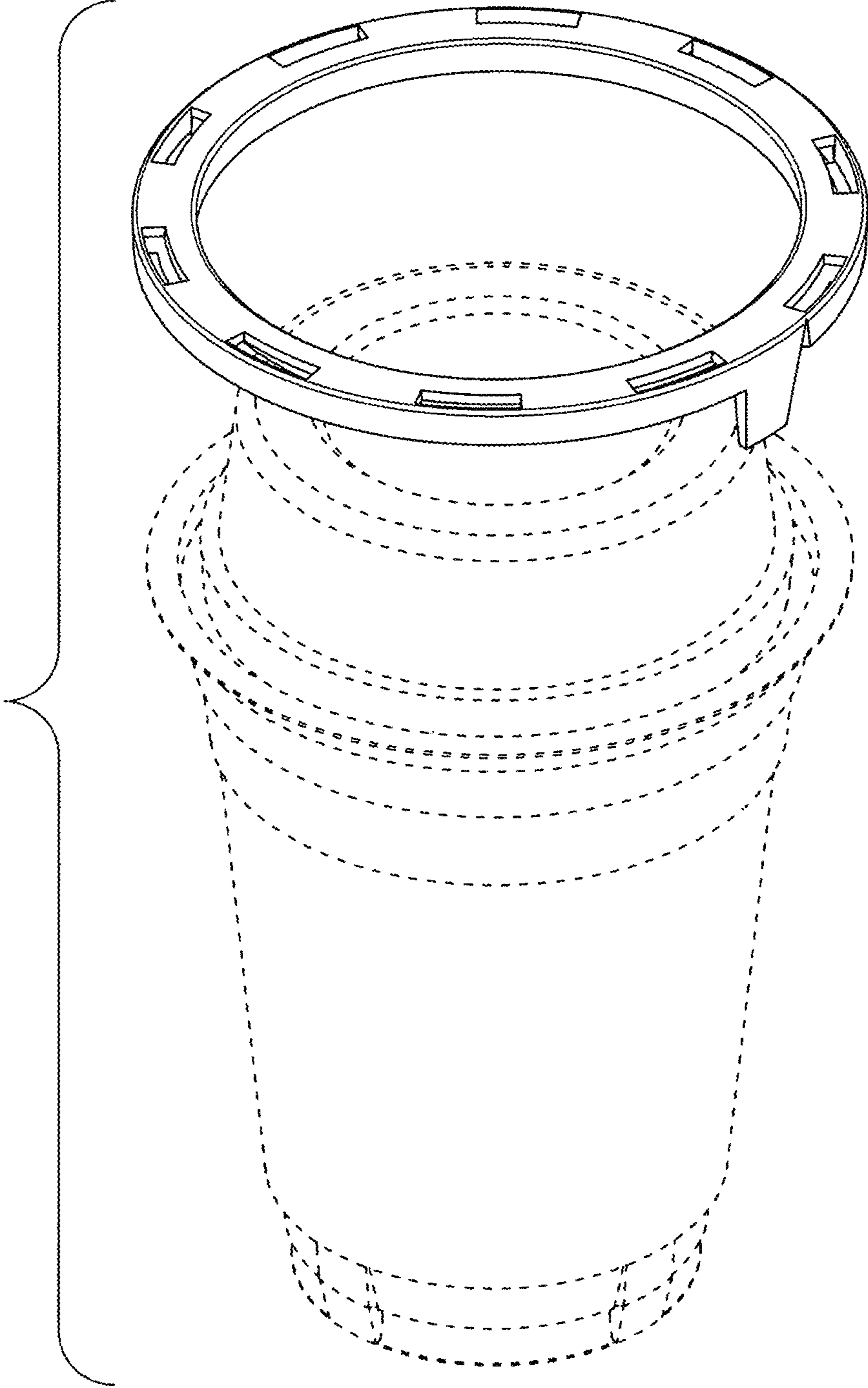


FIG. 13