



US00D934682S

(12) **United States Design Patent** (10) **Patent No.:** **US D934,682 S**
Neputy et al. (45) **Date of Patent:** **** Nov. 2, 2021**

(54) **CLOSURE**

- (71) Applicant: **Silgan White Cap LLC**, Downers Grove, IL (US)
- (72) Inventors: **Darren Neputy**, Palos Hills, IL (US); **Gary Berge**, Crystal Lake, IL (US)
- (73) Assignee: **Silgan White Cap LLC**, Downers Grove, IL (US)
- (**) Term: **15 Years**
- (21) Appl. No.: **29/741,116**
- (22) Filed: **Jul. 9, 2020**

Related U.S. Application Data

- (62) Division of application No. 29/612,640, filed on Aug. 2, 2017, now Pat. No. Des. 892,616.
- (51) **LOC (13) Cl.** **09-07**
- (52) **U.S. Cl.**
USPC **D9/452**
- (58) **Field of Classification Search**
USPC D3/10, 17, 29, 200, 202, 203.1, 207; D7/387, 391, 392, 392.1, 393, 396.1, D7/396.2, 398, 900; D8/300, 303, 321; D9/425, 428, 434, 435, 439, 445, 446, D9/447, 448, 449, 452, 453, 454, 442, D9/500-505, 516, 529, 530, 537, 538, D9/541, 546, 549, 566, 569, 570, D9/692-699, 7, 2-715, 723-729, 745, D9/746, 774; D12/197, 200, 212; D19/96, 162, 163, 187, 194; D23/259, D23/260, 261; D24/111, 112, 127, 196, D24/197, 199, 224; D28/76, 84
CPC B65D 75/5883; B65D 41/3414; B65D 41/00; B65D 41/3447; B65D 2101/0023; B65D 2101/0046; B65D 2213/00; B65D

(Continued)

(56) **References Cited**

U.S. PATENT DOCUMENTS

- D124,384 S 12/1940 Ehrlich
 - D145,010 S 6/1946 Derham
- (Continued)

OTHER PUBLICATIONS

Carafe Closure: Announced Jan. 21, 2019 [online]. Site Visited [Sep. 18, 2019]. Available from Internet URL: <https://www.bevindustry.com/articles/91774-consumer-trends-influence-caps-closures-market>.
(Continued)

Primary Examiner — Catherine S Posthauer

(74) *Attorney, Agent, or Firm* — Reinhart Boerner Van Deuren s.c.

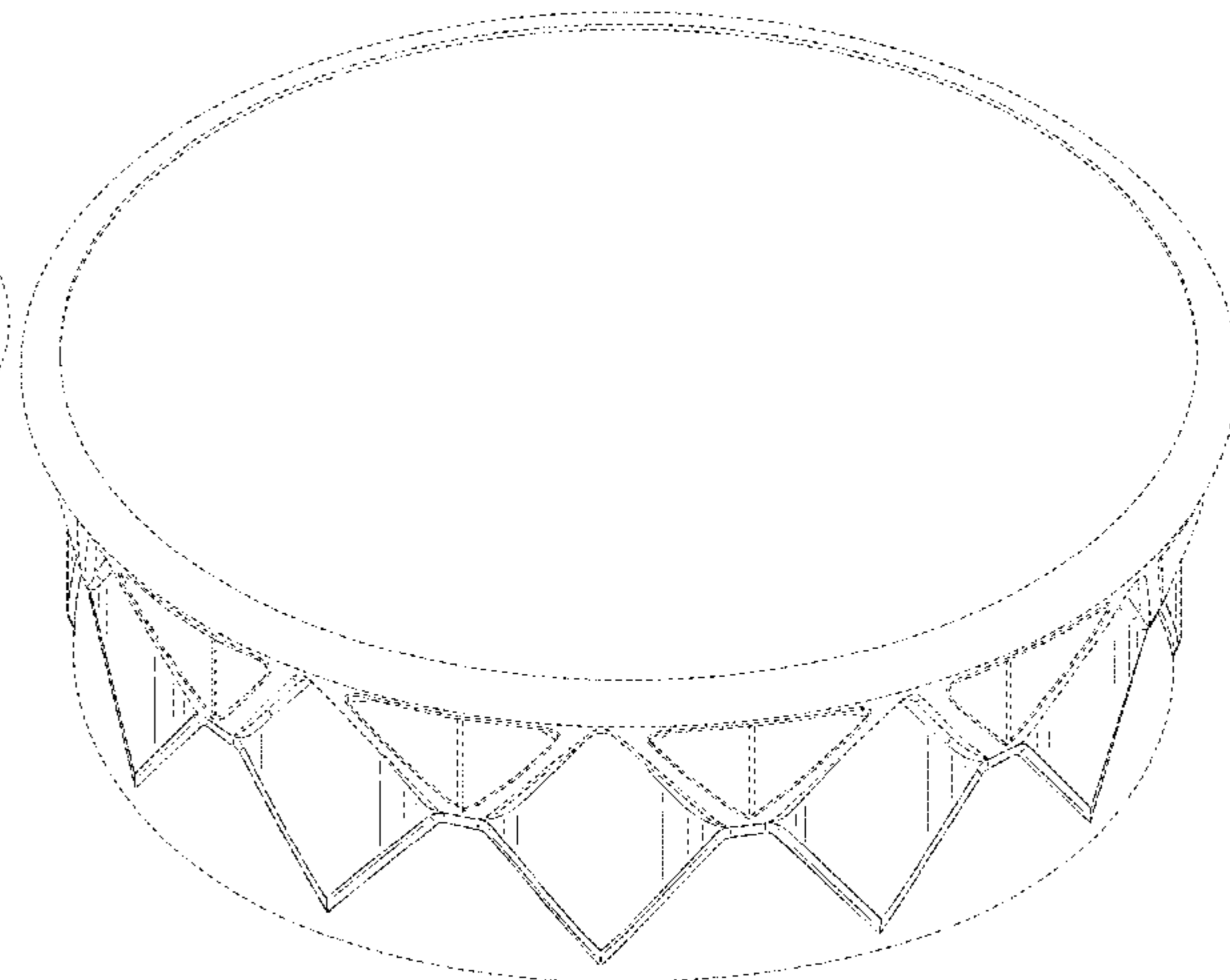
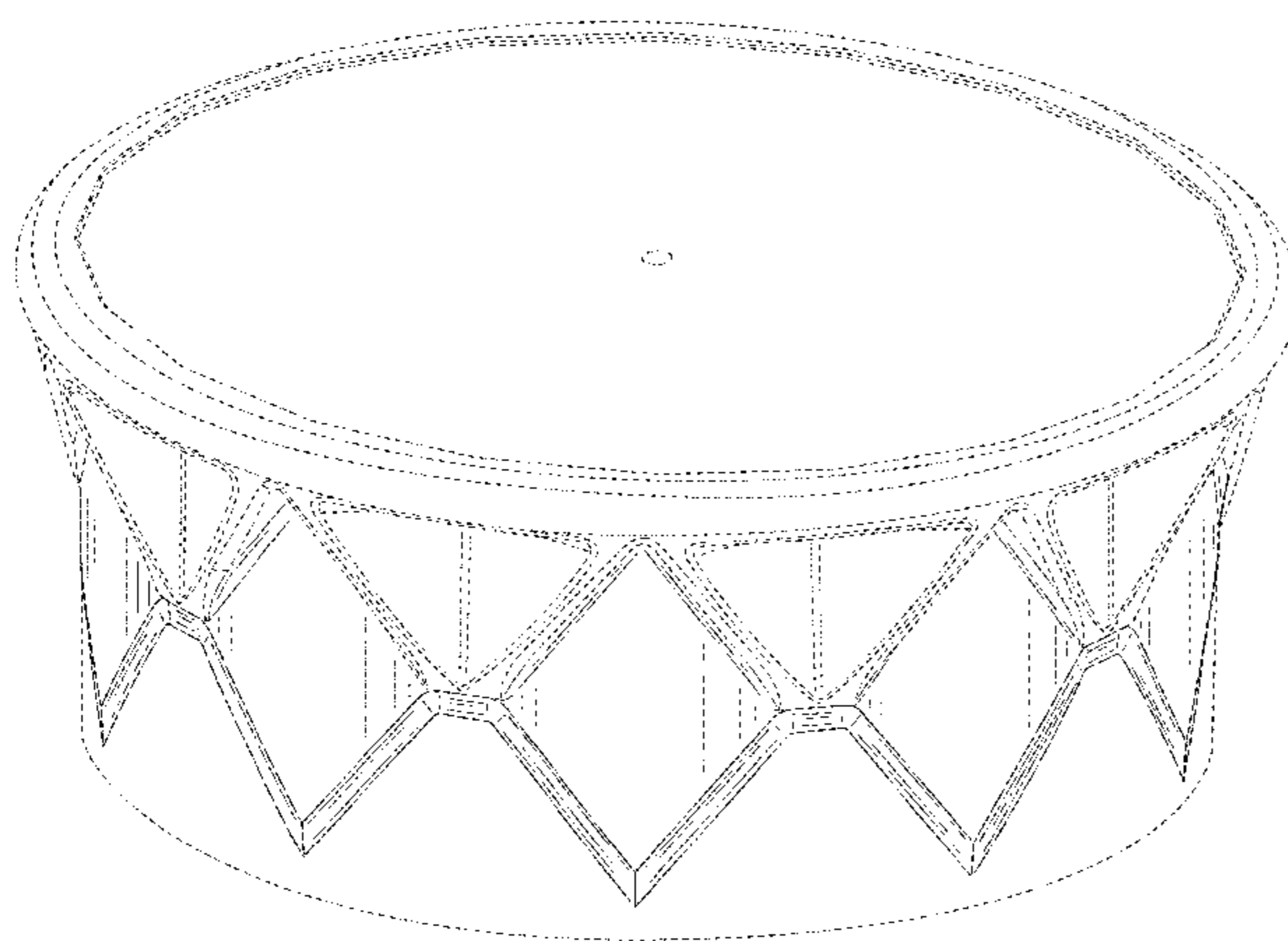
(57) **CLAIM**

We claim the ornamental design for a closure, as shown and described.

DESCRIPTION

FIG. 1 is a top perspective view of another embodiment of the claimed design;
FIG. 2 is a bottom perspective view of FIG. 1;
FIG. 3 is a front view of FIG. 1, the right, back, and left views being largely the same;
FIG. 4 is a top view of FIG. 1;
FIG. 5 is a bottom view of FIG. 1;
FIG. 6 is a top perspective view of another embodiment of the claimed design;
FIG. 7 is a bottom perspective view of FIG. 6;
FIG. 8 is a front view of FIG. 6, the right, back, and left views being largely the same;
FIG. 9 is a top view of FIG. 6; and,
FIG. 10 is a bottom view of FIG. 6.
The claim is directed to the solid line details and the shaded surfaces within. The broken lines are shown for the purpose of illustrating parts of the article that form no part of the claim.

1 Claim, 10 Drawing Sheets



(58) **Field of Classification Search**

CPC .. 81/3272; B65D 85/12; B65D 23/065; B65D
47/066; A45D 2200/05; A45D 2200/051;
A45D 34/00; A45D 34/02; A45D 40/00;
A45D 40/40; A45D 40/0068; A45D
40/0073; A45D 2034/007; A45F 3/16;
A47G 19/2266; A47G 19/2272

See application file for complete search history.

(56) **References Cited**

U.S. PATENT DOCUMENTS

D220,031 S * 3/1971 Donovan D9/429
D244,356 S * 5/1977 Pardo D9/453
4,388,334 A 6/1983 Deveaux
D442,089 S 5/2001 Sadeghi
6,783,014 B2 * 8/2004 Luker B65D 41/0414
215/303
D515,923 S 2/2006 Pitman
D542,656 S * 5/2007 Szczesniak D9/452
D631,349 S 1/2011 Arnell
D633,386 S * 3/2011 Taber D9/453
D634,199 S * 3/2011 Taber D9/453
D634,200 S * 3/2011 Taber D9/453

D639,161 S * 6/2011 Webster D9/452
D673,046 S 12/2012 Clark
D678,771 S 3/2013 Kawamura
D679,185 S 4/2013 Brown
D693,683 S * 11/2013 Ramsey D9/453
D708,950 S 7/2014 Zeid
D711,227 S 8/2014 Sheikh
D756,221 S 5/2016 Koop
D793,154 S 8/2017 Sorensen
D799,962 S 10/2017 Steel
D806,544 S 1/2018 Williams
D813,671 S 3/2018 Arthur, IV
9,938,050 B2 4/2018 Berge
9,981,785 B2 5/2018 Berge
2012/0325769 A1 * 12/2012 Essebagers B65D 51/225
215/256
2015/0129533 A1 5/2015 Taber
2015/0232237 A1 8/2015 Berge

OTHER PUBLICATIONS

Carafe Closure: Announced 2018 [online]. Site Visited [Sep. 18,
2019]. Available from Internet URL: <https://silgancls.com/product/carafe-closures/>.

* cited by examiner

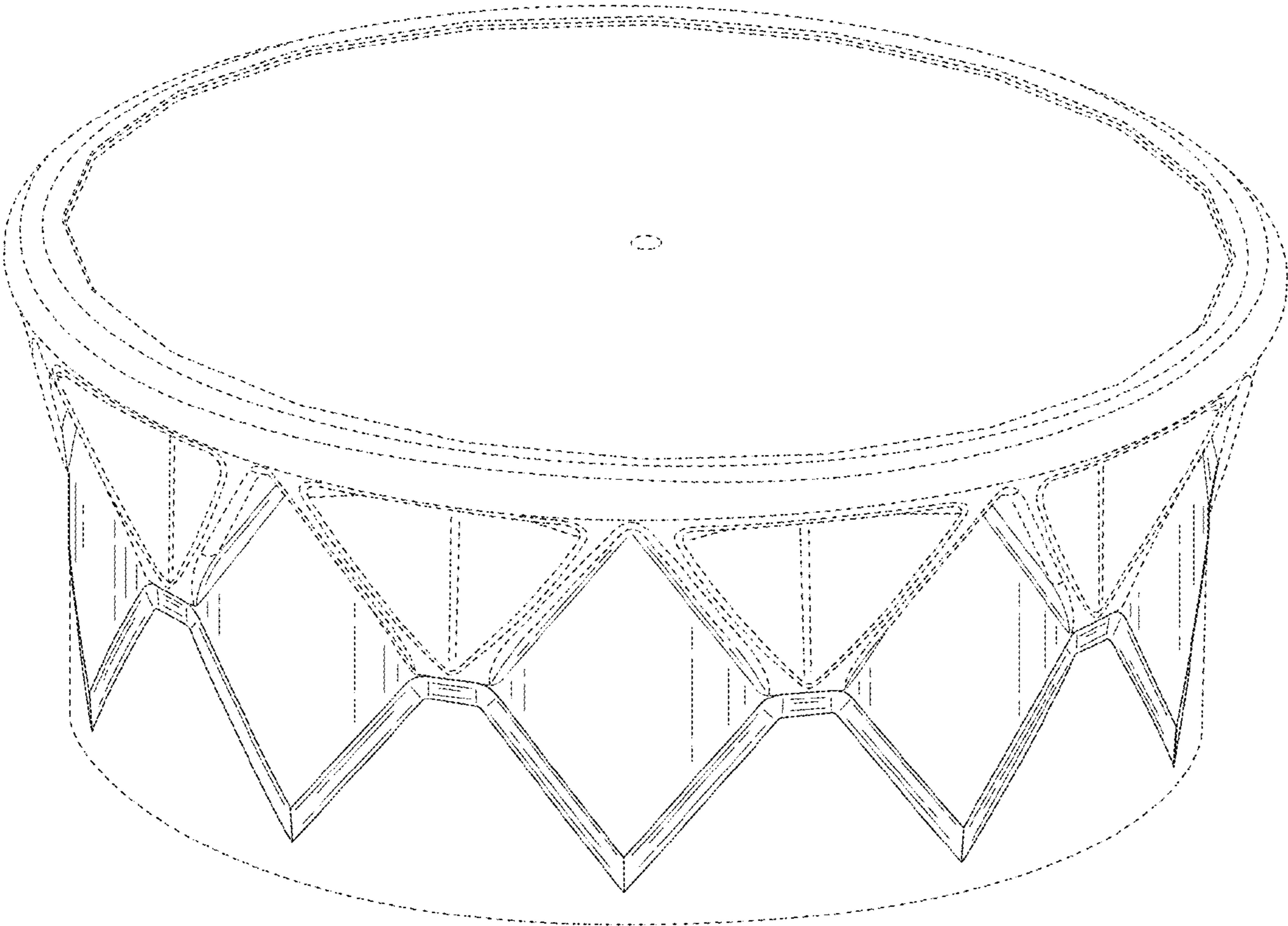


FIG. 1

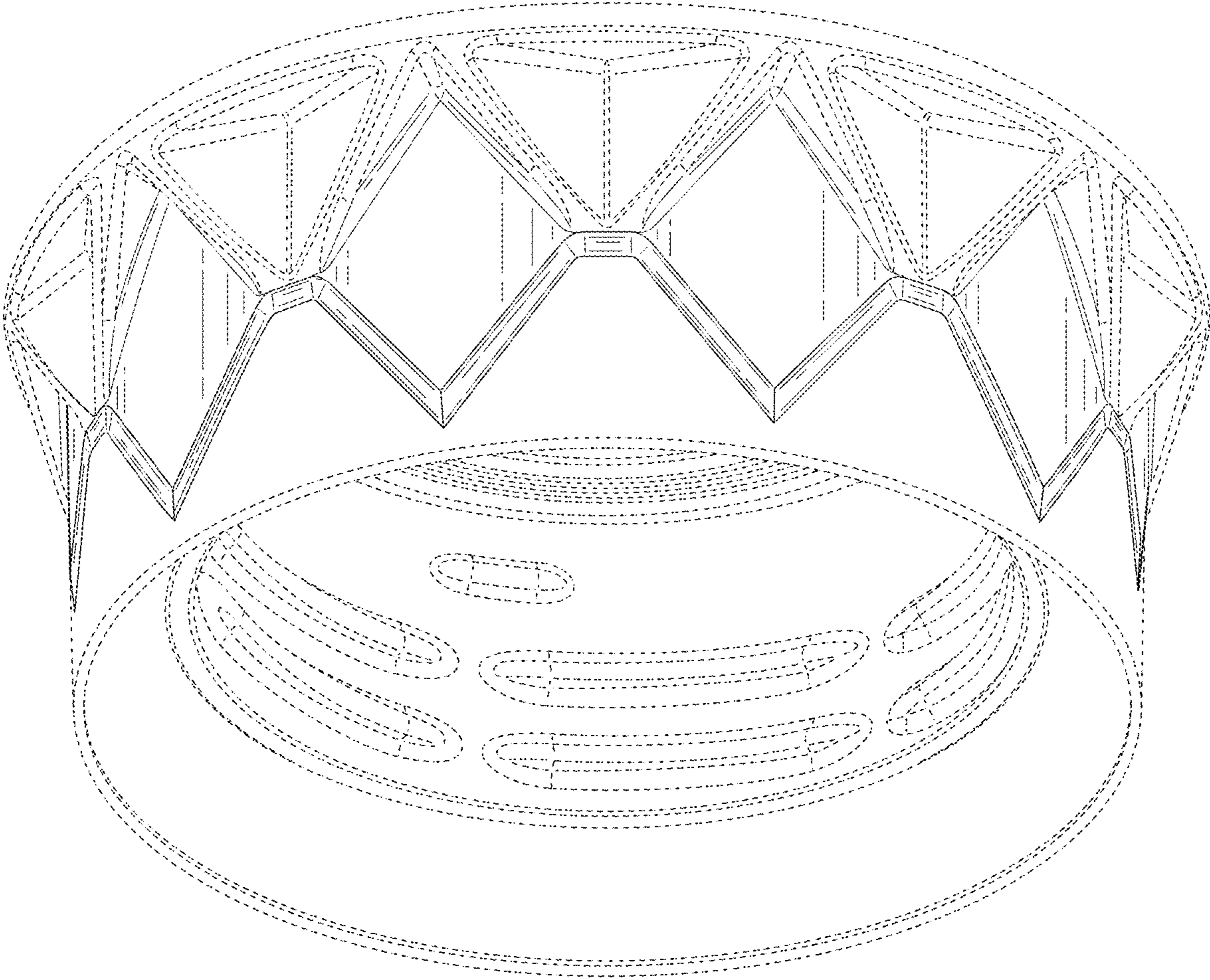


FIG. 2

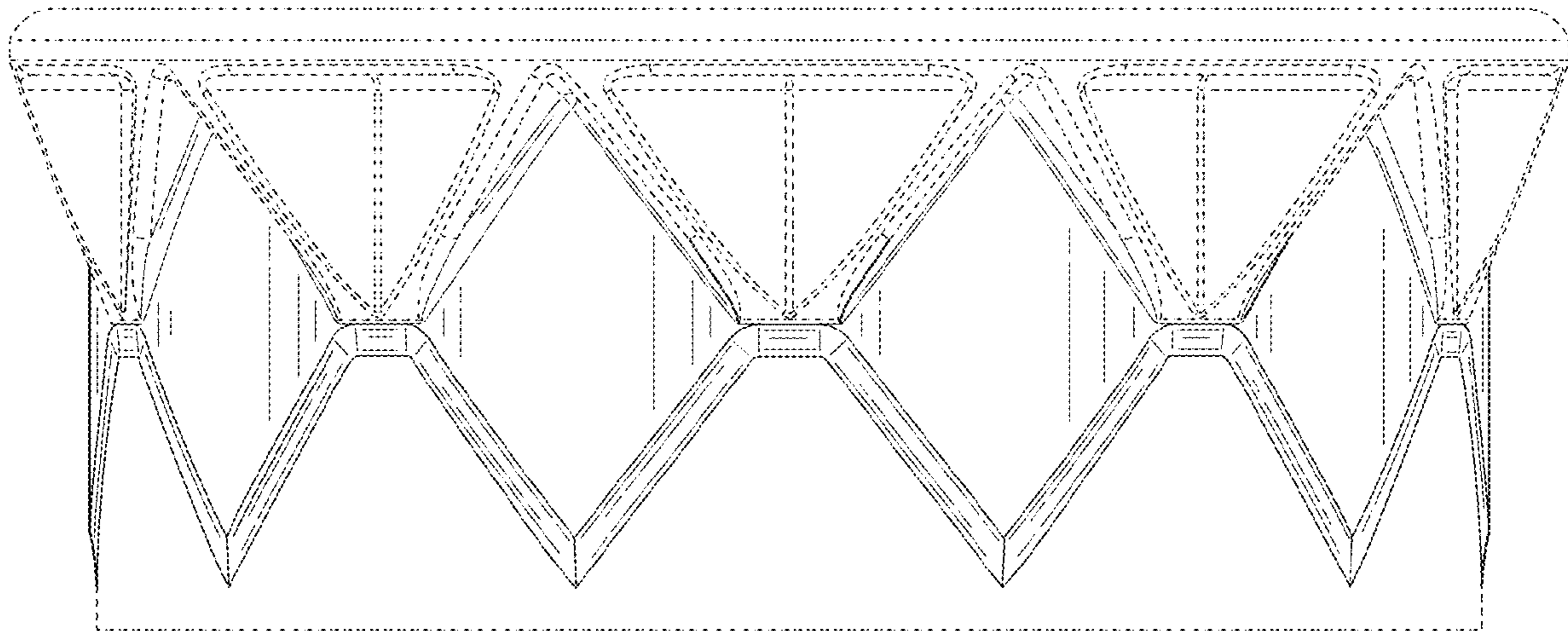


FIG. 3

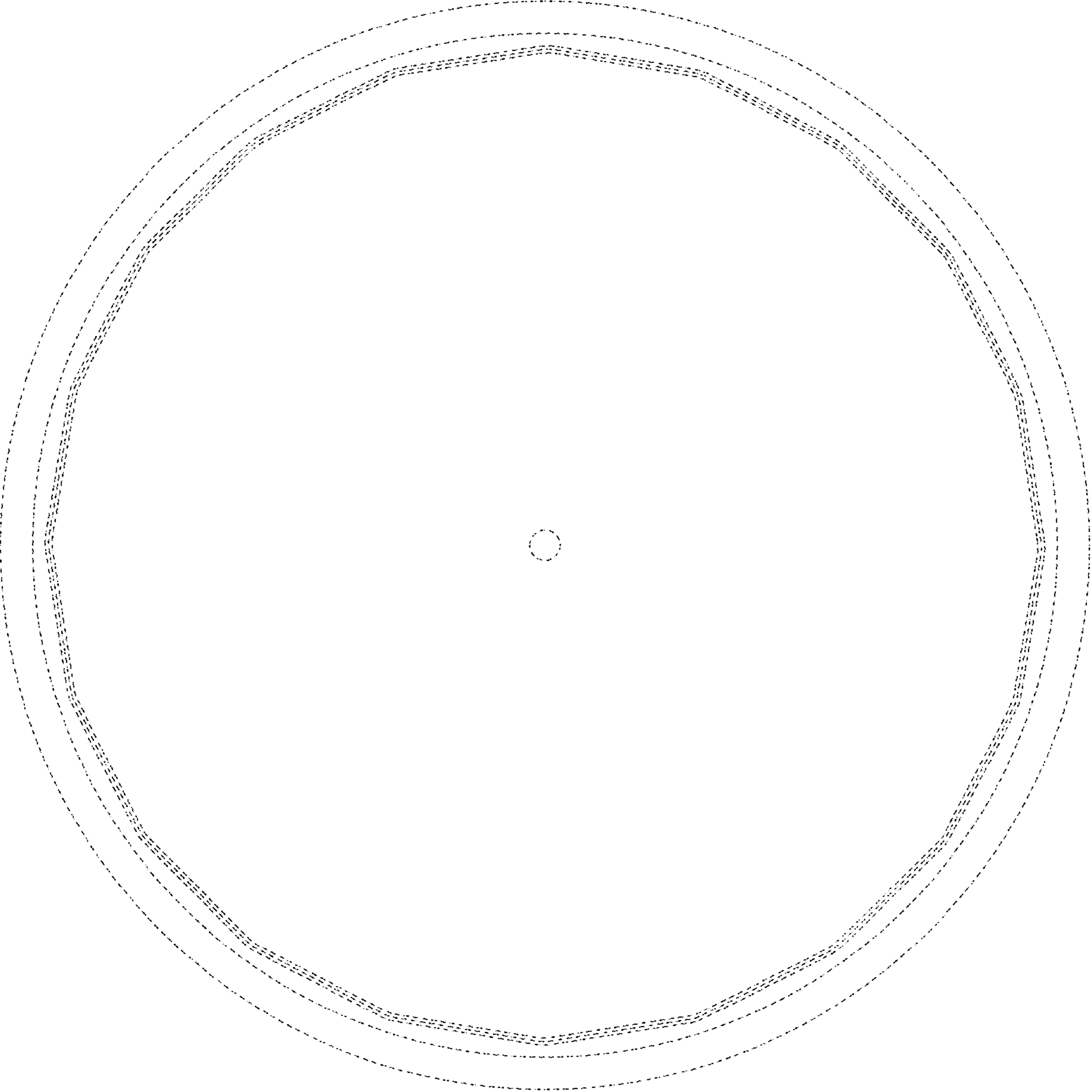


FIG. 4

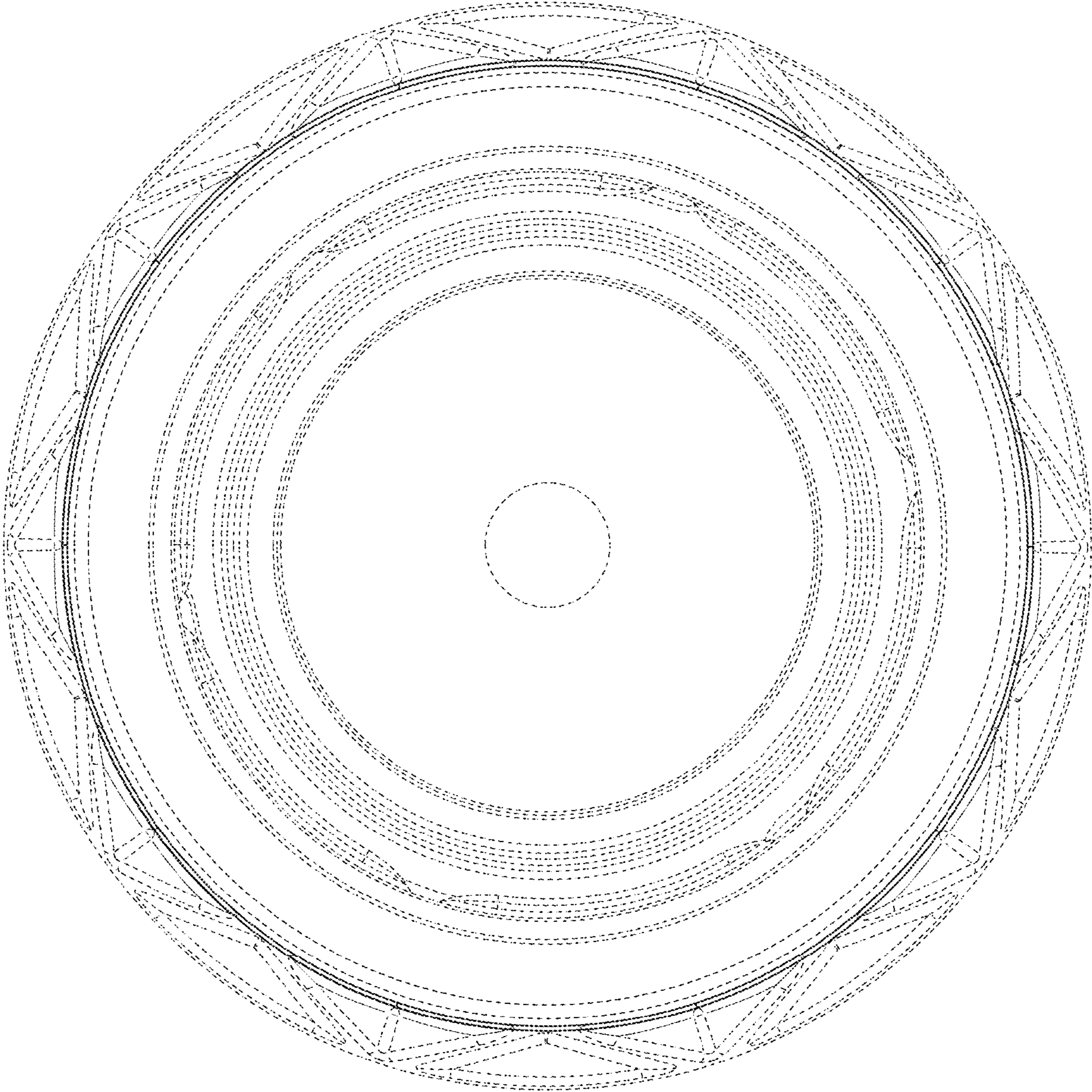


FIG. 5

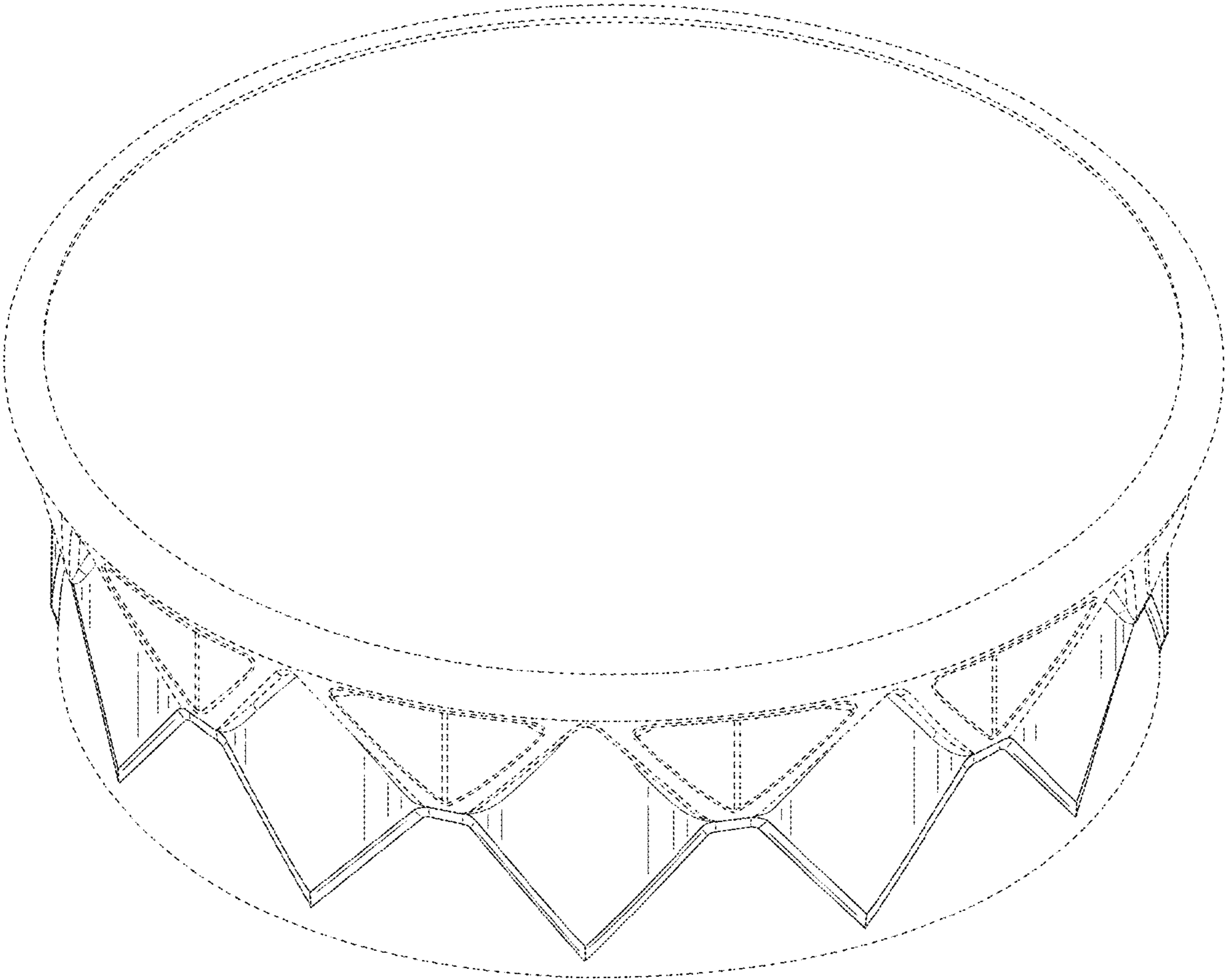


FIG. 6

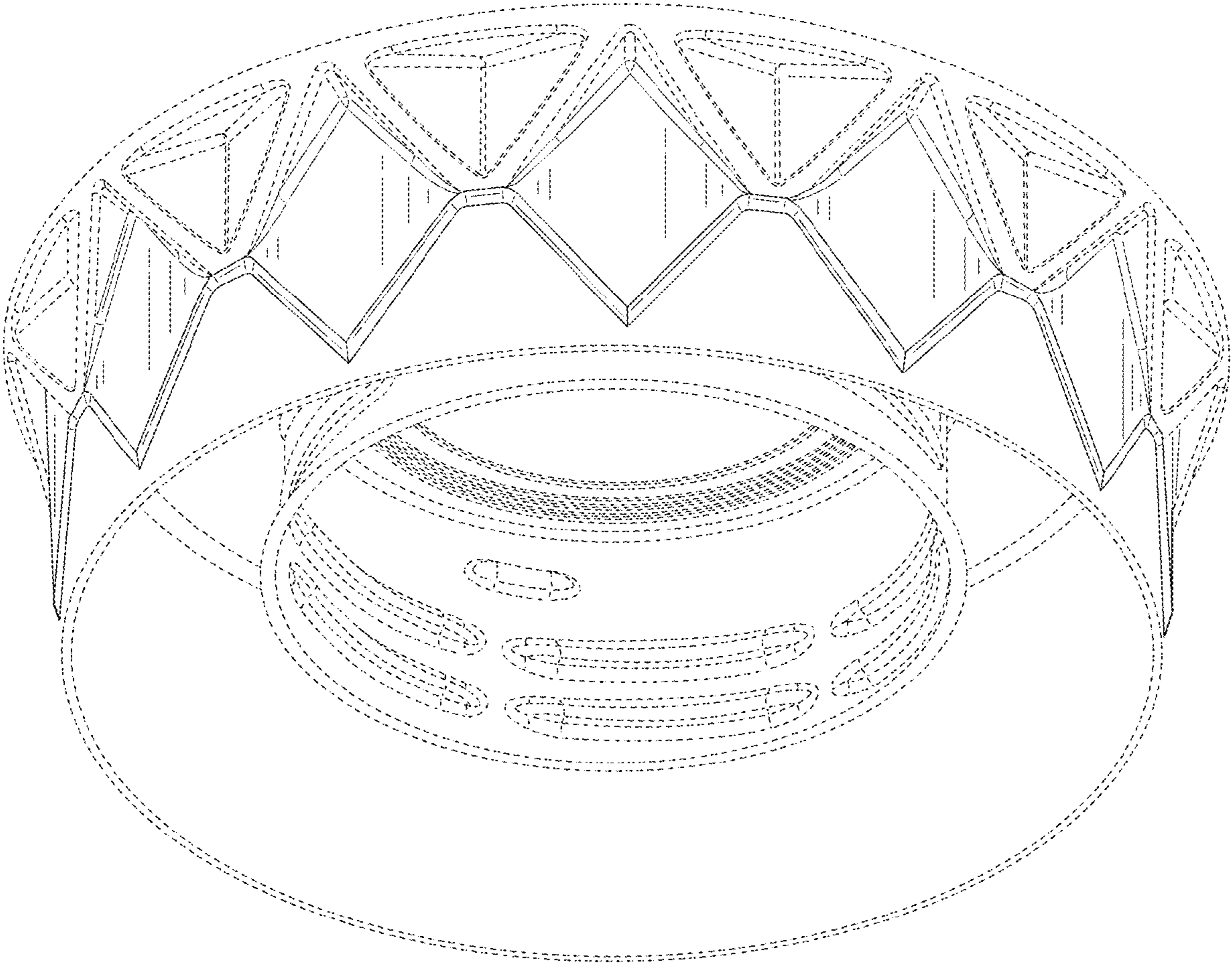


FIG. 7

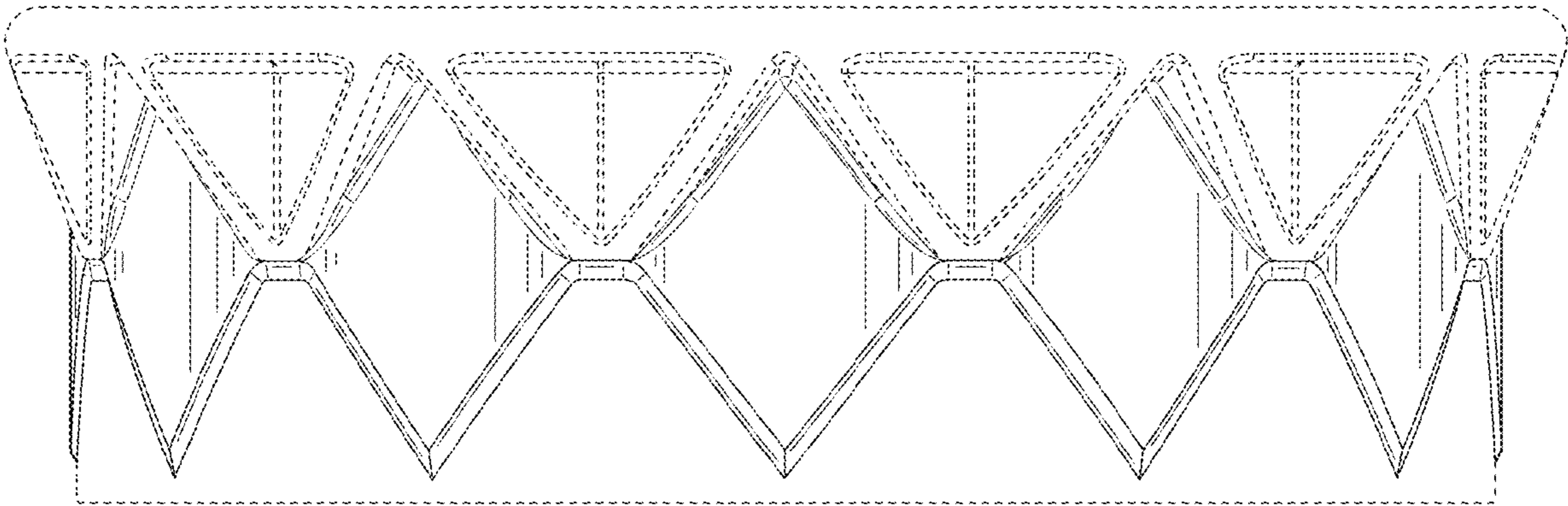


FIG. 8

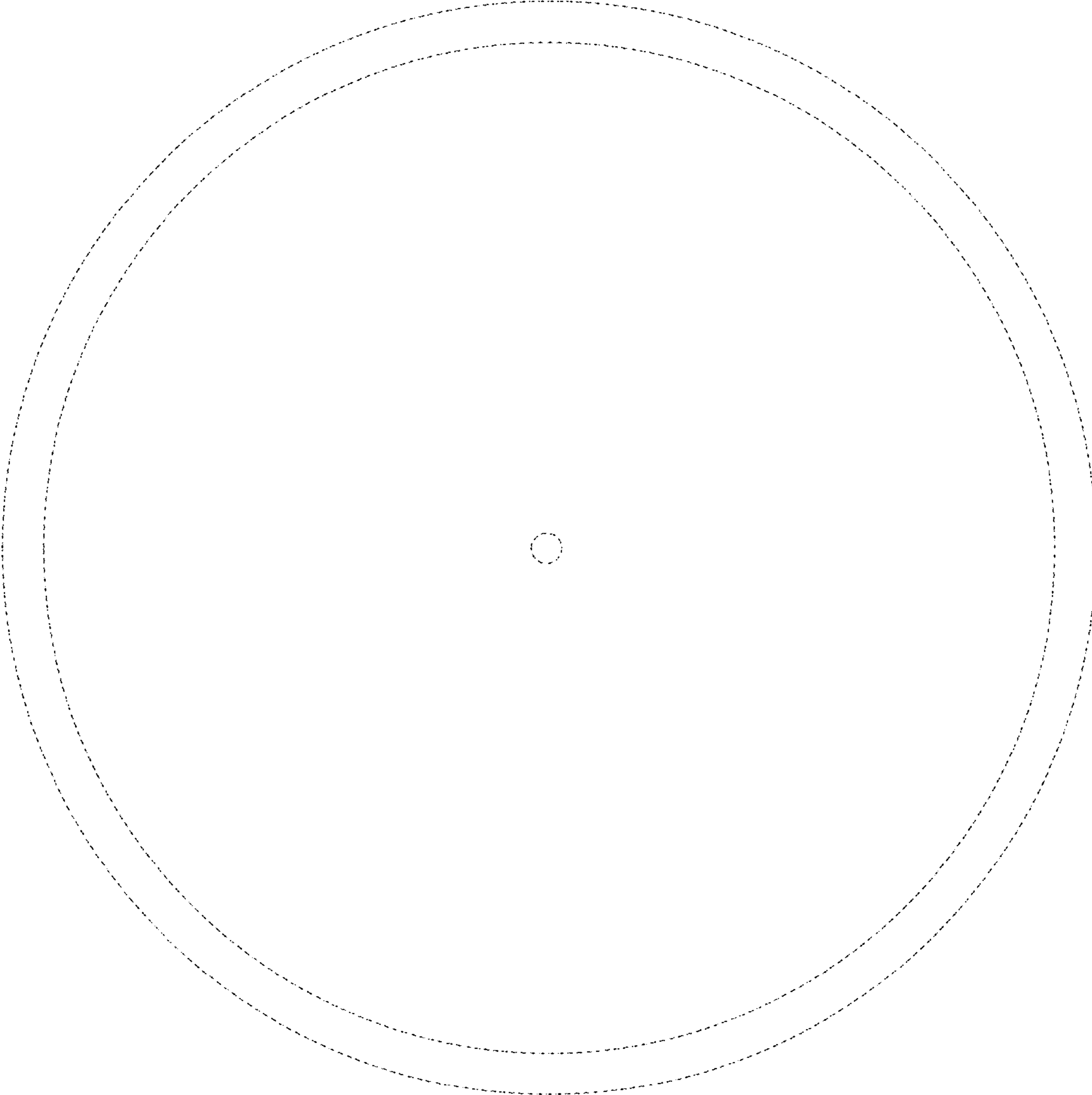


FIG. 9

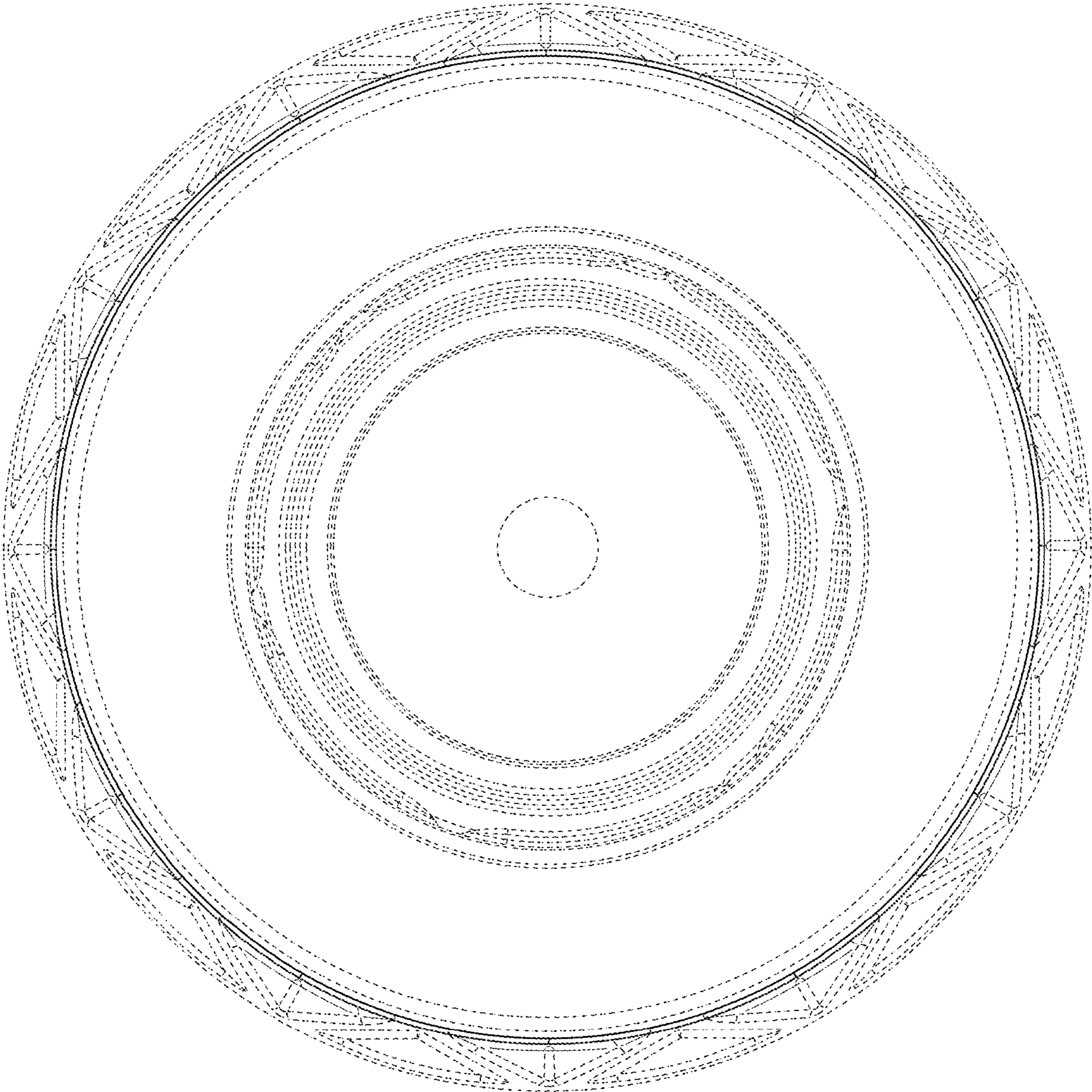


FIG. 10