



US00D934681S

(12) **United States Design Patent** (10) **Patent No.:** **US D934,681 S**
Shimura et al. (45) **Date of Patent:** **** Nov. 2, 2021**

(54) **NOZZLE FOR PACKAGING CONTAINERS**
(71) Applicant: **KAO CORPORATION**, Tokyo (JP)
(72) Inventors: **Yohei Shimura**, Tokyo (JP); **Susumu Fujinami**, Tokyo (JP)
(73) Assignee: **KAO CORPORATION**, Tokyo (JP)
(**) Term: **15 Years**
(21) Appl. No.: **29/715,797**
(22) Filed: **Dec. 4, 2019**
(51) **LOC (13) Cl.** **09-07**
(52) **U.S. Cl.**
USPC **D9/448**
(58) **Field of Classification Search**
USPC D9/434, 435, 439, 440, 442-450,
D9/452-457, 499, 503-505, 682, 685,
D9/686; D7/387, 391, 392, 392.1, 396.1,
D7/396.2, 507, 509-511, 538, 900;
D3/202, 203.2, 294, 318; D28/91, 91.1
CPC .. A61J 1/00; A61J 1/1412; B65D 1/00; B65D
1/02; B65D 1/10; B65D 1/46; B65D
5/46; B65D 41/00; B65D 41/38; B65D
41/56; B65D 41/62; B65D 47/00; B65D
47/06; B65D 47/08; B65D 2251/00;
B65D 2543/00046; B65D 2543/00092;
B65D 2543/00296
See application file for complete search history.

(56) **References Cited**
U.S. PATENT DOCUMENTS
D404,294 S * 1/1999 De Baschmakoff D9/682
D445,685 S * 7/2001 De Baschmakoff D9/448
D474,256 S * 5/2003 Hubmann D23/213
D513,387 S * 1/2006 Limbert D9/682
D524,639 S * 7/2006 Paas D9/686

D536,970 S * 2/2007 Shannan D9/448
D659,533 S * 5/2012 Taylor D9/448
D659,534 S * 5/2012 Taylor D9/448
D755,046 S * 5/2016 Bramwell D9/448
D873,662 S * 1/2020 Tada D9/448
D874,215 S * 2/2020 Hansen D7/392
D886,515 S * 6/2020 Eyal D7/392.1
2016/0193617 A1* 7/2016 Tada B05B 11/3057
222/324

* cited by examiner

Primary Examiner — Wendy L Arminio
(74) Attorney, Agent, or Firm — Oblon, McClelland,
Maier & Neustadt, L.L.P.

(57) **CLAIM**

The ornamental design for a nozzle for packaging contain-
ers, as shown and described.

DESCRIPTION

FIG. 1 is a front, top and left side perspective view of a
nozzle for packaging containers,
FIG. 2 is a rear, top and right side perspective view thereof,
FIG. 3 is a front elevational view thereof,
FIG. 4 is a rear elevational view thereof,
FIG. 5 is a left side elevational view thereof,
FIG. 6 is a right side elevational view thereof,
FIG. 7 is a top plan view thereof,
FIG. 8 is a bottom plan view thereof; and,
FIG. 9 is a reference view thereof showing the nozzle for
packaging containers in a position of use on an unclaimed
packaging container drawn in broken lines.
The broken lines in FIG. 9 illustrating a packaging container
depict environment and form no part of the claimed design.
All other broken lines depict portions of the nozzle for
packaging containers that form no part of the claimed
design.

1 Claim, 7 Drawing Sheets

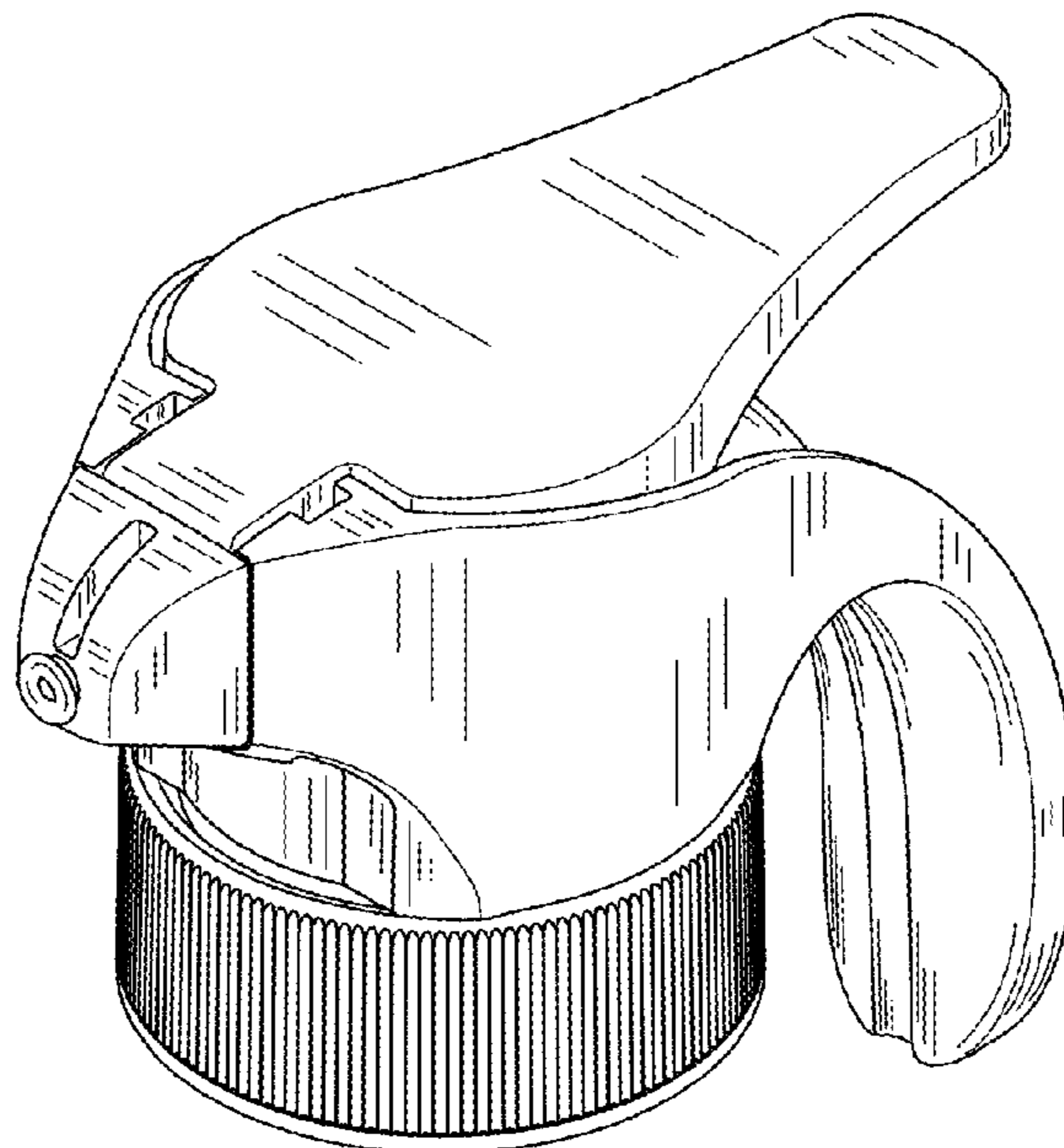


Fig. 1

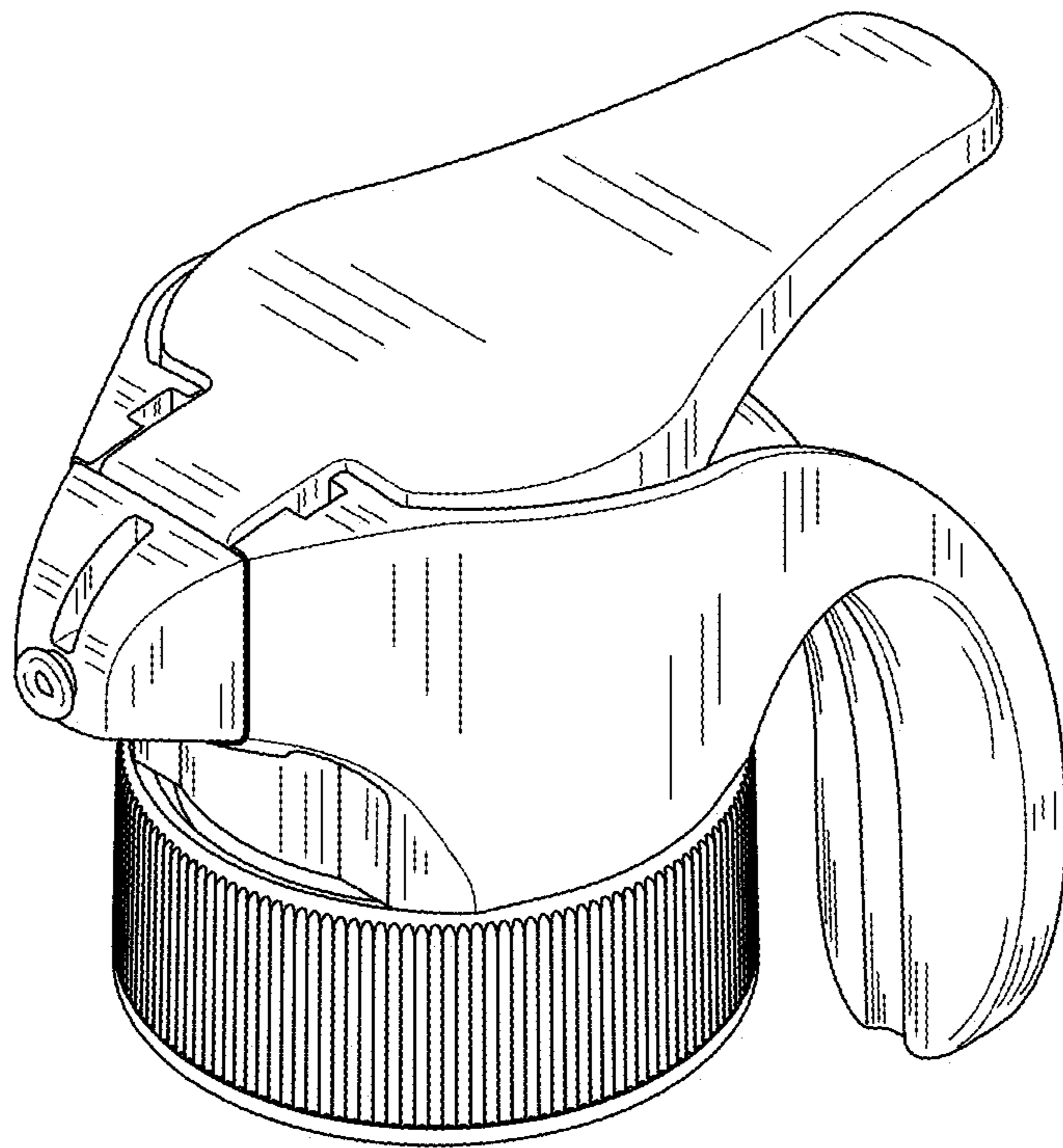


Fig.2

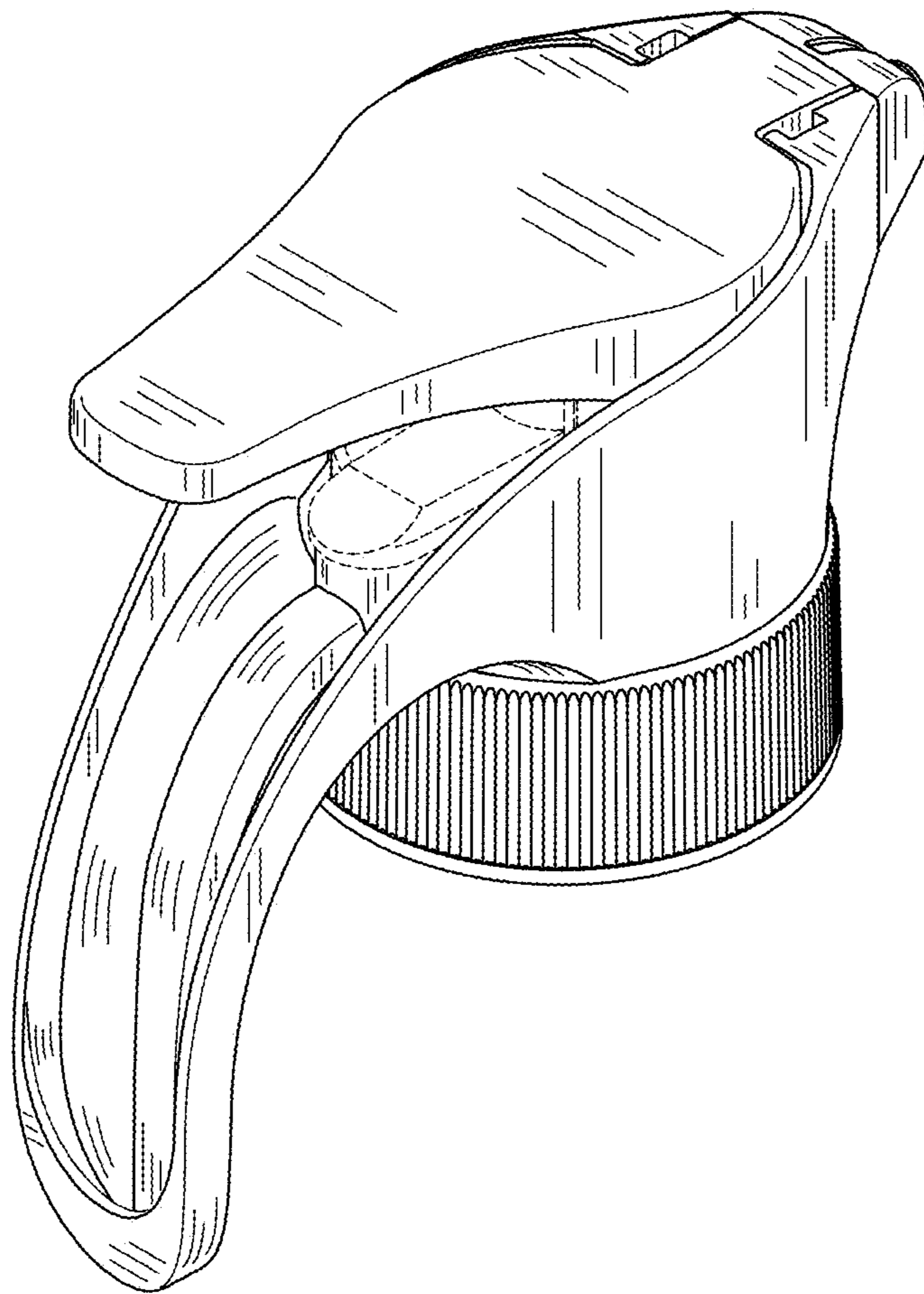


Fig.3

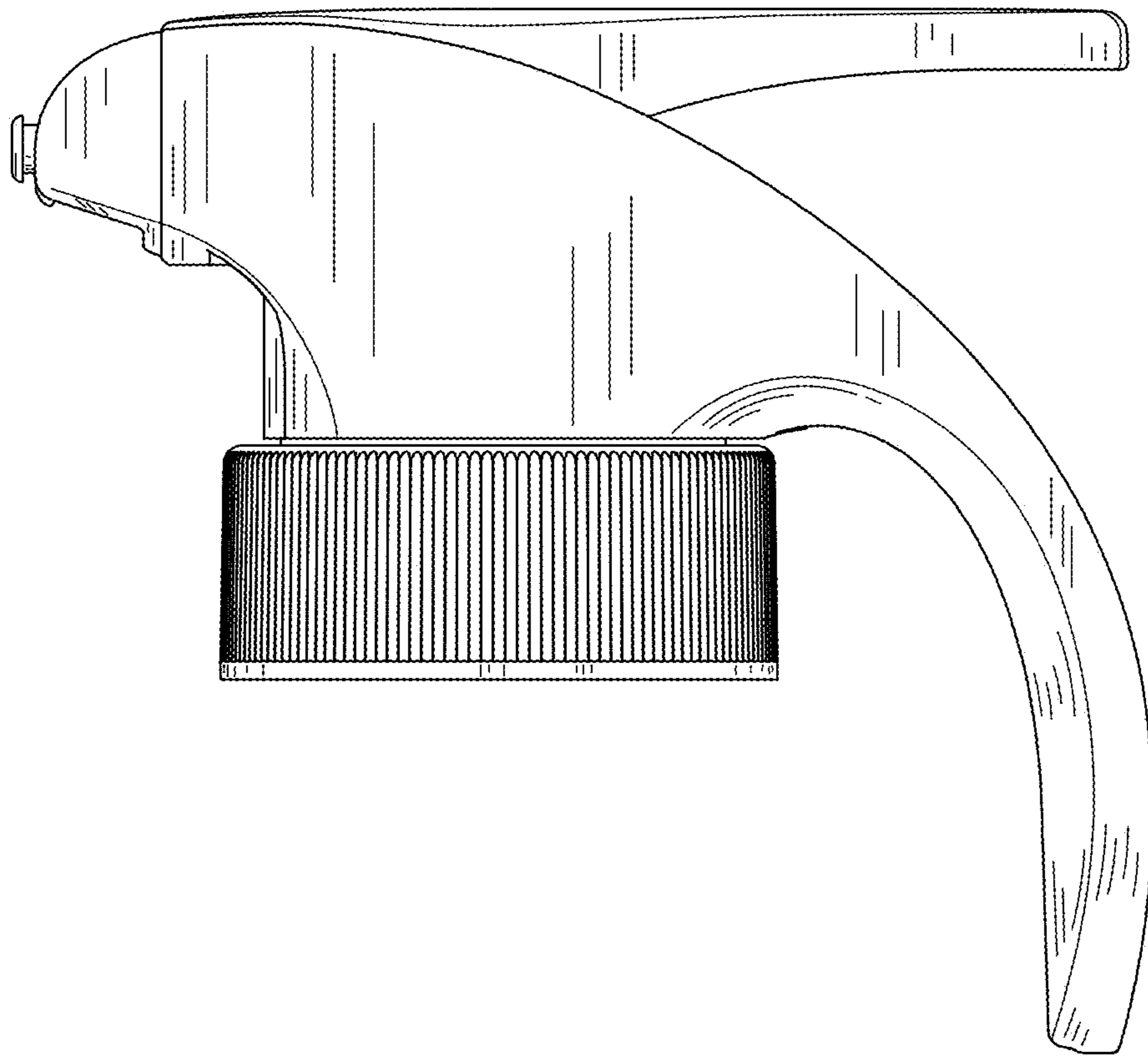


Fig.4

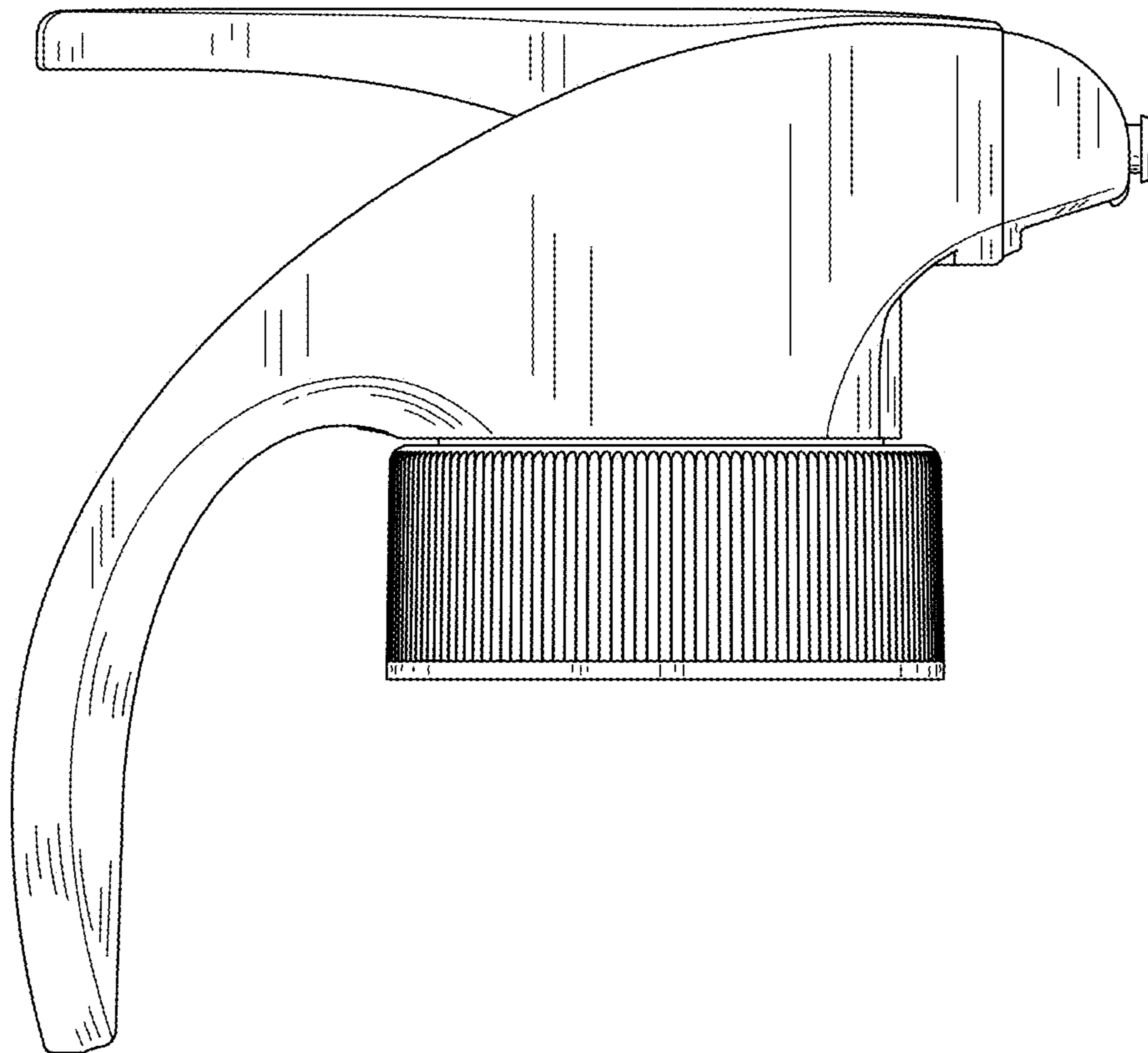


Fig.5

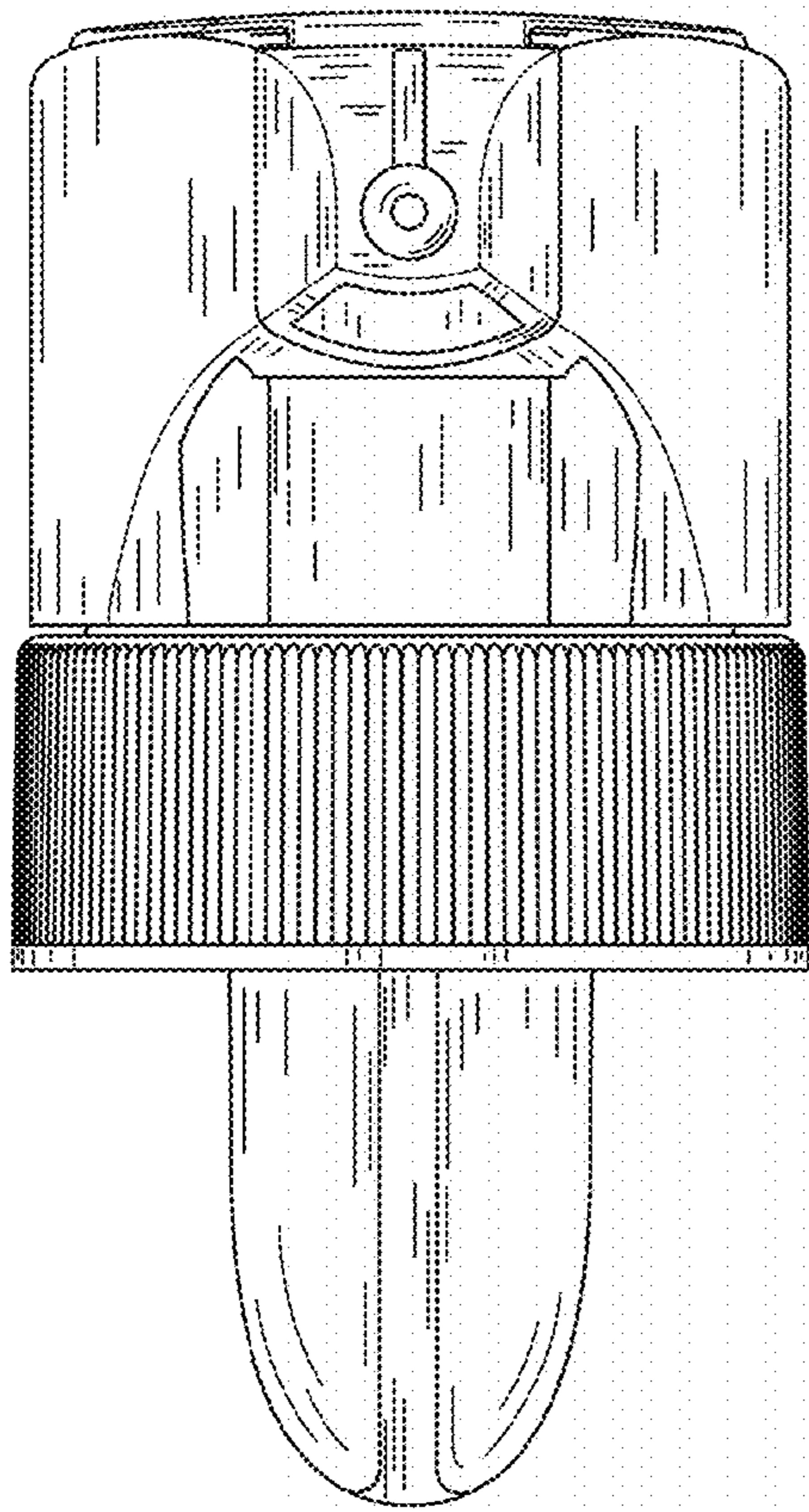


Fig.6

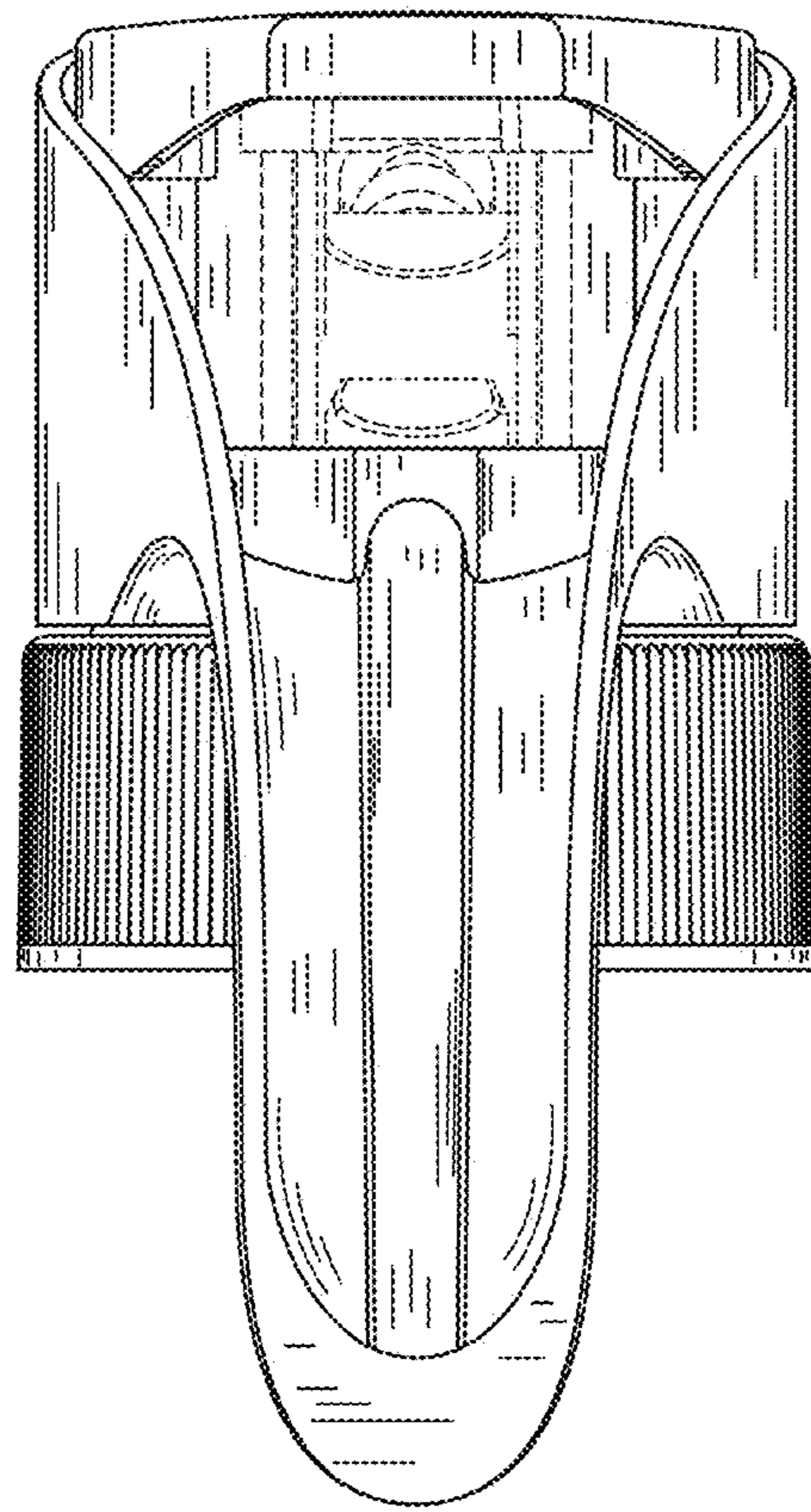


Fig.7

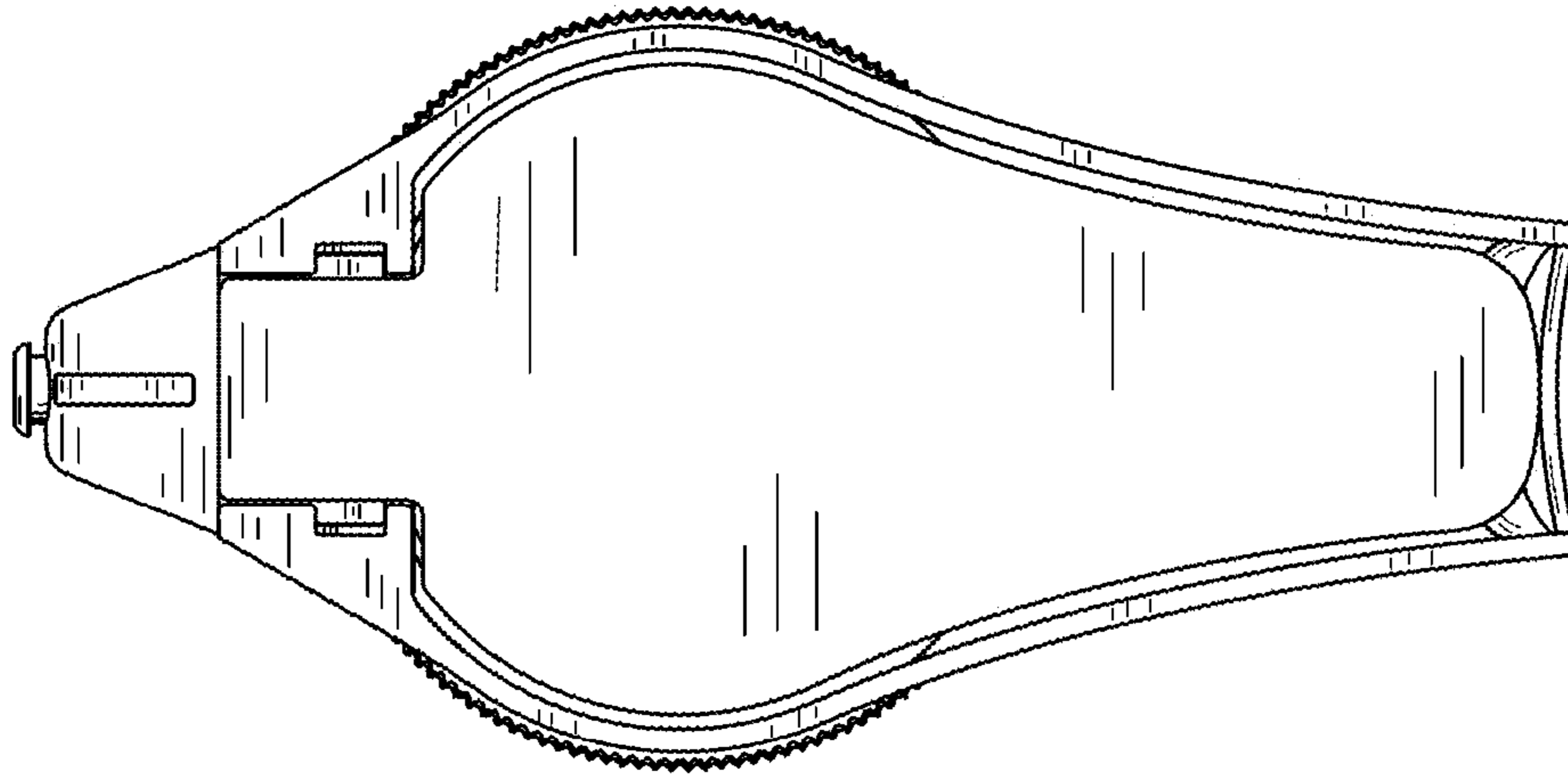


Fig.8

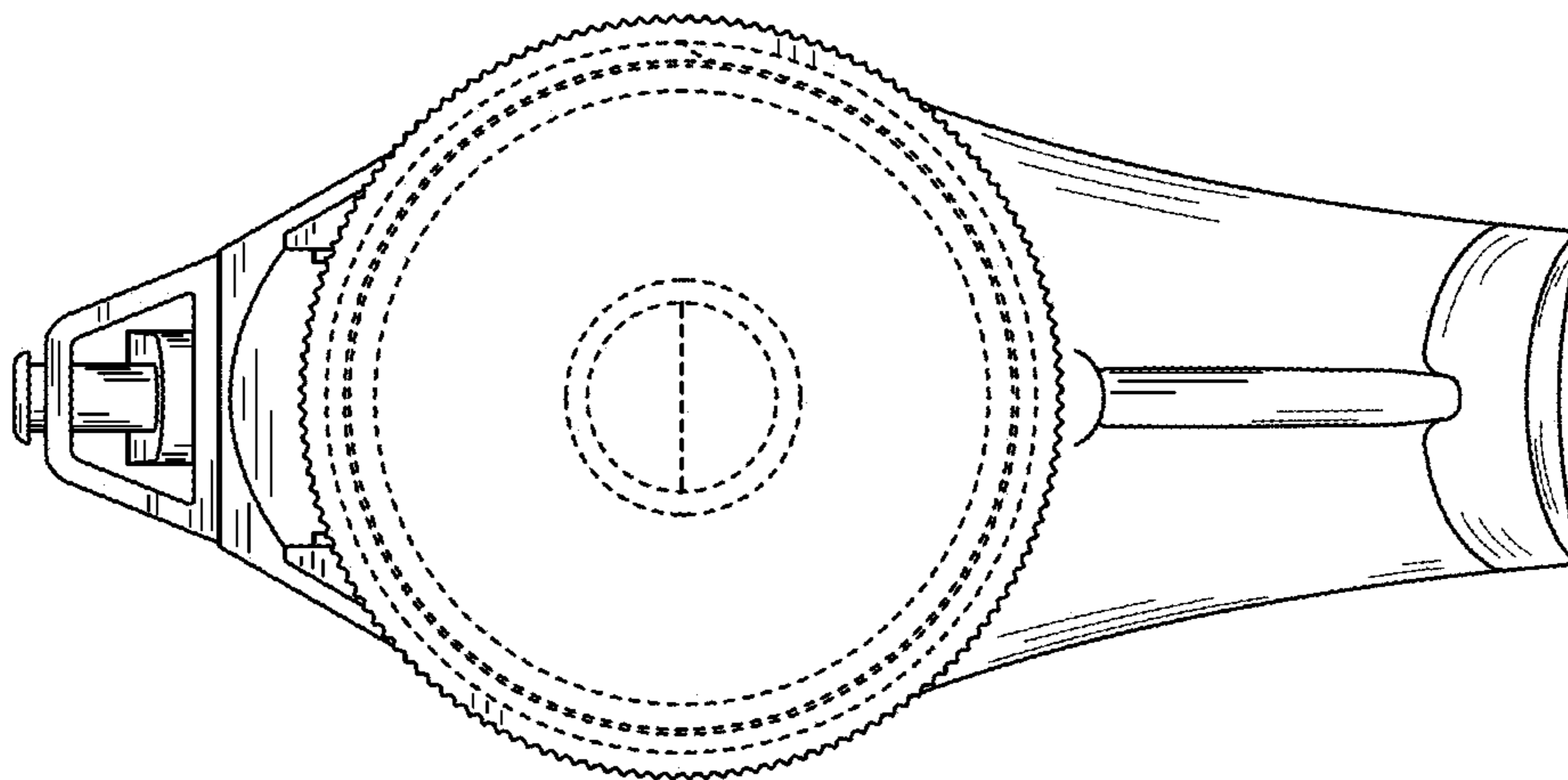


Fig.9

