



US00D934680S

(12) **United States Design Patent** (10) **Patent No.:** **US D934,680 S**  
**Schultz** (45) **Date of Patent:** **\*\* Nov. 2, 2021**

(54) **SPLASH GUARD**

(71) Applicant: **P.S. Kreative, LLC**, Grand Junction, CO (US)

(72) Inventor: **Michael Schultz**, Grand Junction, CO (US)

(\*\*) Term: **15 Years**

(21) Appl. No.: **29/746,049**

(22) Filed: **Aug. 11, 2020**

(51) **LOC (13) Cl.** ..... **09-07**

(52) **U.S. Cl.**

USPC ..... **D9/443**; D7/392.1; D7/396.3; D7/900

(58) **Field of Classification Search**

USPC ..... D9/439, 440, 442–449, 682, 685, 686, D9/435, 450, 454; D6/515; D7/507, D7/509–511, 523, 391, 392, 392.1, 396.2, D7/605, 608, 900

CPC .... B65D 83/205; B65D 83/206; B65D 83/40; B65D 2543/00046; A47G 19/2272

See application file for complete search history.

(56) **References Cited**

**U.S. PATENT DOCUMENTS**

D325,783 S *	4/1992	Anderson	.....	D9/435
D328,864 S *	8/1992	Grunzweig	.....	D9/435
D409,488 S *	5/1999	Mohary	.....	D9/449
D432,421 S *	10/2000	Sullivan, Jr.	.....	D9/440
D494,470 S *	8/2004	Guyot	.....	D9/435
D525,826 S *	8/2006	Kugler	.....	D7/392.1
D537,675 S *	3/2007	Khalifa	.....	D7/392.1
D571,164 S *	6/2008	Yelland	.....	D9/447
D582,206 S *	12/2008	Fuller	.....	D7/392.1
D592,054 S *	5/2009	Floyd	.....	B65D 47/32
				D9/435
D690,988 S *	10/2013	Audette	.....	D7/392.1
D786,673 S *	5/2017	Moffat	.....	D9/443
D833,212 S *	11/2018	Buck	.....	D7/392.1
D845,064 S *	4/2019	Mulhauser	.....	D7/392.1
D859,636 S *	9/2019	Wang	.....	D7/392.1
D880,231 S *	4/2020	Edlund Tjernberg	.....	D7/396.2

D882,334 S *	4/2020	Henkel	.....	D7/396.2
D885,838 S *	6/2020	Tobias	.....	D7/510
D886,514 S *	6/2020	Kander	.....	D7/392.1
D923,393 S *	6/2021	Colegate	.....	D7/392.1
2010/0288768 A1 *	11/2010	Booth	.....	B65D 47/32
				220/213

**OTHER PUBLICATIONS**

SplashPro—Splash Guard for Hydro Flasks—Instructional Video, Apr. 25, 2020, Bottle Pro YouTube Post, URL [https://www.youtube.com/watch?v=C5Mq4\\_OWUGc](https://www.youtube.com/watch?v=C5Mq4_OWUGc) (Year: 2020).\*

Jeff Miller, Nov. 16, 2018/, Amazon.com, HydraPak Watergate Wide Mouth Splash Guard review, URL: [https://www.amazon.com/Hydrapak-Watergate-Mouth-Splash-Malibu/dp/B01N38R2PD/ref=pd\\_sim\\_1/136-9739255-3729558?pd\\_rd\\_w=cRE6Y&pf\\_rd\\_p=6caf1c3a-a843-4189-8efc-81b67e85dc96&pf\\_rd\\_r=B883V9M355V3QC75M4SC&pd\\_rd\\_r=7f86e096](https://www.amazon.com/Hydrapak-Watergate-Mouth-Splash-Malibu/dp/B01N38R2PD/ref=pd_sim_1/136-9739255-3729558?pd_rd_w=cRE6Y&pf_rd_p=6caf1c3a-a843-4189-8efc-81b67e85dc96&pf_rd_r=B883V9M355V3QC75M4SC&pd_rd_r=7f86e096) (Year: 2018).\*

\* cited by examiner

*Primary Examiner* — Brett Miller

*Assistant Examiner* — Rani J Abdallah

(74) *Attorney, Agent, or Firm* — Sam IP Legal Solutions, P.C.; Ryan D. Sam

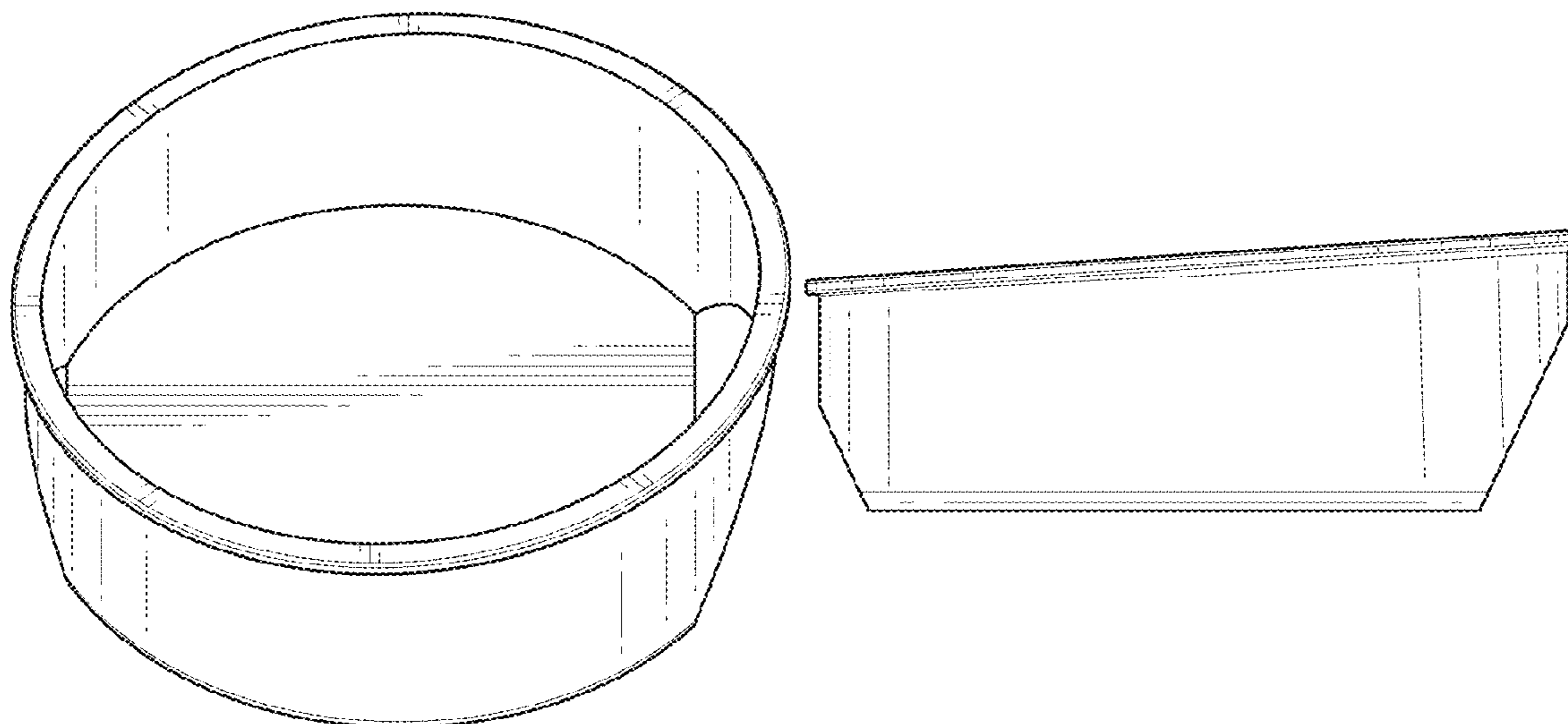
(57) **CLAIM**

The ornamental design for a splash guard, as shown and described.

**DESCRIPTION**

FIG. 1 is a top and side perspective view of a splash guard embodying my new design; FIG. 2 is a bottom and side perspective view thereof; FIG. 3 is a top and rear perspective view thereof; FIG. 4 is a top and front perspective view thereof; FIG. 5 is a bottom and rear perspective view thereof; FIG. 6 is a bottom and front perspective view thereof; FIG. 7 is a top plan view thereof; FIG. 8 is a bottom plan view thereof; and, FIG. 9 is a side elevational view thereof.

**1 Claim, 5 Drawing Sheets**



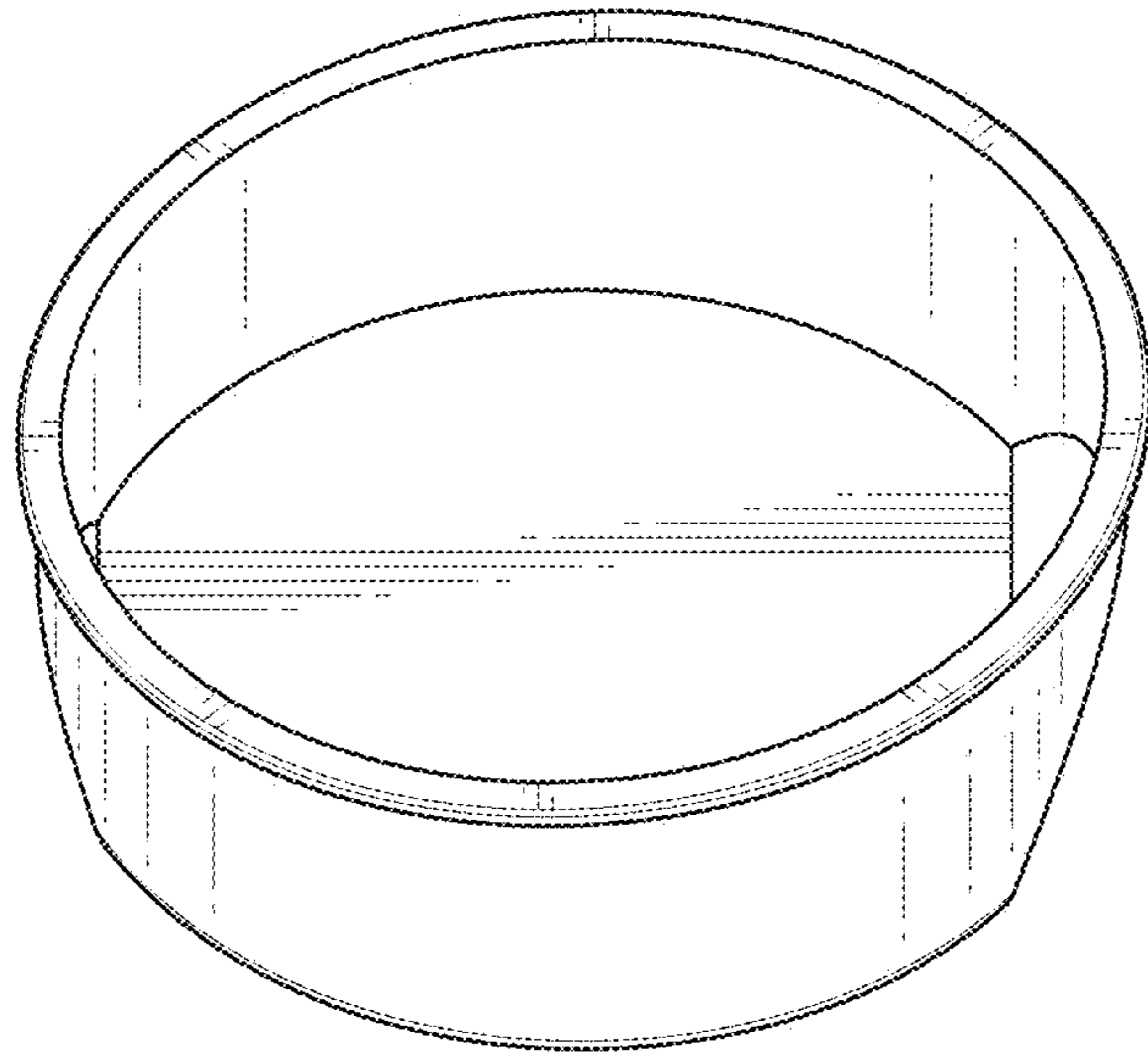


FIG. 1

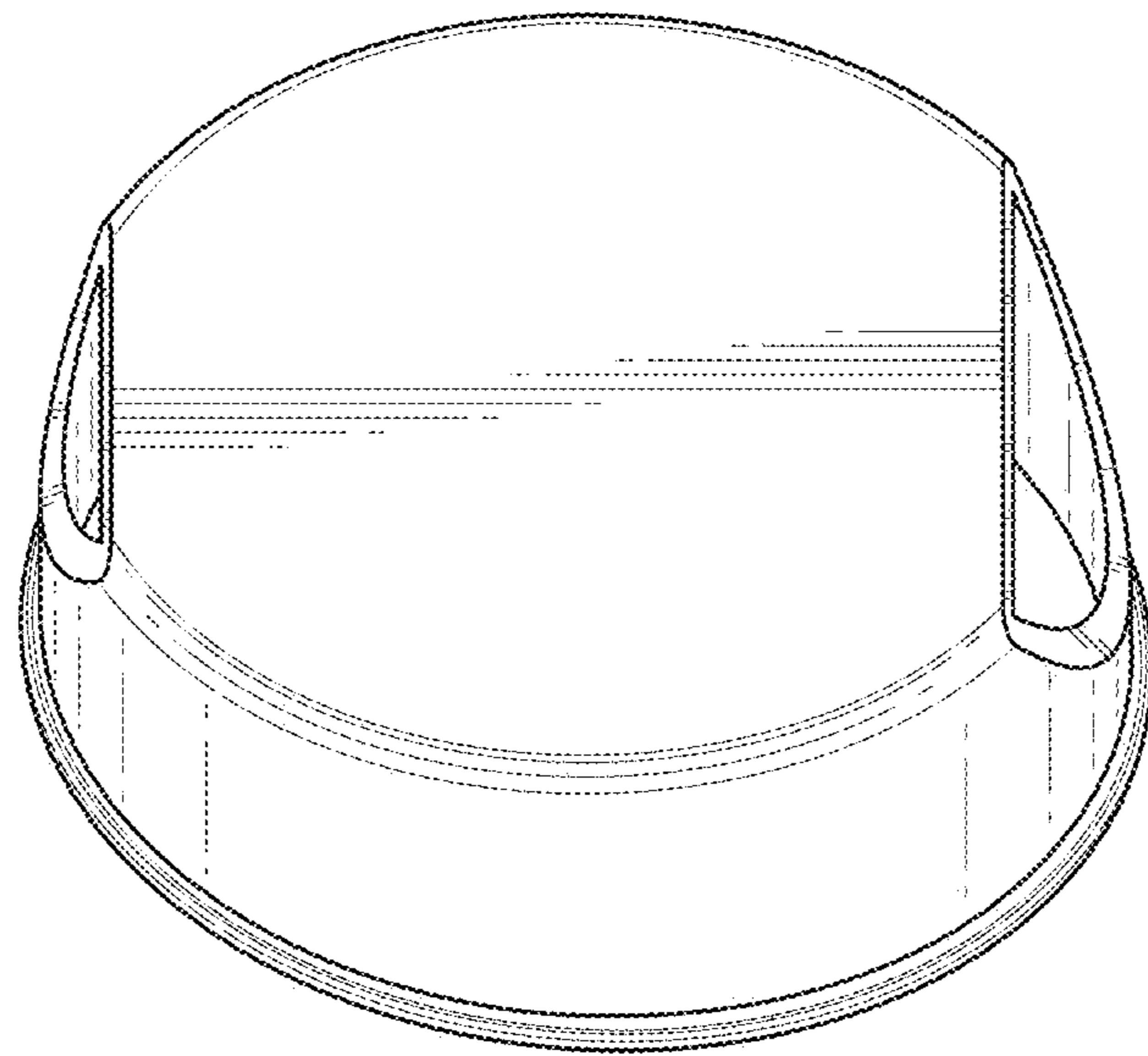


FIG. 2

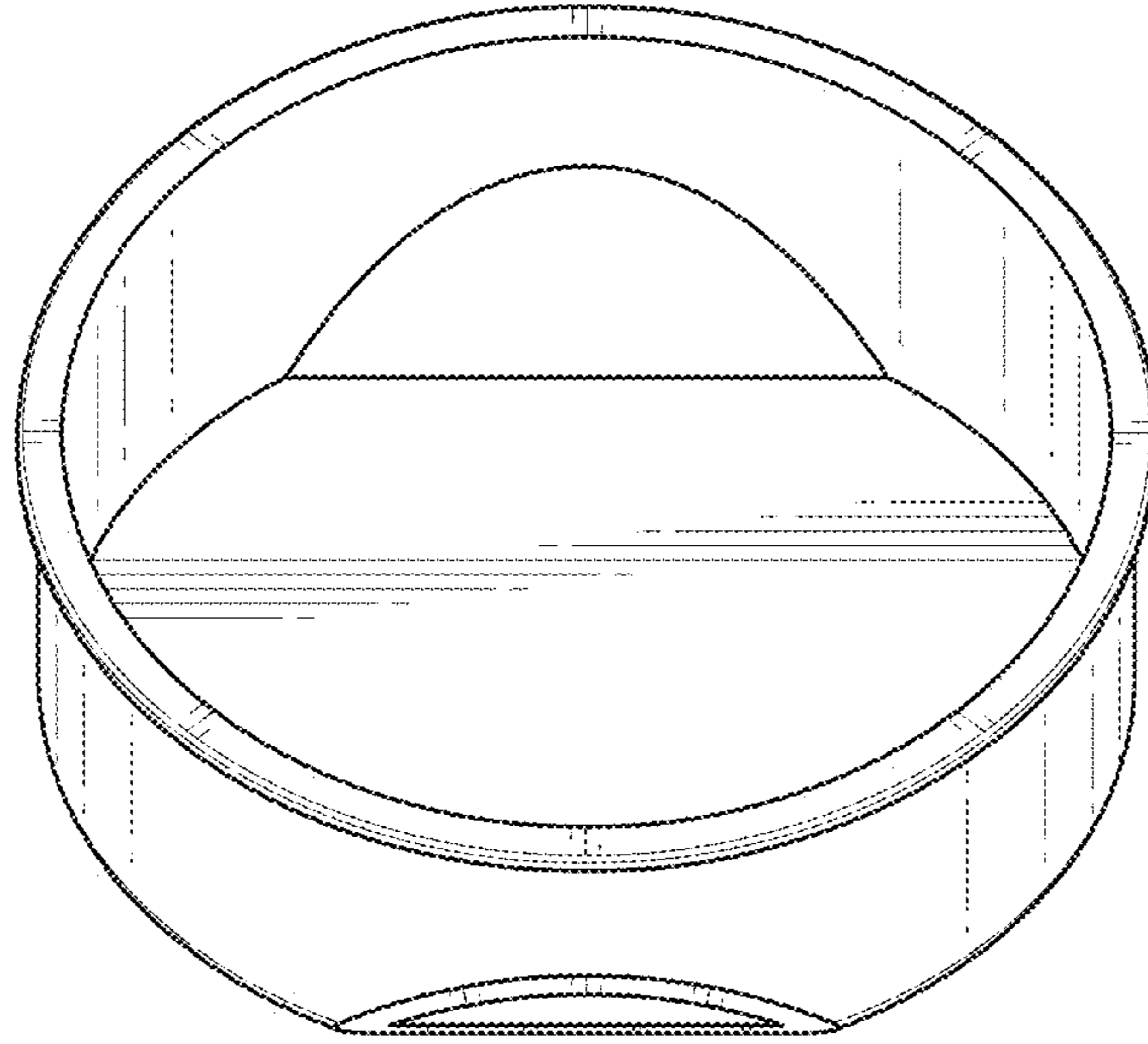


FIG. 3

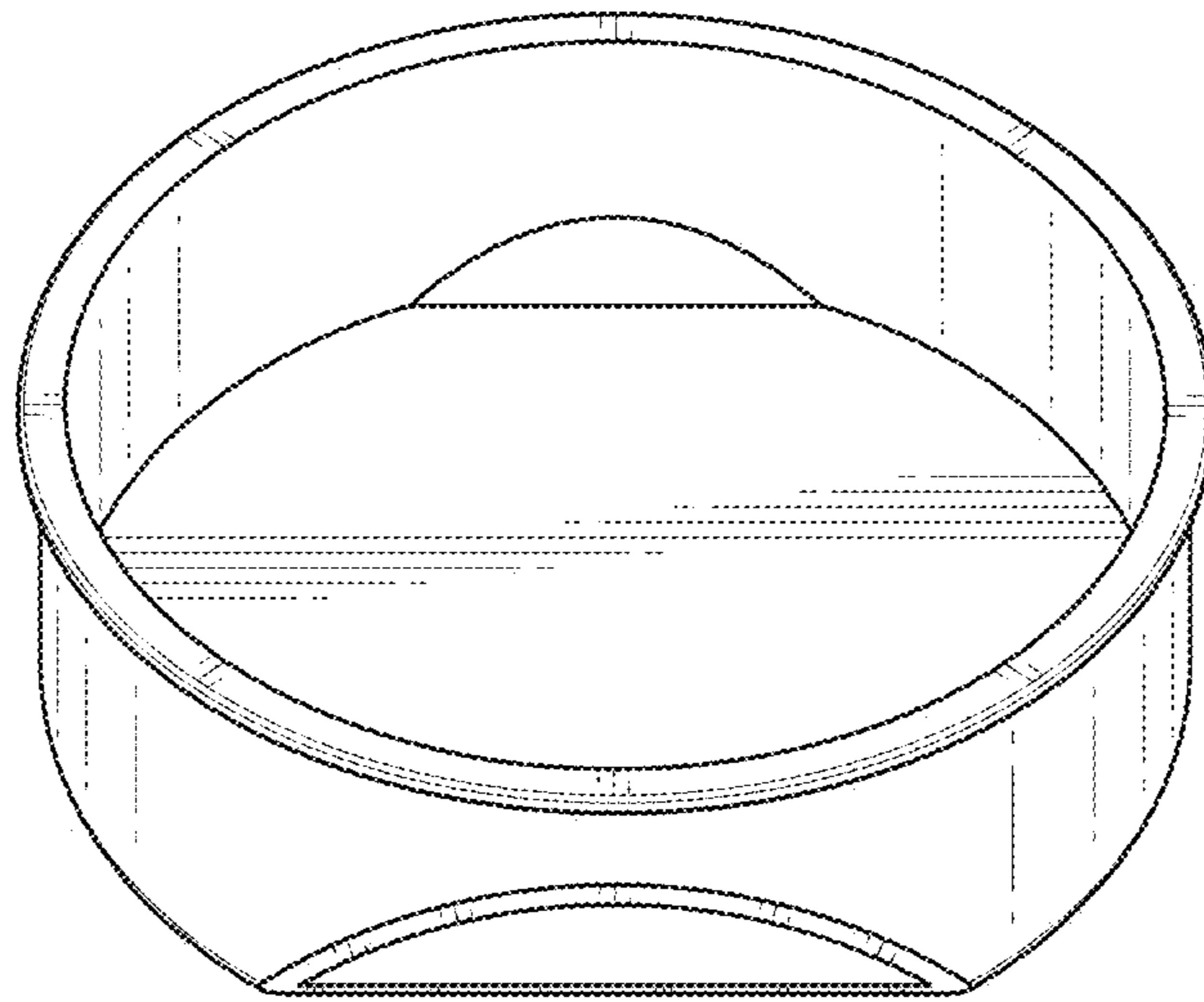


FIG. 4

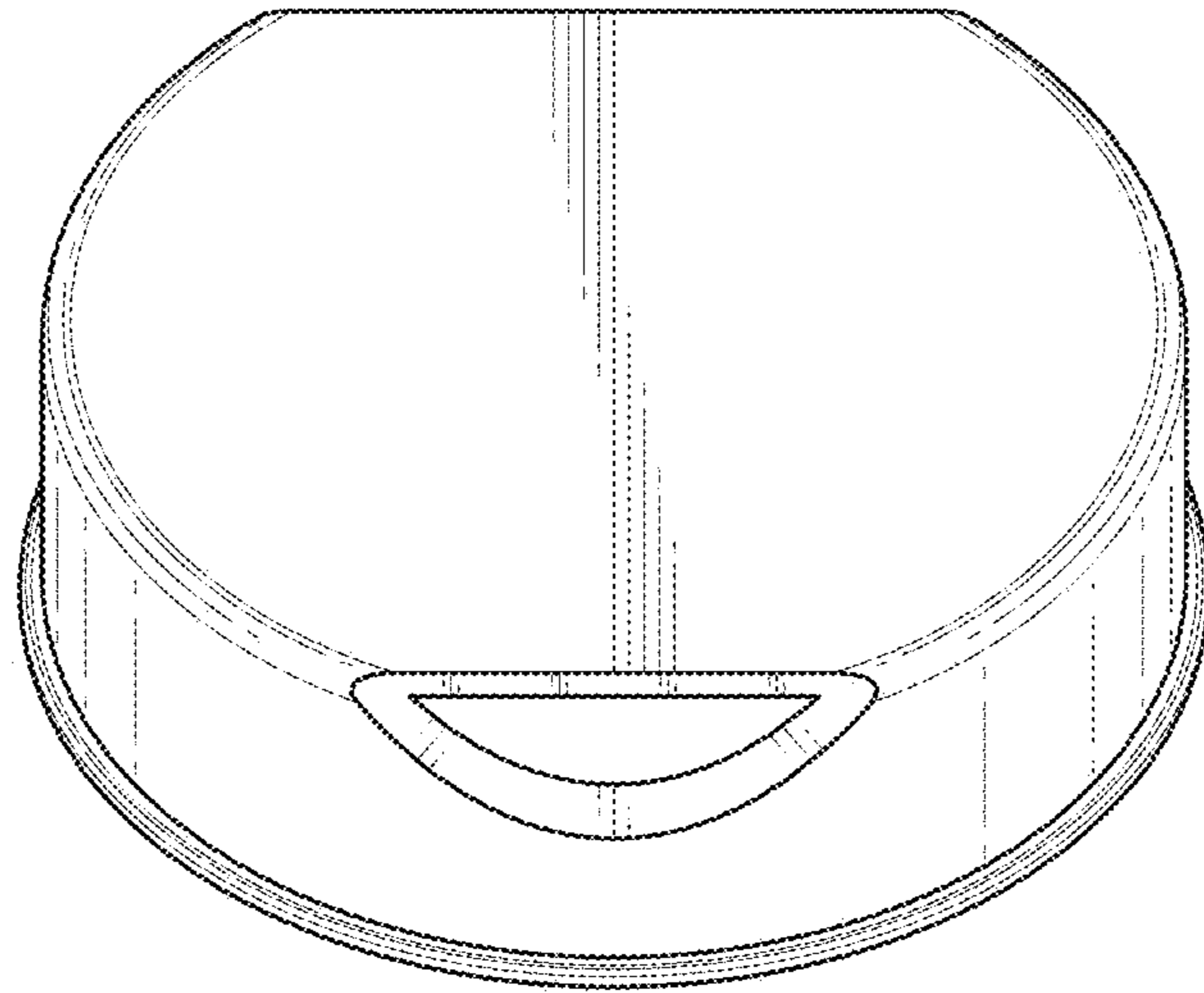


FIG. 5

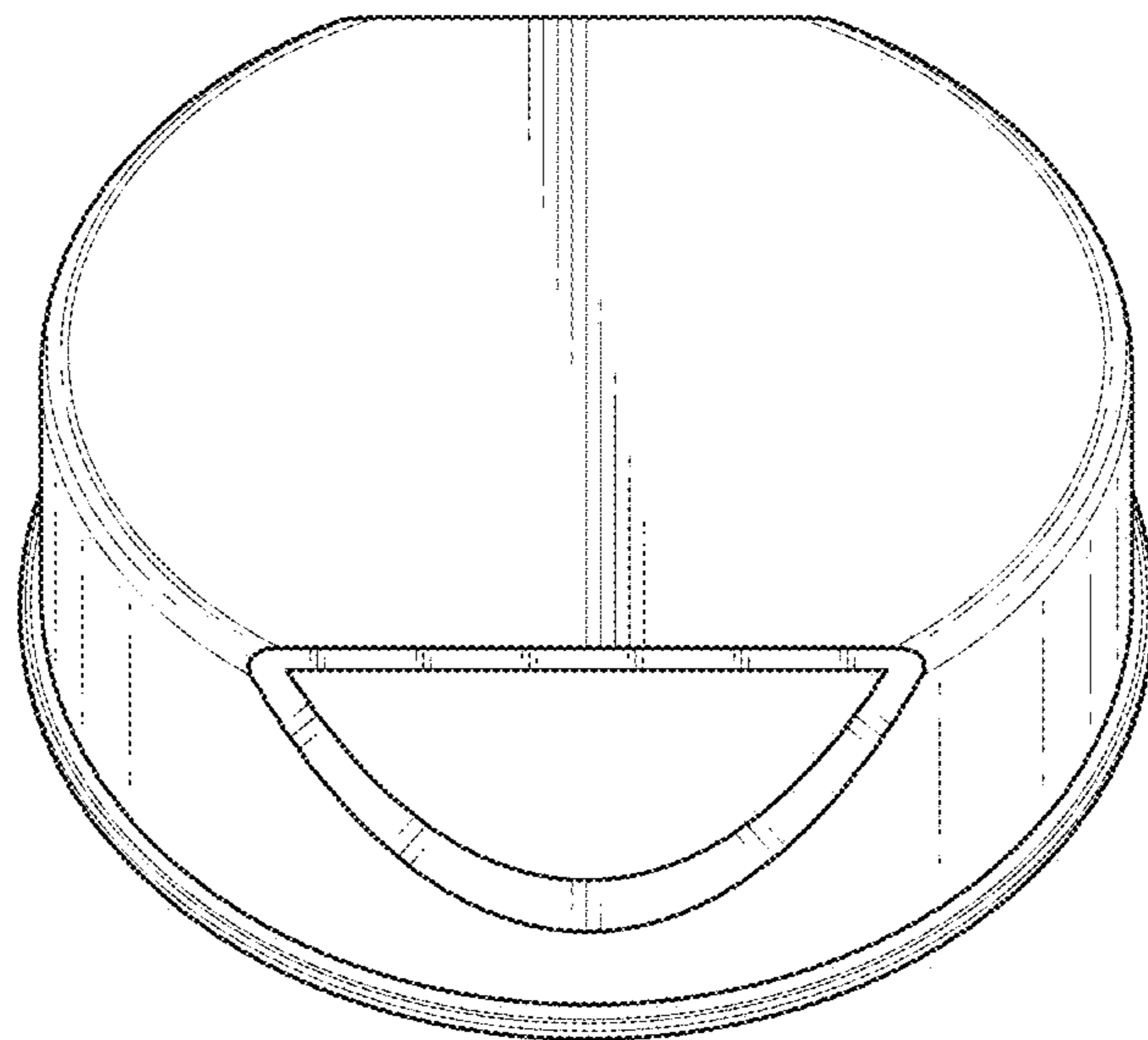


FIG. 6

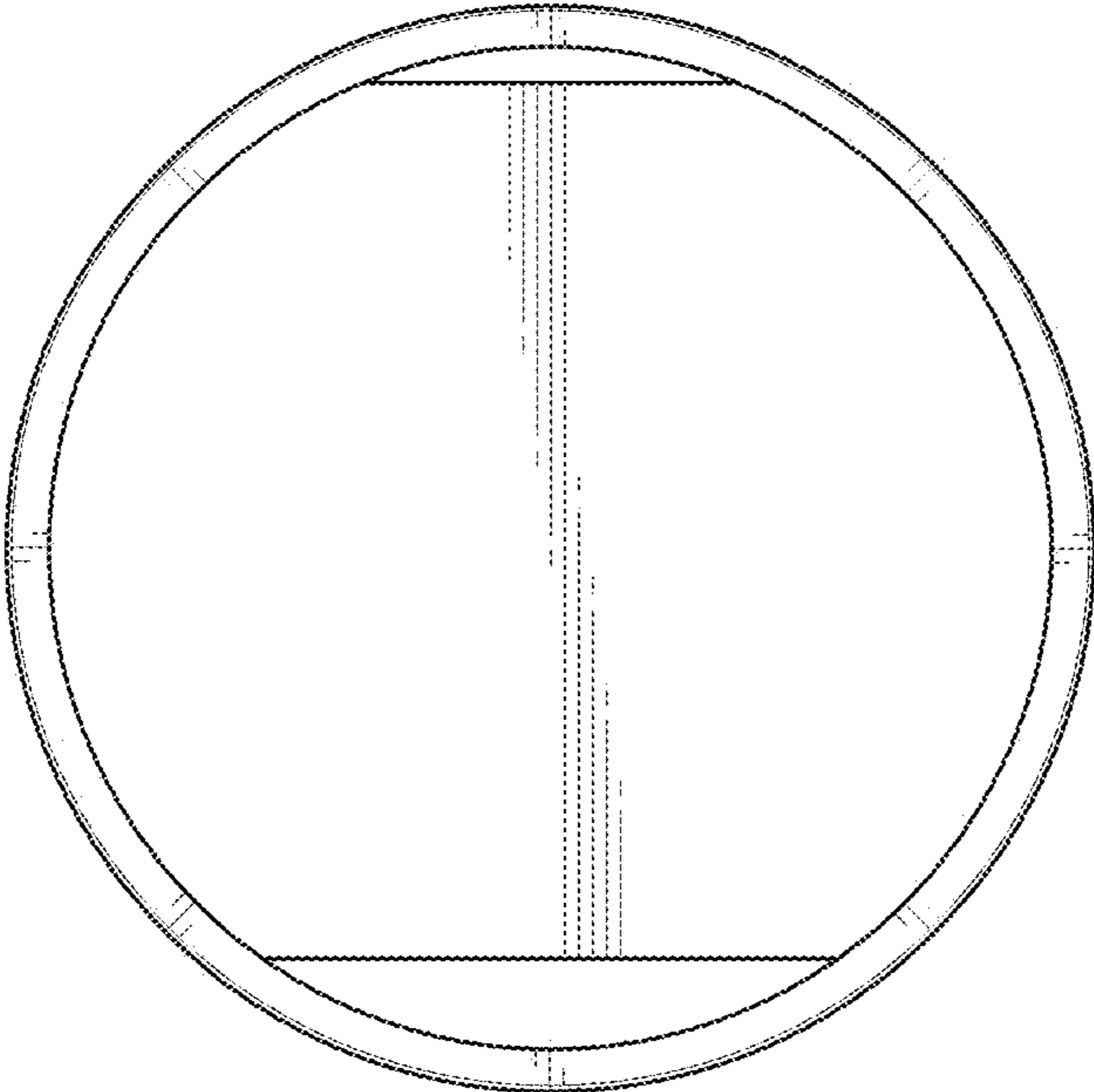


FIG. 7

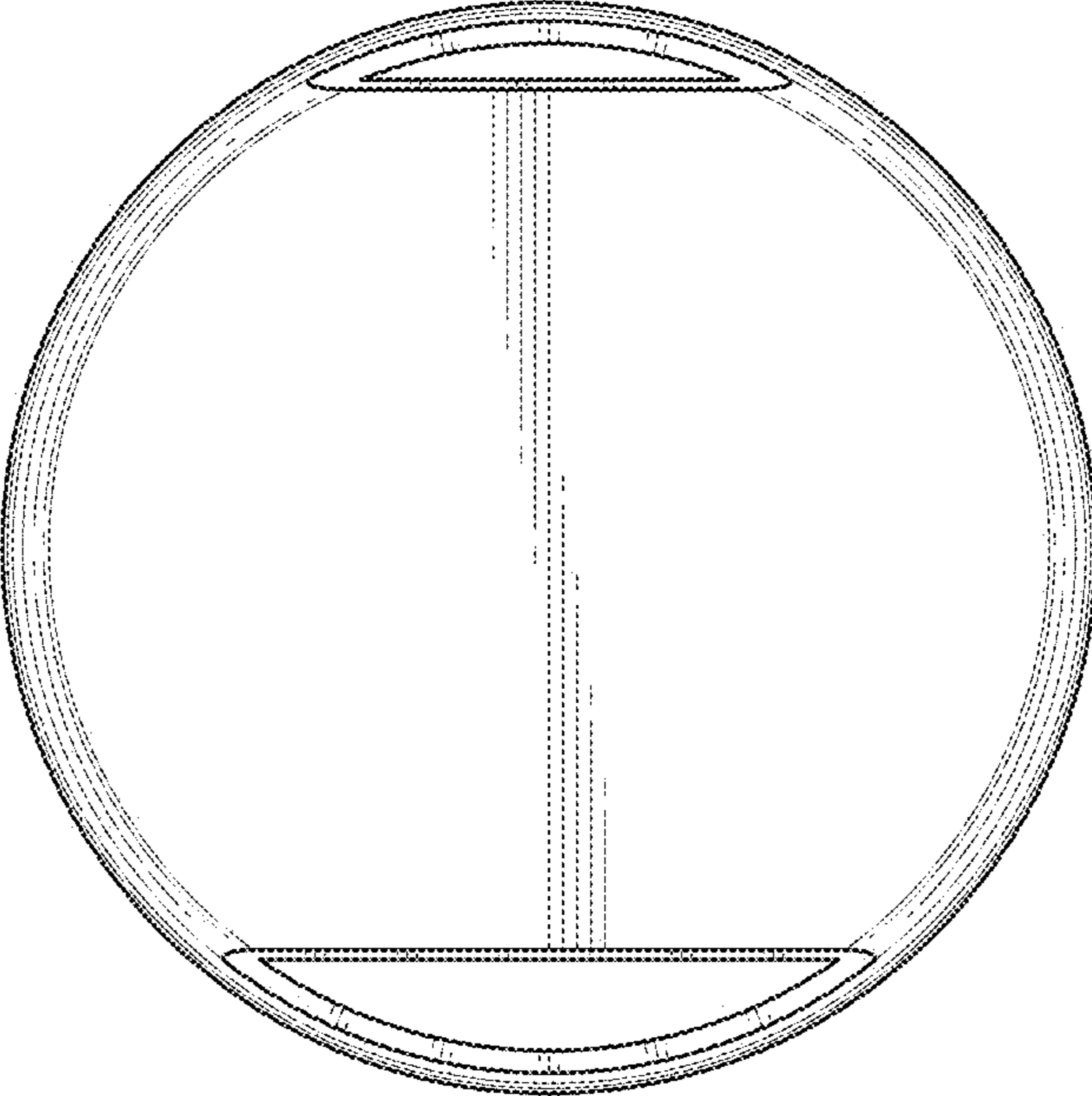


FIG. 8

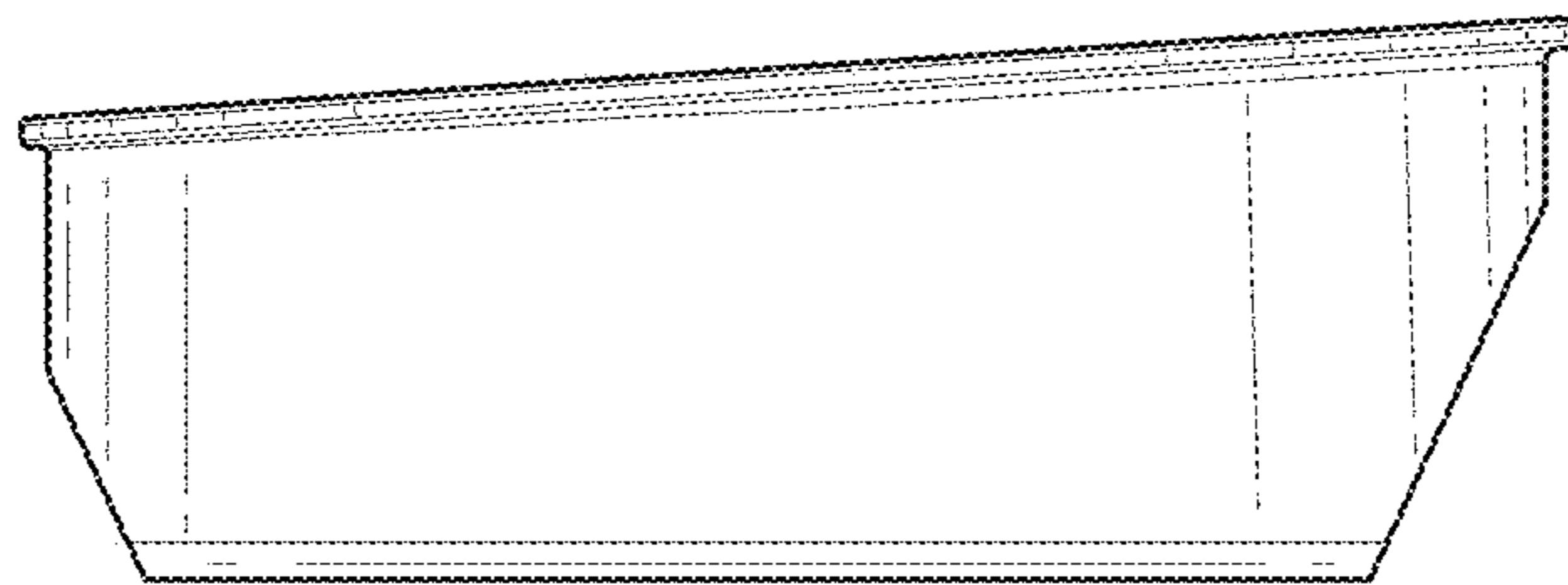


FIG. 9