



US00D934676S

(12) **United States Design Patent** (10) **Patent No.:** **US D934,676 S**
Ceder (45) **Date of Patent:** **** Nov. 2, 2021**

(54) **PACKAGING FOR CHAMPAGNE BOTTLES**

(71) Applicant: **MHCS**, Epernay (FR)
(72) Inventor: **Julien Ceder**, Reims (FR)
(73) Assignee: **MHCS**, Epernay (FR)
(**) Term: **15 Years**

(21) Appl. No.: **35/509,794**

(22) Filed: **Jun. 17, 2020**

(80) **Hague Agreement Data**

Int. Filing Date: **Jun. 17, 2020**
Int. Reg. No.: **DM/208937**
Int. Reg. Date: **Jun. 17, 2020**
Int. Reg. Pub. Date: **Jul. 10, 2020**

(30) **Foreign Application Priority Data**

Dec. 30, 2019 (FR) 2019-5680

(51) **LOC (13) Cl.** **09-03**

(52) **U.S. Cl.**
USPC **D9/415**

(58) **Field of Classification Search**

USPC D9/414-420, 737, 423, 504, 757, 444,
D9/544, 705, 703, 629, 432, 702, 704
CPC B65D 23/0871; B65D 5/503; B65D 9/12;
B65D 75/004; B65D 85/1036; B65D
5/0254; A47L 13/25761; A47L 17/007;
E05G 1/005

See application file for complete search history.

(56) **References Cited**

U.S. PATENT DOCUMENTS

2,672,274	A *	3/1954	Crane	B65D 5/0254 229/159
3,164,284	A *	1/1965	Bergh	B65D 9/32 220/4.28
D369,295	S *	4/1996	Kobari	D9/423
D657,656	S *	4/2012	Lindenmayer	D8/330
D806,532	S *	1/2018	Richmond	D9/420
D907,994	S *	1/2021	Chiang	D9/415
D913,088	S *	3/2021	McGrath	D9/420
2007/0221716	A1 *	9/2007	Tao	B65D 5/22 229/141

* cited by examiner

Primary Examiner — Michael A. Pratt
(74) *Attorney, Agent, or Firm* — Floss Zelnick Lehrman & Zissu, P.C.; Charles T. J. Weigell, Esq.

(57) **CLAIM**

The ornamental design for a packaging for champagne bottles, as shown and described.

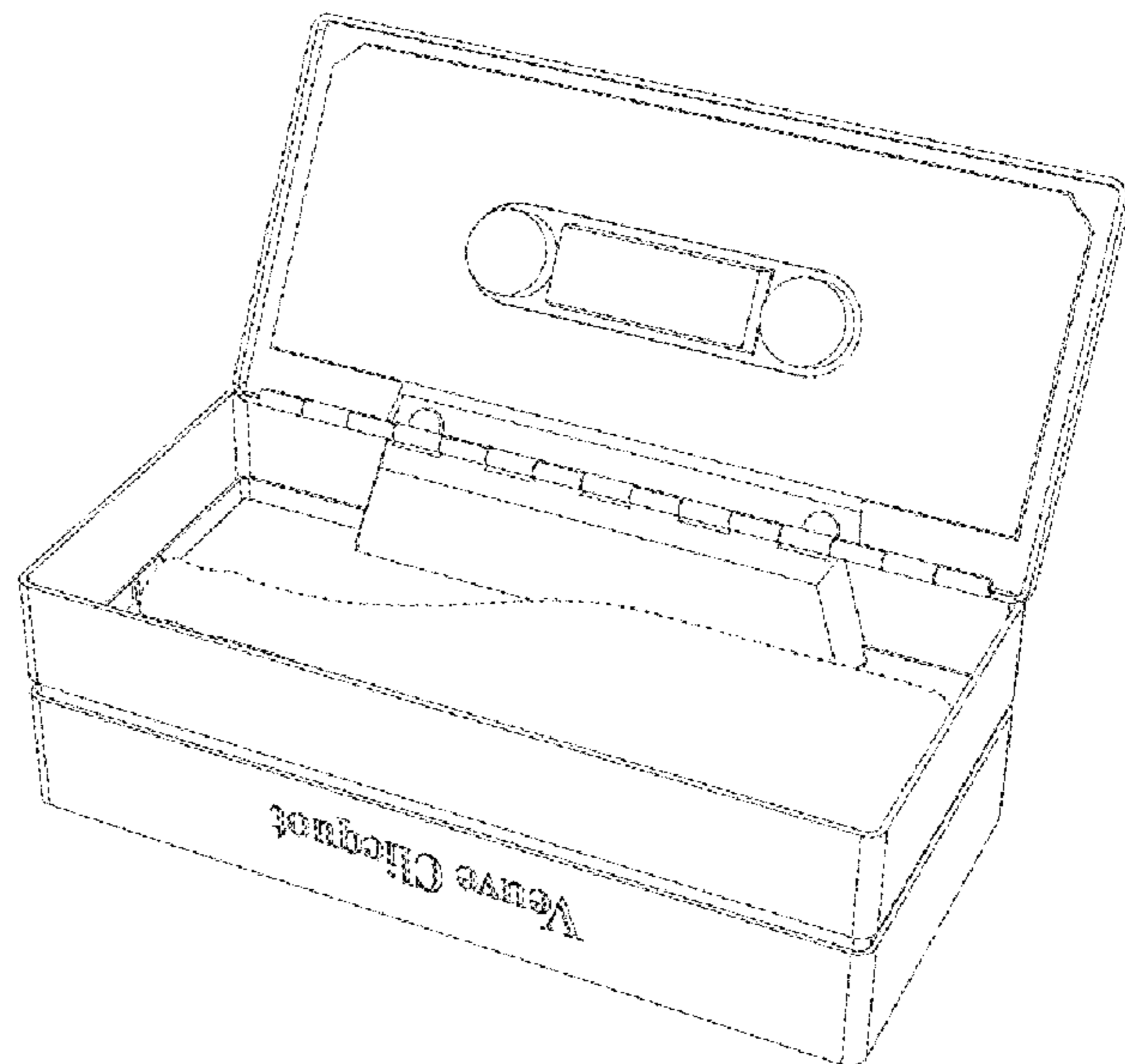
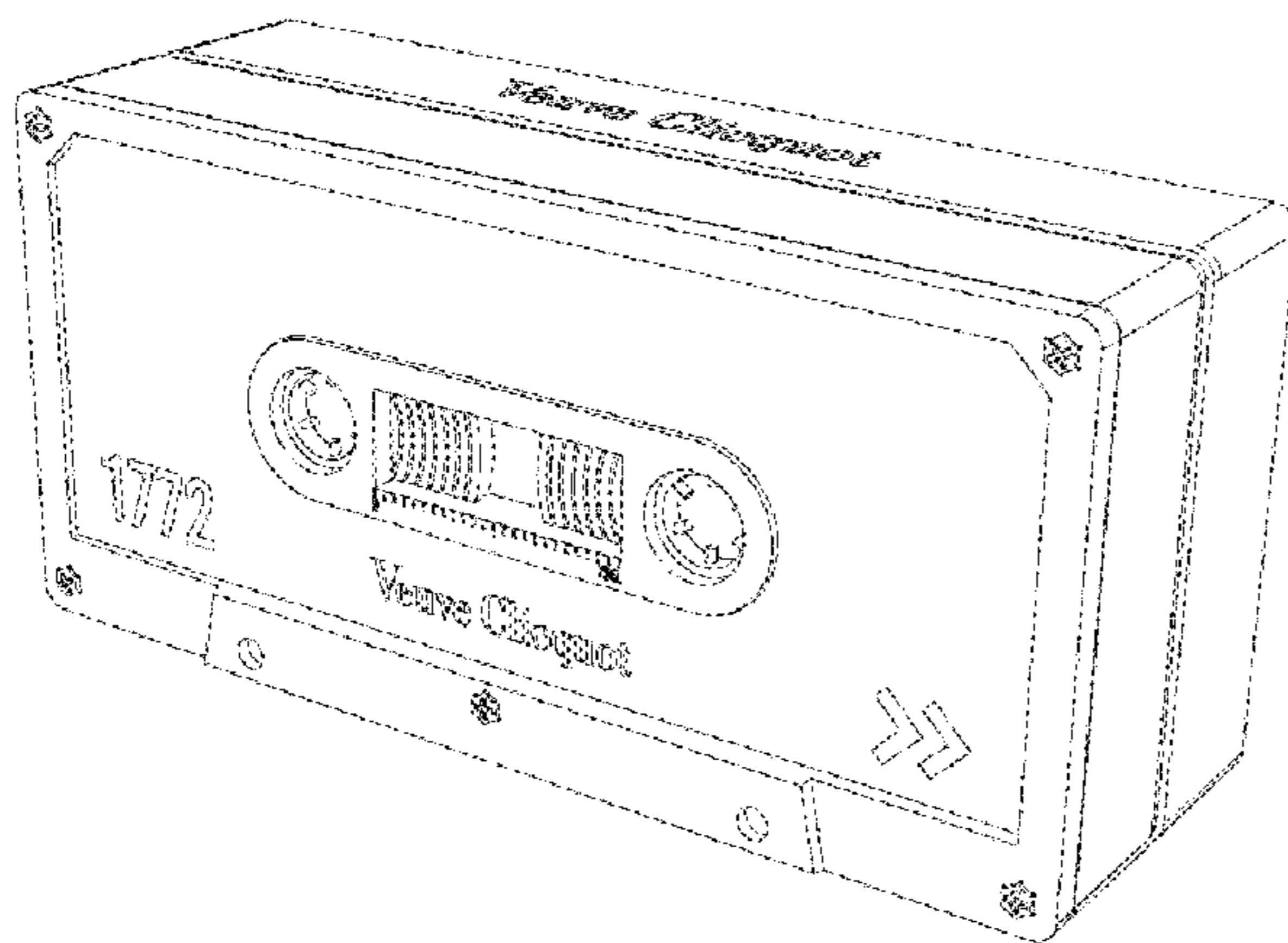
DESCRIPTION

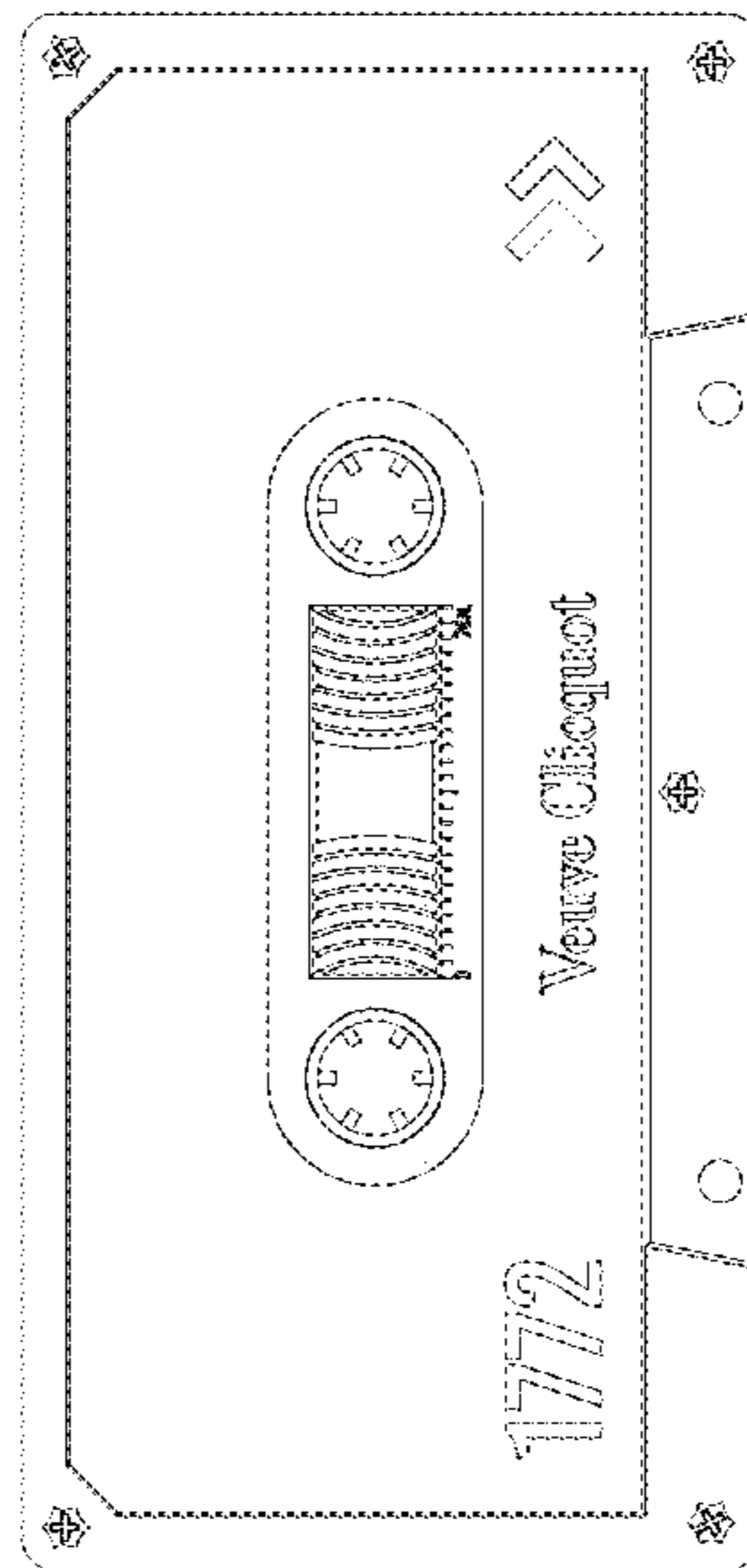
1. Packaging for champagne bottles

- 1.1 : Front
- 1.2 : Back
- 1.3 : Side view
- 1.4 : Top
- 1.5 : Bottom
- 1.6 : Perspective
- 1.7 : Open perspective

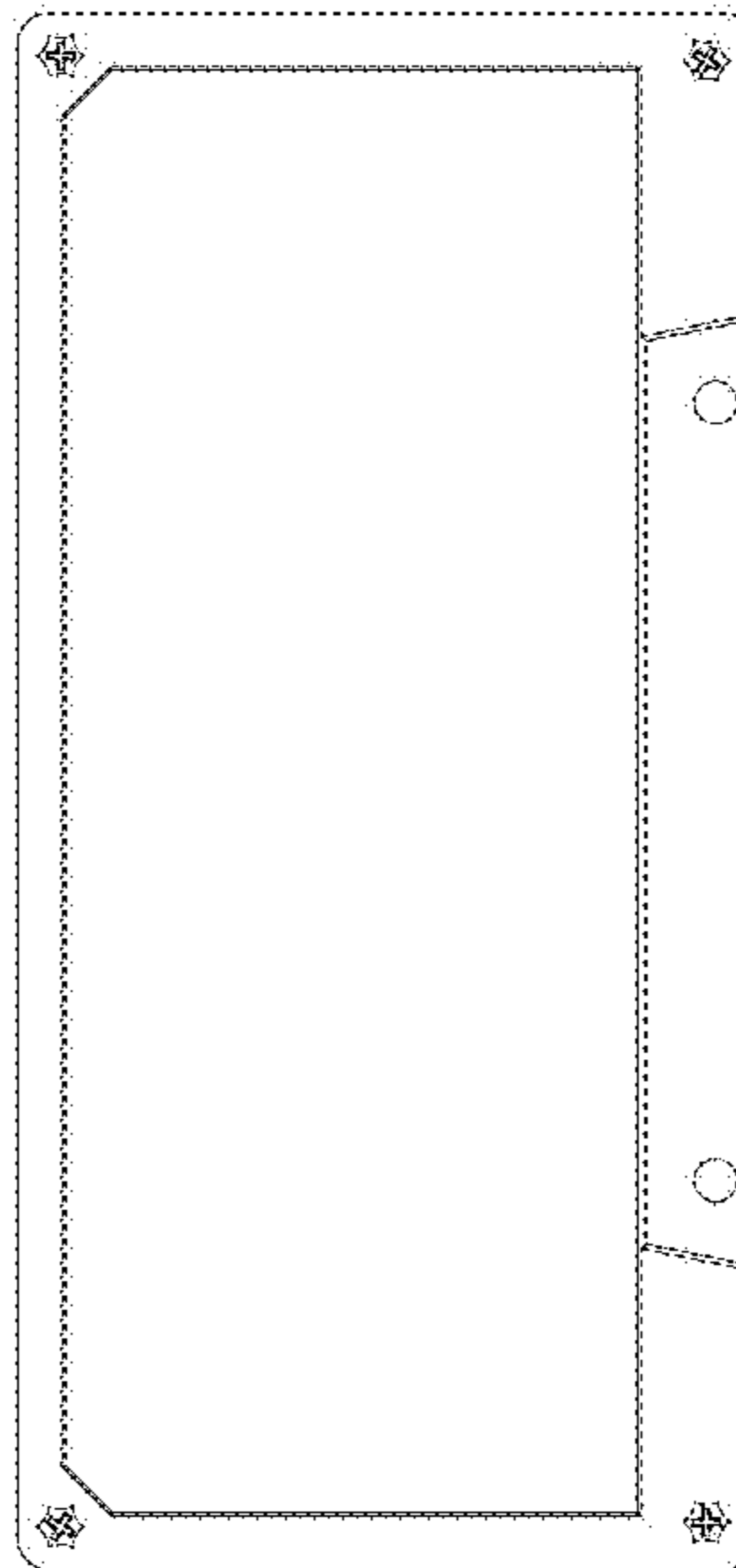
The broken line showing of a champagne bottle is for the purpose of illustrating environment and forms no part of the claimed design.

1 Claim, 7 Drawing Sheets

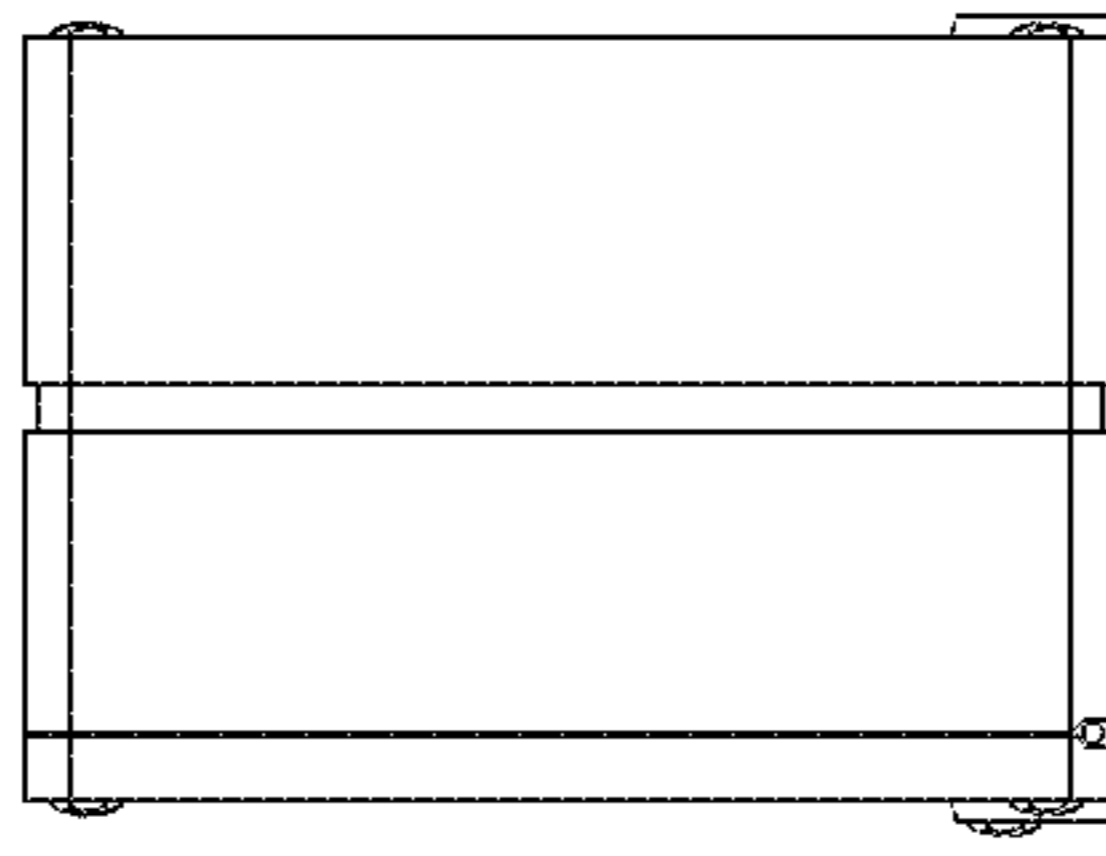




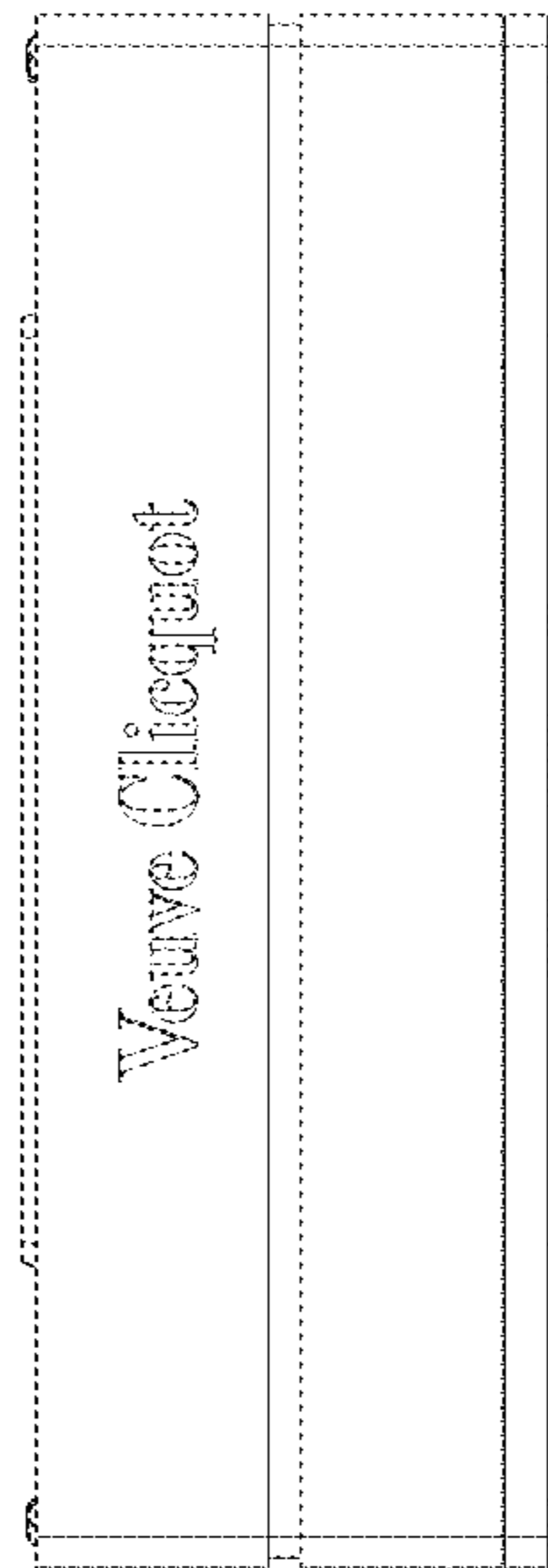
1.1



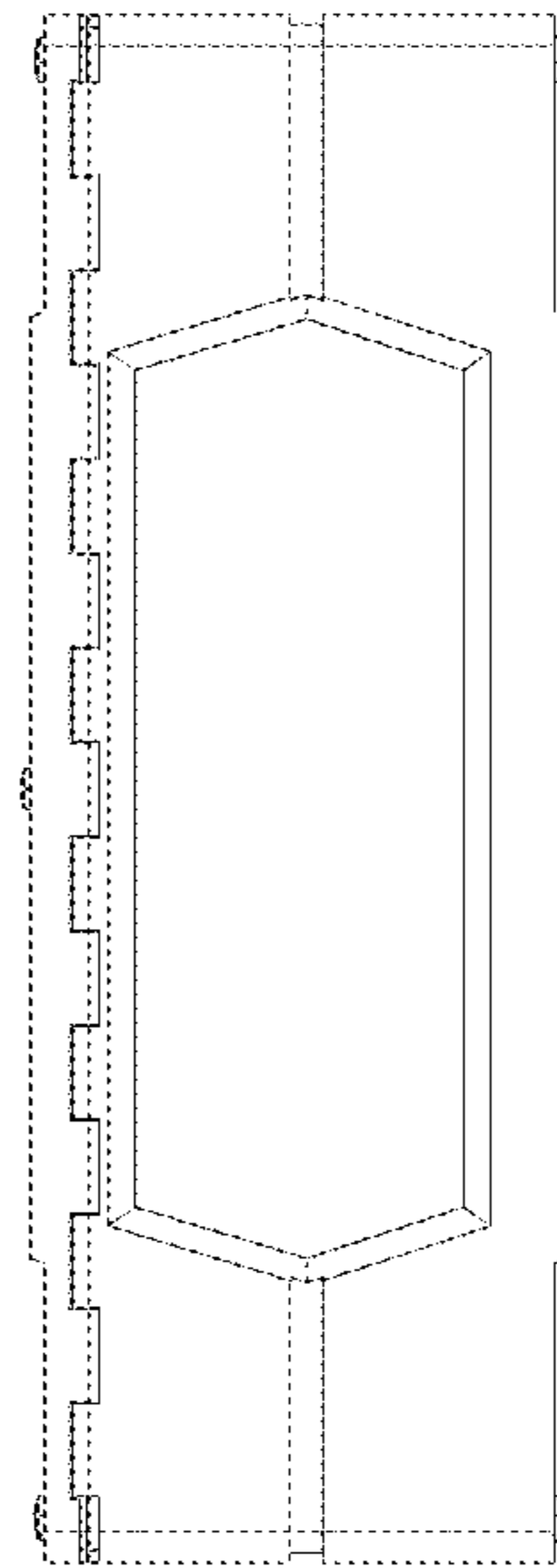
1.2



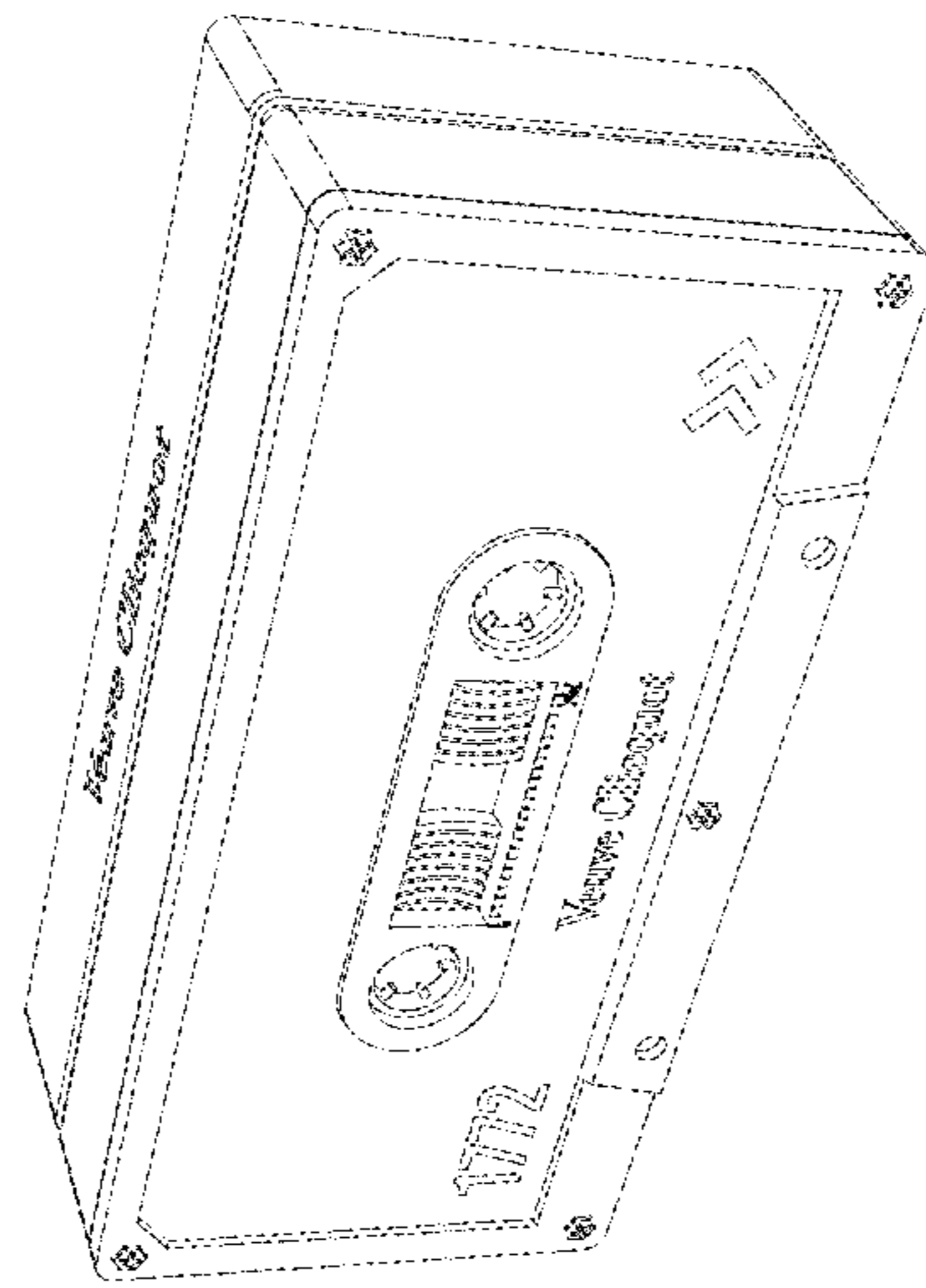
1.3



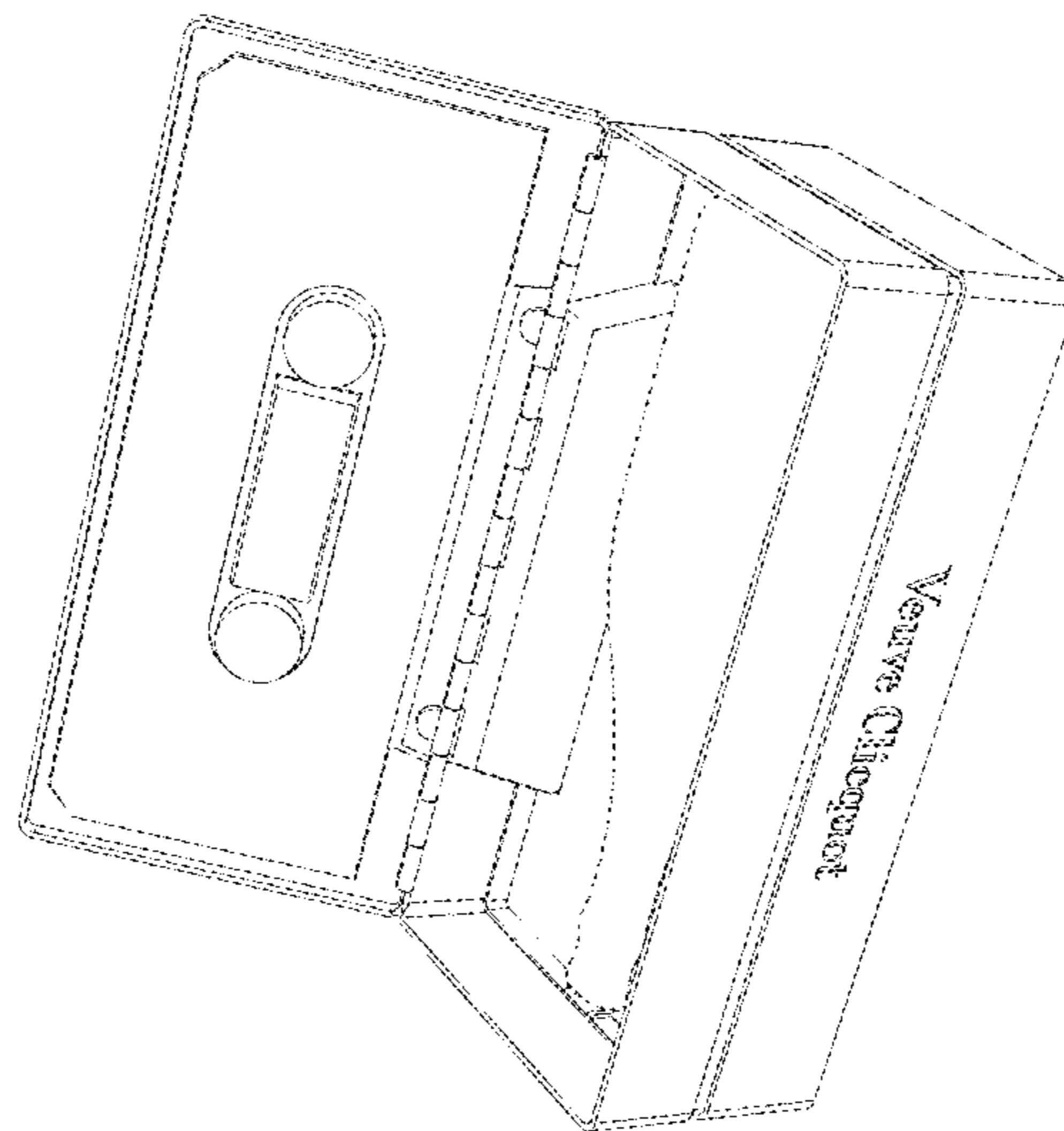
1.4



1.5



1.6



1.7