



US00D934675S

(12) **United States Design Patent** (10) **Patent No.:** **US D934,675 S**  
**Kim et al.** (45) **Date of Patent:** **\*\* Nov. 2, 2021**

(54) **PRODUCT PACKAGING ELEMENT**

(71) Applicant: **Lexmark International, Inc.**,  
Lexington, KY (US)

(72) Inventors: **Hyeob Kim**, Independence, KY (US);  
**Thomas Eugene Pangburn**,  
Winchester, KY (US)

(73) Assignee: **Lexmark International, Inc.**,  
Lexington, KY (US)

(\*\*) Term: **15 Years**

(21) Appl. No.: **29/711,378**

(22) Filed: **Oct. 30, 2019**

(51) **LOC (13) Cl.** ..... **09-03**

(52) **U.S. Cl.**  
USPC ..... **D9/415**

(58) **Field of Classification Search**  
USPC ..... D9/414–418, 455, 443, 434; D6/515,  
D6/682.1, 513, 323, 315; D20/42;  
D7/510

CPC ... B65D 73/0064; B29C 63/02; B29C 33/005;  
A47F 7/12

See application file for complete search history.

(56) **References Cited**

**U.S. PATENT DOCUMENTS**

D419,064 S \* 1/2000 Gorry ..... D9/415  
D440,873 S \* 4/2001 Van Horn ..... D9/415  
D478,508 S \* 8/2003 Kumakura ..... D9/415  
D478,510 S \* 8/2003 Kumakura ..... D9/415  
7,219,807 B2 \* 5/2007 Kao ..... B29C 33/005  
206/376  
7,451,873 B2 \* 11/2008 Chow ..... B65D 73/0064  
206/389  
D581,985 S \* 12/2008 Spratt ..... D20/42  
D603,262 S \* 11/2009 Dickinson ..... D20/42  
D605,937 S \* 12/2009 Lovelace, Jr. .... D9/434

D618,542 S \* 6/2010 Bertken ..... D9/415  
D672,159 S \* 12/2012 Lee ..... D6/315  
D714,135 S \* 9/2014 Chang ..... D9/415  
D717,160 S \* 11/2014 Kurniawan ..... D9/415  
D818,775 S \* 5/2018 Woodruff ..... D7/510  
D827,315 S \* 9/2018 Taylor ..... D6/323  
10,099,461 B2 \* 10/2018 Hoshikawa ..... B29C 63/02  
D843,128 S \* 3/2019 Pena ..... D6/515  
10,426,285 B2 \* 10/2019 Miki ..... A47F 7/12  
D868,576 S \* 12/2019 Rosebrook ..... D9/418  
D877,610 S \* 3/2020 Martin ..... D9/415  
D880,296 S \* 4/2020 Hamel ..... D9/443  
D881,012 S \* 4/2020 Salow ..... D9/457  
D885,909 S \* 6/2020 Franzone, Jr. .... D9/455  
D887,167 S \* 6/2020 Carr ..... D6/513  
D887,753 S \* 6/2020 Hughes ..... D6/682.1  
D891,251 S \* 7/2020 MacDonald ..... D9/455  
D910,755 S \* 2/2021 Milbrandt ..... D20/22

\* cited by examiner

*Primary Examiner* — Rhea Shields

(57) **CLAIM**

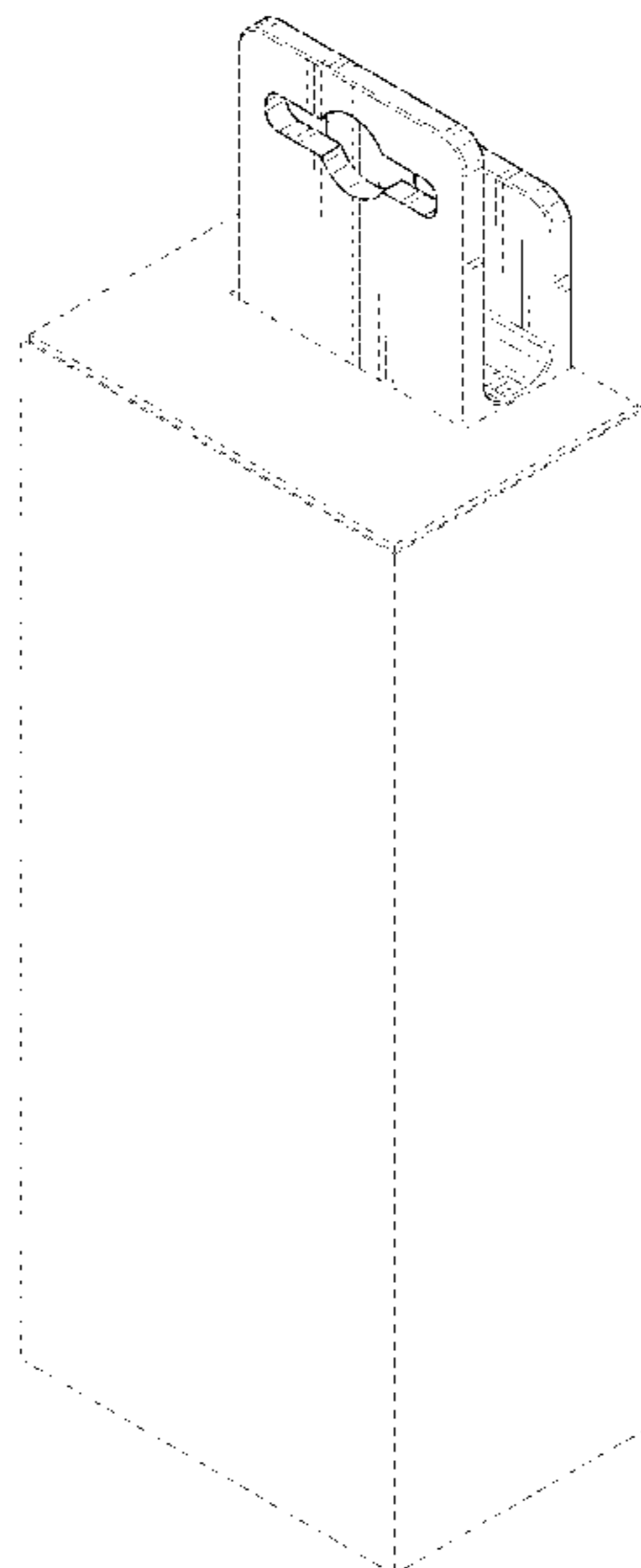
The ornamental design for a product packaging element, as shown and described.

**DESCRIPTION**

FIG. 1 is a front, top, and right side perspective view of a product packaging element showing our new design; FIG. 2 is an isolated front, top, and right side perspective view thereof; FIG. 3 is a rear, bottom, and left side perspective thereof; FIG. 4 is front elevation thereof; FIG. 5 is a right side elevation thereof; FIG. 6 is a rear elevation thereof; FIG. 7 is a left side elevation thereof; FIG. 8 is a top plan view thereof; and, FIG. 9 is a bottom plan view thereof.

The features shown in broken lines depict environmental subject matter only and form no part of the claimed design.

**1 Claim, 8 Drawing Sheets**



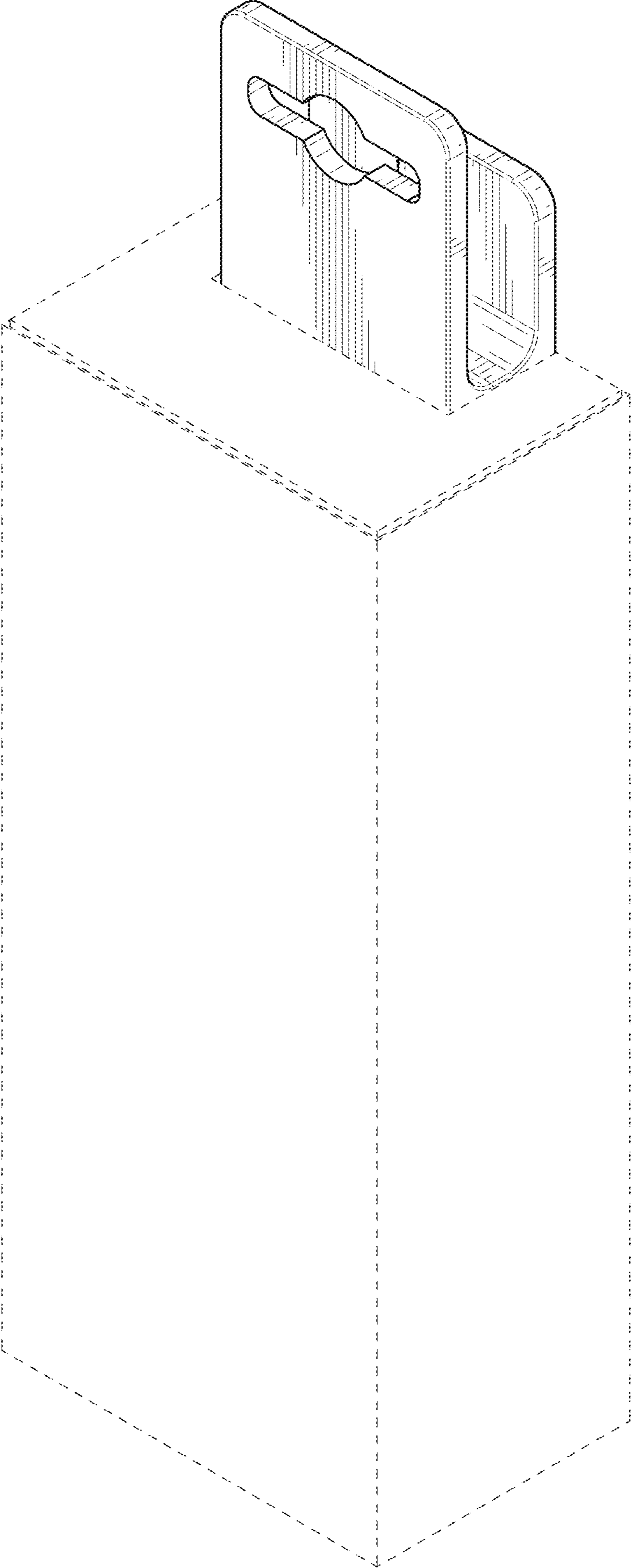


FIG. 1

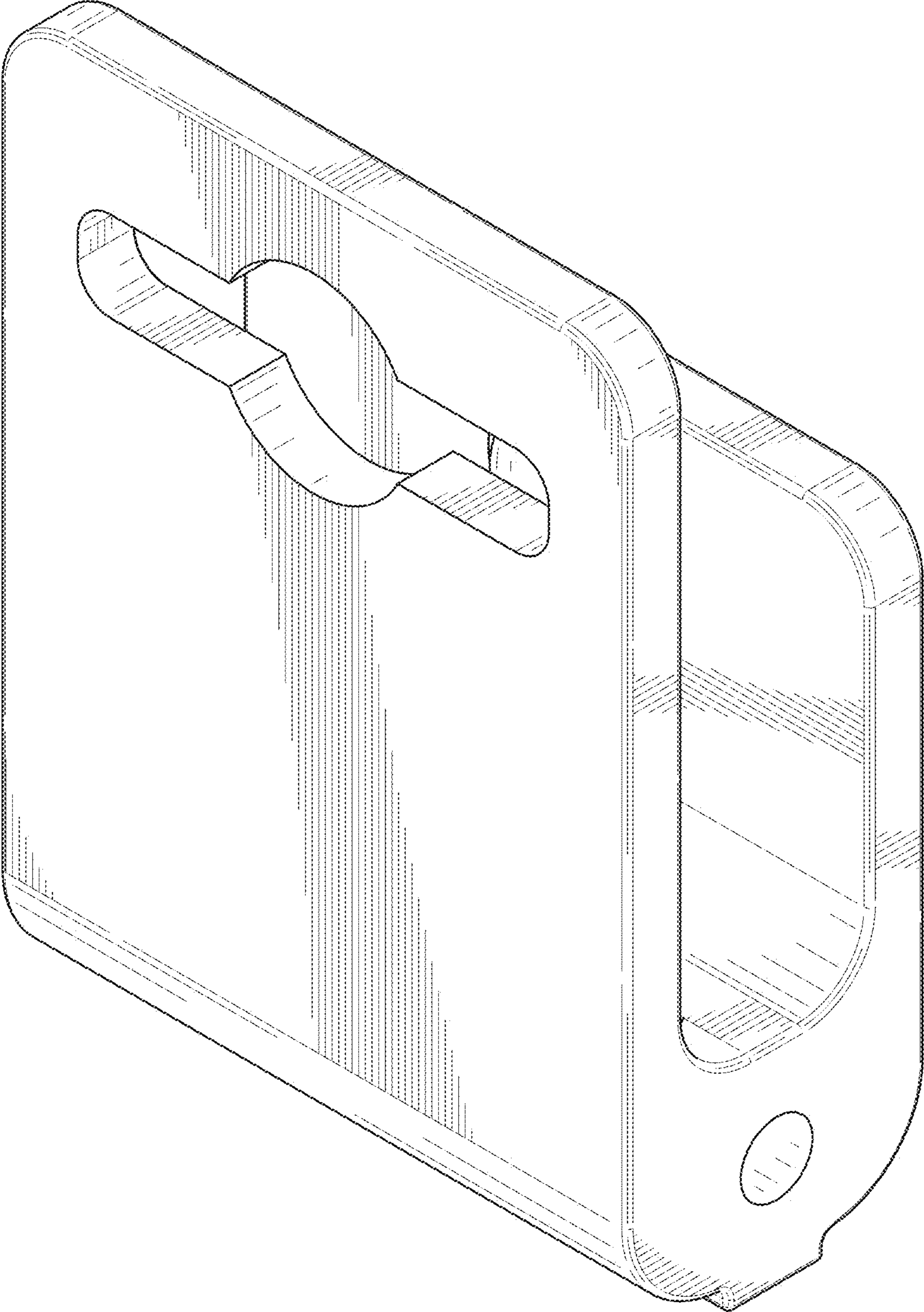


FIG. 2

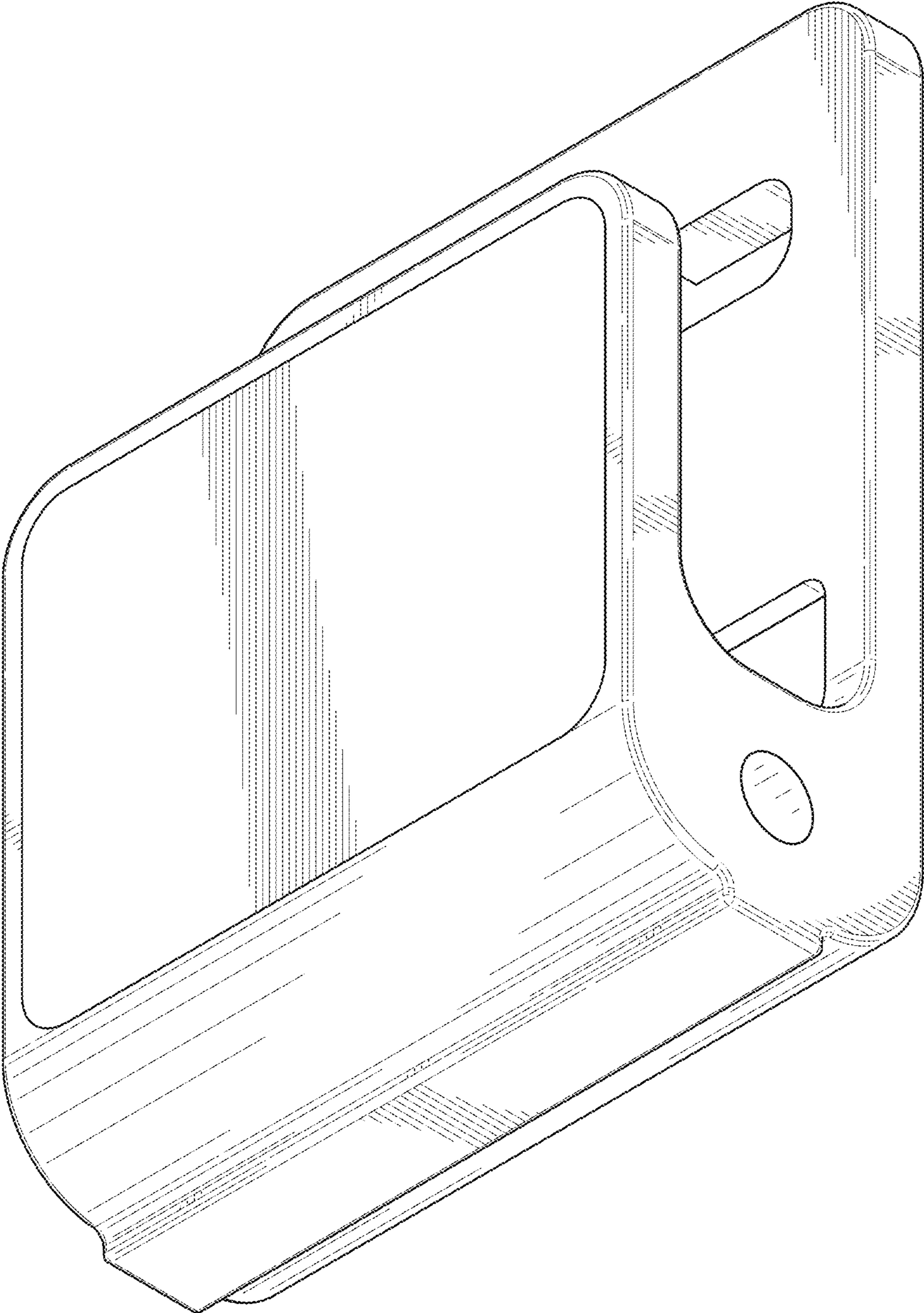


FIG. 3

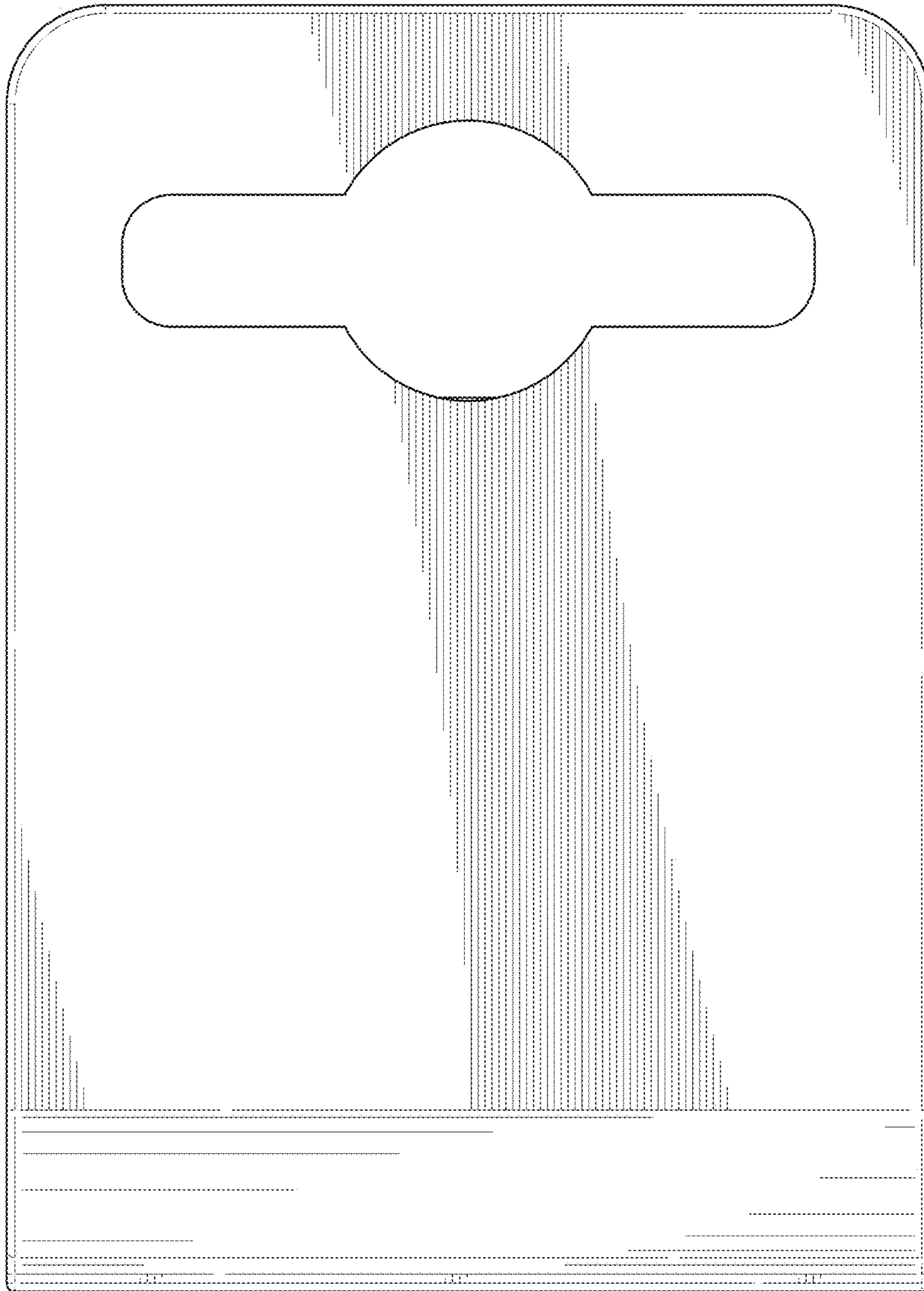


FIG. 4

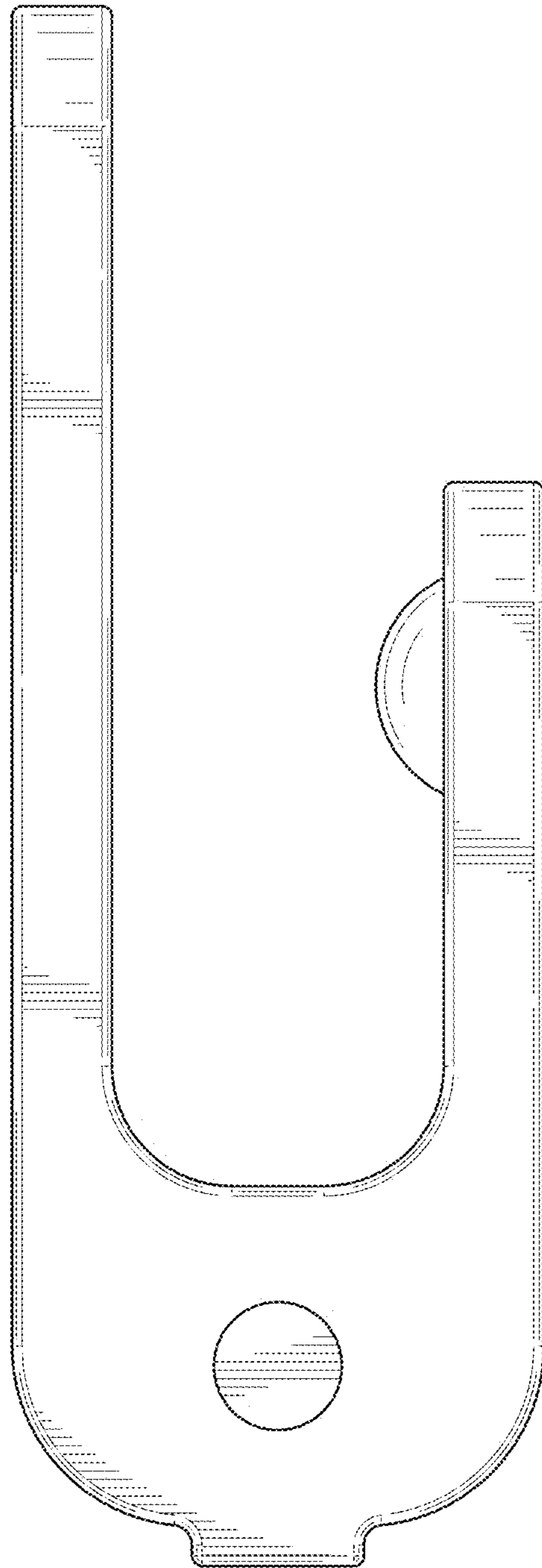


FIG. 5

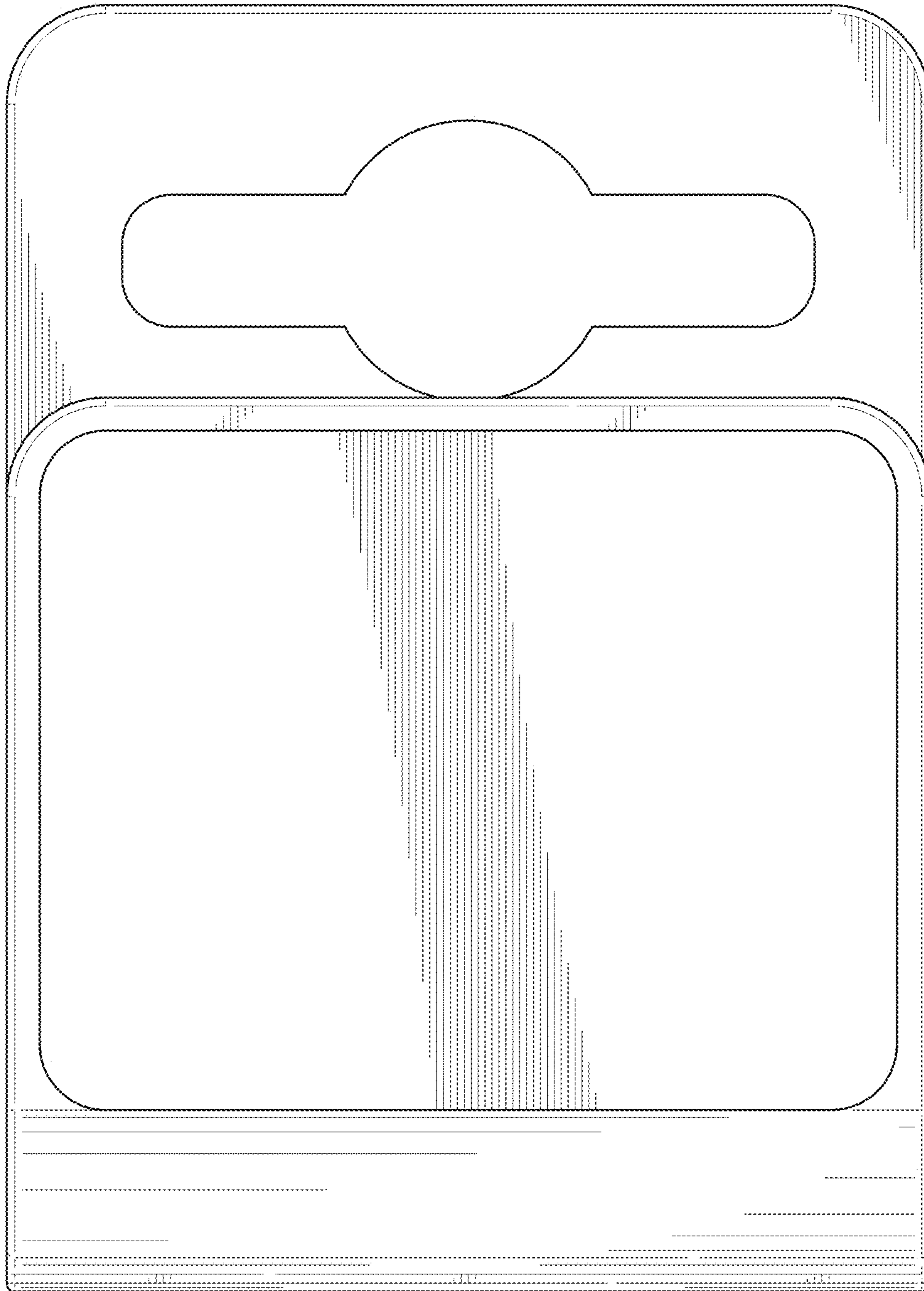


FIG. 6

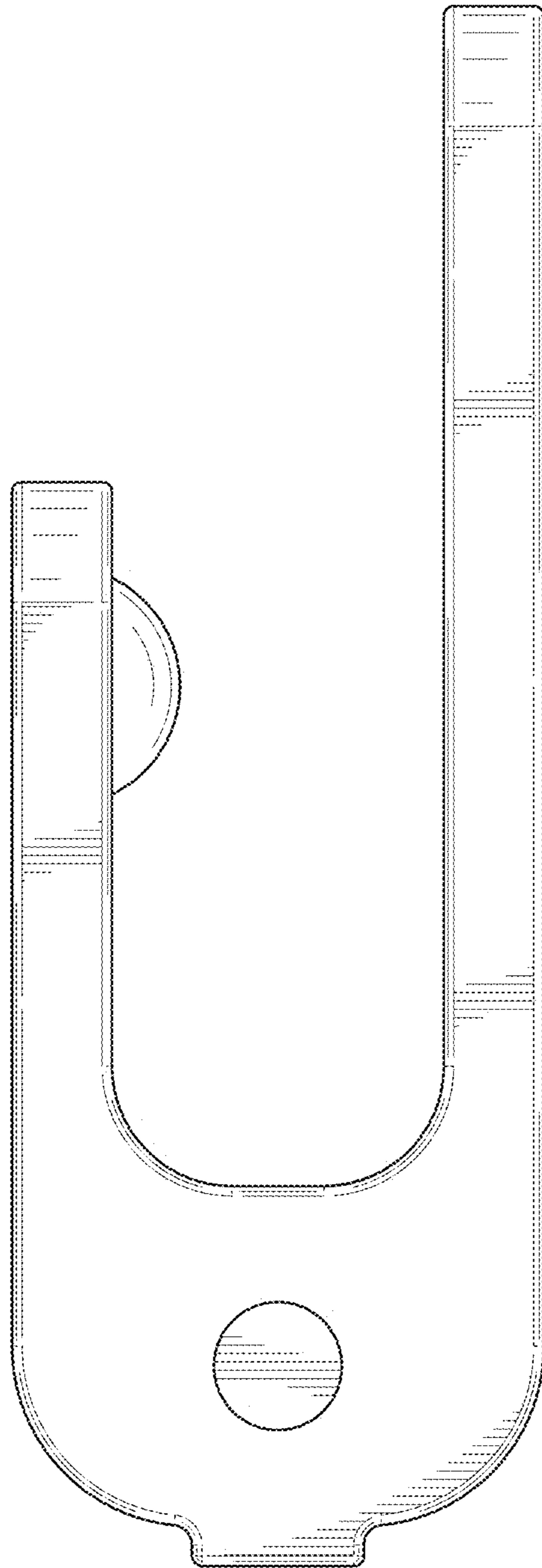


FIG. 7



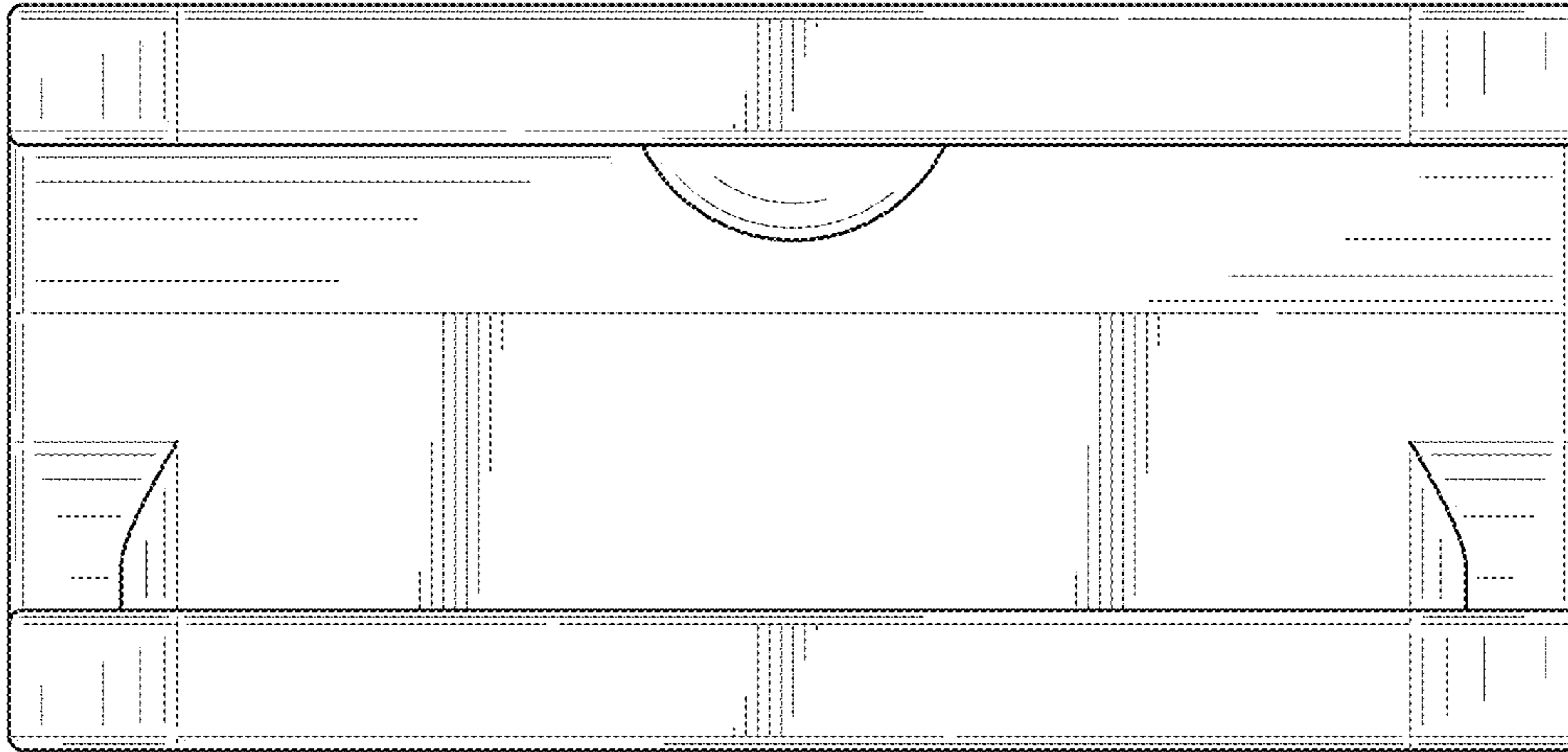


FIG. 8

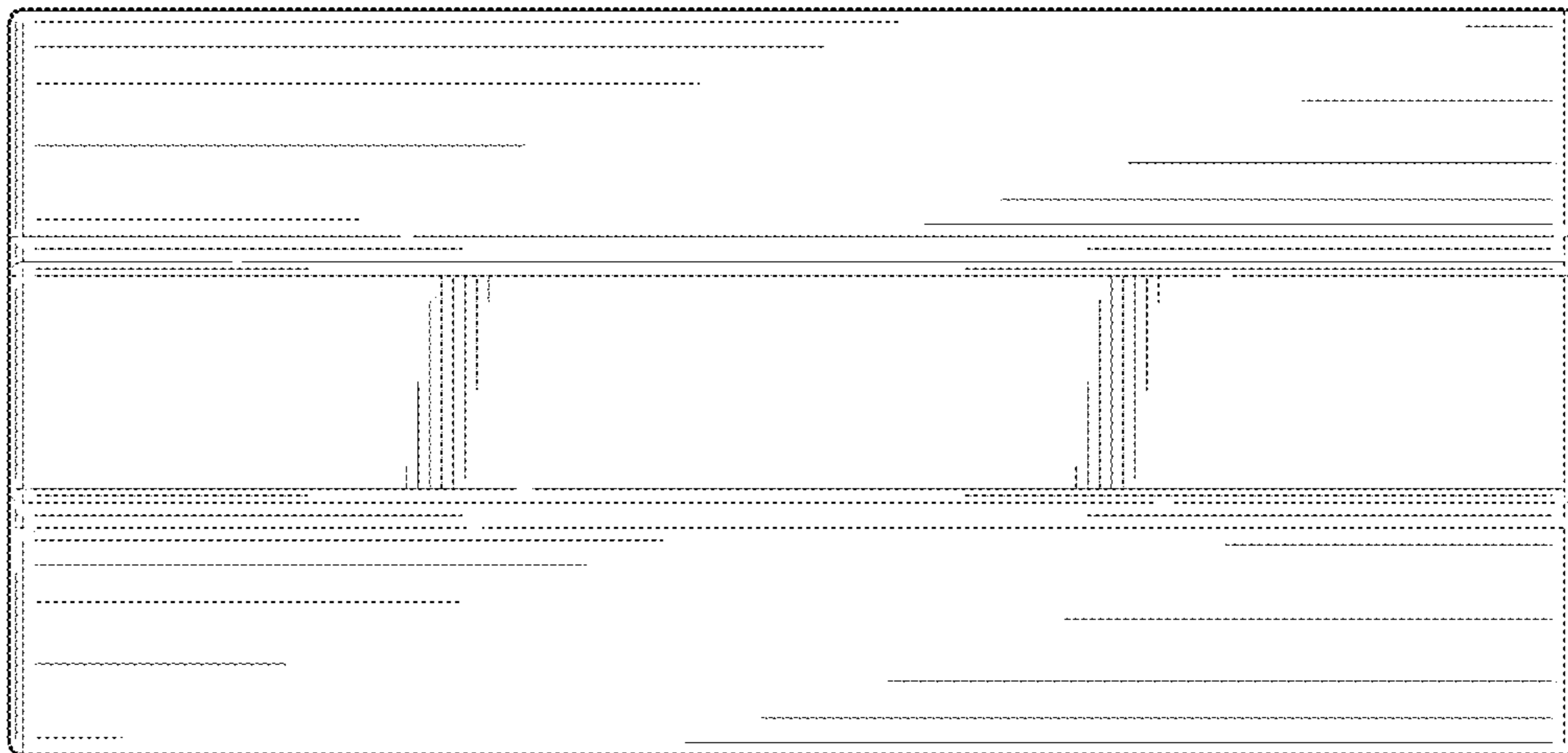


FIG. 9