



US00D934671S

(12) **United States Design Patent** (10) **Patent No.:** **US D934,671 S**
MacDonald et al. (45) **Date of Patent:** **** Nov. 2, 2021**

- (54) **DOOR JAMB**
- (71) Applicant: **Endura Products, Inc.**, Colfax, NC (US)
- (72) Inventors: **Kevin T. MacDonald**, Greensboro, NC (US); **Tomasz Jaskiewicz**, Colfax, NC (US); **Eric Johnson**, Edenton, NC (US)
- (73) Assignee: **Endura Products, LLC**, Colfax, NC (US)
- (**) Term: **15 Years**
- (21) Appl. No.: **29/696,796**
- (22) Filed: **Jul. 1, 2019**
- (51) **LOC (13) Cl.** **08-09**
- (52) **U.S. Cl.**
USPC **D8/400**
- (58) **Field of Classification Search**
USPC D13/133; D8/400, 380–381, 499;
D25/60–61, 119–126, 35, 43–44, 55–57
CPC E05D 15/0652; E05F 11/02; E06B 1/32;
E06B 1/34; E06B 1/524; E06B
2003/7049
See application file for complete search history.

5,873,209 A	2/1999	Hagel	52/656.4
5,987,843 A	11/1999	Canfield	52/656.4
6,003,277 A	12/1999	Graham et al.	52/309.7

(Continued)

OTHER PUBLICATIONS

Royal Building Products, Date Visited: Jun. 4, 2021, Home Depot, Date Available: Jun. 4, 2021, <https://www.homedepot.com/p/Royal-Building-Products-7241-1-1-4-in-x-6-9-16-in-x-84-in-White-PVC-Door-Jamb-Frame-Kit-0724117005/206632096> (Year: 2021).*

Primary Examiner — Susan Bennett Hattan

Assistant Examiner — Elizabeth S Ko

(74) *Attorney, Agent, or Firm* — MacCord Mason PLLC

(57) **CLAIM**

The ornamental design for a door jamb, as shown and described.

DESCRIPTION

FIG. 1 is an end view of another embodiment of the door jamb of FIG. 1;

FIG. 2 is another end view of the embodiment of FIG. 1 that shows the claimed design with the unclaimed environment removed;

FIG. 3 is a perspective view of the embodiment of FIG. 1;

FIG. 4 is an end view of another embodiment of the door jamb of FIG. 1;

FIG. 5 is another end view of the embodiment of FIG. 4, that shows the claimed design with the unclaimed environment removed; and,

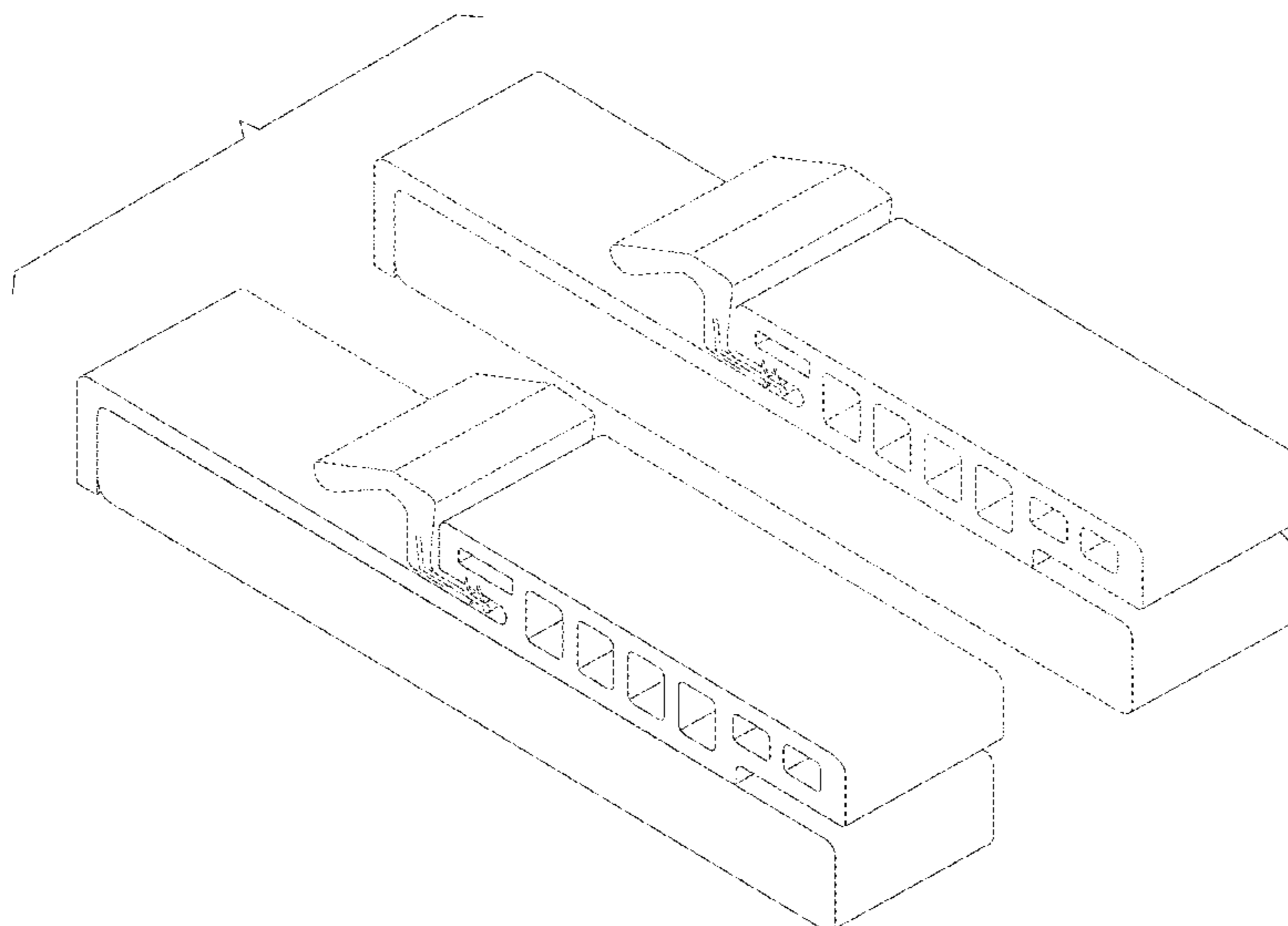
FIG. 6 is a perspective view of the embodiment of FIG. 4. The broken lines shown in the drawings depict environment and portions of the door jamb that form no part of the claimed design. The claimed design is shown with a symbolic break in its length. The appearance of any portion of the door jamb between the broken lines form no part of the claim.

1 Claim, 4 Drawing Sheets

(56) **References Cited**

U.S. PATENT DOCUMENTS

4,281,480 A	8/1981	Wemdt	49/504
4,439,935 A	4/1984	Langenhorst	52/211
D296,135 S *	6/1988	Dreiling	D25/136
5,058,323 A	10/1991	Gerritsen	49/504
5,203,130 A	4/1993	Freelove	52/211
5,435,106 A	7/1995	Garries et al.	52/204.5
5,491,951 A	2/1996	Rigelman	52/309.16
5,511,355 A	4/1996	Dingler	52/729.5
5,528,869 A	6/1996	Boomer et al.	52/212
5,634,303 A	6/1997	Ellingson	52/210
5,758,458 A	6/1998	Ridge	52/204.1
5,759,680 A	6/1998	Brooks et al.	428/326
5,836,118 A	11/1998	Thornton et al.	52/204.1



(56)

References Cited

U.S. PATENT DOCUMENTS

6,125,605	A	10/2000	Young	52/717.01	8,857,107	B1	10/2014	Key	49/460
6,148,582	A	11/2000	Ellingson	52/656.4	9,803,413	B2	10/2017	MacDonald	1/32
6,378,266	B1	4/2002	Ellingson	52/656.4	D846,157	S *	4/2019	Luvison	D25/123
6,453,631	B1	9/2002	Headrick	52/210	D850,657	S *	6/2019	Luvison	D25/123
D473,661	S *	4/2003	Kim	D25/122	10,941,606	B1 *	3/2021	Kendall	E06B 1/524
6,557,309	B1	5/2003	Johnson	52/210	2002/0174610	A1	11/2002	Bennett et al.	52/204.1
6,604,334	B2	8/2003	Rochman	52/717.01	2005/0257455	A1	11/2005	Fagan	52/210
6,679,004	B1	1/2004	Olberding et al.	49/460	2006/0123720	A1	6/2006	Lin	52/211
D487,936	S *	3/2004	Habeck	D25/124	2007/0074469	A1	4/2007	Plagemann et al.	52/204.1
6,766,621	B2	7/2004	Reppermund	52/204.1	2008/0178553	A1	7/2008	Micho et al.	52/656.4
D501,260	S *	1/2005	Mitrevis	D25/124	2009/0255197	A1	10/2009	Chapman	52/210
D501,937	S *	2/2005	Mitrevis	D25/124	2010/0192489	A1	8/2010	An	52/210
6,922,969	B1	8/2005	Mina	52/738.1	2011/0083368	A1 *	4/2011	Lin	E06B 5/161
D513,806	S *	1/2006	Mitrevis	D25/124					49/7
7,160,601	B2	1/2007	Ellingson	428/158	2011/0138714	A1	6/2011	Van Seters	52/204.5
D570,203	S *	6/2008	Shiomoto	24/297	2015/0015133	A1 *	1/2015	Carbajal	A47F 3/04
7,765,768	B2	8/2010	Liang et al.	52/784.1					312/405
7,930,866	B2	4/2011	Carlson et al.	52/834	2015/0247349	A1 *	9/2015	Terno	E05D 15/0652
7,971,400	B2	7/2011	Boldt et al.	52/204.1					49/409
8,178,643	B2	5/2012	Edstrom et al.	528/60	2016/0153705	A1 *	6/2016	Dubuc	F25D 23/028
D662,613	S *	6/2012	Williams	D25/126					312/405.1
8,230,652	B2	7/2012	An	52/210	2018/0216344	A1 *	8/2018	Battaglia	E04B 1/8209
8,266,856	B2	7/2012	An	52/210	2018/0335078	A1 *	11/2018	Andersson	F16C 29/005
8,371,079	B2	2/2013	An et al.	52/210	2019/0071863	A1 *	3/2019	Ting	E04B 2/967
8,438,808	B2	5/2013	Carlson et al.	52/309.16	2019/0128048	A1	5/2019	MacDonald et al.	1/52
8,499,509	B2	8/2013	Sibbett	52/211	2019/0226257	A1 *	7/2019	Fontijn	E05D 15/0656
8,621,794	B2	1/2014	An et al.	52/210	2020/0191464	A1 *	6/2020	Avhale	F25D 23/028
8,793,945	B2	8/2014	An et al.	1/52	2020/0263419	A1 *	8/2020	Stahl, Jr.	E04B 2/96
					2020/0352355	A1 *	11/2020	Diederichs	A47F 3/0434
					2021/0032872	A1 *	2/2021	Clarke, Jr.	E04F 13/074

* cited by examiner

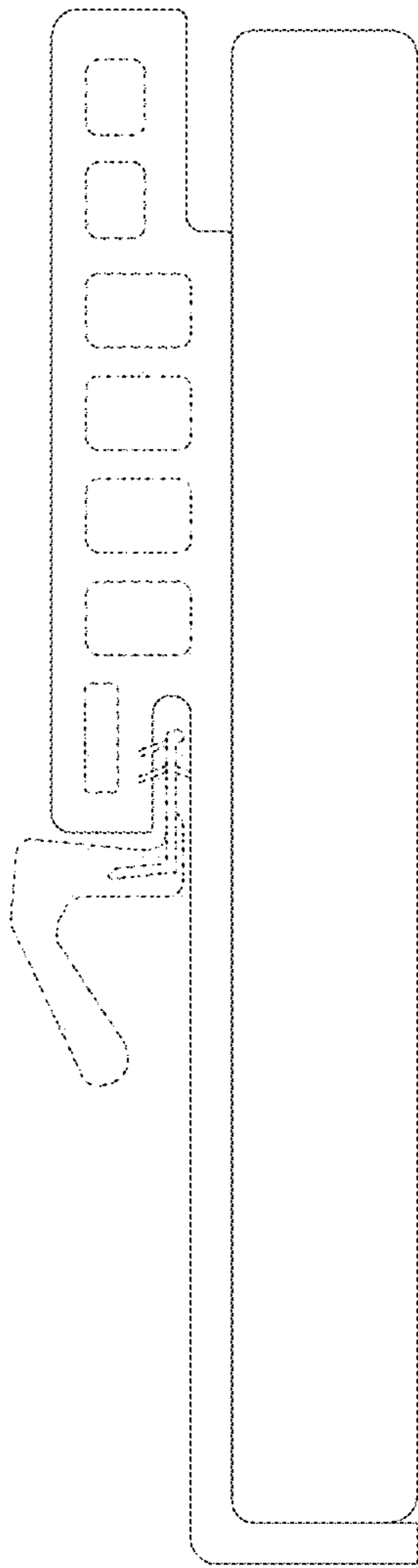


FIG. 1

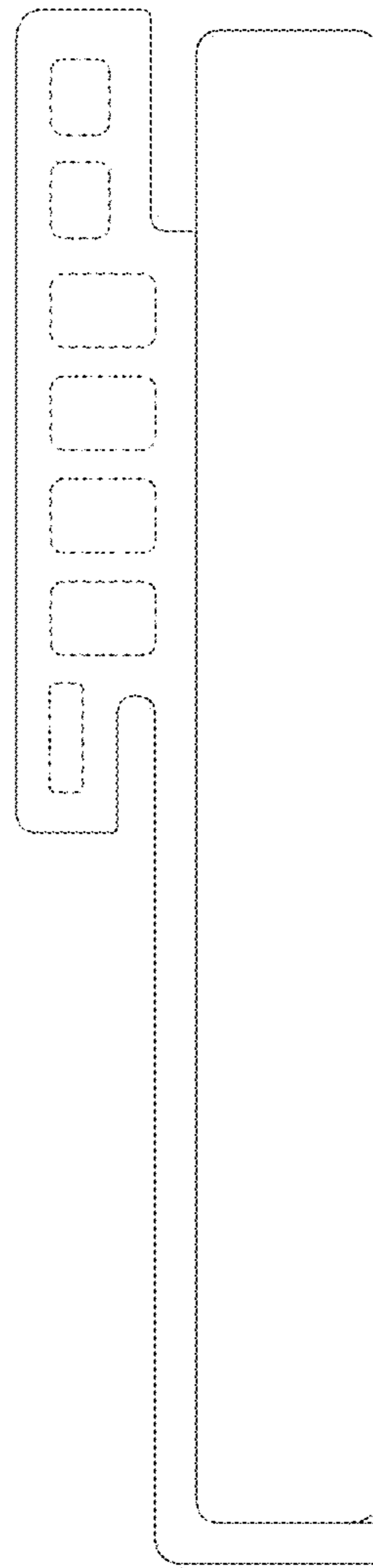


FIG. 2

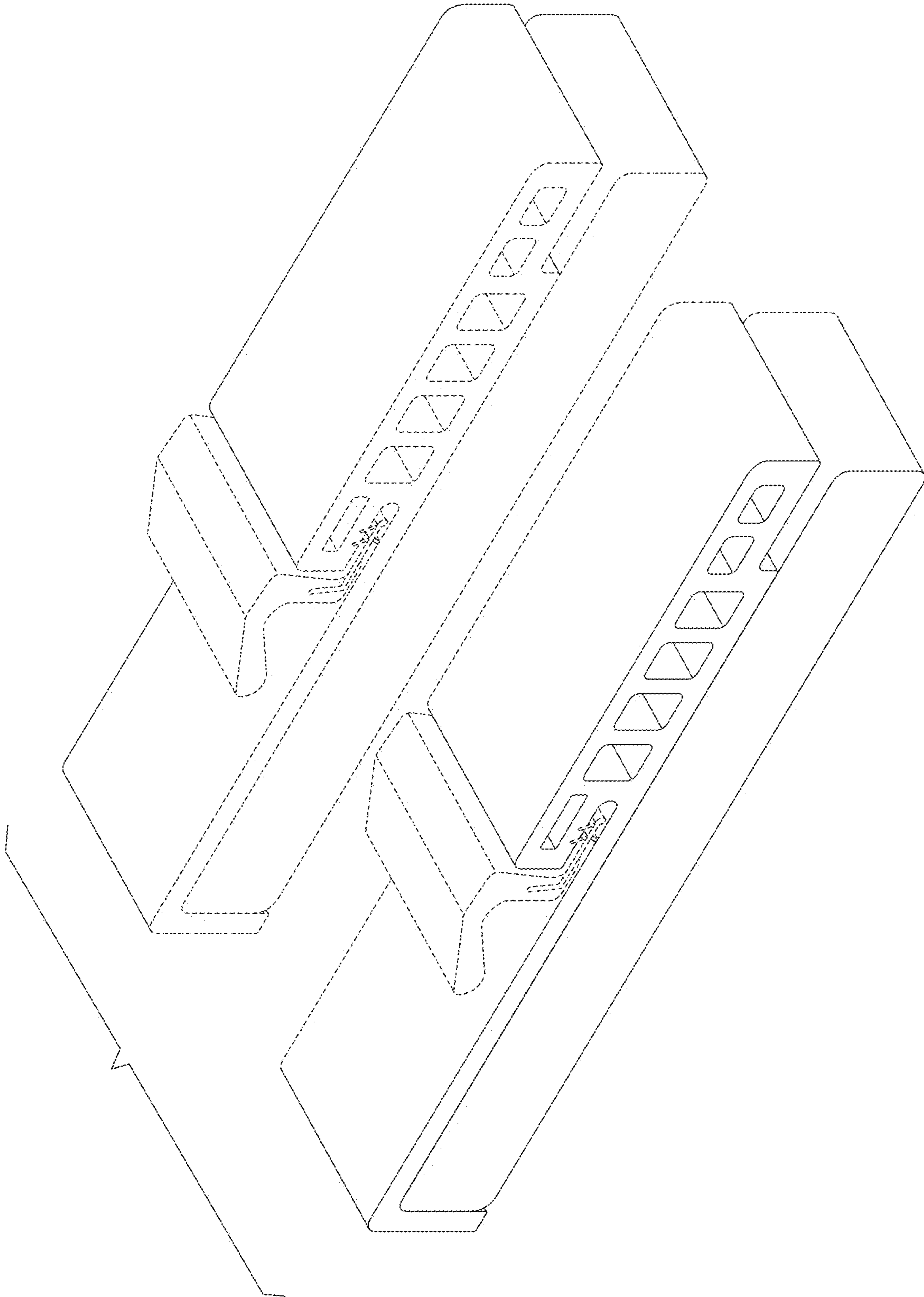


FIG. 3

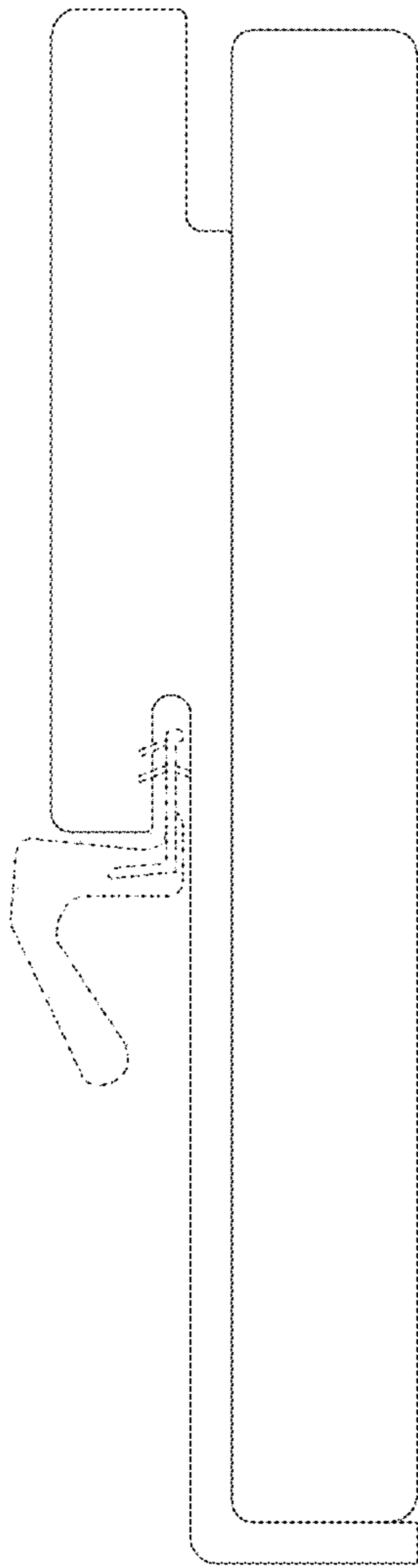


FIG. 4

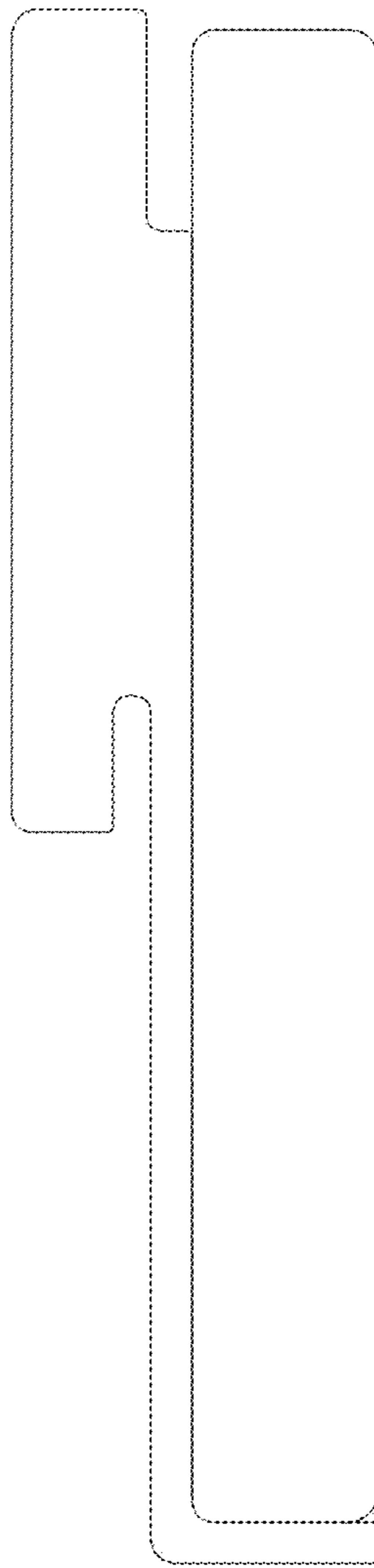


FIG. 5

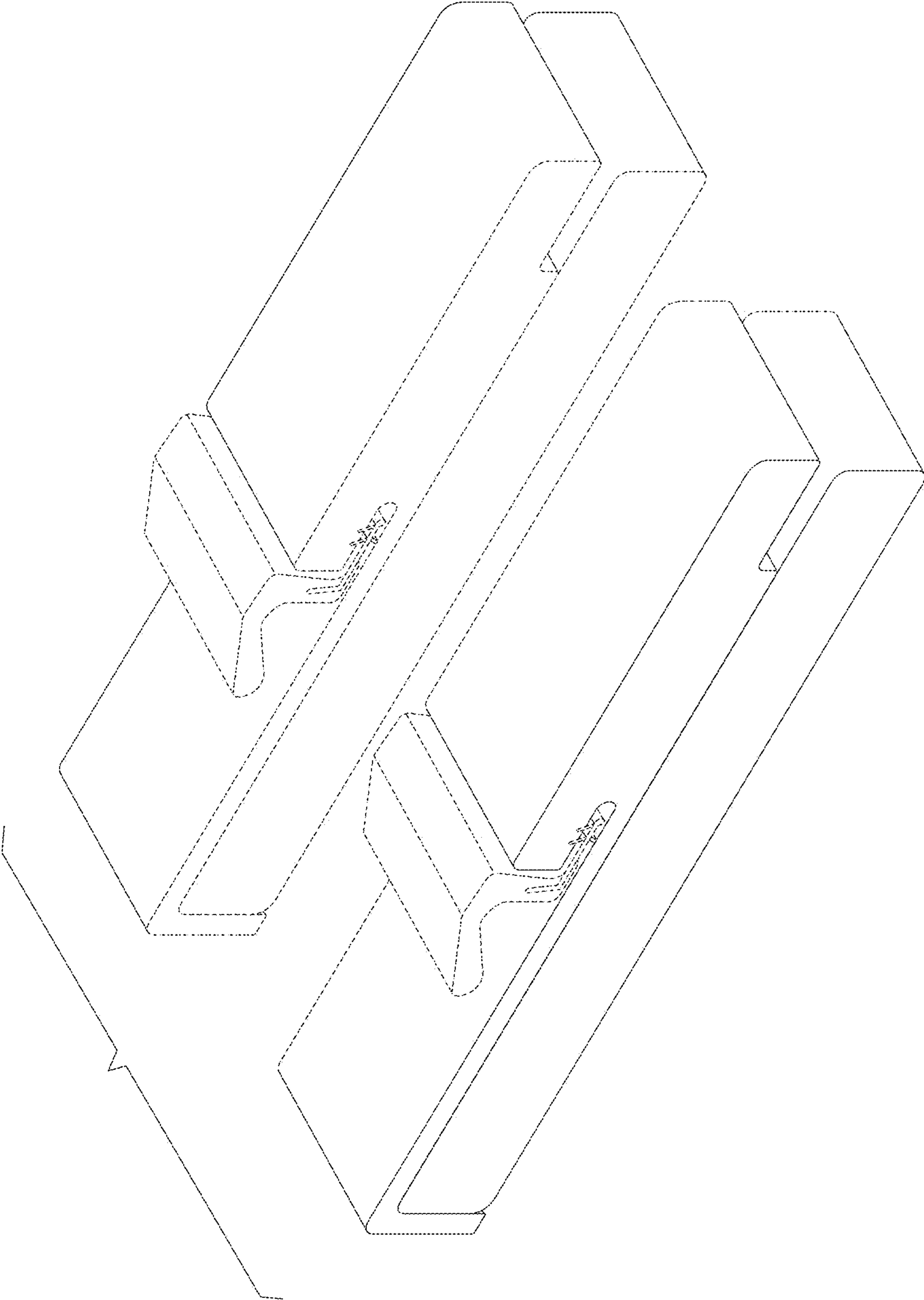


FIG. 6