

US00D934669S

(12) **United States Design Patent** (10) **Patent No.:** **US D934,669 S**
Lehle (45) **Date of Patent:** **** Nov. 2, 2021**

(54) **CLIP**
(71) Applicant: **Helmut Franz Wilhelm Lehle,**
Johannesburg (ZA)
(72) Inventor: **Helmut Franz Wilhelm Lehle,**
Johannesburg (ZA)
(**) Term: **15 Years**

D803,473 S * 11/2017 Sonneman D26/138
D815,517 S * 4/2018 Van Fleet D8/396
D824,755 S * 8/2018 Bauer D8/394
D826,023 S * 8/2018 Chun D8/72
10,527,269 B2 * 1/2020 Sonneman F21S 8/065
D893,875 S * 8/2020 Hsieh D3/313
D922,186 S * 6/2021 Schneider D8/394
2006/0011566 A1 * 1/2006 Guy A47B 81/005
211/60.1
2006/0230587 A1 * 10/2006 Okada B60R 13/0206
24/297

(21) Appl. No.: **29/728,548**
(22) Filed: **Mar. 19, 2020**
(51) **LOC (13) Cl.** **08-08**
(52) **U.S. Cl.**
USPC **D8/394**
(58) **Field of Classification Search**
USPC D8/72-73, 367, 394-396; D23/259, 269;
D24/155
CPC A47F 7/00; H01R 13/639; F16B 45/02;
F16B 2/06; A61F 5/448; F16L 33/06;
F16L 37/00; F16L 23/06; A47K 13/10;
A61B 17/08
See application file for complete search history.

(Continued)

FOREIGN PATENT DOCUMENTS

CN 302947923 * 9/2014

OTHER PUBLICATIONS

Drain Tube Clamp, Husky Portable Containment website 2021, site visited Aug. 7, 2021, <https://www.huskyportable.com/aluminum-drain-tube-clamp>.*

Primary Examiner — John R Yeh
(74) *Attorney, Agent, or Firm* — Tutunjian & Bitetto, P.C.

(57) **CLAIM**

The ornamental design for a clip, as shown and described.

(56) **References Cited**

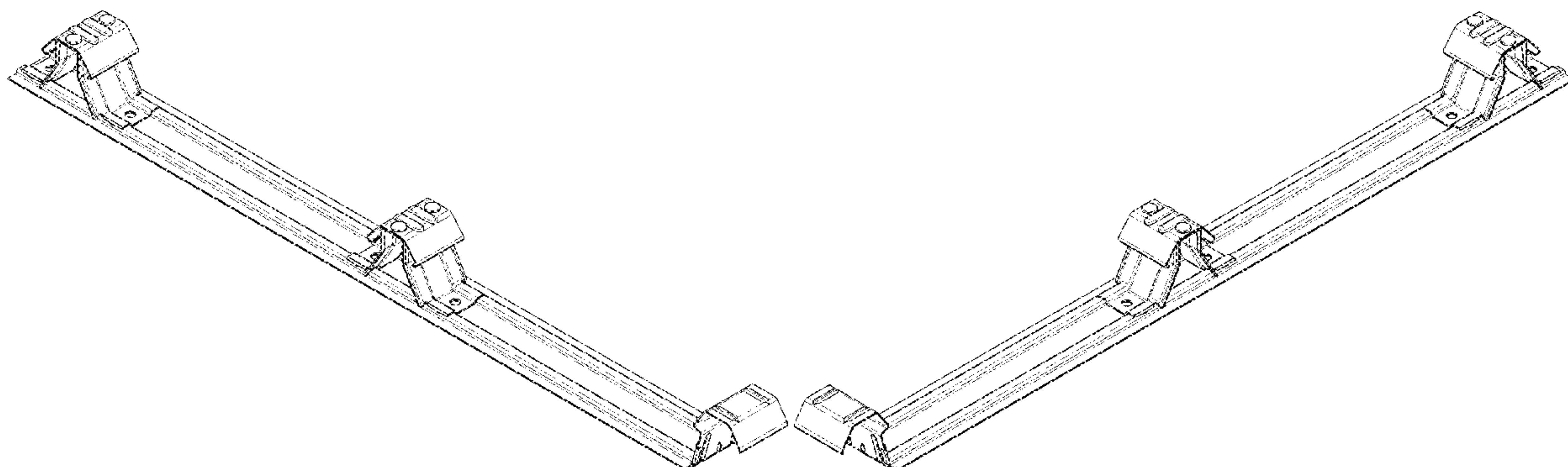
U.S. PATENT DOCUMENTS

D384,459 S * 9/1997 Eisenman D28/39
5,713,108 A * 2/1998 Solomon B65D 33/1675
24/30.5 R
D404,504 S * 1/1999 Dickey D25/125
D423,353 S * 4/2000 Blanchard D9/435
6,863,675 B2 * 3/2005 Wilson, Jr. A61B 17/122
7,441,669 B1 * 10/2008 Dalbey A63B 60/60
211/85.7
D632,554 S * 2/2011 Grzyb D8/395
8,056,736 B2 * 11/2011 Dientsmann A47F 7/0028
211/70.2
D656,006 S * 3/2012 Underkofler D8/394
D747,636 S * 1/2016 Maher D8/72
D748,462 S * 2/2016 Taghizadeh D8/394
D789,778 S * 6/2017 White, Sr. D8/396

DESCRIPTION

FIG. 1 is a top perspective view of the clip showing our new design;
FIG. 2 is another top perspective view thereof;
FIG. 3 is a bottom perspective view thereof;
FIG. 4 is another bottom perspective view thereof;
FIG. 5 is a top view thereof;
FIG. 6 is a bottom view thereof;
FIG. 7 is a left side view thereof;
FIG. 8 is a right side view thereof;
FIG. 9 is a front view thereof; and,
FIG. 10 is a rear view thereof.

1 Claim, 7 Drawing Sheets



(56)

References Cited

U.S. PATENT DOCUMENTS

2011/0112559 A1* 5/2011 Monassevitch A61B 17/12
606/151

* cited by examiner

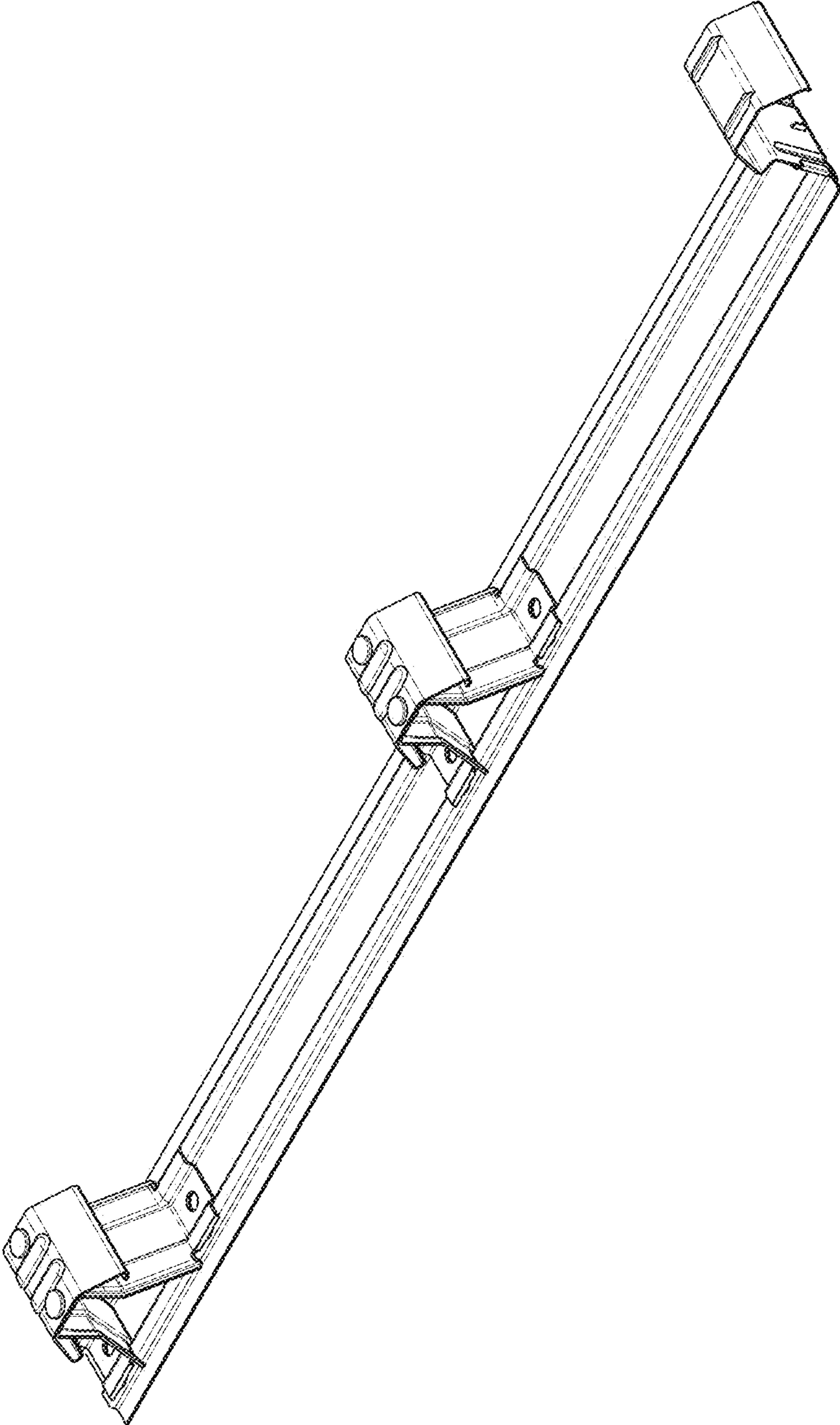


FIG. 1

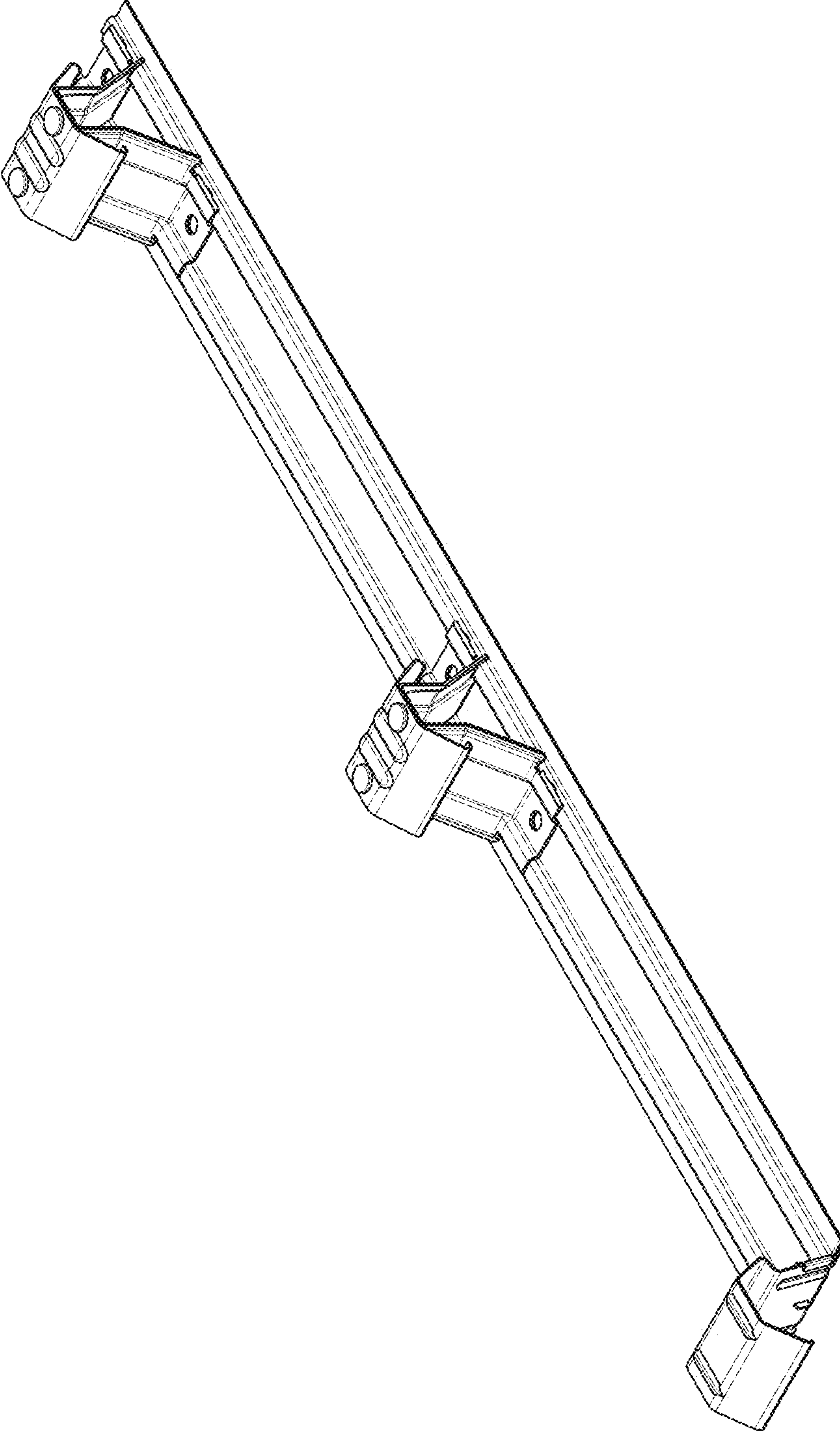


FIG. 2

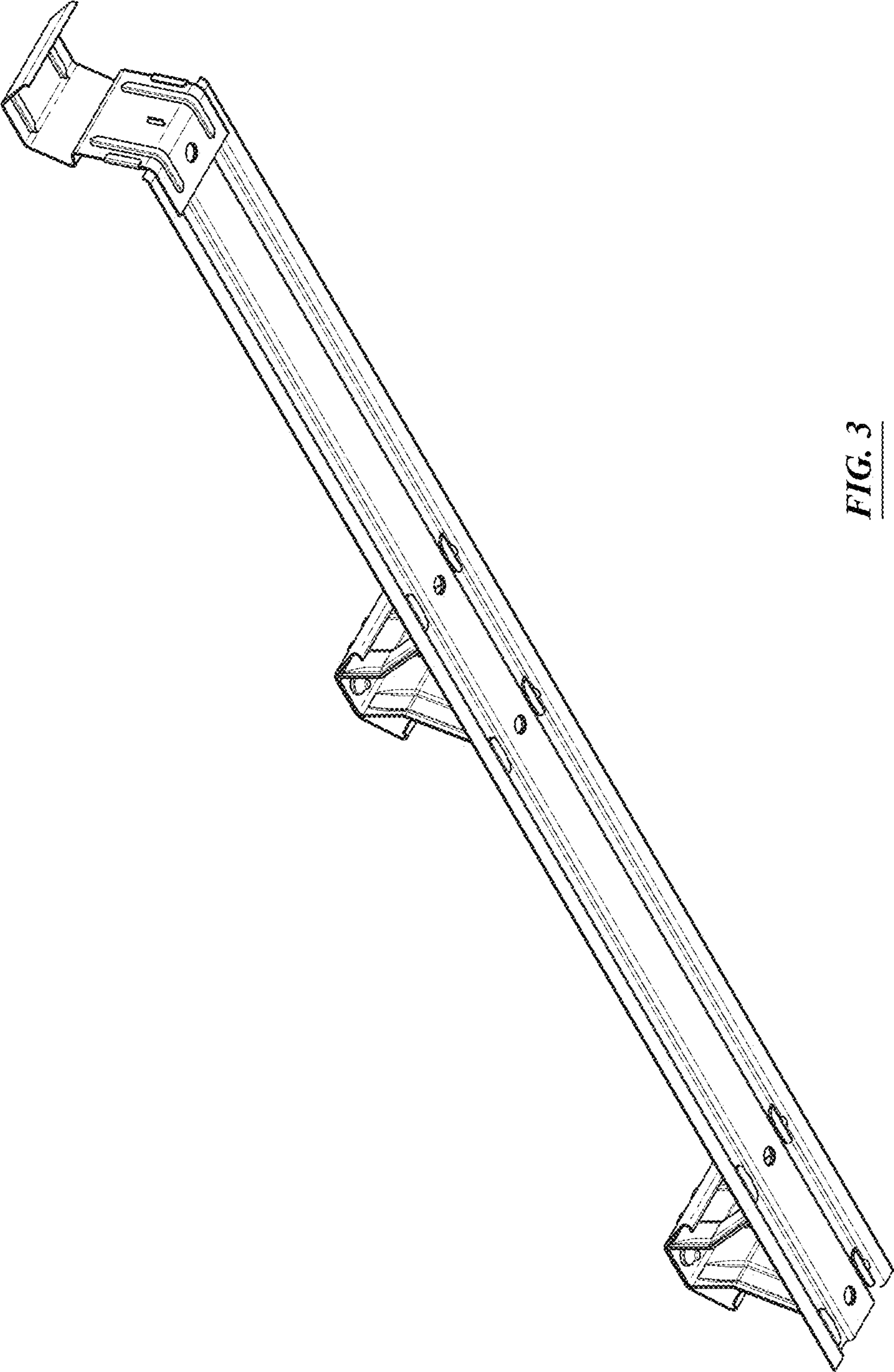


FIG. 3

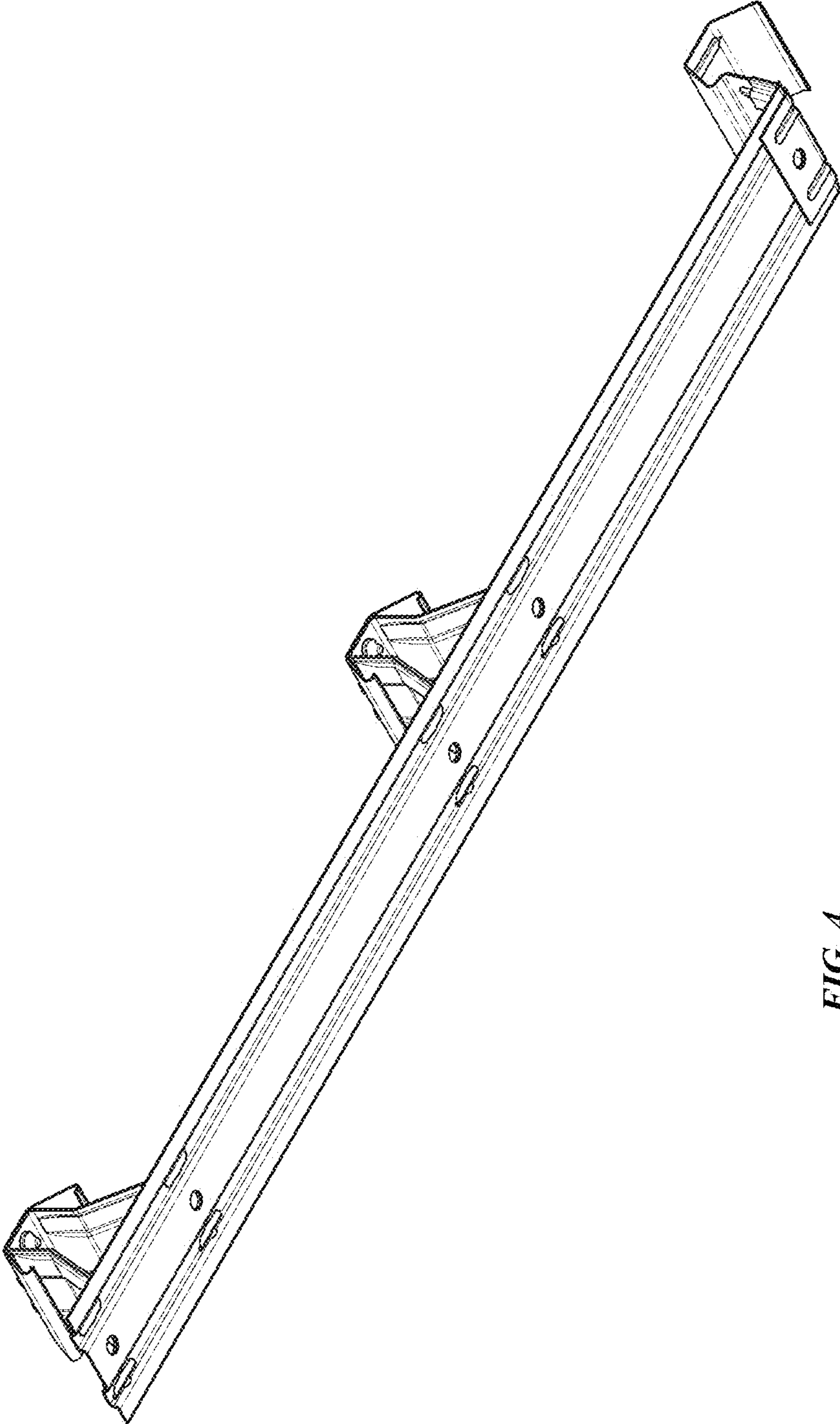


FIG. 4

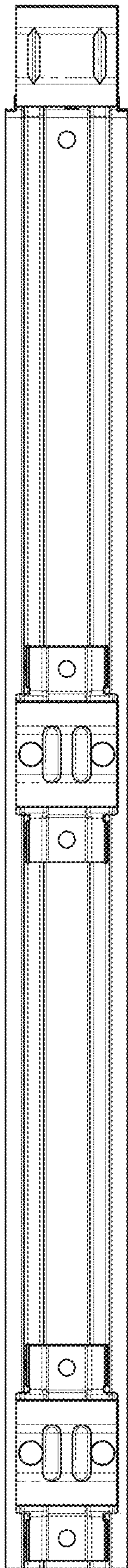


FIG. 5

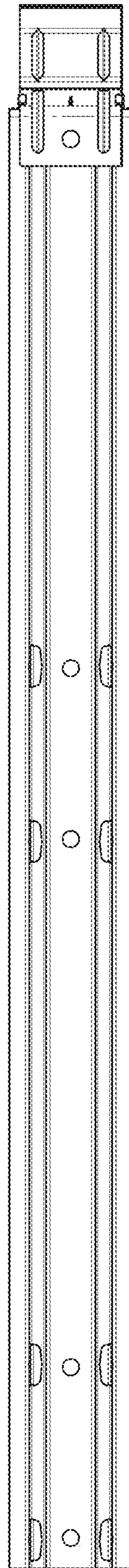


FIG. 6

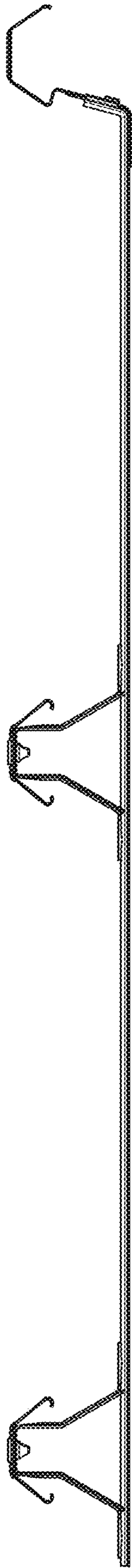


FIG. 7

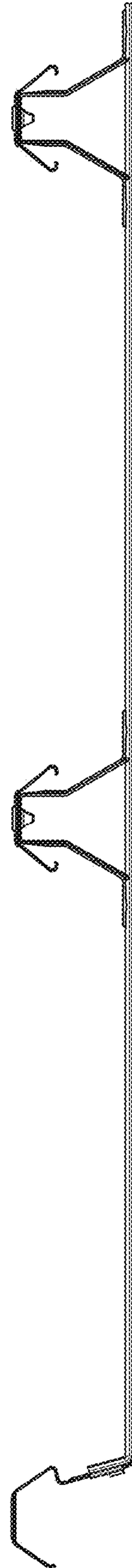


FIG. 8

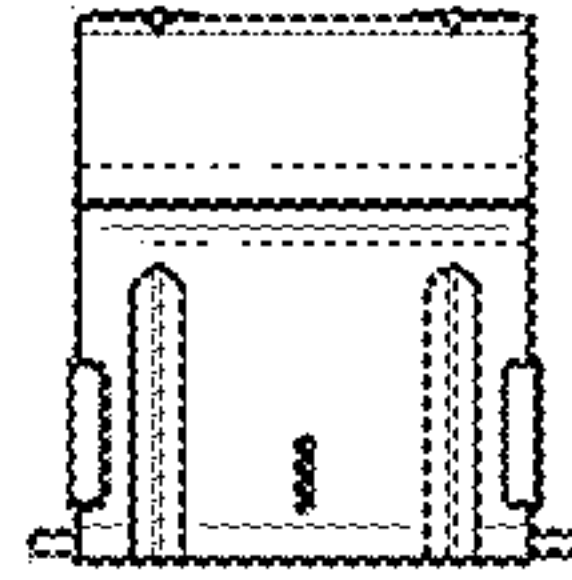


FIG. 9

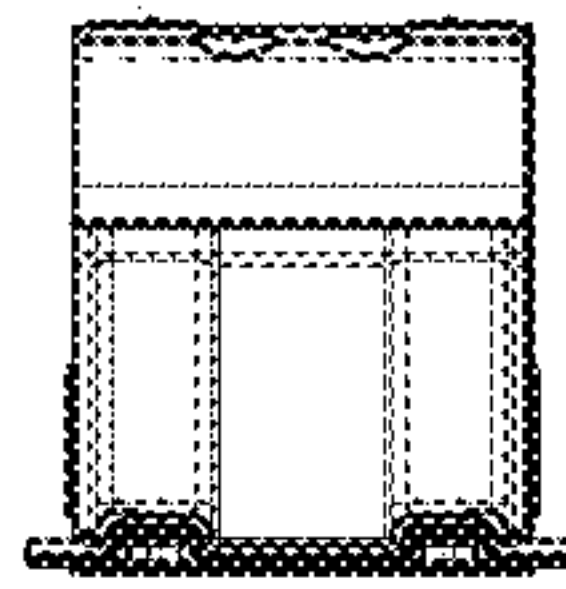


FIG. 10