



US00D934668S

(12) **United States Design Patent**
Petrunic et al.

(10) **Patent No.:** **US D934,668 S**

(45) **Date of Patent:** **** Nov. 2, 2021**

(54) **MESH WALL RIVET**

(71) Applicant: **KELTEKS d.o.o.**, Karlovac (HR)

(72) Inventors: **Srecko Petrunic**, Karlovac (HR);
Armando Maticic, Karlovac (HR)

(**) Term: **15 Years**

(21) Appl. No.: **35/510,065**

(22) Filed: **Jul. 31, 2020**

(80) **Hague Agreement Data**

Int. Filing Date: **Jul. 31, 2020**

Int. Reg. No.: **DM/209631**

Int. Reg. Date: **Jul. 31, 2020**

Int. Reg. Pub. Date: **Aug. 14, 2020**

(51) **LOC (13) Cl.** **08-08**

(52) **U.S. Cl.**
USPC **D8/386**

(58) **Field of Classification Search**
USPC D8/382, 385, 386
CPC A44B 17/0076; F16B 21/08; F16B 21/086
See application file for complete search history.

(56) **References Cited**

U.S. PATENT DOCUMENTS

D262,093 S * 12/1981 Bush 52/687
D275,554 S * 9/1984 Mizusawa D8/386
D456,699 S * 5/2002 Nakanishi D8/382
D622,581 S * 8/2010 Caggiano D8/382

D623,506 S * 9/2010 Ghatikar D8/382
D634,612 S * 3/2011 Ghatikar D8/382
D636,255 S * 4/2011 Suzuki D8/386
D665,245 S * 8/2012 Nakazato D8/382
D675,906 S * 2/2013 Erickson D8/386
D752,963 S * 4/2016 Kaupp D8/385
D770,266 S * 11/2016 Tar D8/382
D803,037 S * 11/2017 Maloney D8/382
D823,101 S * 7/2018 Wassdahl D8/382
D828,147 S * 9/2018 Kaupp D8/385
D884,552 S * 5/2020 Chen D11/220
D895,776 S * 9/2020 Horning D23/265

FOREIGN PATENT DOCUMENTS

IN 236579-0001 * 4/2012
WO WO D208322-001 * 6/2020

* cited by examiner

Primary Examiner — Deanna L Pratt

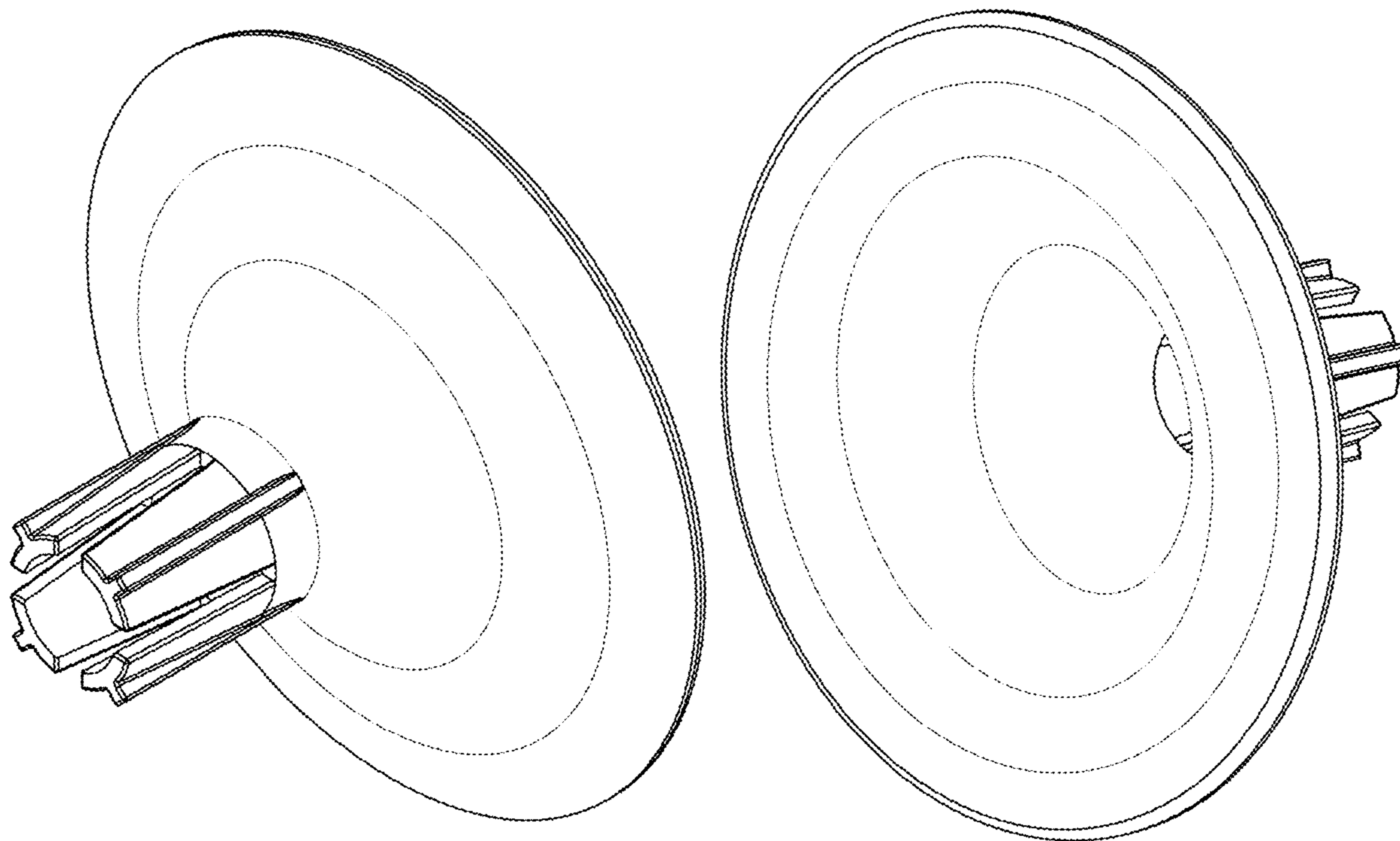
(57) **CLAIM**

The ornamental design for mesh wall rivet, as shown and described.

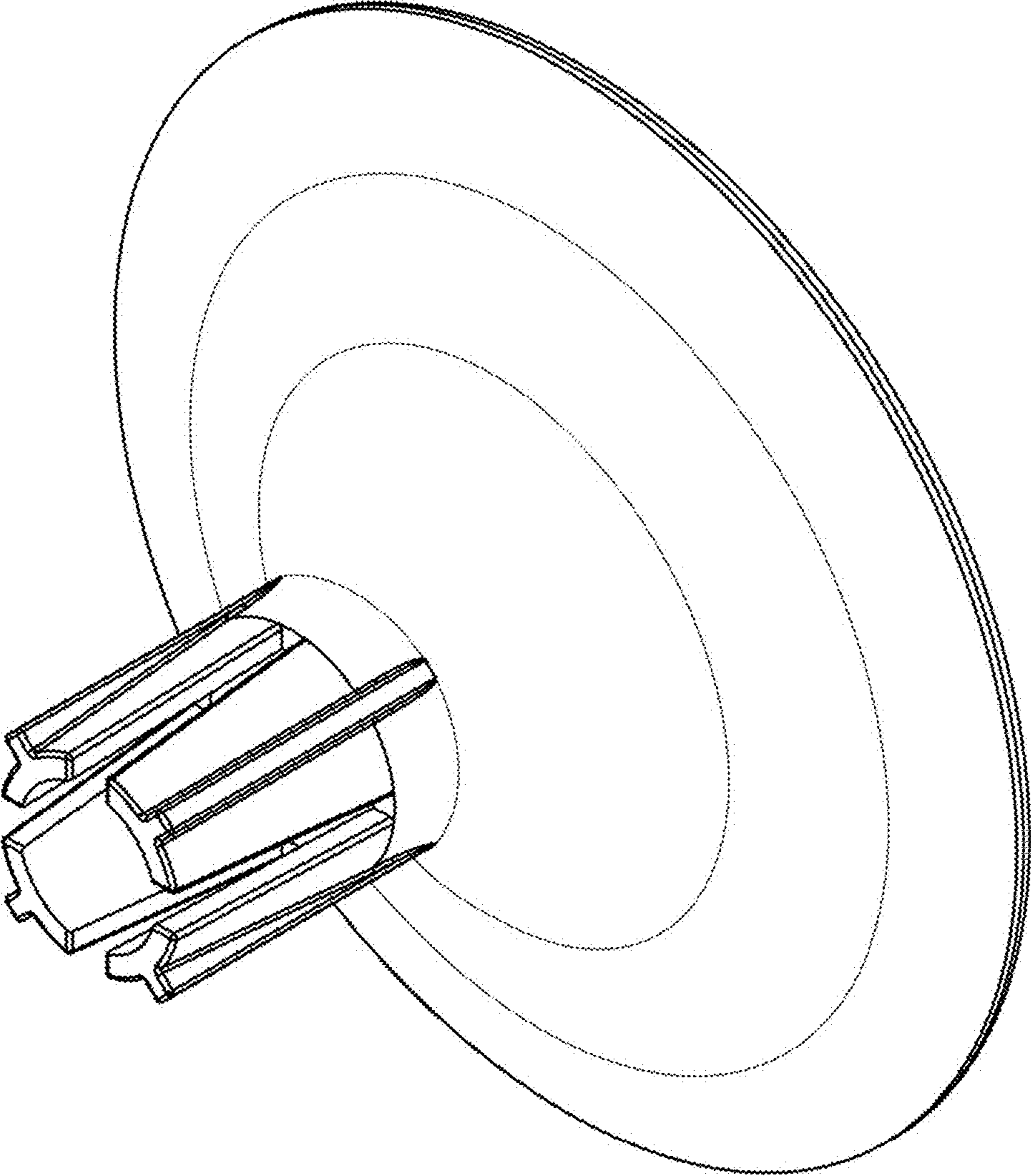
DESCRIPTION

- 1. Mesh wall rivet
- 1.1 : Perspective
- 1.2 : Perspective
- 1.3 : Side view
- 1.4 : Front
- 1.5 : Back

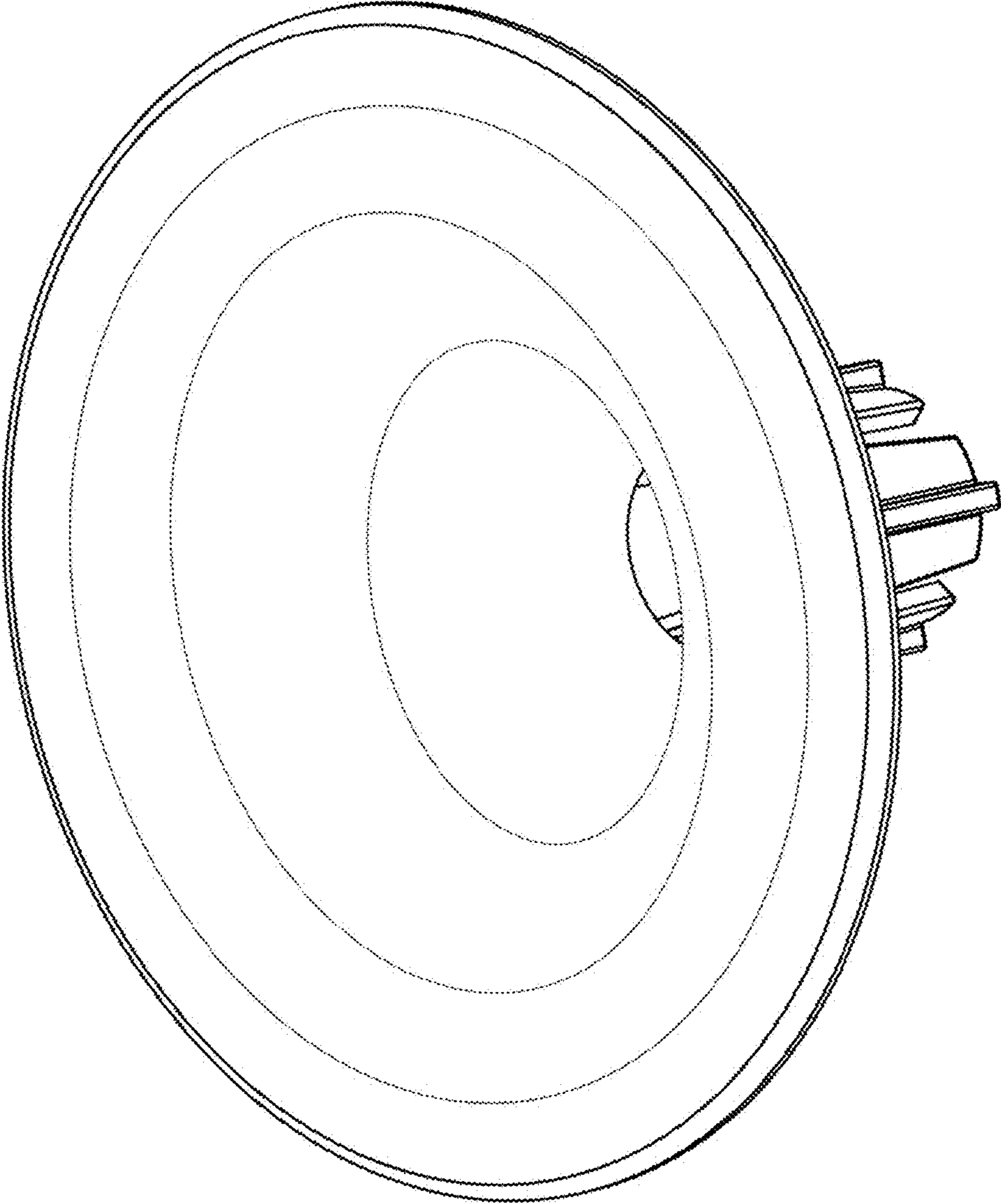
1 Claim, 5 Drawing Sheets



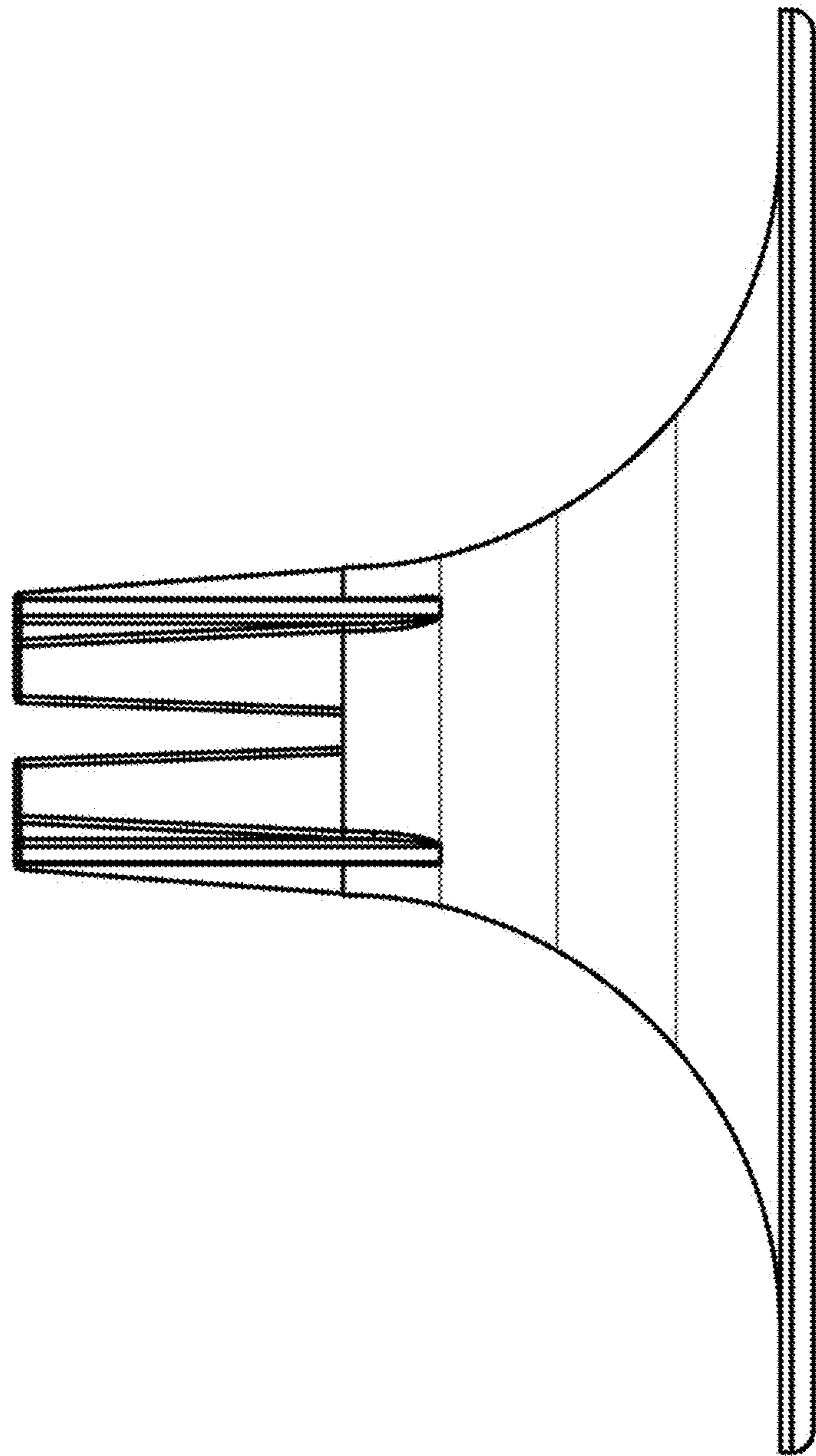
1.1



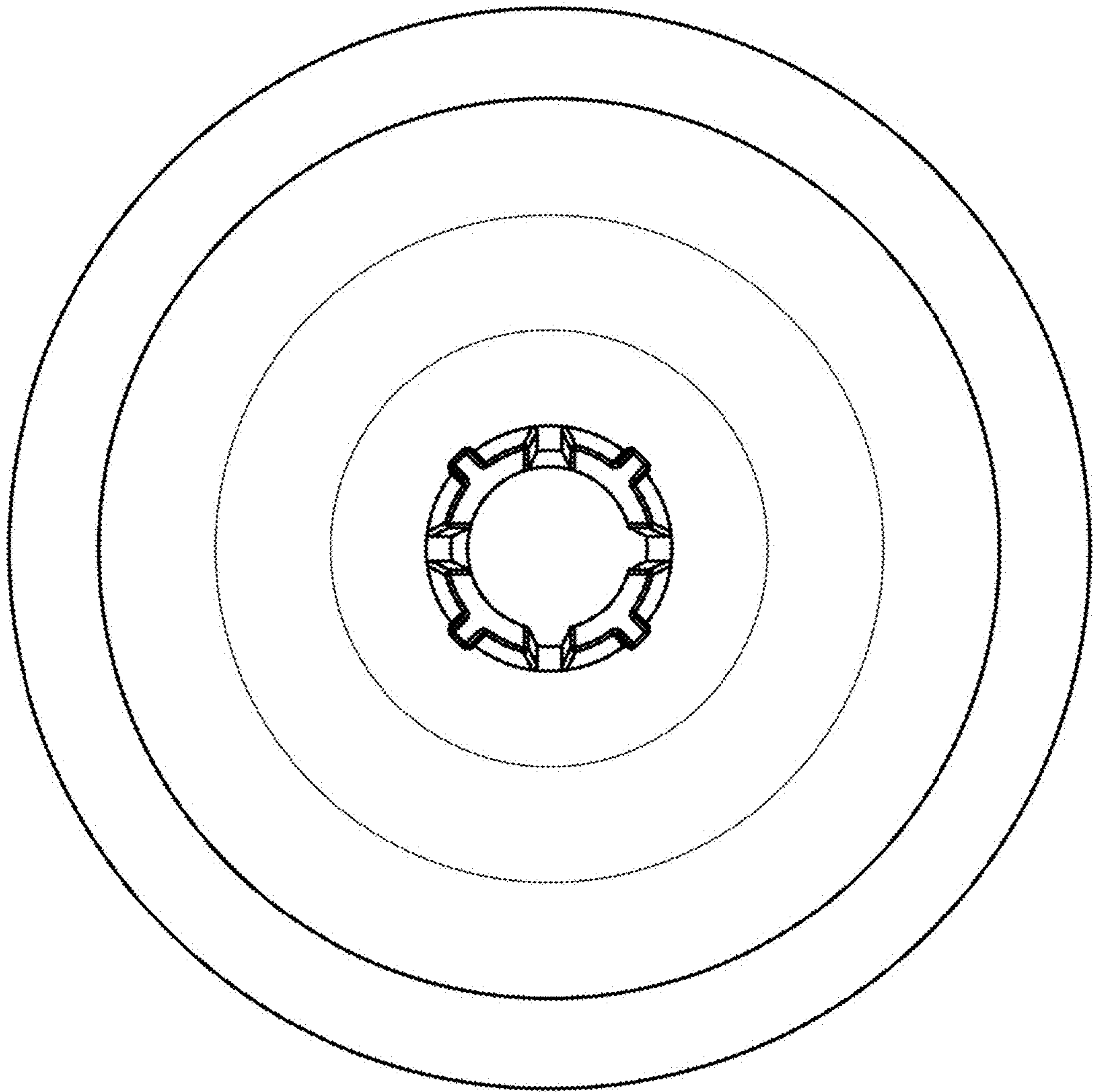
1.2



1.3



1.4



1.5

