



US00D934667S

(12) **United States Design Patent** (10) **Patent No.:** **US D934,667 S**
Oggier, III et al. (45) **Date of Patent:** **** Nov. 2, 2021**

- (54) **FEMALE CONNECTOR**
- (71) Applicant: **Atomic Design, Inc.**, Lititz, PA (US)
- (72) Inventors: **Josef W. Oggier, III**, Manheim, PA (US); **Nicolas Artale**, Lancaster, PA (US)
- (73) Assignee: **Atomic Design Inc.**, Lititz, PA (US)
- (**) Term: **15 Years**
- (21) Appl. No.: **29/707,016**
- (22) Filed: **Sep. 25, 2019**
- (51) **LOC (13) Cl.** **08-08**
- (52) **U.S. Cl.**
USPC **D8/382**
- (58) **Field of Classification Search**
USPC D8/382-383, 349, 393, 396-397, 399, D8/387; D11/79-80, 89, 93, 132
CPC A47G 1/06; A47G 1/065; A47G 1/0605; A47G 1/0633; A47G 1/0638; A47G 1/0644; A47G 1/08; A47G 1/10; A47G 1/14; A47G 1/141; A47G 1/142; A47G 1/16; A47G 1/1606; A47G 1/1613; A47G 2001/0661; A47G 2001/0672; A47G 2001/0688; A47G 2001/148; G09F 1/12
See application file for complete search history.

- D807,260 S * 1/2018 Young D12/180
 - D807,727 S * 1/2018 Krombein D8/354
 - D808,248 S * 1/2018 Krombein D8/354
- (Continued)

OTHER PUBLICATIONS

Merriway BH06020 Flat, Date Visited: Jun. 17, 2021, Amazon, Date Available: Aug. 10, 2017, <https://www.amazon.co.uk/Hardware-BH06020-Furniture-Cabinet-Locking/dp/B074Q2P394/> (Year: 2017).*
(Continued)

Primary Examiner — Susan Bennett Hattan
Assistant Examiner — Elizabeth S Ko
(74) *Attorney, Agent, or Firm* — Barley Snyder

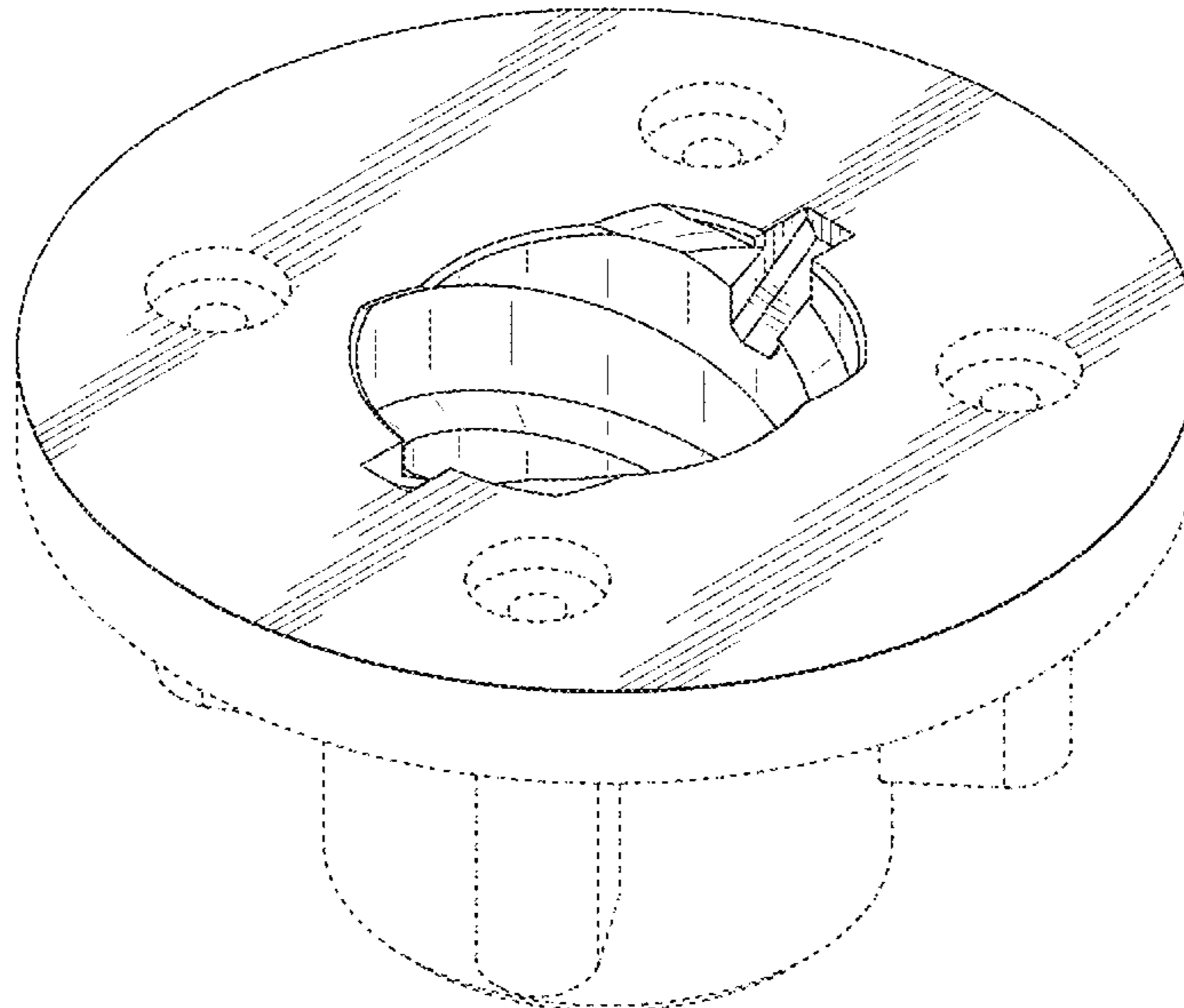
(57) **CLAIM**
A female connector design, as shown and described.

DESCRIPTION

FIG. 1 is a front, right, top perspective view of a female connector, showing the new design;
FIG. 2 is a front, left, top perspective view thereof;
FIG. 3 is a top plan view thereof;
FIG. 4 is a front elevation view thereof, the back elevation view being identical;
FIG. 5 is a bottom plan view thereof;
FIG. 6 is a left side elevation view thereof, the right side elevation being identical;
FIG. 7 is another front, right, top perspective view of the female connector;
FIG. 8 is a front, right, bottom perspective view of the female connector;
FIG. 9 is a cross sectional view of the female connector of FIG. 7; and,
FIG. 10 is a cross sectional view of the female connector of FIG. 7.
The broken lines shown in the Figures are included to show unclaimed subject matter only and form no part of the claimed design.

1 Claim, 6 Drawing Sheets

- (56) **References Cited**
U.S. PATENT DOCUMENTS
- | | | | | |
|--------------|---------|-----------|-------|--------|
| D272,718 S * | 2/1984 | Knudson | | D8/382 |
| D282,818 S * | 3/1986 | Bos | | D8/382 |
| D531,888 S * | 11/2006 | Barnes | | D8/382 |
| D721,266 S * | 1/2015 | Sun | | D8/382 |
| D734,138 S * | 7/2015 | Hurrle | | D8/387 |
| D742,214 S * | 11/2015 | Yuan | | D8/399 |
| D805,884 S * | 12/2017 | Evitt | | D8/382 |
| D805,885 S * | 12/2017 | Karmarkar | | D8/382 |



(56)

References Cited

U.S. PATENT DOCUMENTS

D812,725 S * 3/2018 Sato D23/262
D814,267 S * 4/2018 Verbowski D8/354
D815,516 S * 4/2018 Karmarkar D8/382
D821,859 S * 7/2018 Artino D8/387
D874,256 S * 2/2020 Cheng D8/399
D874,257 S * 2/2020 Cheng D8/399
D897,830 S * 10/2020 Roberto D8/397
D898,653 S * 10/2020 Wells D12/345
D898,879 S * 10/2020 Kalb D23/262
D902,120 S * 11/2020 Wells D12/345
D905,547 S * 12/2020 Champion D8/397
D906,099 S * 12/2020 Winter D8/387
D906,797 S * 1/2021 Carmona D8/387
D907,473 S * 1/2021 Bailey D8/382
D907,474 S * 1/2021 Buckley D8/396
D921,474 S * 6/2021 Borst D8/349
D922,177 S * 6/2021 Pride D8/349
2009/0169324 A1 * 7/2009 Fritsch F16B 5/02
411/4
2018/0304179 A1 * 10/2018 Auxter B01D 27/103

OTHER PUBLICATIONS

Furniture Connector Bolt, Date Visited: Jun. 17, 2021, Ali Express,
Date Available: Jun. 17, 2021, <https://www.aliexpress.com/item/10000141044528.html> (Year: 2021).*

* cited by examiner

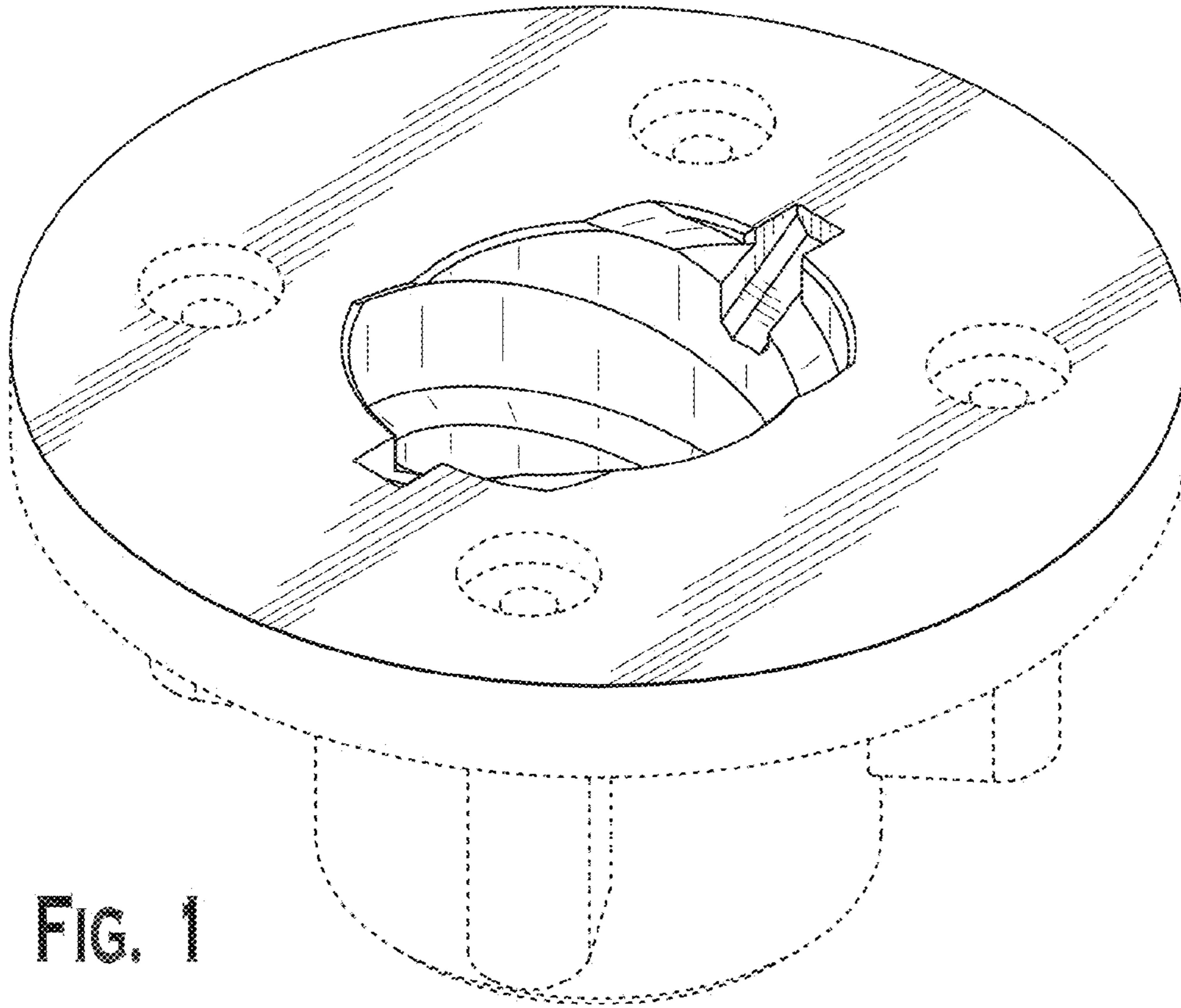


FIG. 1

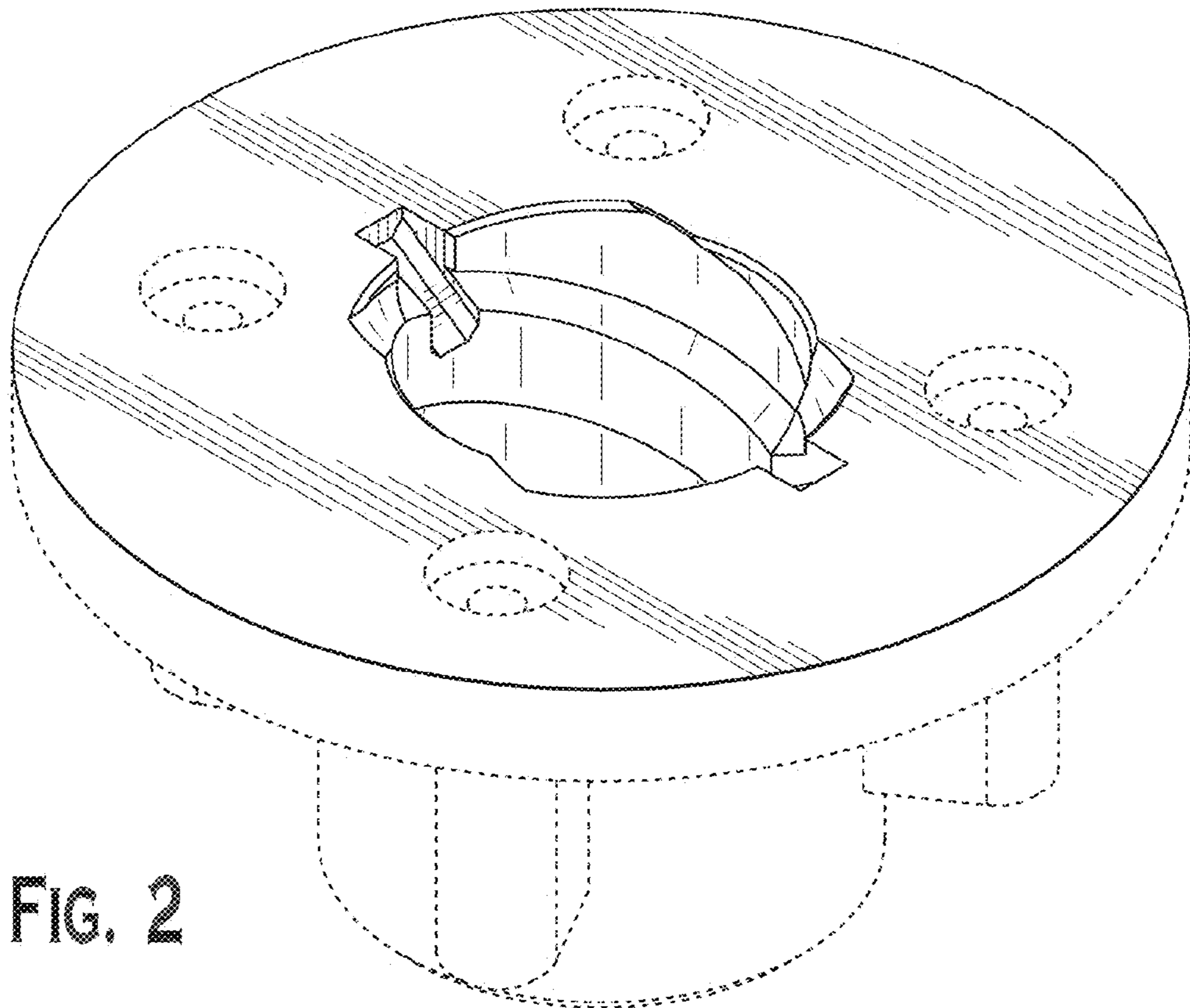


FIG. 2

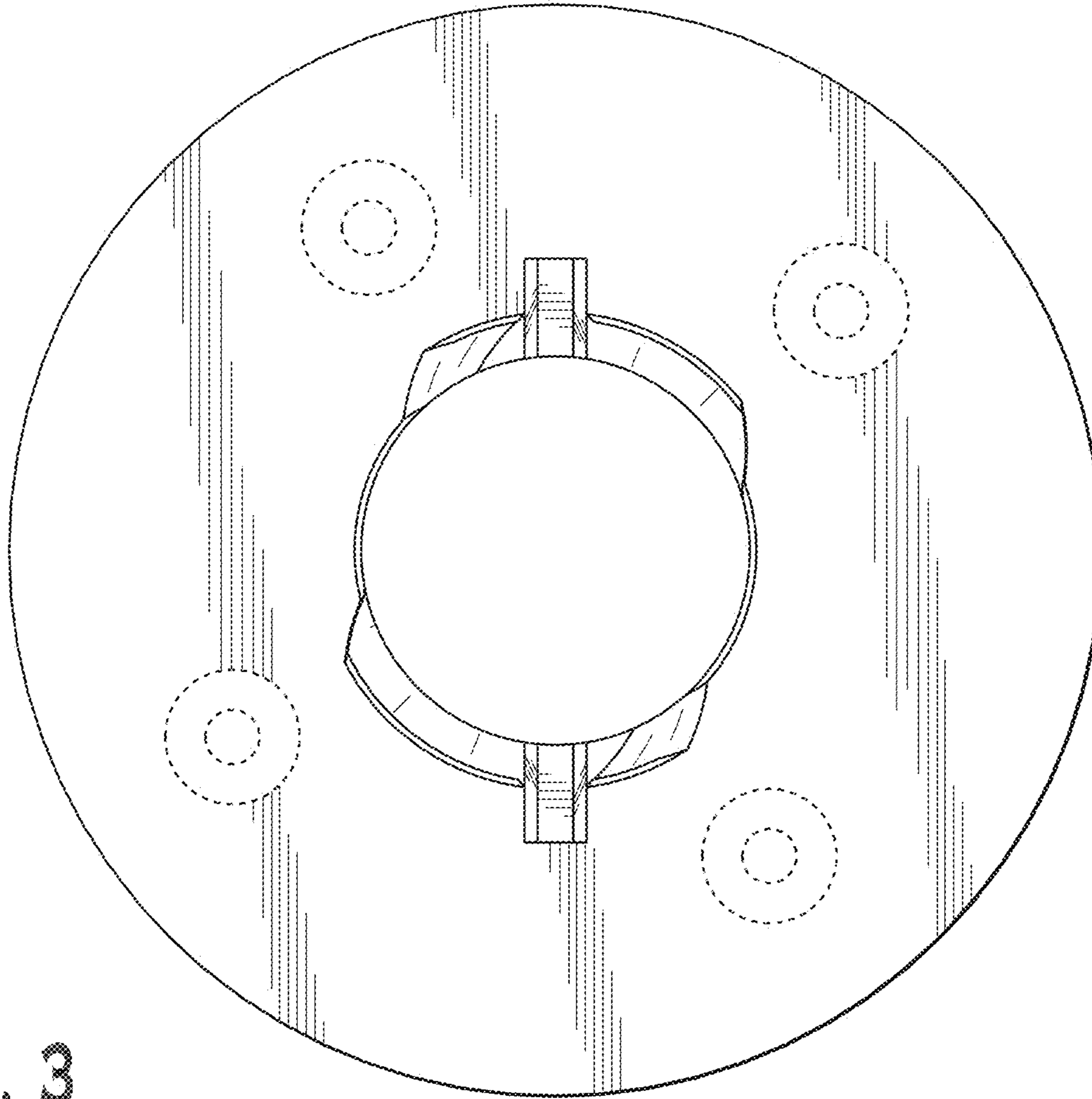


FIG. 3

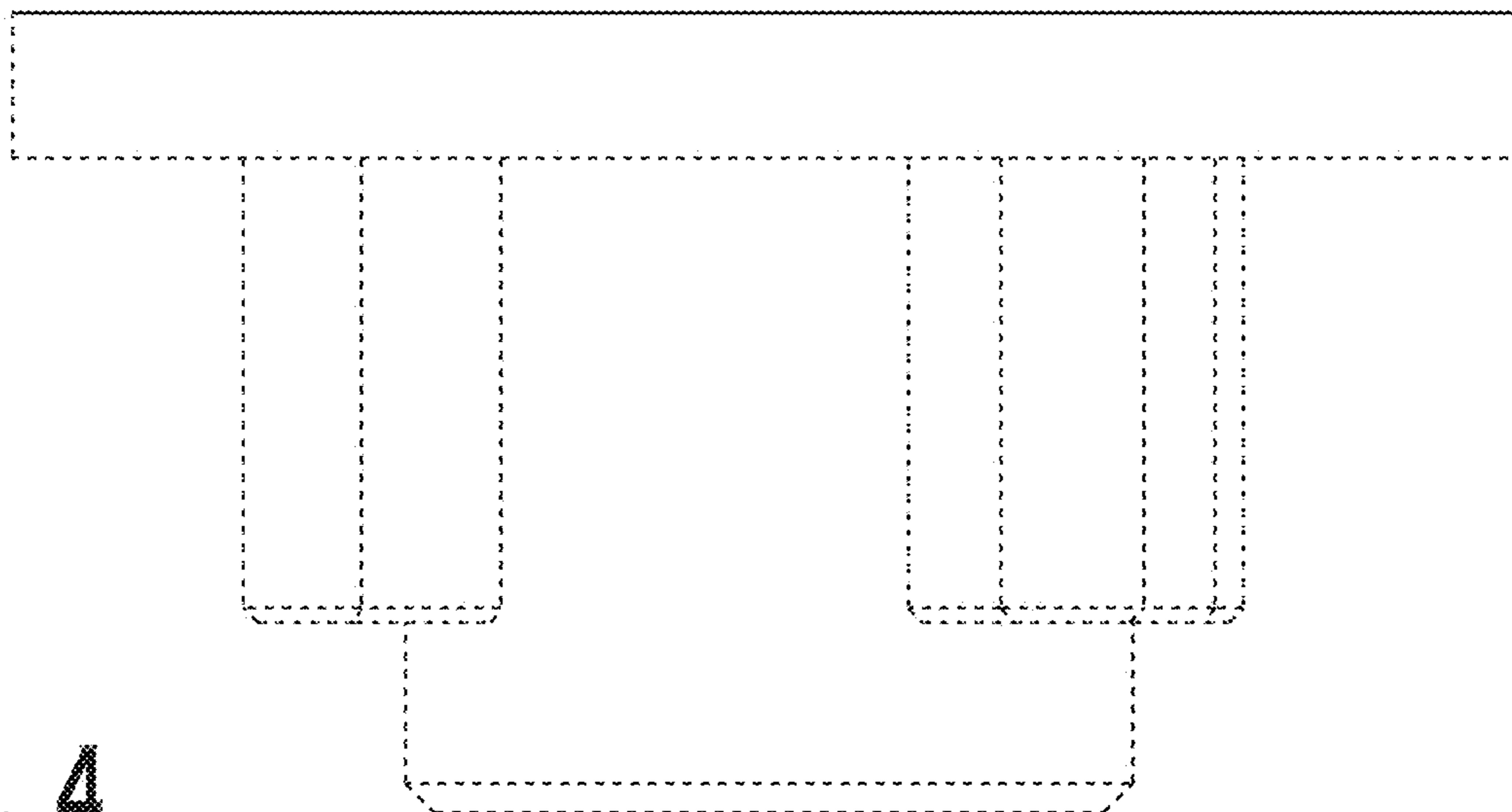


FIG. 4

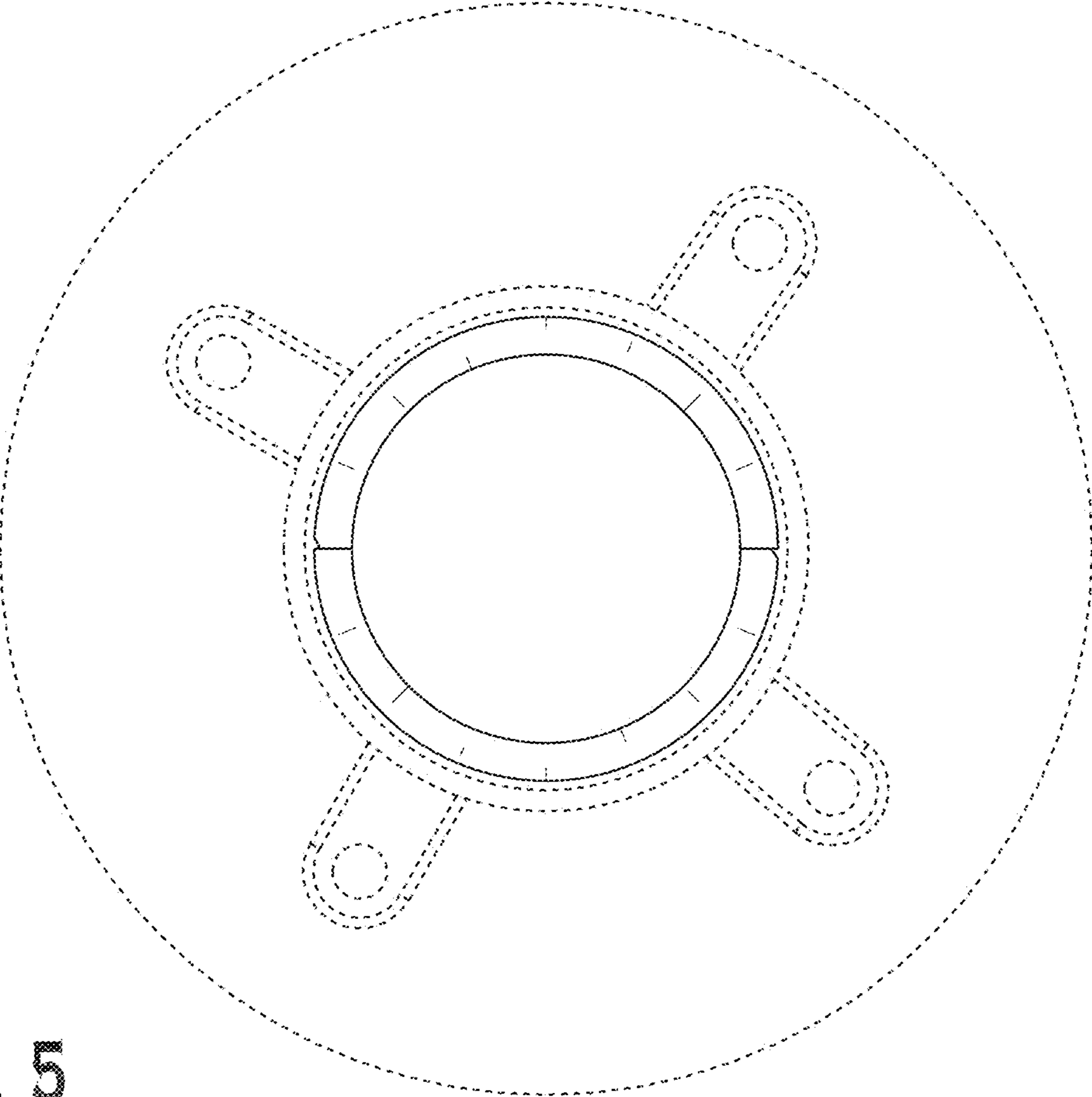


FIG. 5

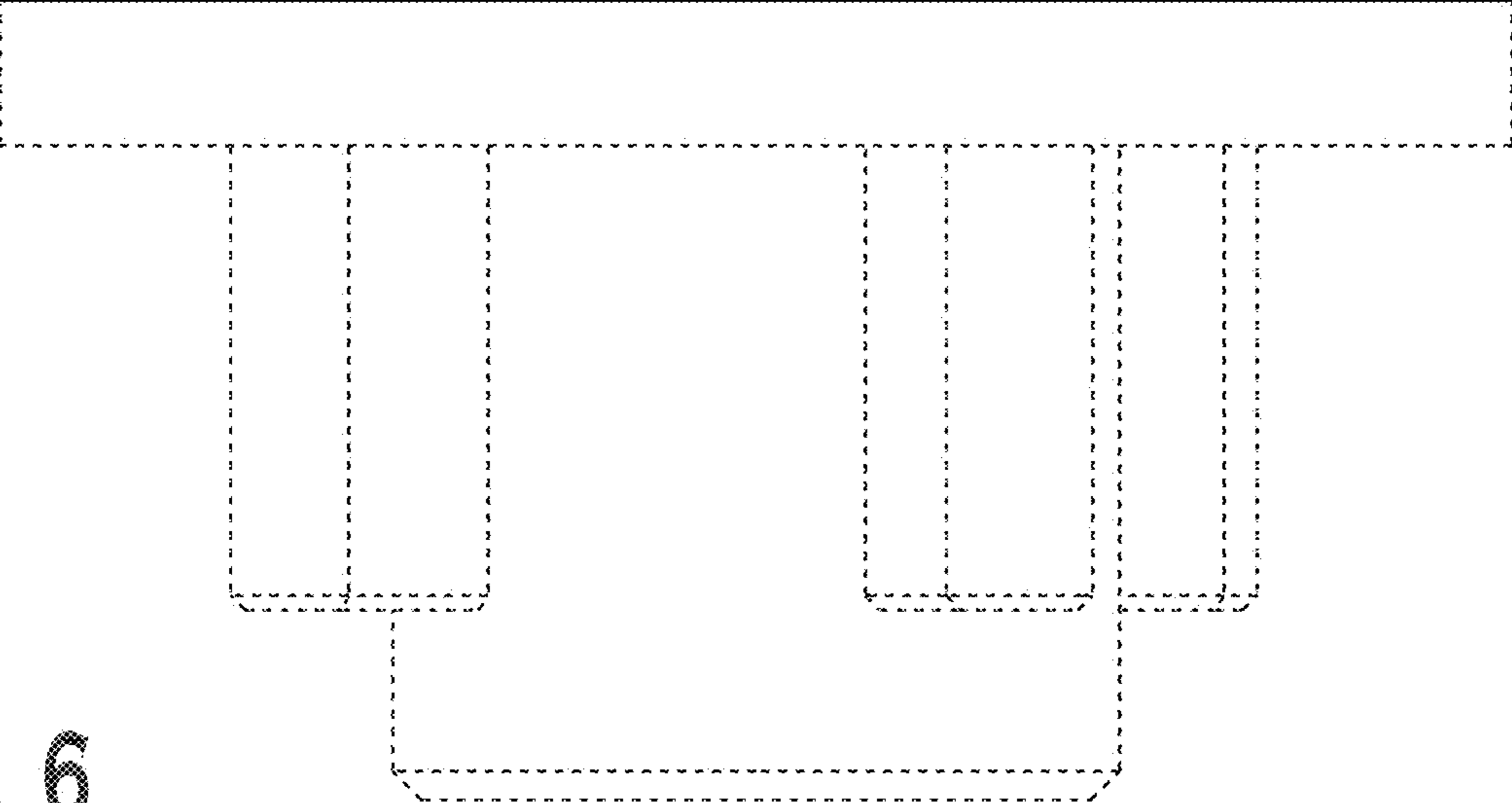


FIG. 6

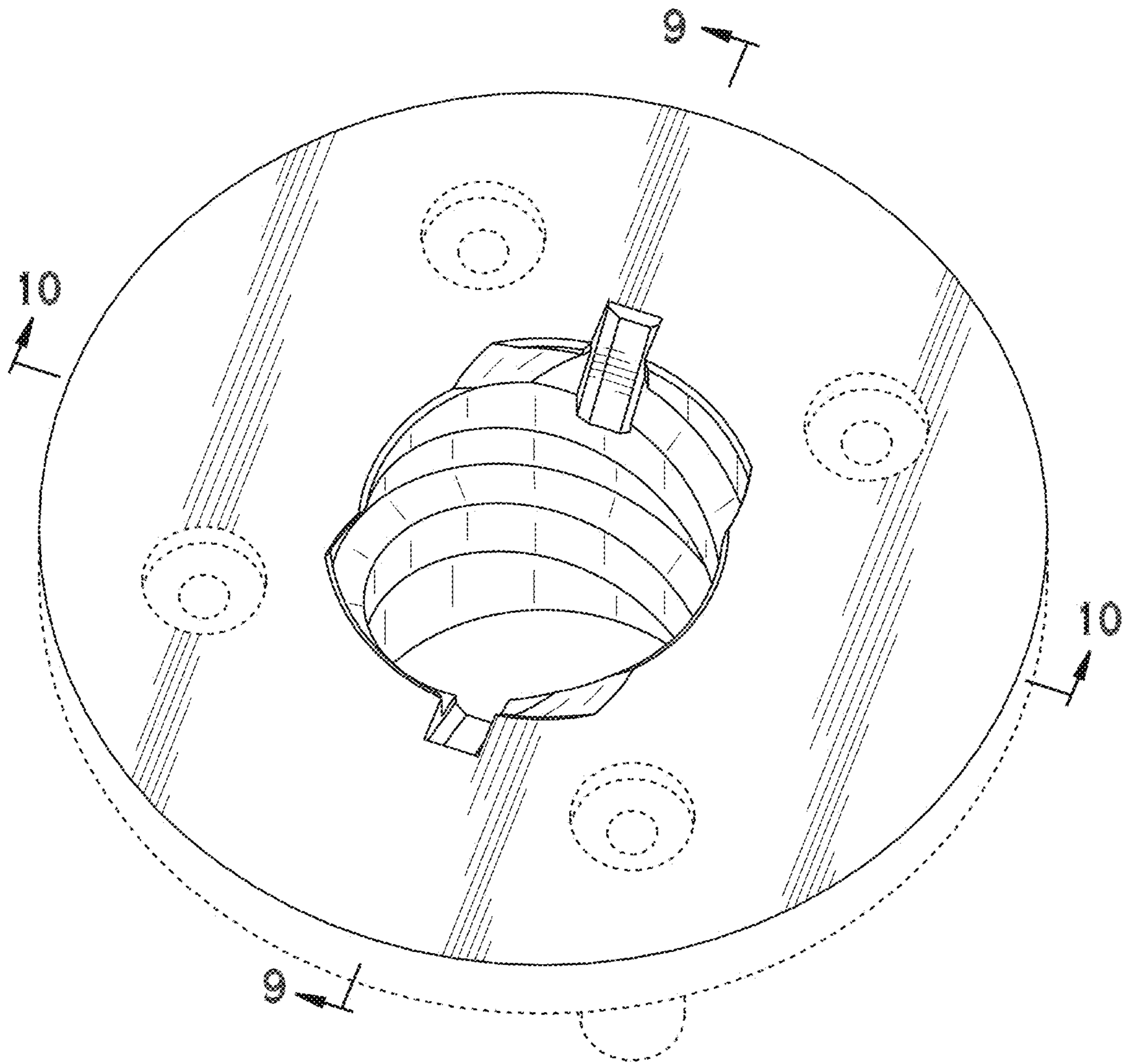


FIG. 7

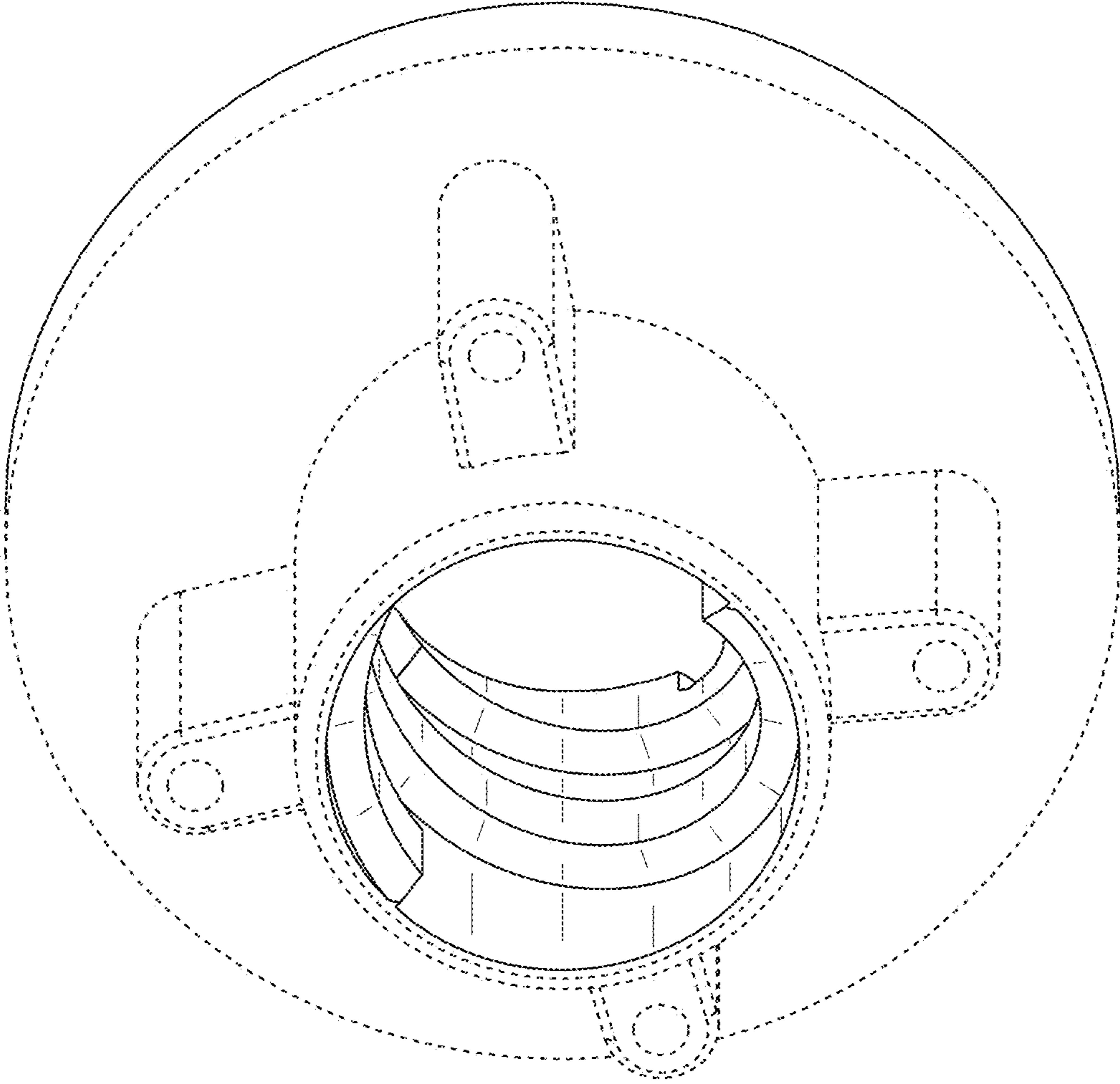


FIG. 8

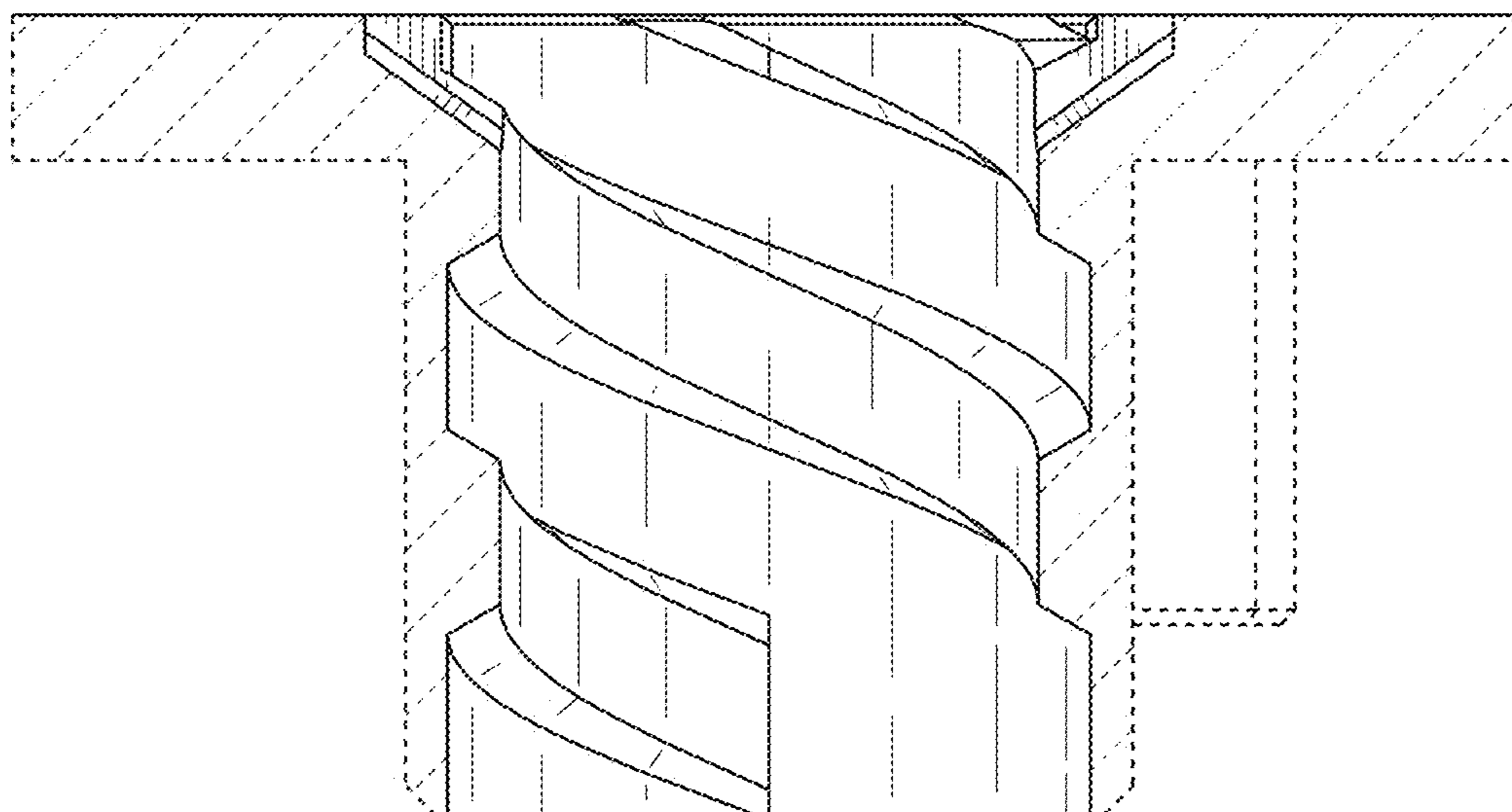


FIG. 9

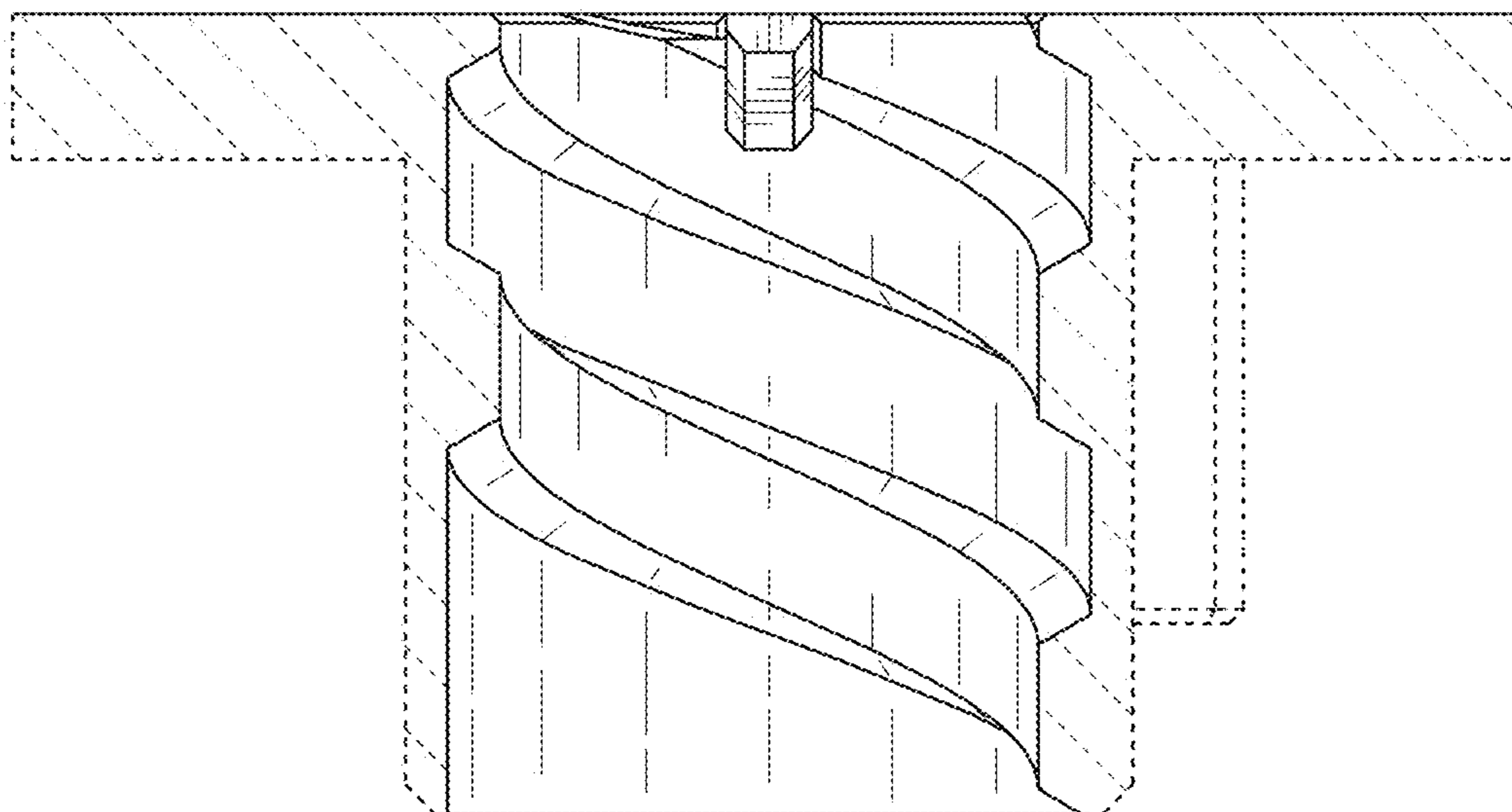


FIG. 10