



US00D934666S

(12) **United States Design Patent** (10) **Patent No.:** **US D934,666 S**  
**Oggier, III et al.** (45) **Date of Patent:** **\*\* Nov. 2, 2021**

(54) **MALE CONNECTOR**  
(71) Applicant: **Atomic Design, Inc.**, Lititz, PA (US)  
(72) Inventors: **Josef W. Oggier, III**, Manheim, PA (US); **Nicolas Artale**, Lancaster, PA (US)

D874,257 S \* 2/2020 Cheng ..... D8/399  
D896,624 S \* 9/2020 Wang ..... D8/382  
D898,653 S \* 10/2020 Wells ..... D12/345  
D902,120 S \* 11/2020 Wells ..... D12/345  
D906,099 S \* 12/2020 Winter ..... D8/387  
D906,797 S \* 1/2021 Carmona ..... D8/387  
D907,474 S \* 1/2021 Buckley ..... D8/396  
(Continued)

(73) Assignee: **Atomic Design Inc.**, Lititz, PA (US)

(\*\*) Term: **15 Years**

(21) Appl. No.: **29/707,009**

(22) Filed: **Sep. 25, 2019**

(51) **LOC (13) Cl.** ..... **08-08**

(52) **U.S. Cl.**  
USPC ..... **D8/382**

(58) **Field of Classification Search**  
USPC ..... D8/382-383, 349, 393-397, 399, 387;  
D11/79-80, 89, 93, 132  
CPC ..... A47G 1/06; A47G 1/065; A47G 1/0605;  
A47G 1/0633; A47G 1/0638; A47G  
1/0644; A47G 1/08; A47G 1/10; A47G  
1/14; A47G 1/141; A47G 1/142; A47G  
1/16; A47G 1/1606; A47G 1/1613; A47G  
2001/0661; A47G 2001/0672; A47G  
2001/0688; A47G 2001/148; G09F 1/12  
See application file for complete search history.

(56) **References Cited**

**U.S. PATENT DOCUMENTS**

D272,718 S \* 2/1984 Knudson ..... D8/382  
D283,591 S \* 4/1986 Swanstrom ..... D8/382  
D375,843 S \* 11/1996 Wolfenden ..... D4/199  
D657,232 S \* 4/2012 Stahl, Sr. .... D8/354  
D721,266 S \* 1/2015 Sun ..... D8/382  
D805,883 S \* 12/2017 Evitt ..... D8/382  
D807,158 S \* 1/2018 Wu ..... D8/382  
D812,725 S \* 3/2018 Sato ..... D23/262  
D874,256 S \* 2/2020 Cheng ..... D8/399

**OTHER PUBLICATIONS**

Merriway BH06020 Flat, Date Visited: Jun. 17, 2021, Amazon,  
Date Available: Aug. 10, 2017, <https://www.amazon.co.uk/Hardware-BH06020-Furniture-Cabinet-Locking/dp/B074Q2P394/> (Year: 2017).\*  
(Continued)

*Primary Examiner* — Susan Bennett Hattan  
*Assistant Examiner* — Elizabeth S Ko  
(74) *Attorney, Agent, or Firm* — Barley Snyder

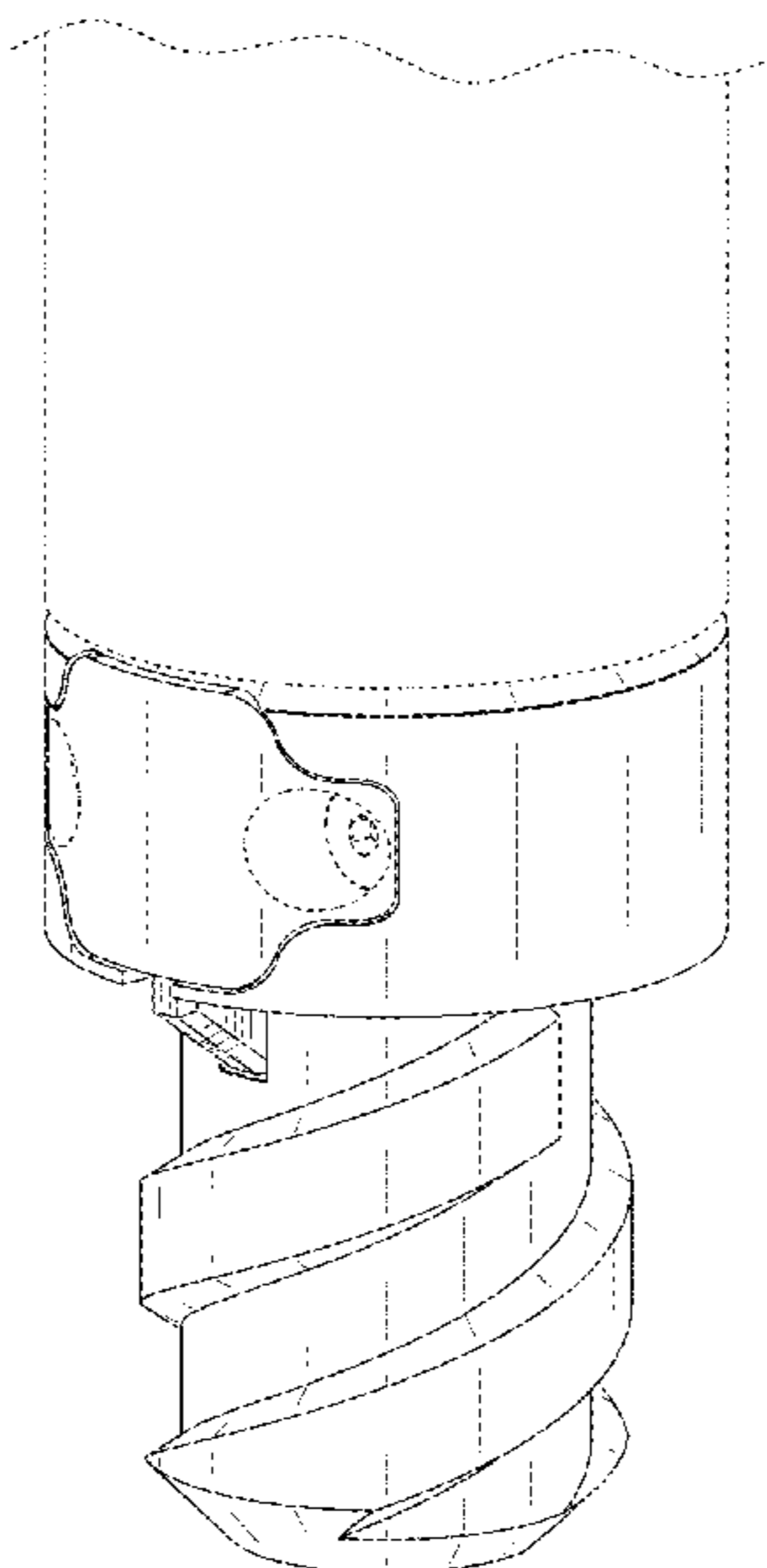
(57) **CLAIM**

A male connector design, as shown and described.

**DESCRIPTION**

FIG. 1 is a front, right, top perspective view of a male connector, showing the new design;  
FIG. 2 is a front elevation view thereof;  
FIG. 3 is a rear elevation view thereof;  
FIG. 4 is a left side elevation view thereof;  
FIG. 5 is a right side elevation view thereof;  
FIG. 6 is a top plan view thereof;  
FIG. 7 is a bottom plan view thereof;  
FIG. 8 is a front, left, bottom perspective view thereof;  
FIG. 9 is a front, right, bottom perspective view thereof; and,  
FIG. 10 is a rear, left, bottom perspective view thereof.  
The broken lines shown in the Figures are included to show unclaimed subject matter only and form no part of the claimed design.

**1 Claim, 6 Drawing Sheets**



(56)

**References Cited**

U.S. PATENT DOCUMENTS

D909,856 S \* 2/2021 Cobzaru ..... D8/387  
D912,502 S \* 3/2021 Cook ..... D8/387  
D918,700 S \* 5/2021 Ricehouse ..... D8/387  
D918,701 S \* 5/2021 Ricehouse ..... D8/387  
D920,774 S \* 6/2021 Cobzaru ..... D8/397  
D921,479 S \* 6/2021 Smith ..... D8/387

OTHER PUBLICATIONS

Furniture Connector Bolt, Date Visited: Jun. 17, 2021, Ali Express,  
Date Available: Jun. 17, 2021, <https://www.aliexpress.com/item/10000141044528.html> (Year: 2021).\*

\* cited by examiner

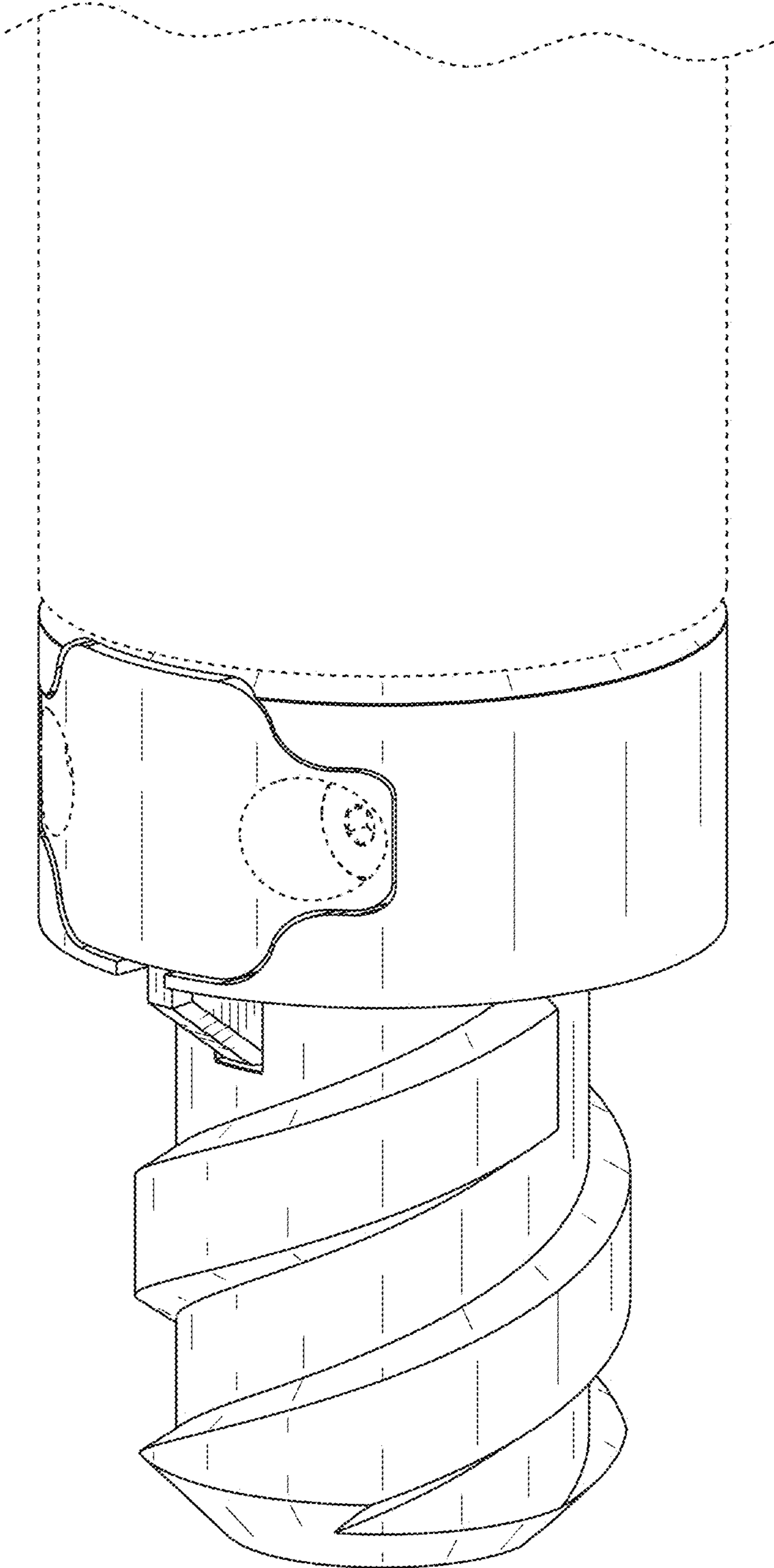


FIG. 1

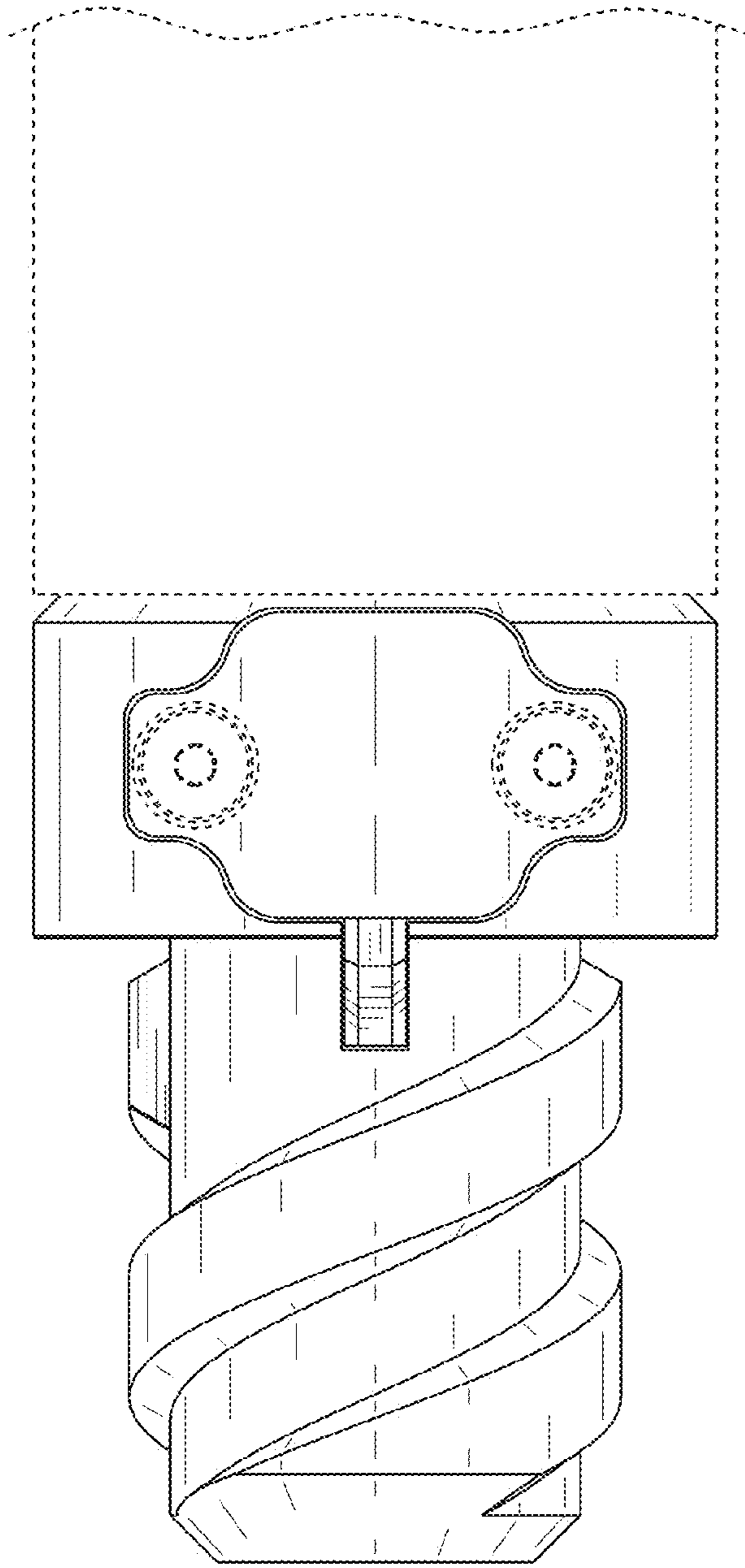


FIG. 2

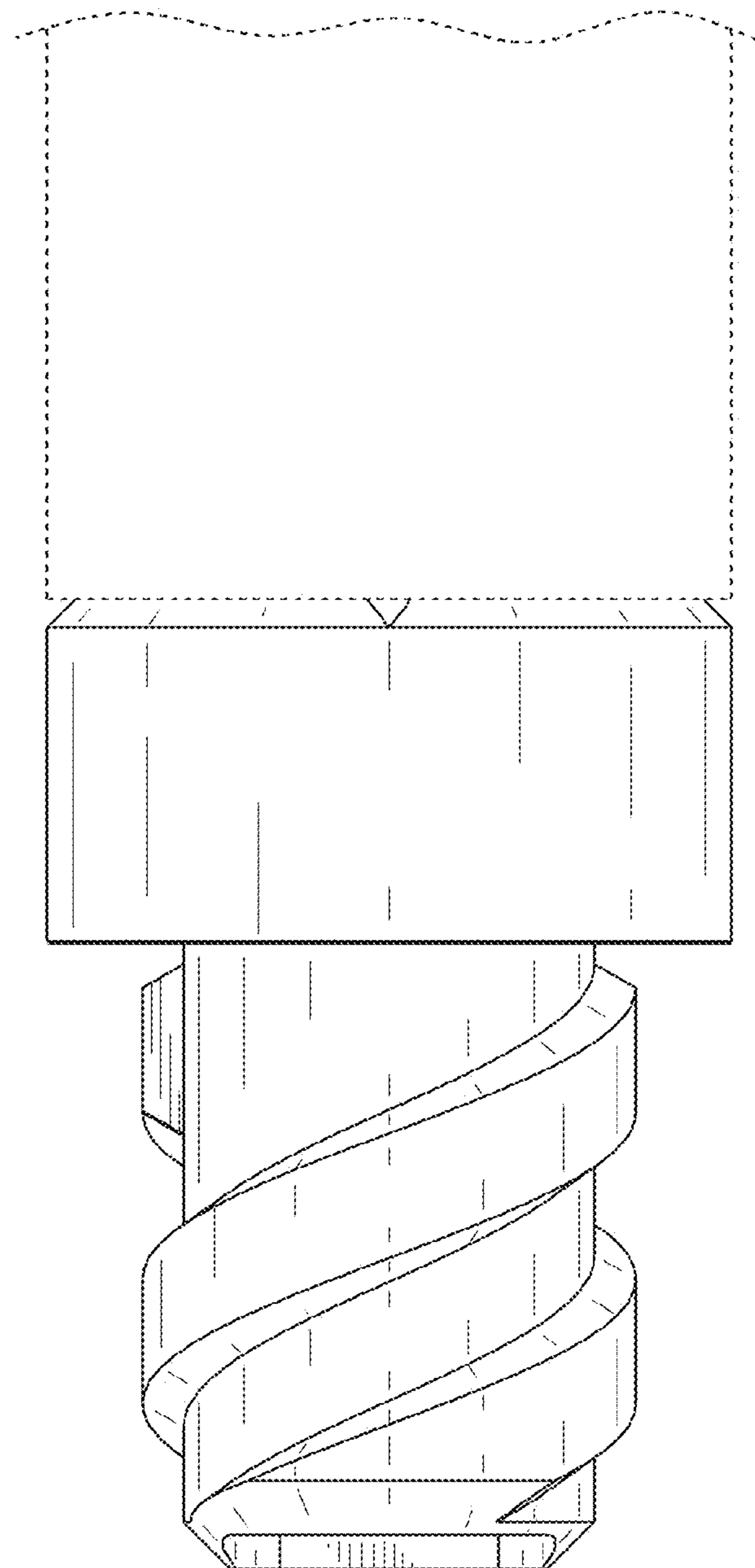


FIG. 3

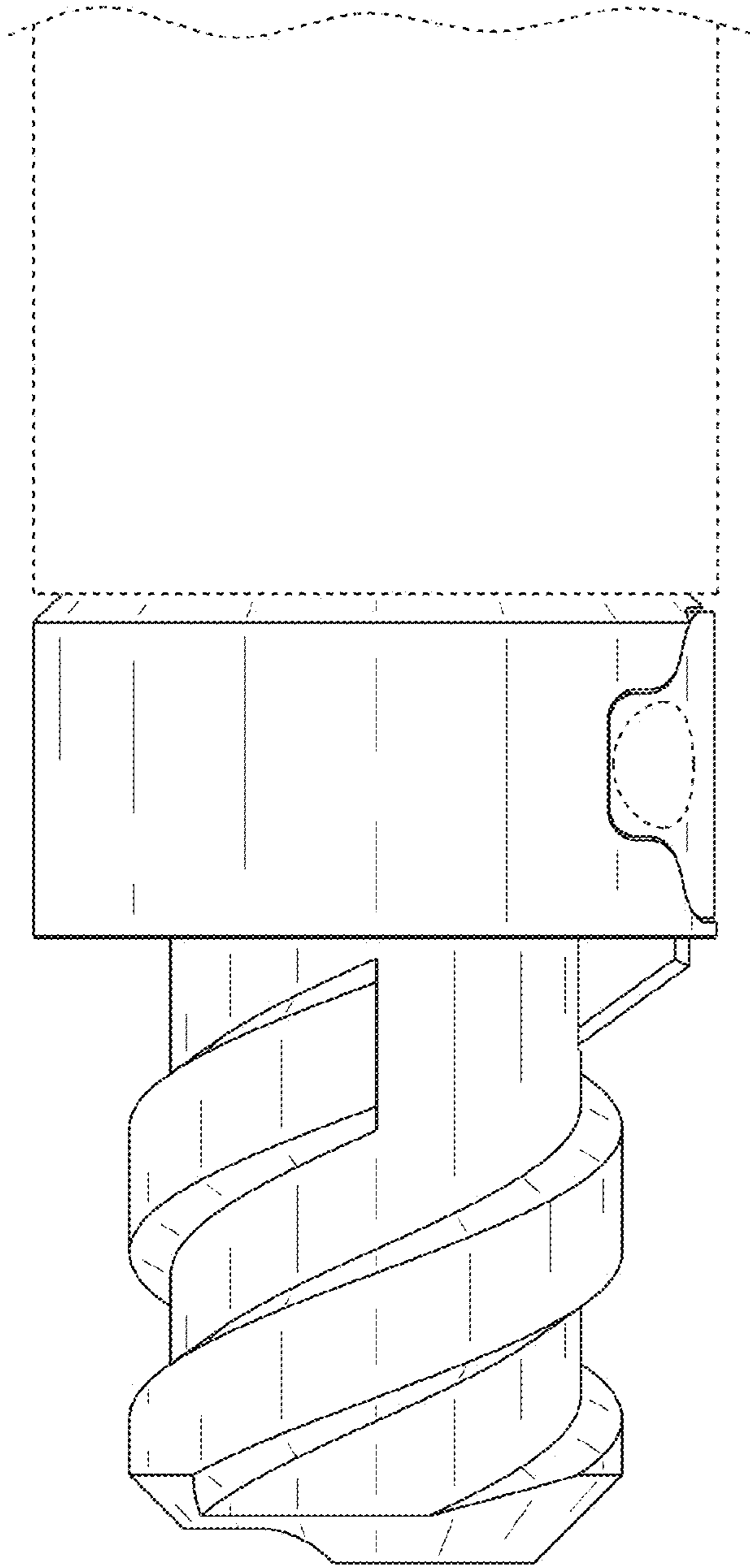


FIG. 4

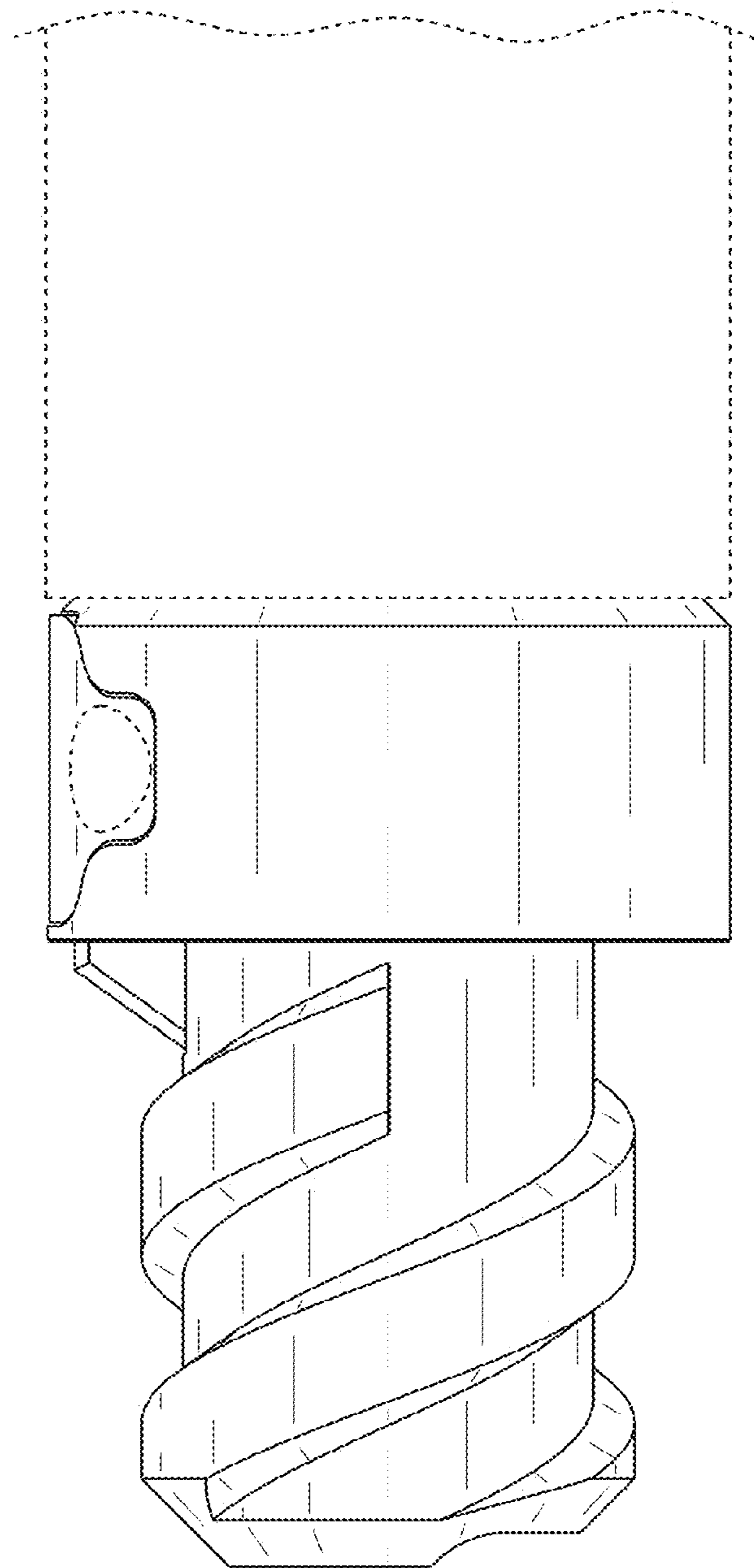


FIG. 5



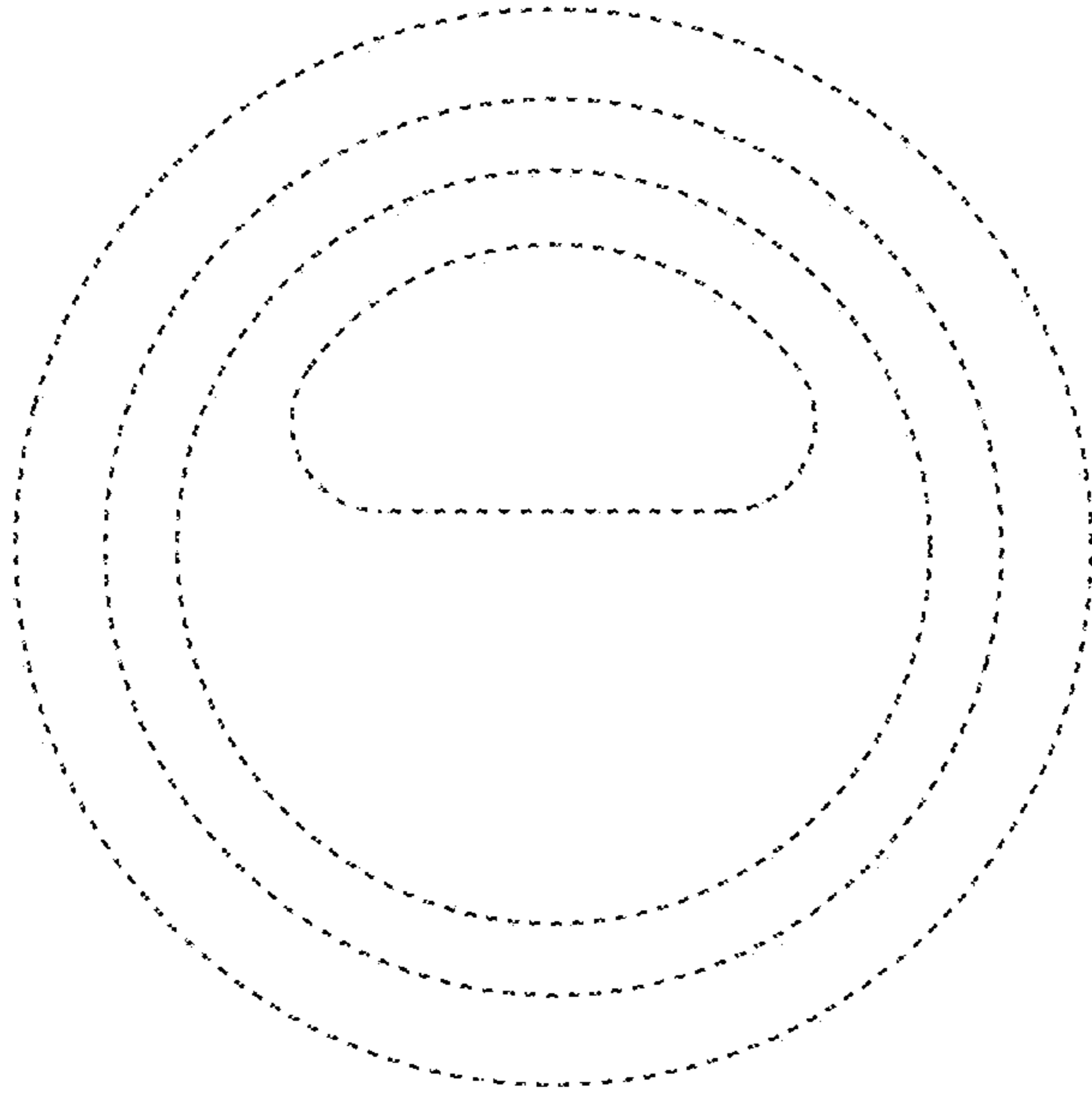


FIG. 6

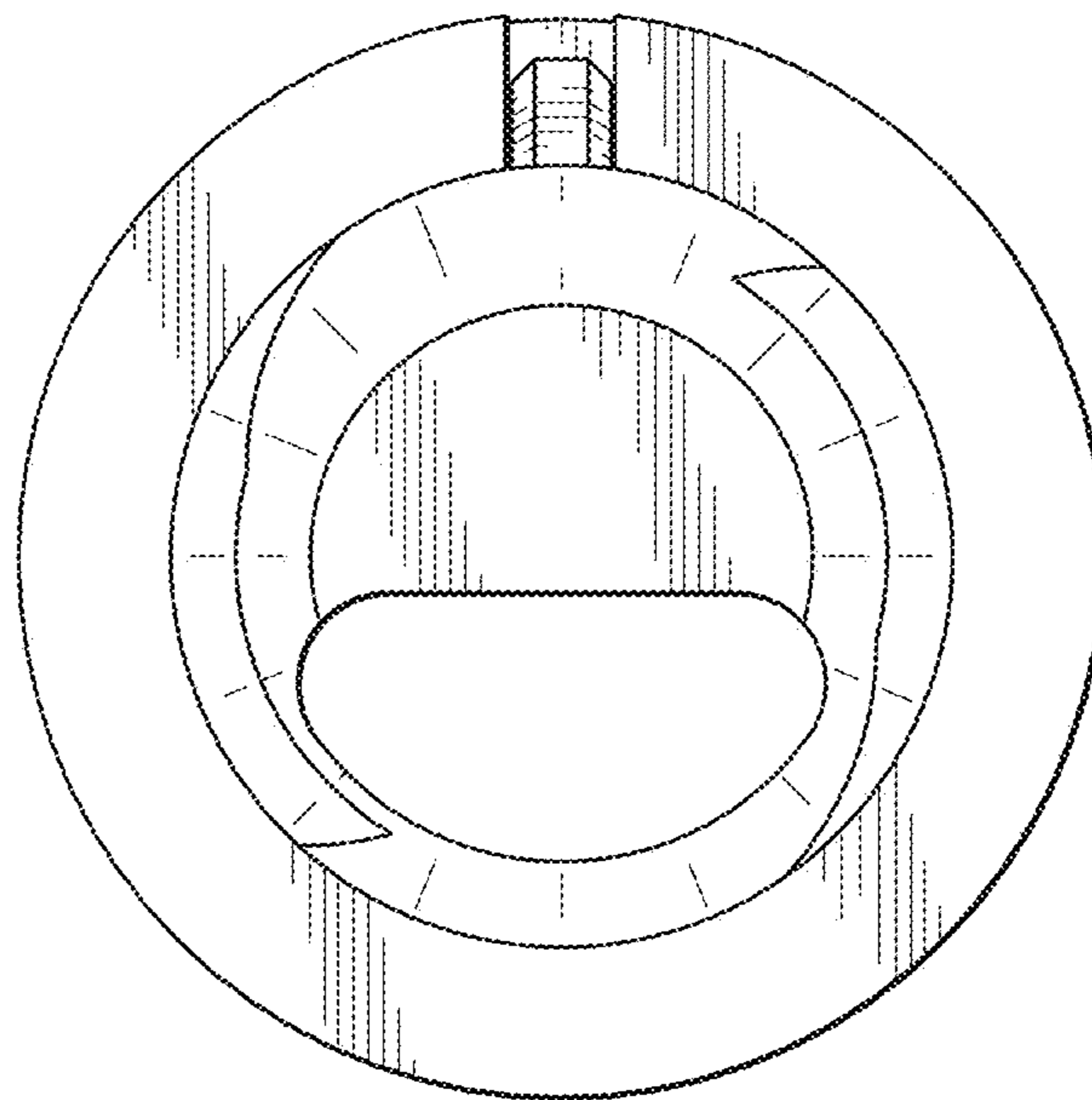


FIG. 7

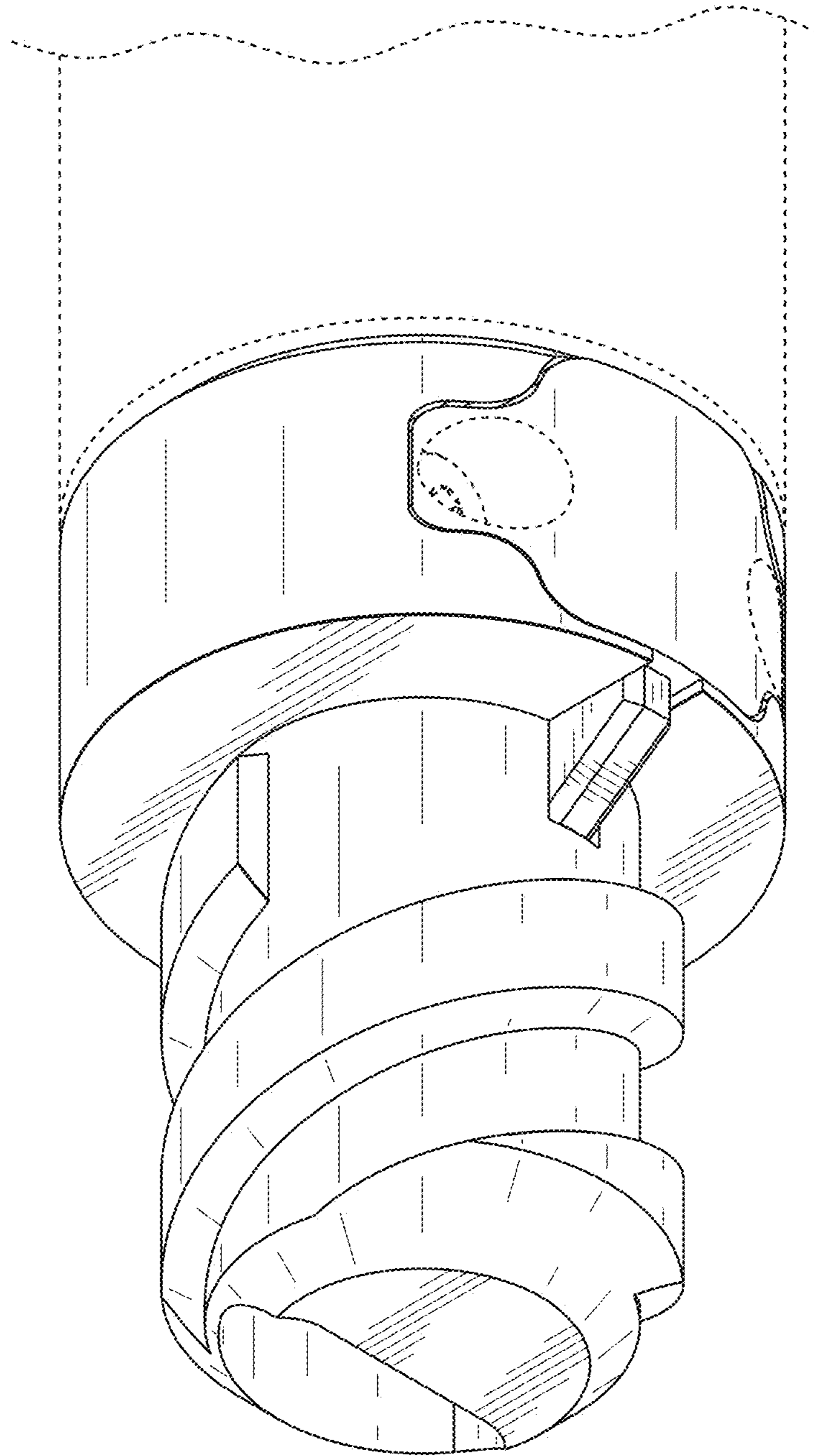


FIG. 8

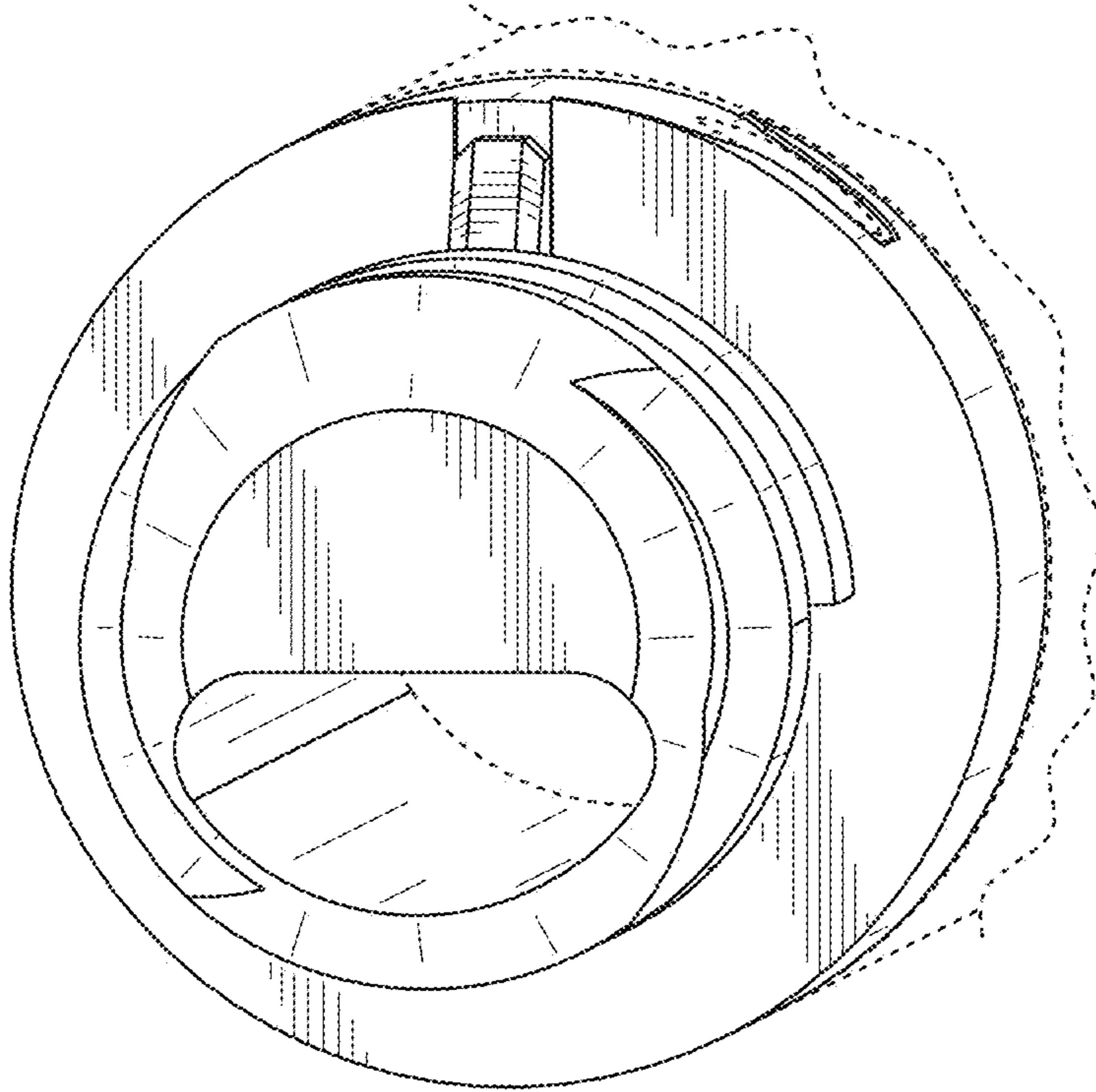


FIG. 9

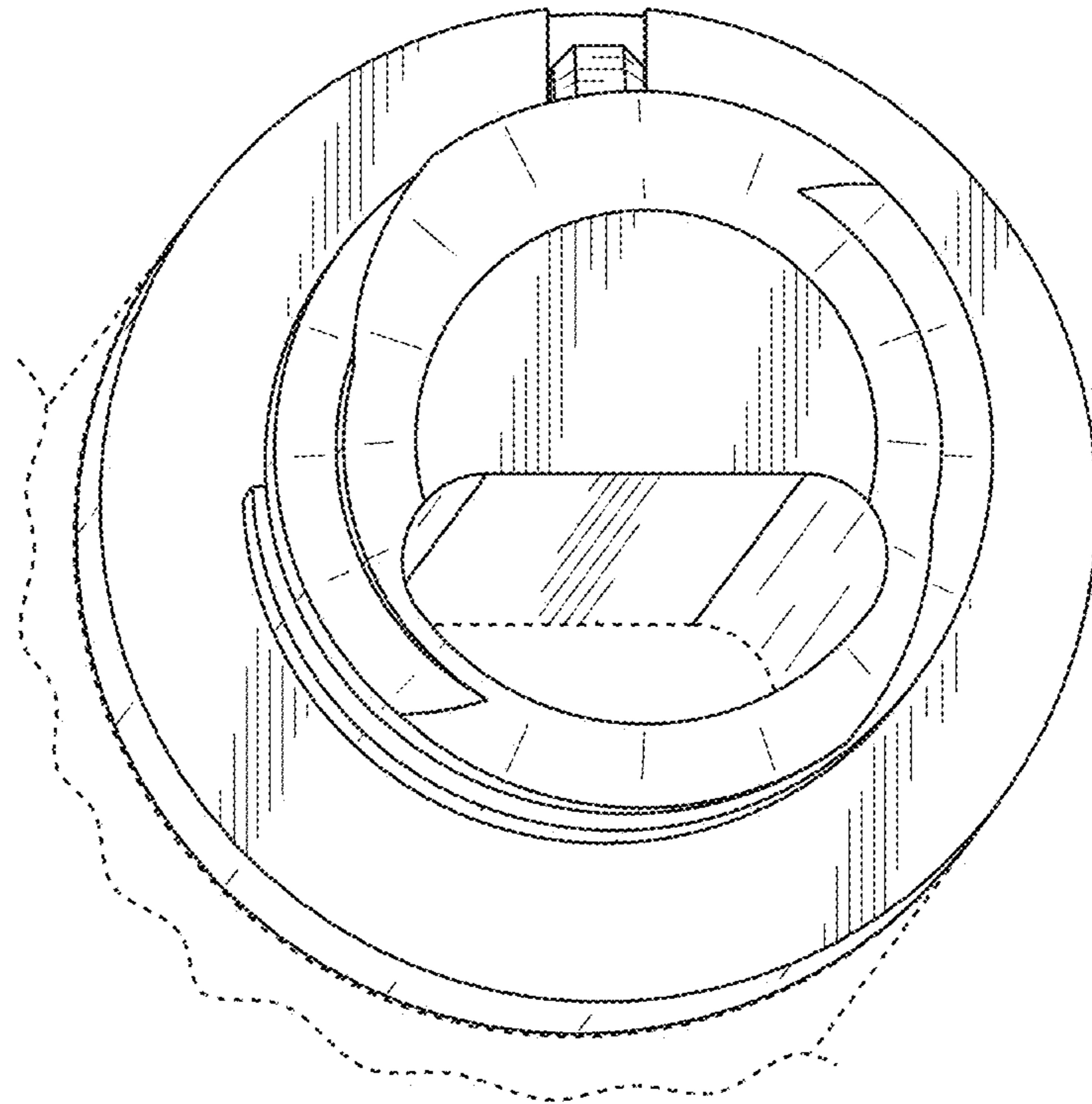


FIG. 10