



US00D934665S

(12) **United States Design Patent** (10) **Patent No.:** **US D934,665 S**
Cronkhite et al. (45) **Date of Patent:** **** Nov. 2, 2021**

(54) **BRACKET**

(71) Applicant: **Revamp Panels, LLC**, Spokane, WA (US)

(72) Inventors: **Damian Matthew Brandon Cronkhite**, Spokane, WA (US); **Sheldon Grant Jackson**, Spokane, WA (US)

(73) Assignee: **Revamp Panels, LLC**, Spokane, WA (US)

(**) Term: **15 Years**

(21) Appl. No.: **29/687,269**

(22) Filed: **Apr. 11, 2019**

(51) **LOC (13) Cl.** **08-05**

(52) **U.S. Cl.**
USPC **D8/381**

(58) **Field of Classification Search**
USPC D8/349, 354, 355, 373, 380, 382, 383, D8/394, 396, 336, 402, 71, 300, 307, 313, D8/381; D13/118, 149, 154; D32/72
CPC .. A61G 12/005; A61G 12/007; A47B 57/562; A47B 73/00; A47B 81/007; A47B 96/061; A47F 5/0853; B60P 7/0815
See application file for complete search history.

(56) **References Cited**

U.S. PATENT DOCUMENTS

4,971,281	A *	11/1990	Steinbeck	A47B 57/42
					211/192
5,116,007	A *	5/1992	Von Gunton	A47B 57/42
					108/108
5,199,585	A *	4/1993	Schafer	A47B 57/42
					108/107
5,277,393	A *	1/1994	Nicholson	A47B 95/008
					108/108
5,575,444	A *	11/1996	Otema	A47B 57/045
					108/108
6,024,333	A *	2/2000	Raasch	A47B 55/02
					211/134

(Continued)

Primary Examiner — Sandra Snapp

Assistant Examiner — Elizabeth S Ko

(74) *Attorney, Agent, or Firm* — Lee & Hayes, P.C.

(57) **CLAIM**

The ornamental design for a bracket, as shown and described.

DESCRIPTION

FIG. 1 is a top, front, right-side perspective view of a bracket;

FIG. 2 is an enlarged view of the claimed portion of the bracket shown in the circle marked 2 in FIG. 1;

FIG. 3 is a top, back, left-side perspective view of a bracket;

FIG. 4 is an enlarged view of the claimed portion of the bracket shown in the circle marked 4 in FIG. 3;

FIG. 5 is a front view thereof;

FIG. 6 is an enlarged view of the claimed portion of the bracket shown in the circle marked 6 in FIG. 5;

FIG. 7 is a back view thereof;

FIG. 8 is an enlarged view of the claimed portion of the bracket shown in the circle marked 8 in FIG. 7;

FIG. 9 is a left-side view thereof;

FIG. 10 is an enlarged view of the claimed portion of the bracket shown in the circle marked 10 in FIG. 9;

FIG. 11 is a right-side view thereof;

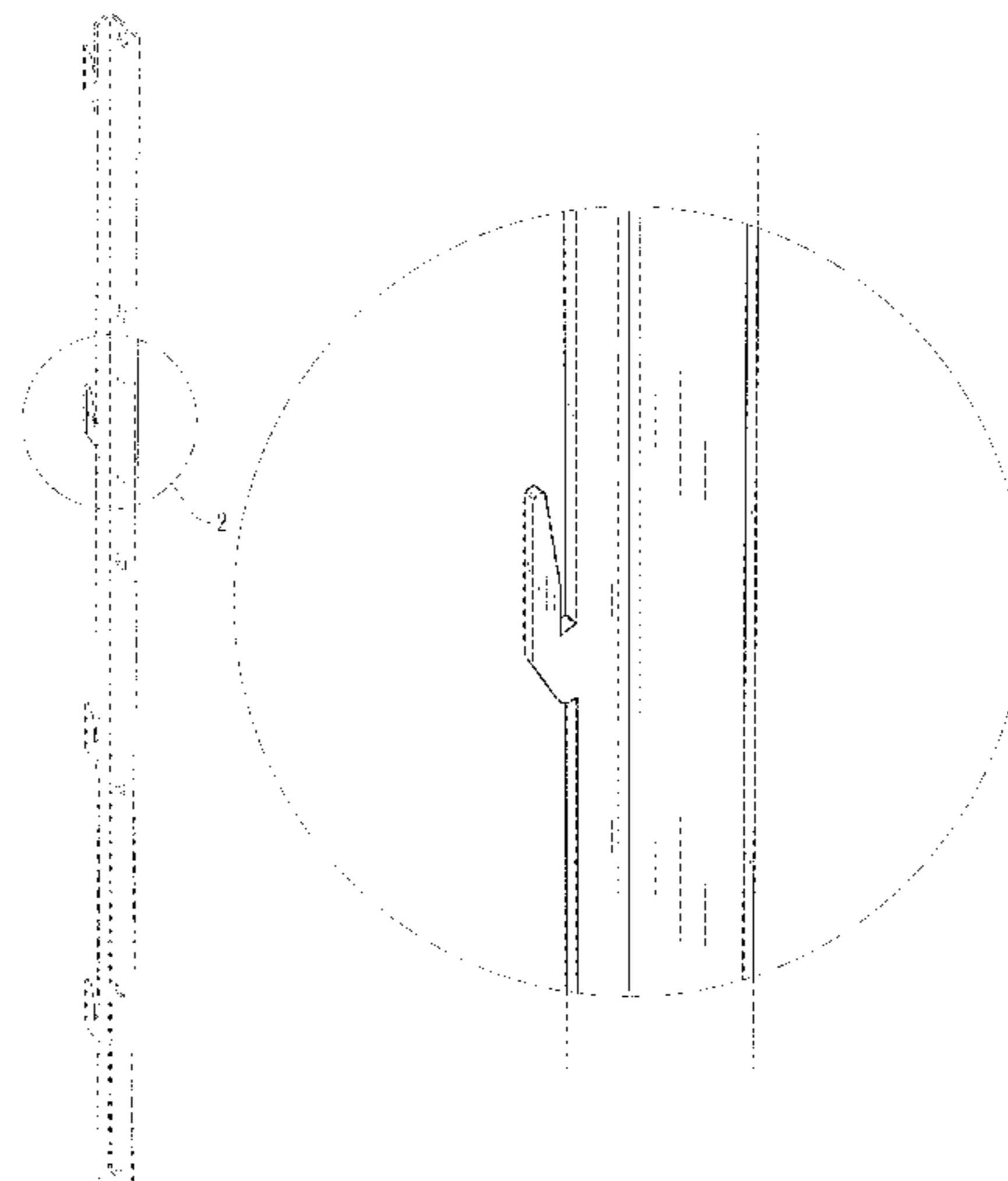
FIG. 12 is an enlarged view of the claimed portion of the bracket shown in the circle marked 12 in FIG. 11;

FIG. 13 is a cross-sectional top view taken along the lines 13-13 shown in FIG. 12. No claim is made to the internal portion of the bracket in the cross-section; and,

FIG. 14 is a cross-sectional bottom view taken along the lines 14-14 shown in FIG. 12. No claim is made to the internal portion of the bracket in the cross-section.

The broken lines depict portions of the bracket and form no part of the claimed design.

1 Claim, 14 Drawing Sheets



(56)

References Cited

U.S. PATENT DOCUMENTS

6,584,916 B1 * 7/2003 Felton A47B 46/005
108/107
D550,540 S * 9/2007 Nawrocki D8/354
D574,699 S * 8/2008 Palmer D6/556
D626,817 S * 11/2010 Donowho D8/356
D638,687 S * 5/2011 Minkley D8/349
D702,534 S * 4/2014 Nowak D8/355
D799,306 S * 10/2017 Lee D8/354
D837,037 S * 1/2019 Davis, II D8/354
D884,460 S * 5/2020 Culp D8/354
D884,461 S * 5/2020 Allen D8/354
D892,599 S * 8/2020 Witherbee D8/354
2007/0187561 A1 * 8/2007 Xayoiphonh A47B 95/008
248/235
2010/0258693 A1 * 10/2010 Toshima A47B 96/062
248/250
2014/0059973 A1 * 3/2014 Duranleau E04F 13/08
52/749.1
2017/0159284 A1 * 6/2017 Getz E04B 2/58
2018/0135301 A1 * 5/2018 Hasse E04B 1/40
2018/0163397 A1 * 6/2018 Long E04B 1/941

* cited by examiner

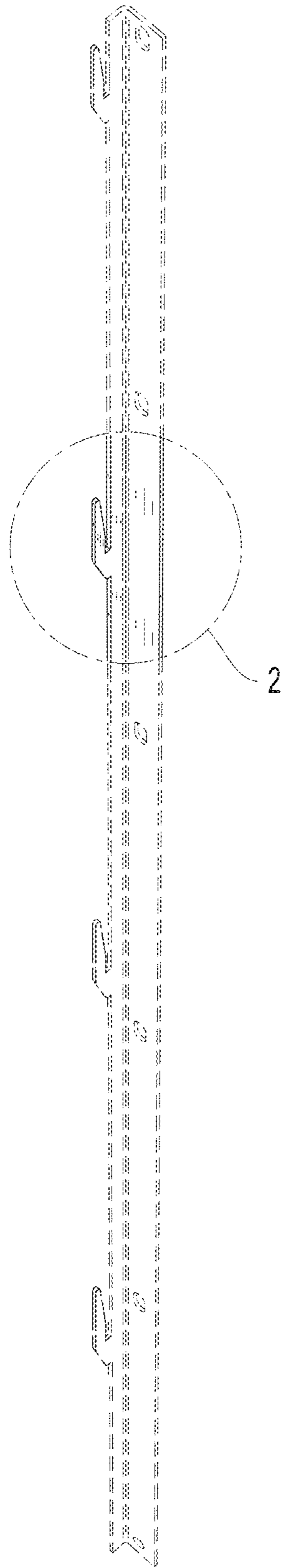


FIG. 1

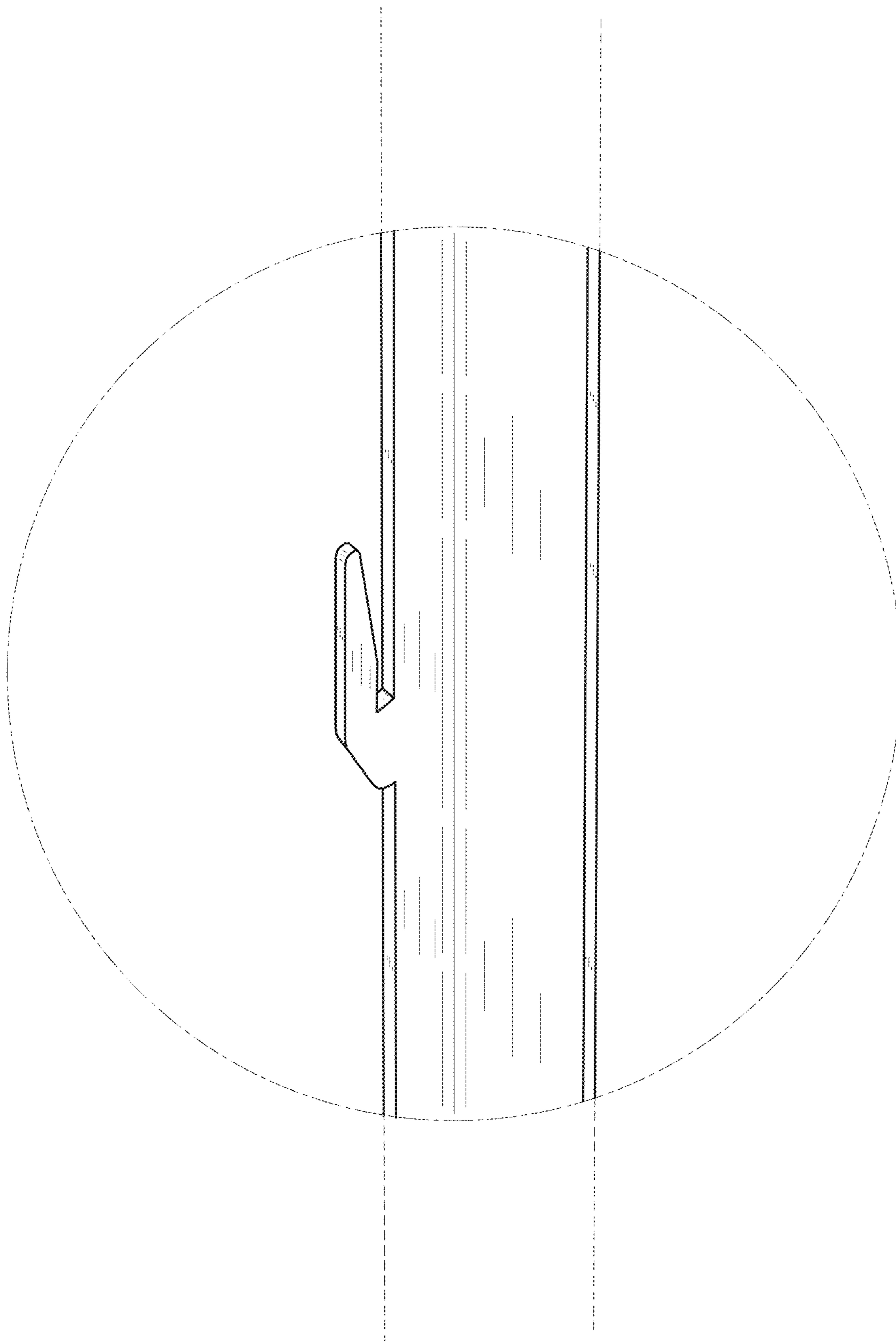


FIG. 2

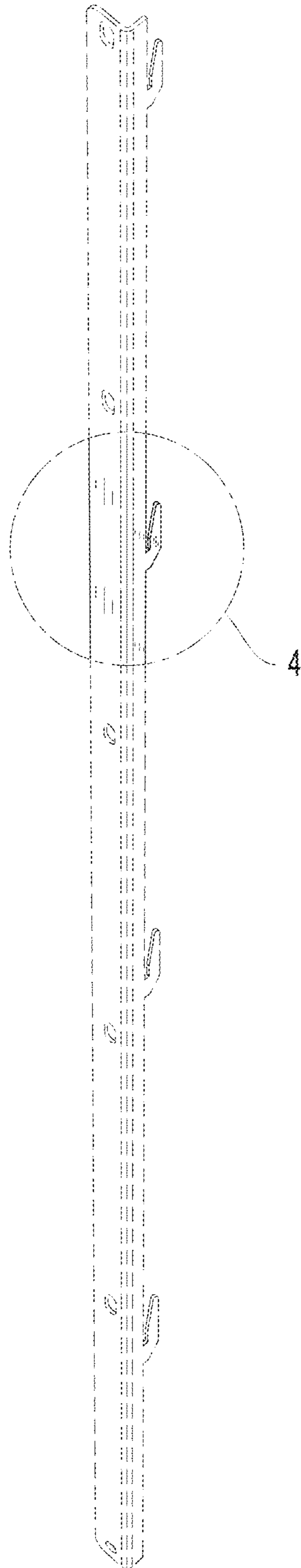


FIG. 3

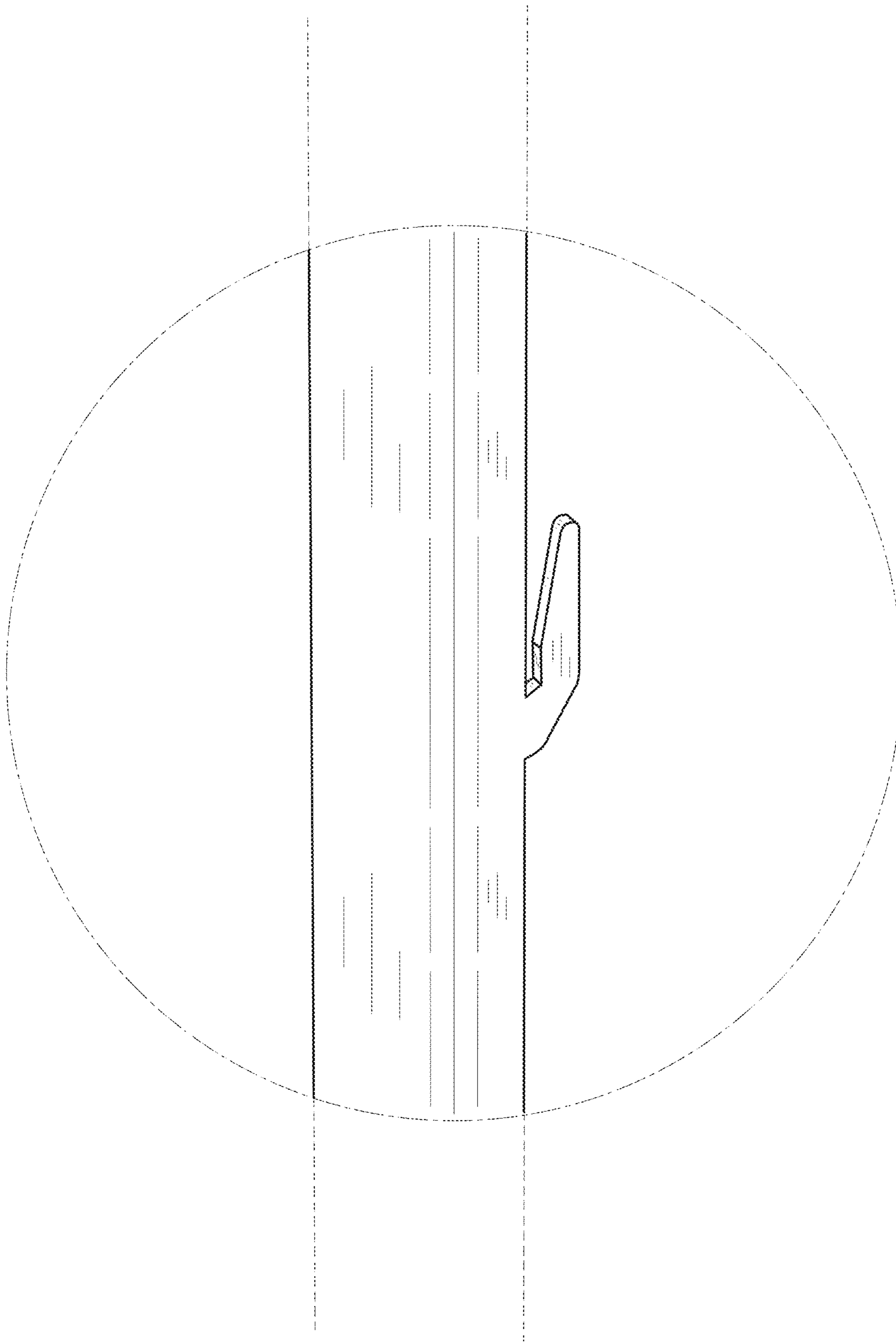


FIG. 4

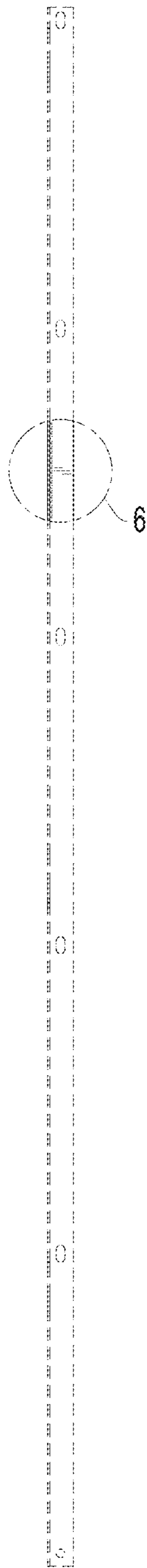


FIG. 5

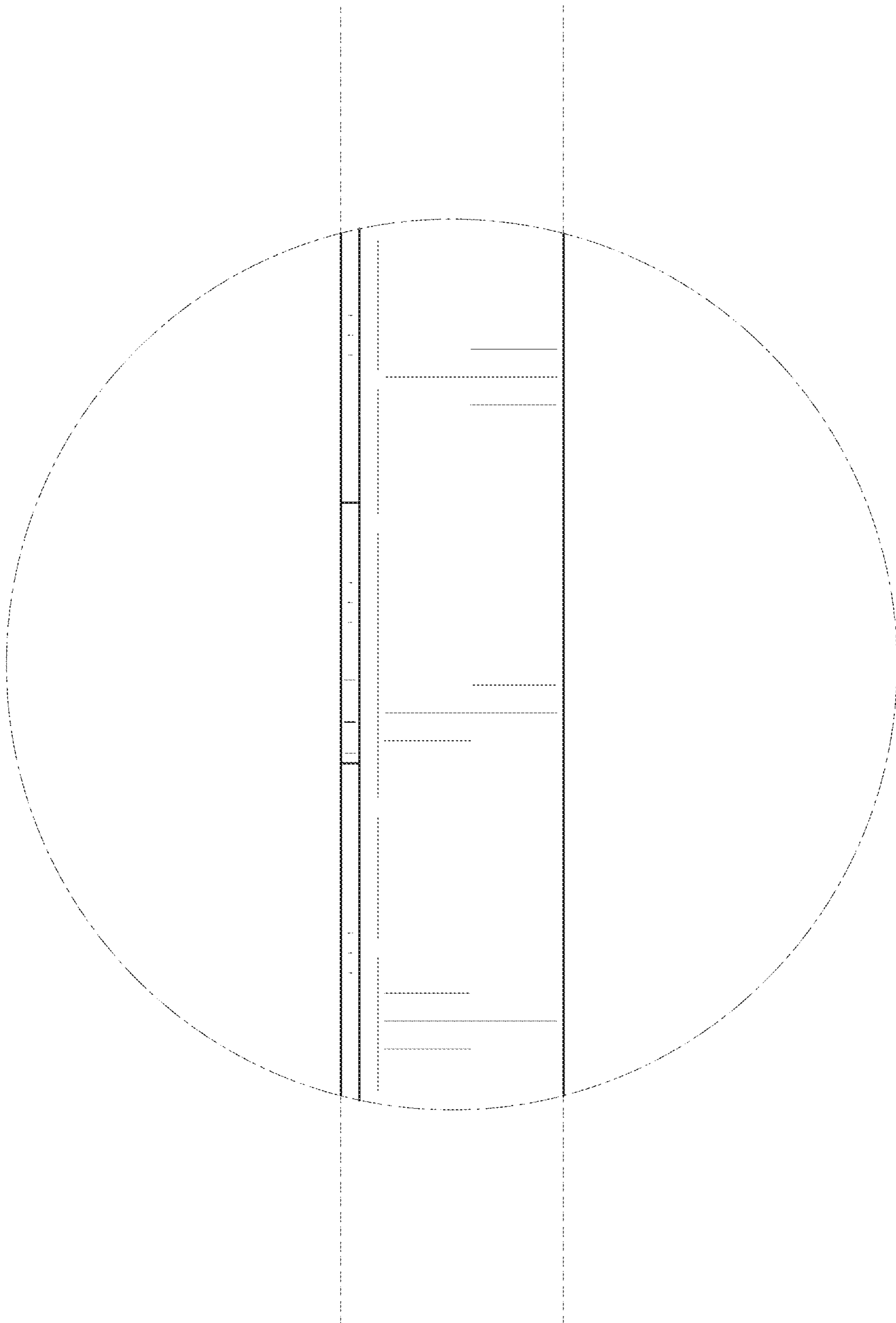


FIG. 6

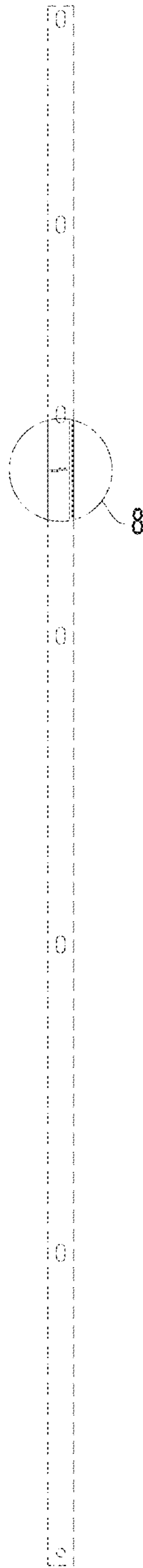


FIG. 7

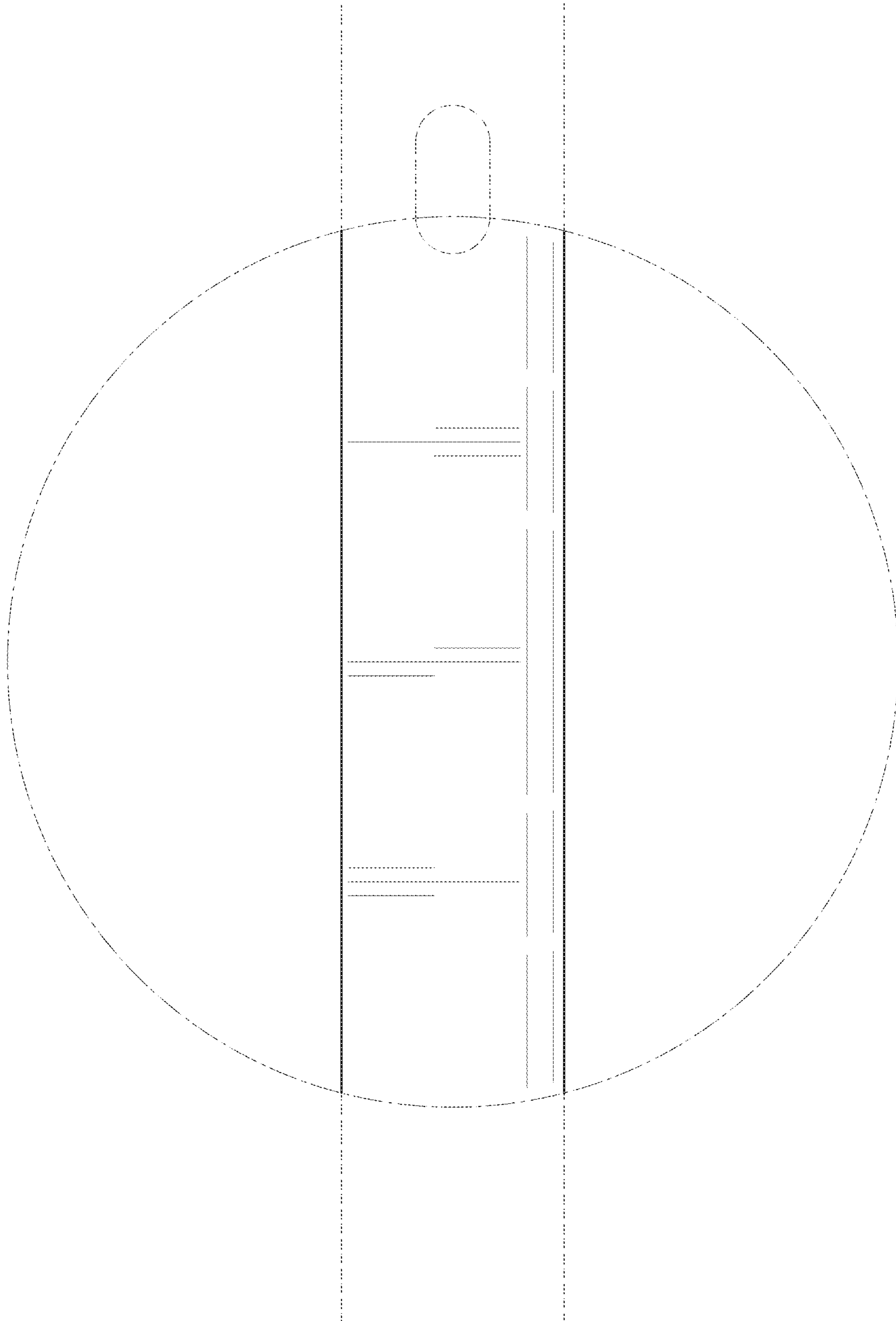


FIG. 8

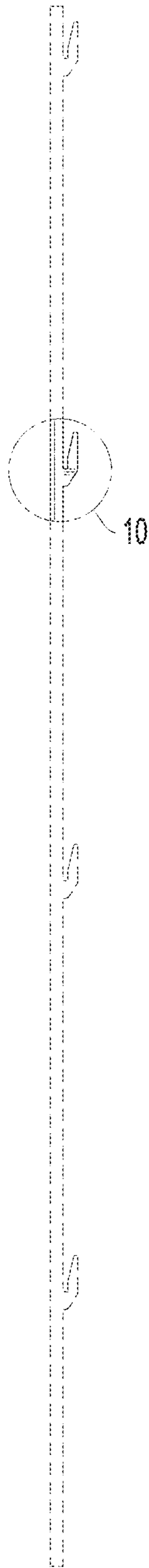


FIG. 9

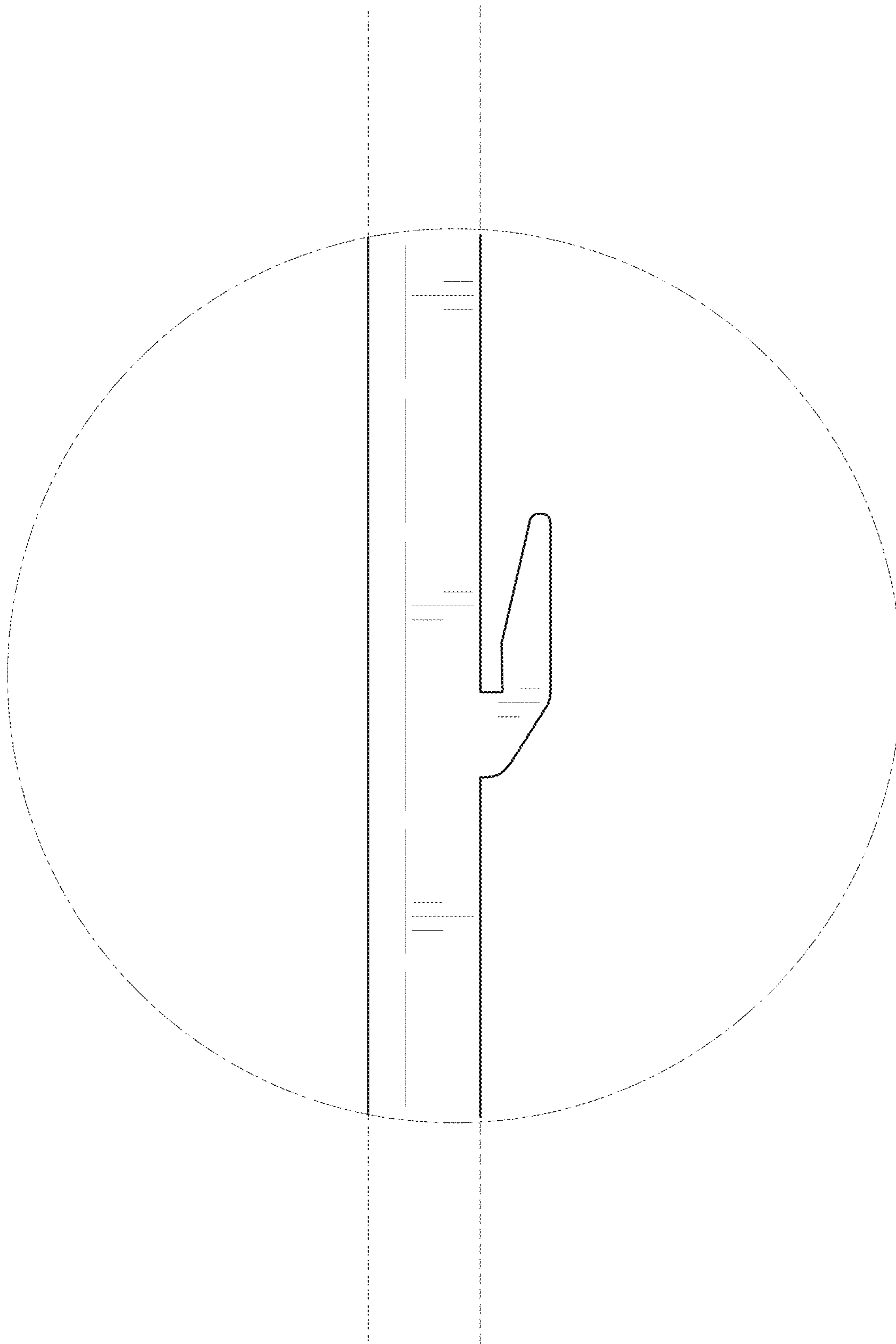


FIG. 10

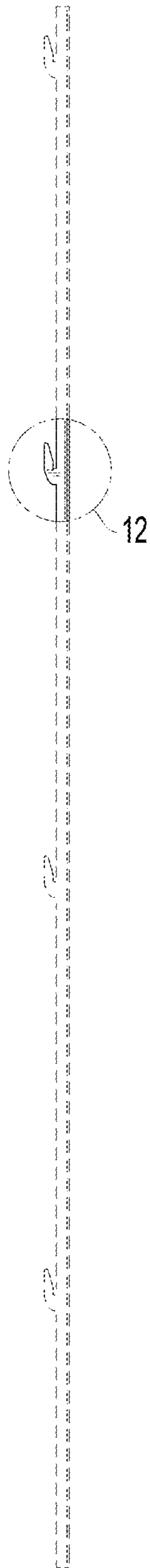


FIG. 11

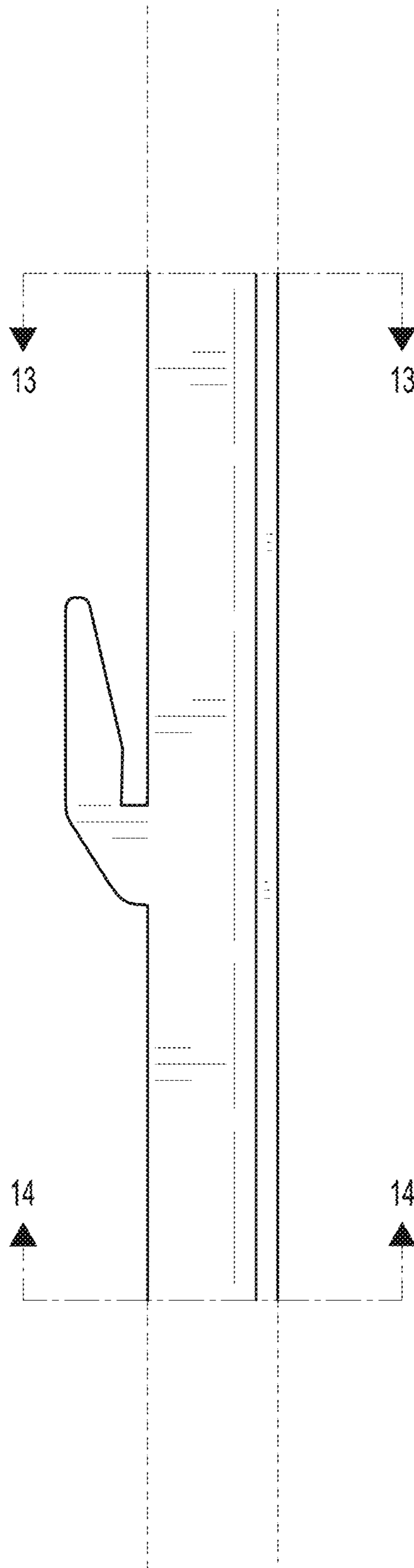


FIG. 12

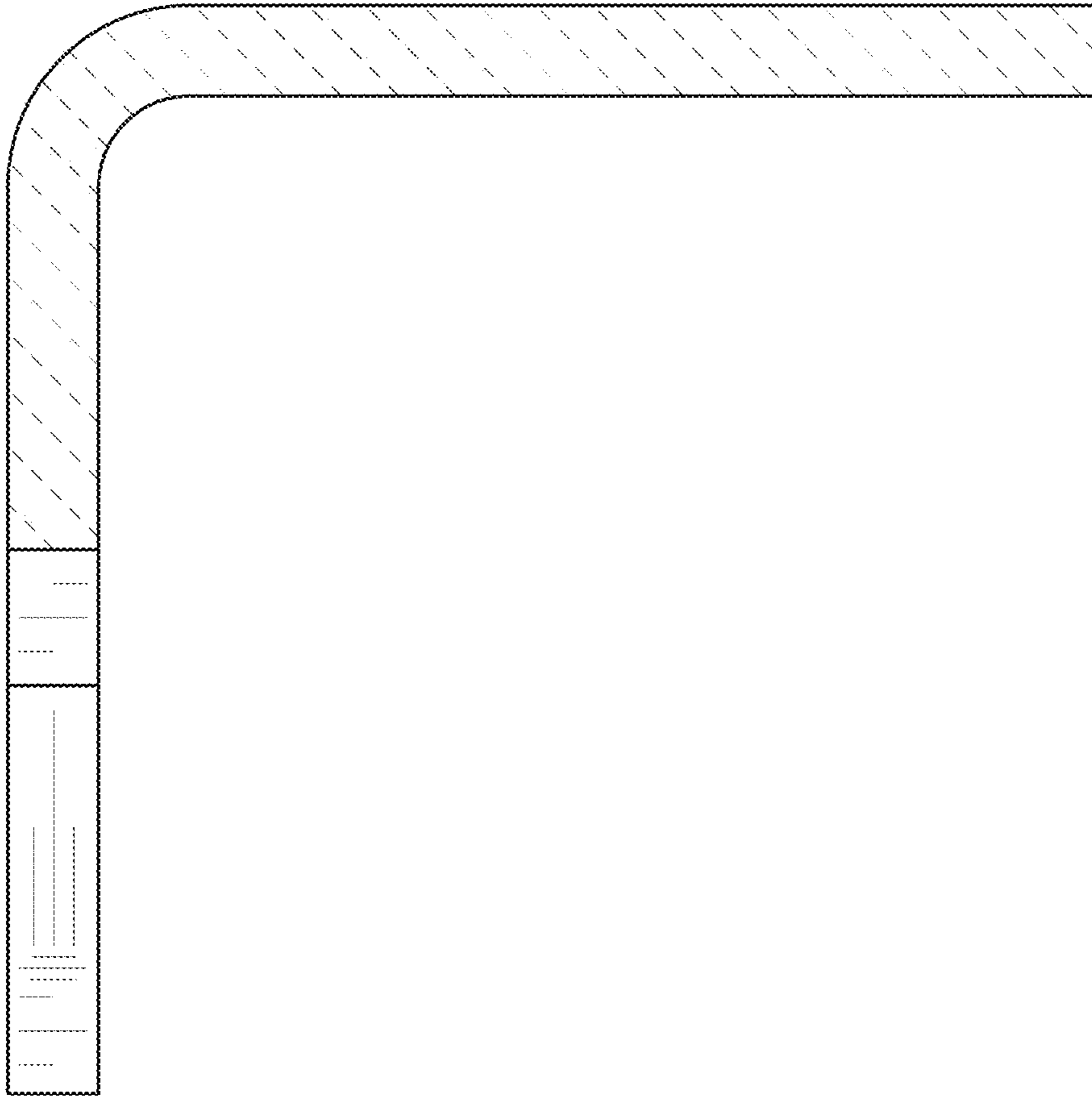


FIG. 13

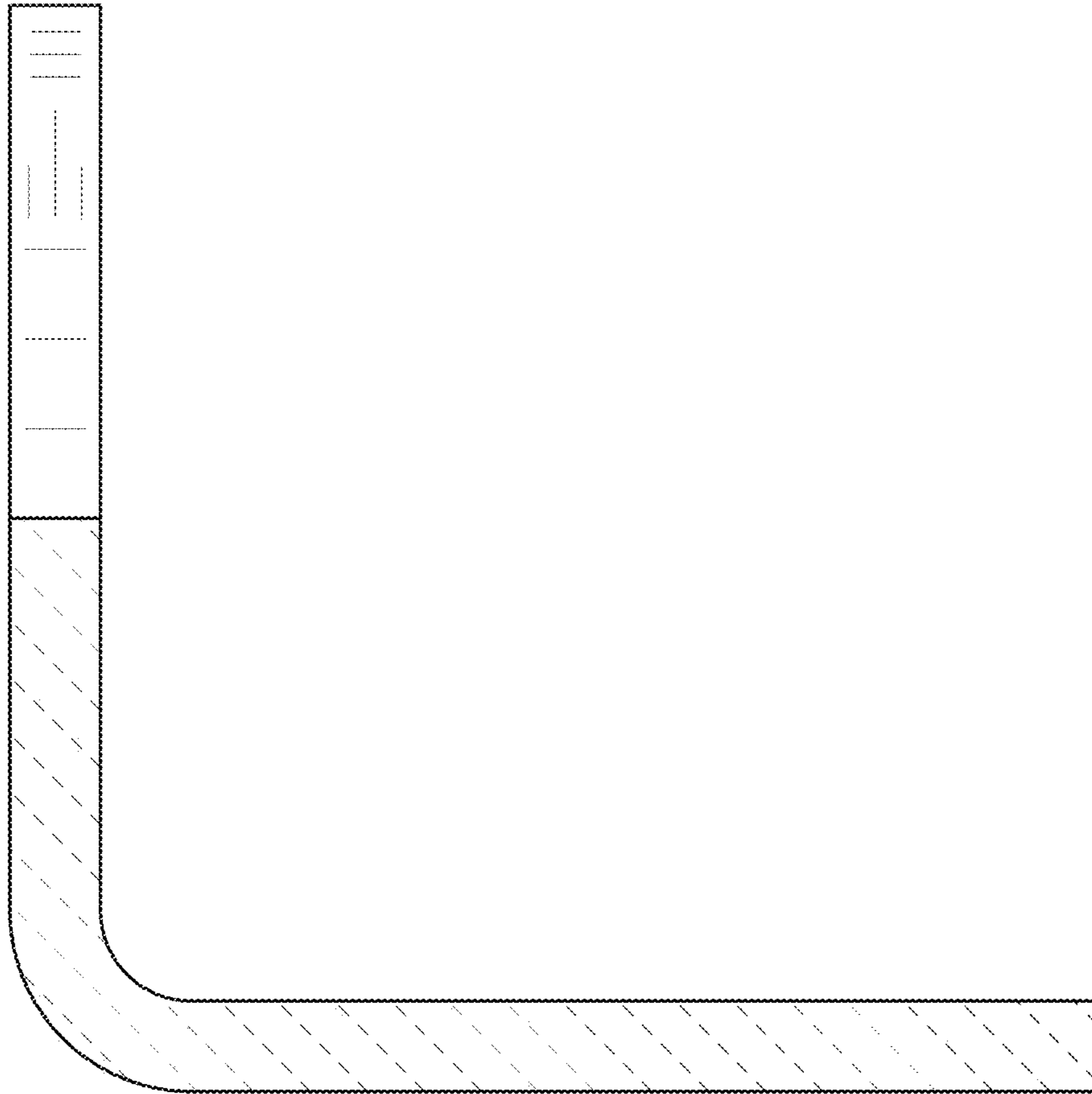


FIG. 14