



US00D934664S

(12) **United States Design Patent**
Carzola

(10) **Patent No.:** **US D934,664 S**

(45) **Date of Patent:** **** Nov. 2, 2021**

(54) **SHELF DIVIDER CLIP**

(71) Applicant: **Alexander Louis Carzola**, North Palm Beach, FL (US)

(72) Inventor: **Alexander Louis Carzola**, North Palm Beach, FL (US)

(**) Term: **15 Years**

(21) Appl. No.: **29/681,313**

(22) Filed: **Feb. 25, 2019**

Related U.S. Application Data

(63) Continuation-in-part of application No. 29/614,458, filed on Aug. 18, 2017, now Pat. No. Des. 847,548.

(51) **LOC (13) Cl.** **08-05**

(52) **U.S. Cl.**
USPC **D8/381**

(58) **Field of Classification Search**
USPC D8/381-382, 383, 386-387, 397-399, D8/394, 349; D6/705-706, 691, 695, 697
CPC A47B 57/583; A47F 5/005; A47F 5/0018; A47F 5/0025; A47F 5/0068; F16B 12/125; F16B 12/22; F16B 12/24; F16B 19/00; F16B 19/008; F16B 2005/0678; F16B 21/086; F16B 2/22; F16B 5/0084; F16B 5/0607; F16B 5/0657
See application file for complete search history.

(56) **References Cited**

U.S. PATENT DOCUMENTS

D458,781 S *	6/2002	Cook	D6/706
D591,586 S *	5/2009	Dagg	D8/382
D702,068 S *	4/2014	Mitten	D6/706
D707,994 S *	7/2014	Le	D6/706
D745,796 S *	12/2015	Zeidner	D6/706

D760,519 S *	7/2016	Le	D6/706
D799,252 S *	10/2017	Coretti, Jr.	D6/705
D799,311 S *	10/2017	Mamie	D8/382
D808,206 S *	1/2018	Zeidner	D6/706
D819,732 S *	6/2018	Nilsson	D19/34.1
D824,708 S *	8/2018	Yamamoto	D6/714
D831,394 S *	10/2018	Brooks	D6/706
D913,779 S *	3/2021	Murphy	D8/381
D917,270 S *	4/2021	Apkarian	D8/382

(Continued)

Primary Examiner — Karen S Acker

Assistant Examiner — Elizabeth S Ko

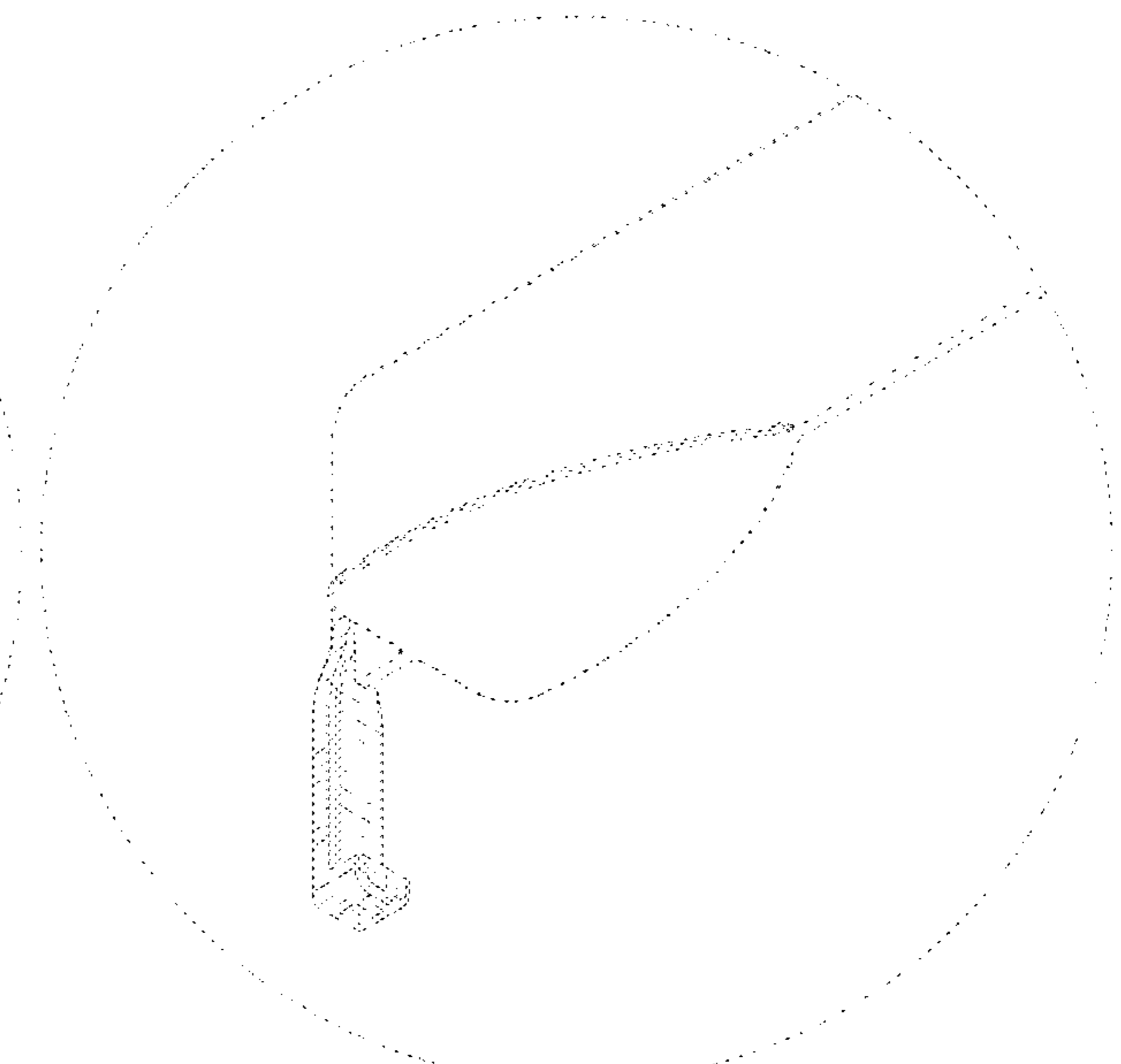
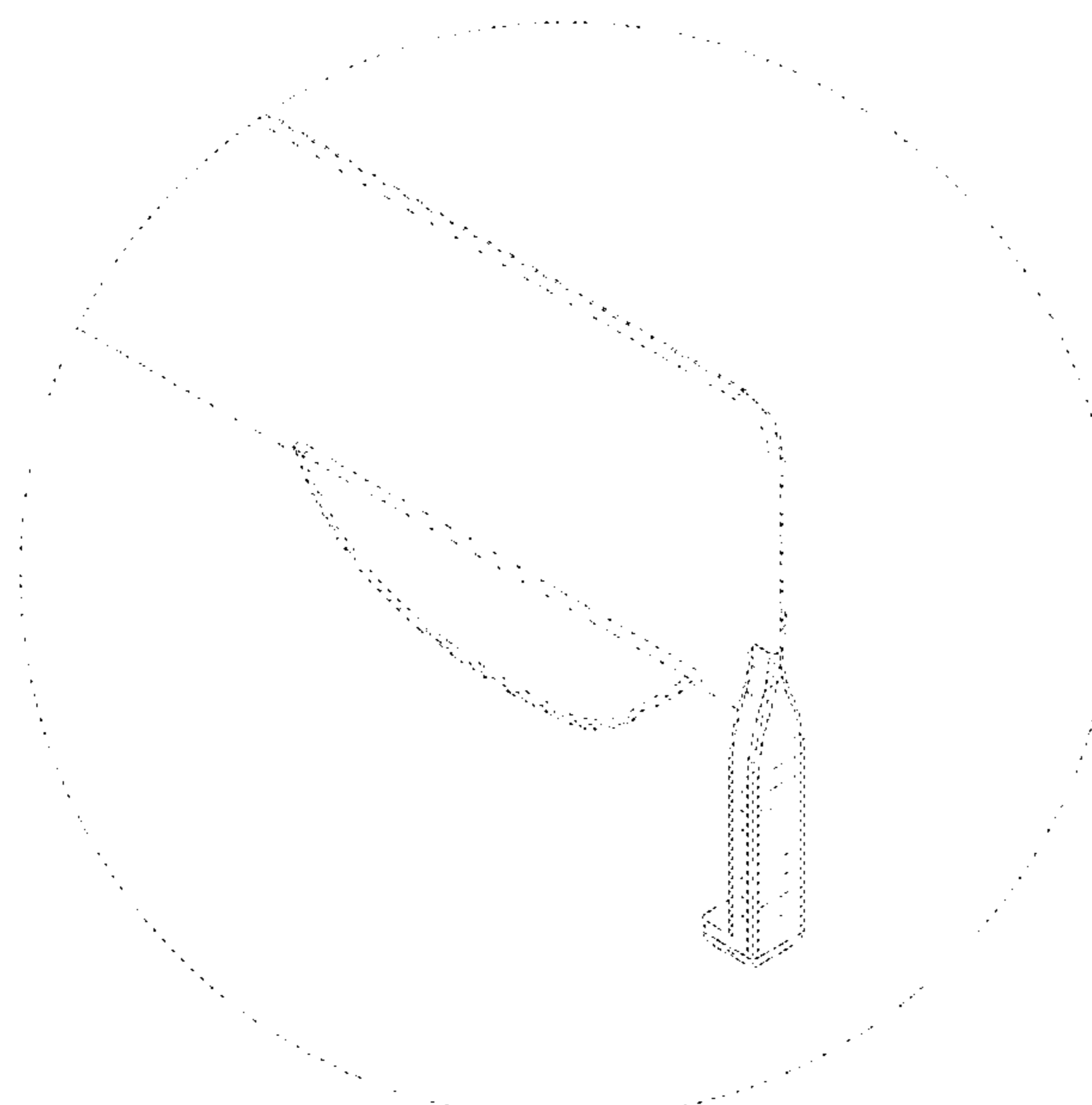
(57) **CLAIM**

The ornamental design for a shelf divider clip, as shown and described.

DESCRIPTION

FIG. 1 is a front-top perspective view of a shelf divider clip showing my new design;
 FIG. 2 is a front-bottom perspective view thereof;
 FIG. 3 is a rear-top perspective view thereof;
 FIG. 4 is a rear-bottom perspective view thereof;
 FIG. 5 is a front elevational view thereof with the rear elevational view being mirrored thereto;
 FIG. 6 is an enlarged left elevational view thereof;
 FIG. 7 is an enlarged right elevational view thereof;
 FIG. 8 is a top plan view thereof;
 FIG. 9 is a bottom plan view thereof;
 FIG. 10 is a magnified view taken about circle 10 in FIG. 1;
 FIG. 11 is a magnified view taken about circle 11 in FIG. 2;
 FIG. 12 is a magnified view taken about circle 12 in FIG. 3;
 and,
 FIG. 13 is a magnified view taken about circle 13 in FIG. 4.
 The broken lines showing the shelf divider clip in FIGS. 1-13 are included for the purpose of showing environmental structure and form no part of the claimed design.

1 Claim, 13 Drawing Sheets



(56)

References Cited

U.S. PATENT DOCUMENTS

D918,699 S * 5/2021 Apkarian D8/382
2019/0174916 A1* 6/2019 Merey A47B 57/58

* cited by examiner

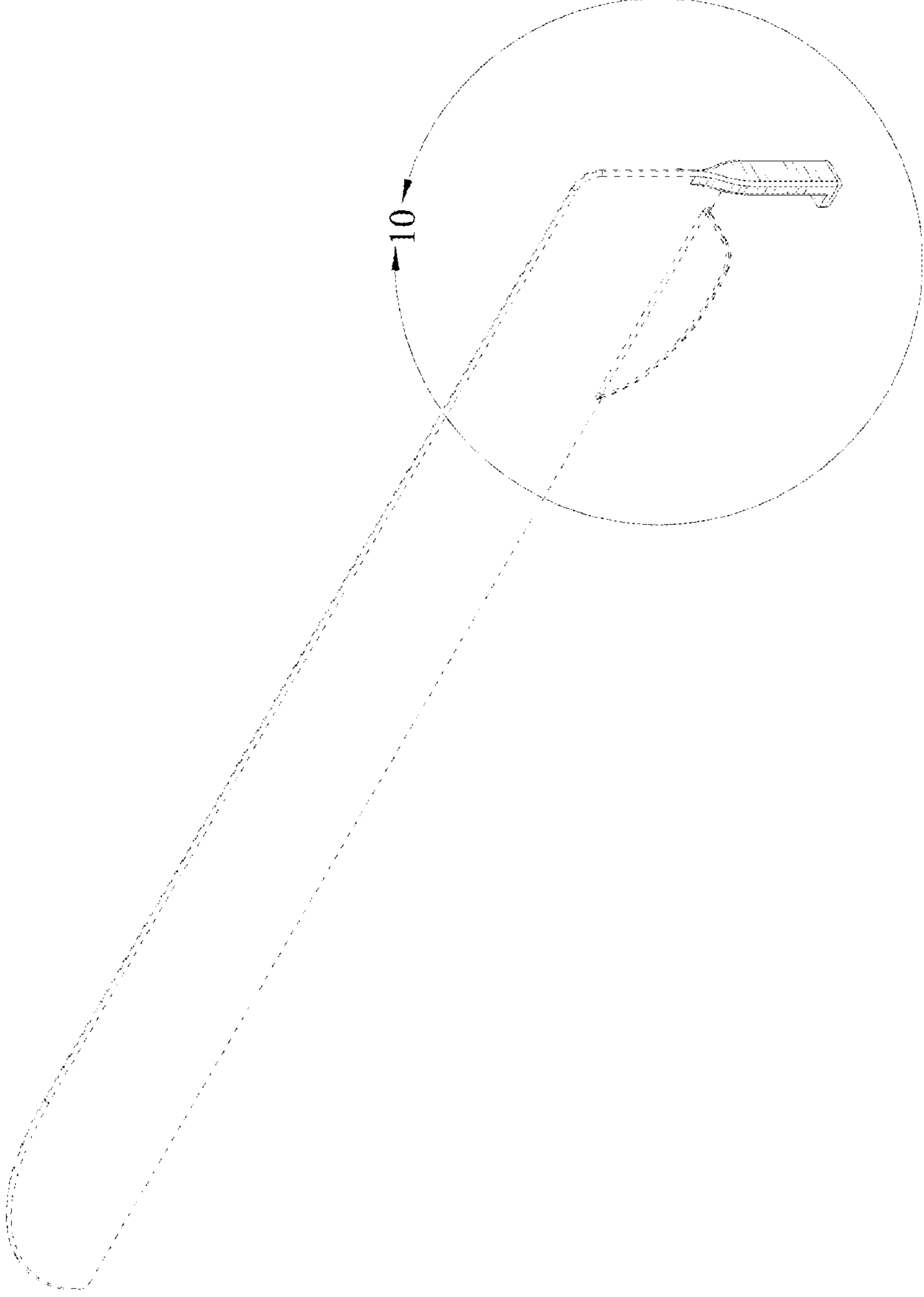


FIG. 1

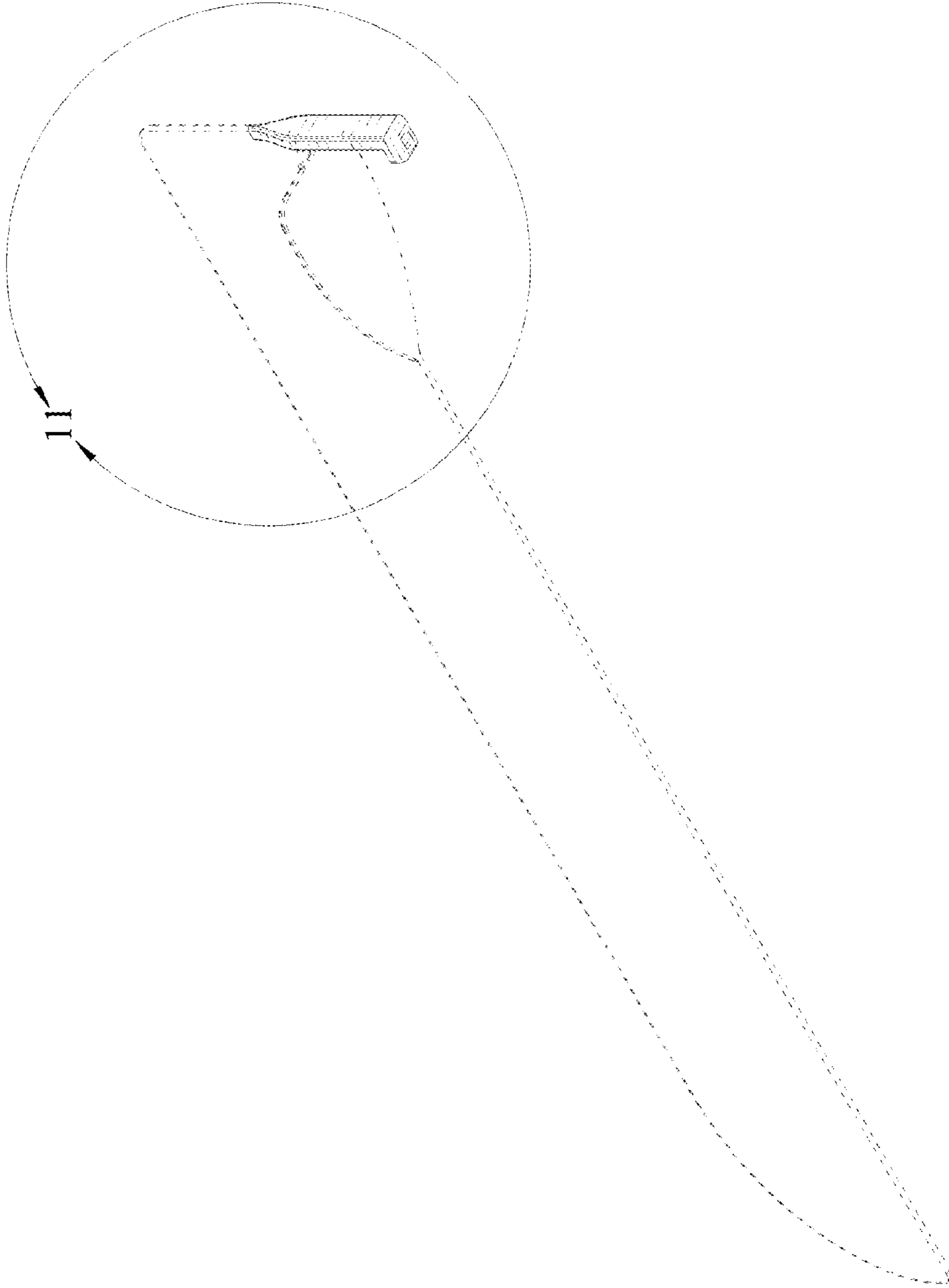


FIG. 2

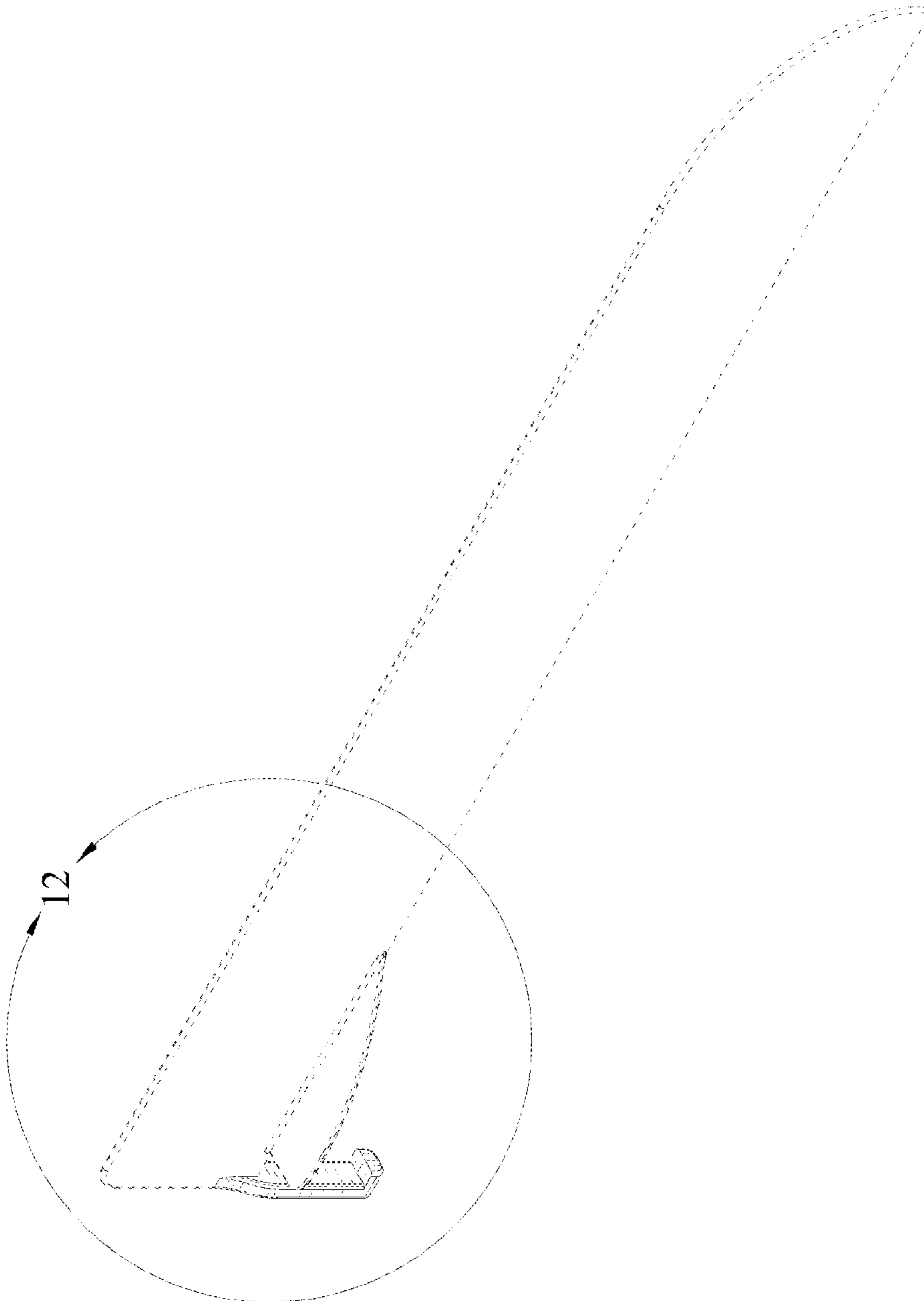


FIG. 3

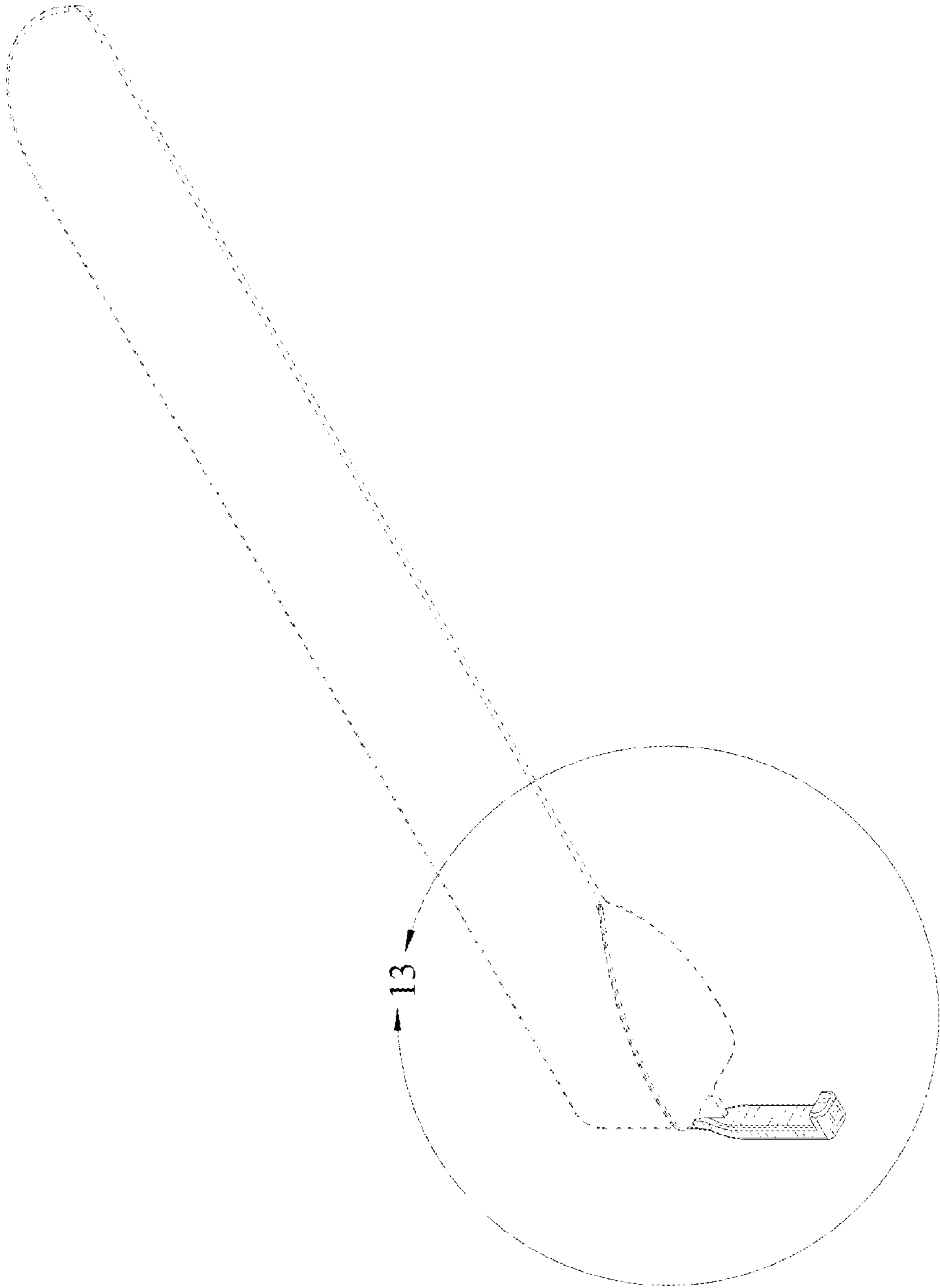


FIG. 4

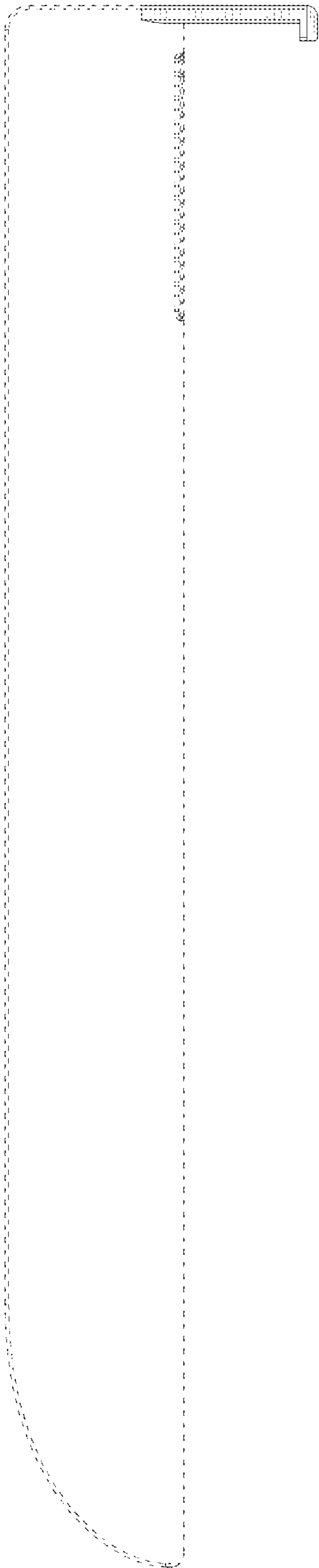


FIG. 5

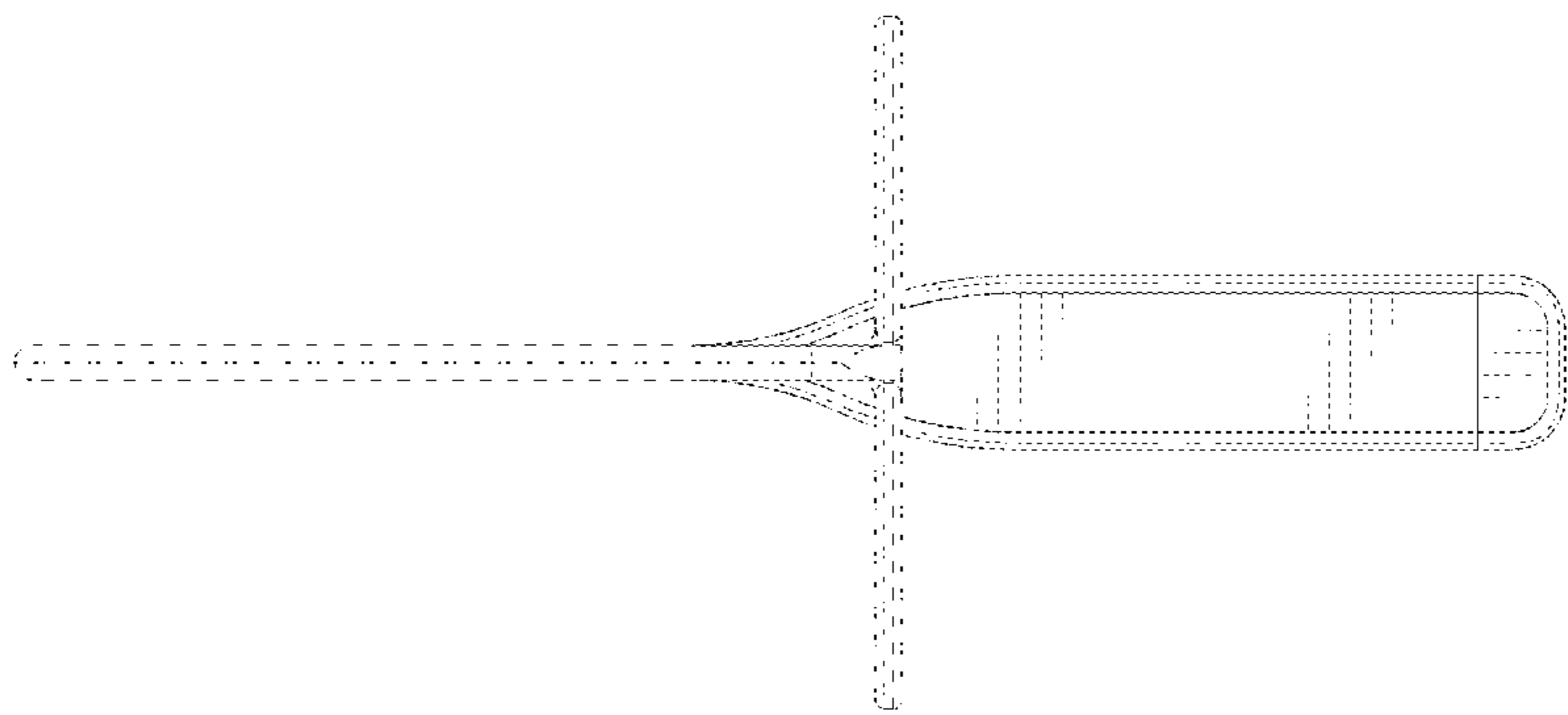


FIG. 6

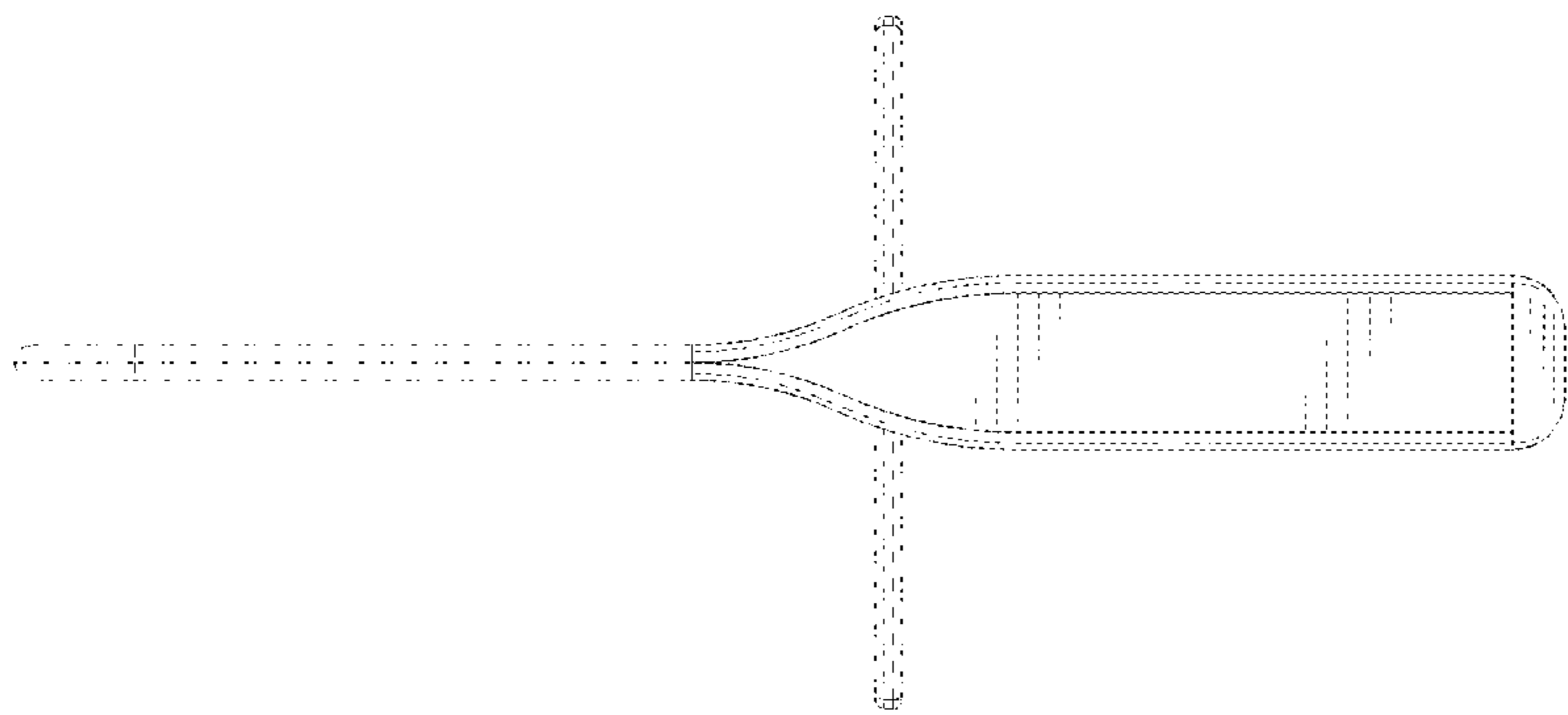


FIG. 7

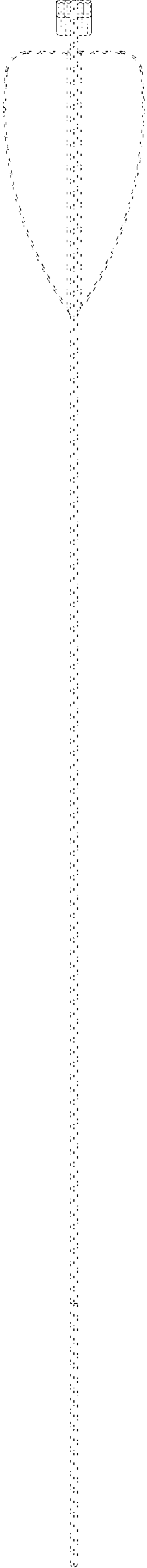


FIG. 8

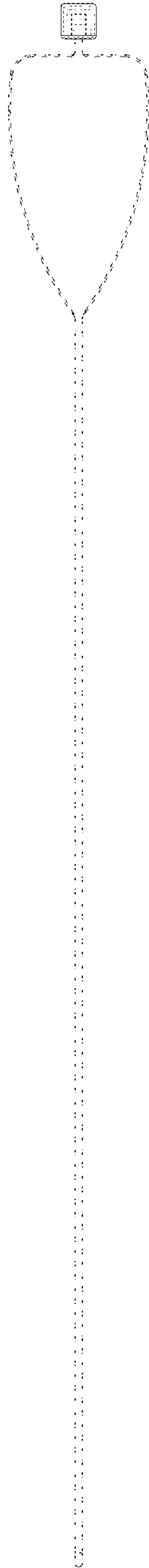


FIG. 9

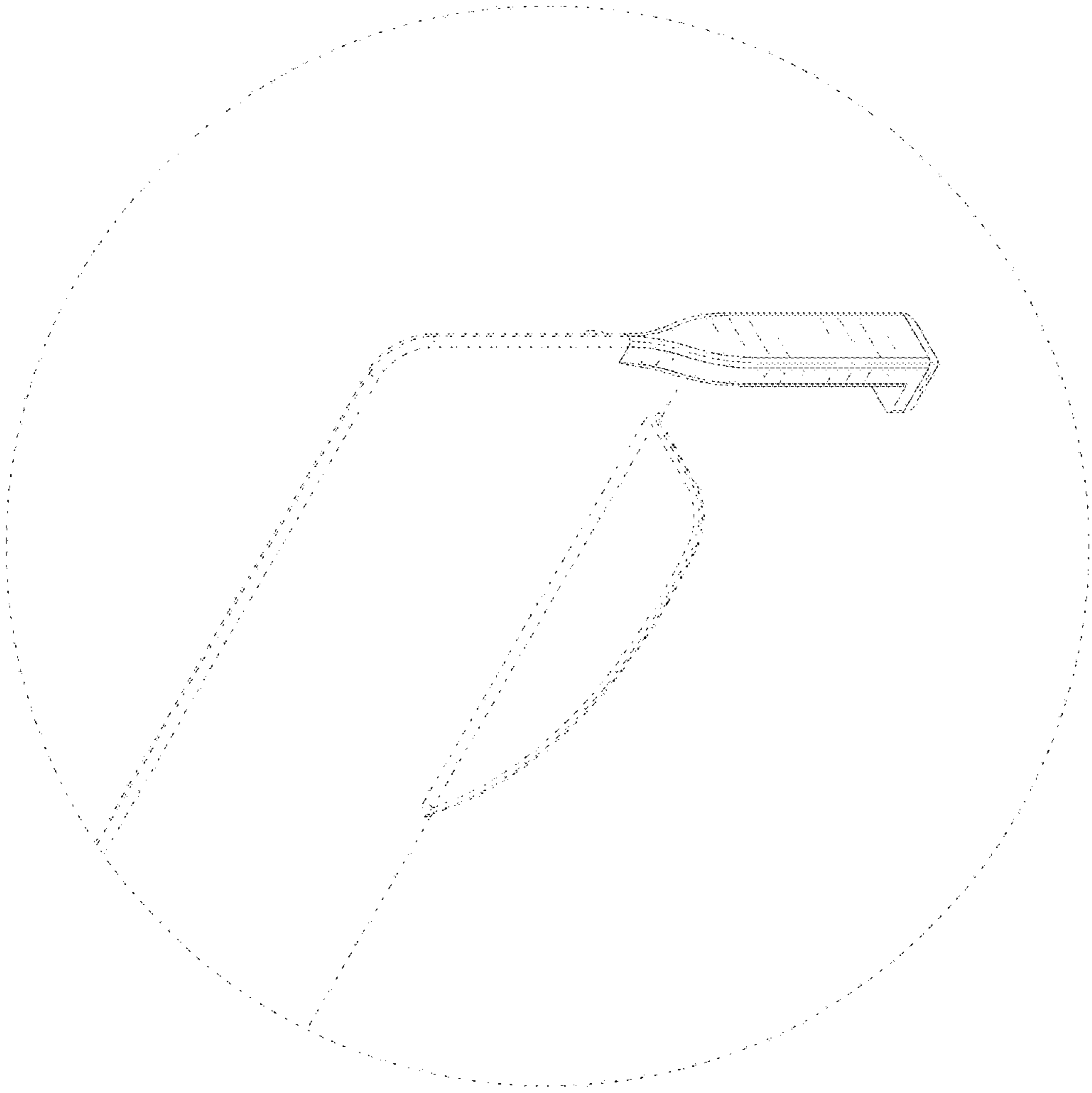


FIG. 10

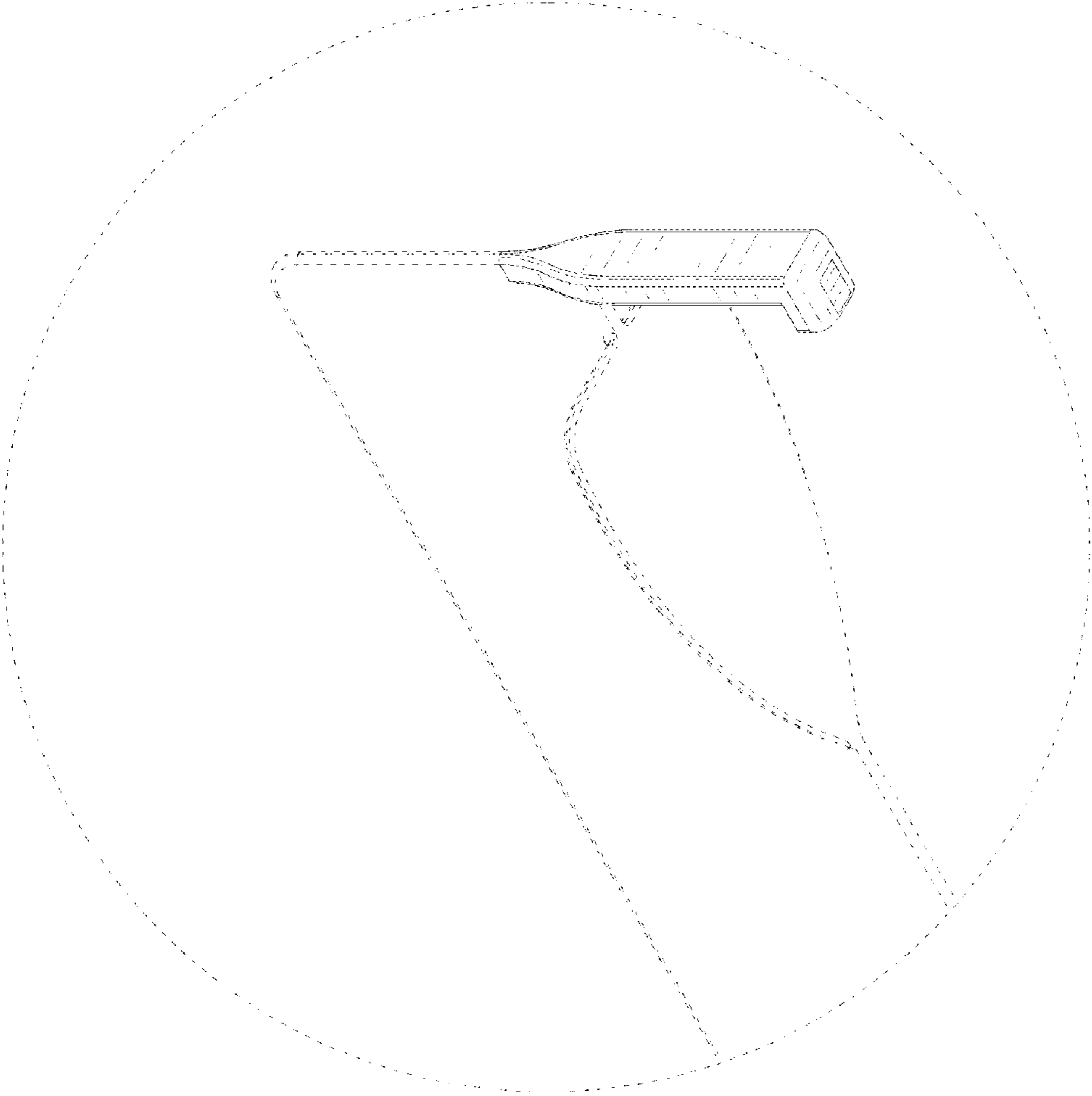


FIG. 11

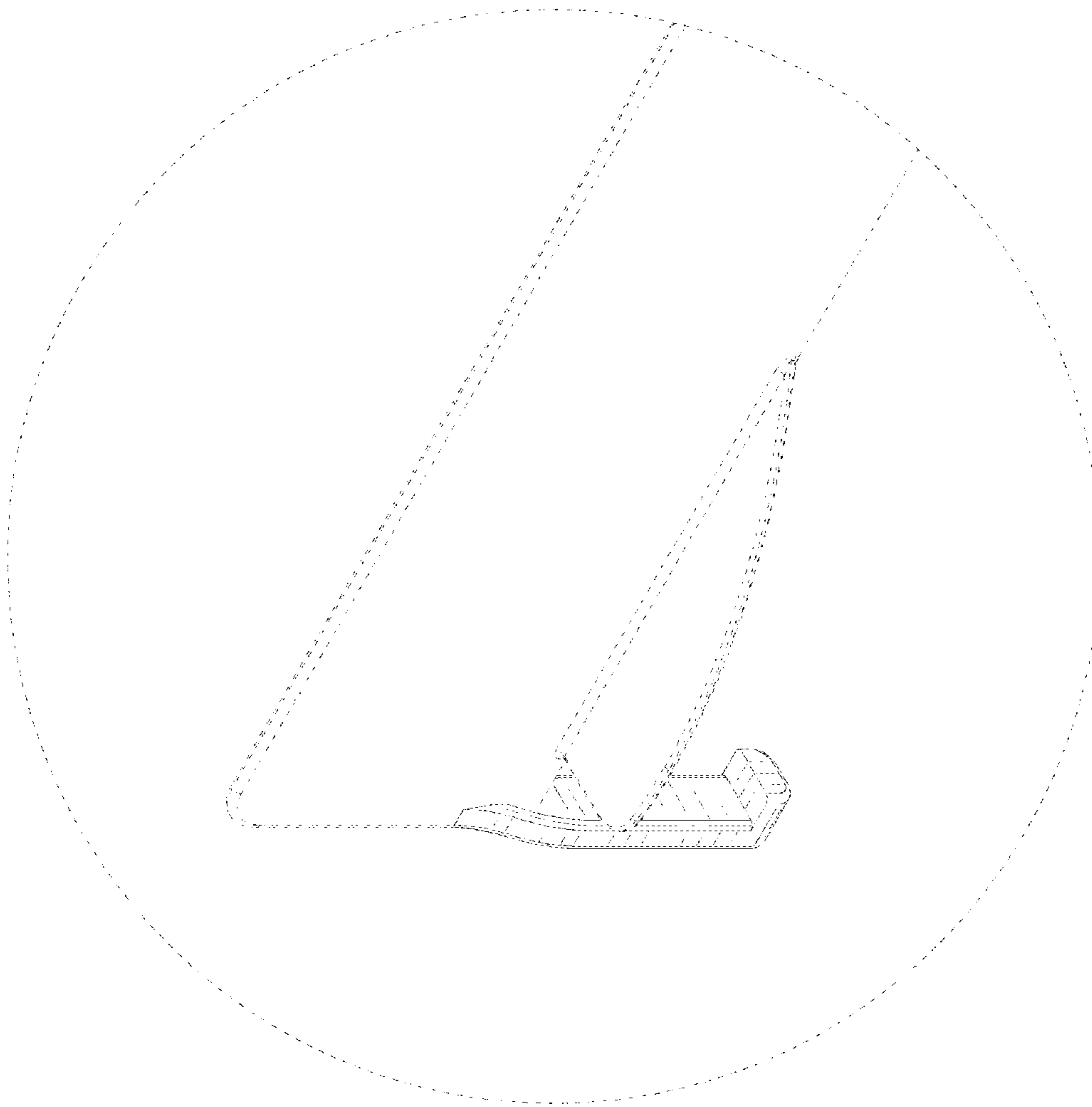


FIG. 12

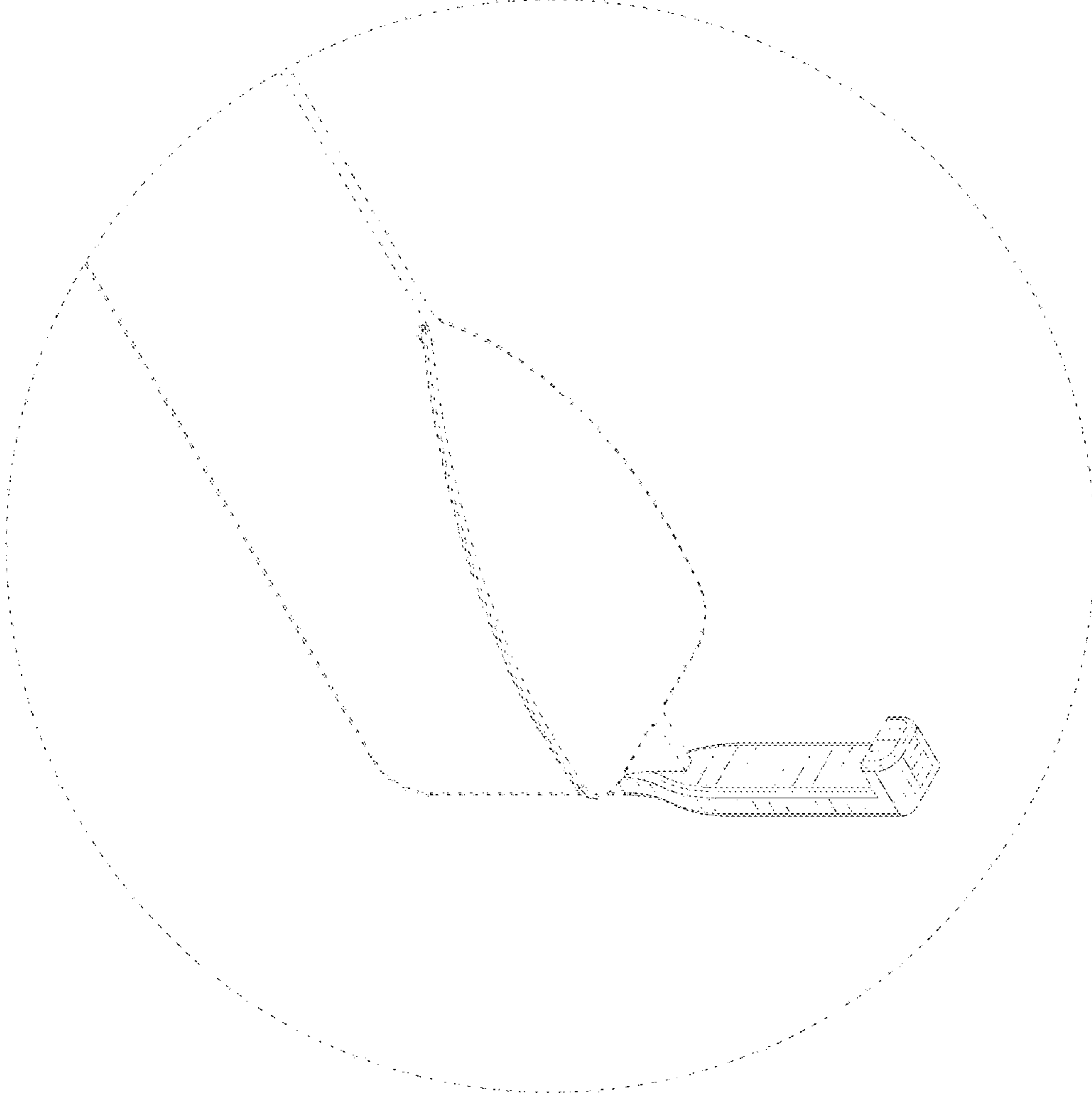


FIG. 13