



US00D934663S

(12) **United States Design Patent** (10) **Patent No.:** **US D934,663 S**
Adelman (45) **Date of Patent:** **** Nov. 2, 2021**

(54) **DOUBLE CARABINER**
(71) Applicant: **Nite Ize, Inc.**, Boulder, CO (US)
(72) Inventor: **Gregory M. Adelman**, Boulder, CO (US)
(73) Assignee: **Nite Ize, Inc.**, Boulder, CO (US)
(**) Term: **15 Years**
(21) Appl. No.: **29/758,336**
(22) Filed: **Nov. 13, 2020**

D725,373 S * 3/2015 Jiang D3/207
D729,513 S * 5/2015 Jiang D3/207
9,255,602 B2 * 2/2016 Liang F16B 45/06
D762,460 S * 8/2016 Gobbi D8/356
D765,493 S * 9/2016 Spater D8/356
D766,071 S * 9/2016 Spater D8/356
D767,975 S * 10/2016 Jiang D8/356
9,521,939 B2 * 12/2016 Haarburger A47L 13/16
D775,513 S * 1/2017 Kelleghan D8/356
D784,798 S * 4/2017 Logsdon D8/394
D785,316 S * 5/2017 Grossman D3/208
D785,317 S * 5/2017 Grossman D3/208
9,797,432 B2 * 10/2017 Inkavesvaanit F16B 45/02
D811,838 S * 3/2018 Enrico D8/34
D821,090 S * 6/2018 Case D3/207
D821,854 S * 7/2018 Berman D8/356
D854,916 S * 7/2019 Derr D8/356
D858,088 S * 9/2019 Osmanski D3/207

(Continued)

Related U.S. Application Data

(63) Continuation of application No. 17/097,335, filed on Nov. 13, 2020.
(51) **LOC (13) Cl.** **09-06**
(52) **U.S. Cl.**
USPC **D8/356**
(58) **Field of Classification Search**
USPC D8/356, 354, 105, 349, 367; D3/207;
24/376
CPC B65H 57/16; B63B 21/045; B63B 29/08;
B63B 27/02
See application file for complete search history.

Primary Examiner — Cynthia R Underwood
(74) *Attorney, Agent, or Firm* — Haynes and Boone, LLP

(57) **CLAIM**

The ornamental design for the double carabiner, as shown and described.

DESCRIPTION

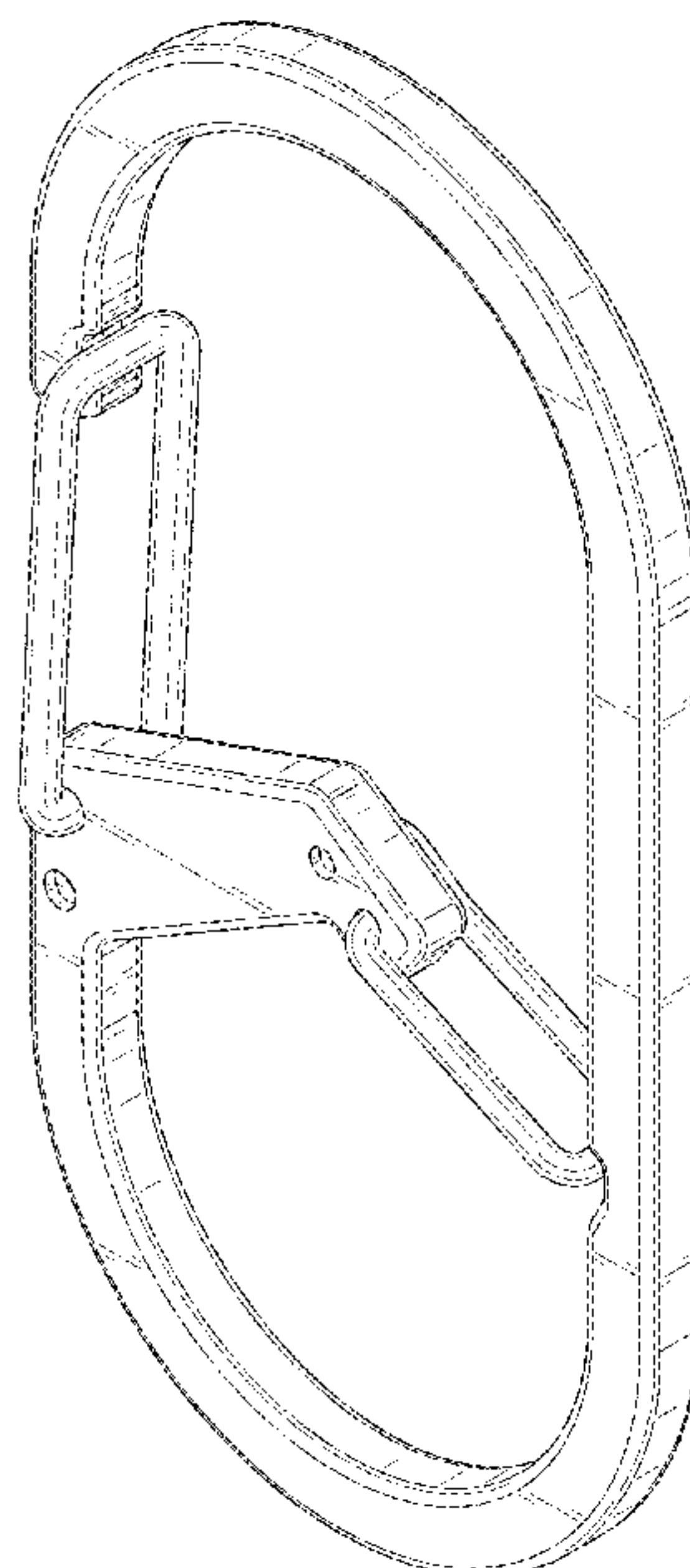
FIG. 1 shows a front perspective view of a double carabiner; FIG. 2 shows a right side view of the double carabiner of FIG. 1; FIG. 3 shows a left side view of the double carabiner of FIG. 1; FIG. 4 shows a front view of the double carabiner of FIG. 1; FIG. 5 shows a rear view of the double carabiner of FIG. 1; FIG. 6 shows a top view of the double carabiner of FIG. 1; and, FIG. 7 shows a bottom view of the double carabiner of FIG. 1.

(56) **References Cited**

U.S. PATENT DOCUMENTS

582,780 A * 5/1897 Eldridge F16B 45/02
24/582.11
D577,574 S * 9/2008 Liang D8/356
D607,712 S * 1/2010 Kelleghan D8/356
D626,393 S * 11/2010 Ormsbee D8/34
D637,473 S * 5/2011 Mitchell D8/336
D646,556 S * 10/2011 Kelleghan D8/356
D669,764 S * 10/2012 Kelleghan D8/356
D702,106 S * 4/2014 Weinberg D8/356

1 Claim, 5 Drawing Sheets



(56)

References Cited

U.S. PATENT DOCUMENTS

| | | | | | |
|--------------|------|---------|-----------|-------|--------------|
| D861,327 | S * | 10/2019 | Osmanski | | D3/207 |
| 10,499,712 | B2 * | 12/2019 | Cowdery | | A44B 13/02 |
| 10,514,057 | B2 * | 12/2019 | Cardella | | E05B 17/0041 |
| 10,624,426 | B2 * | 4/2020 | Adelman | | F16B 2/22 |
| 2009/0000086 | A1 * | 1/2009 | Bing | | F16B 45/06 |
| | | | | | 24/592.11 |
| 2016/0153487 | A1 * | 6/2016 | Hollinger | | F16B 45/02 |
| | | | | | 24/376 |

* cited by examiner

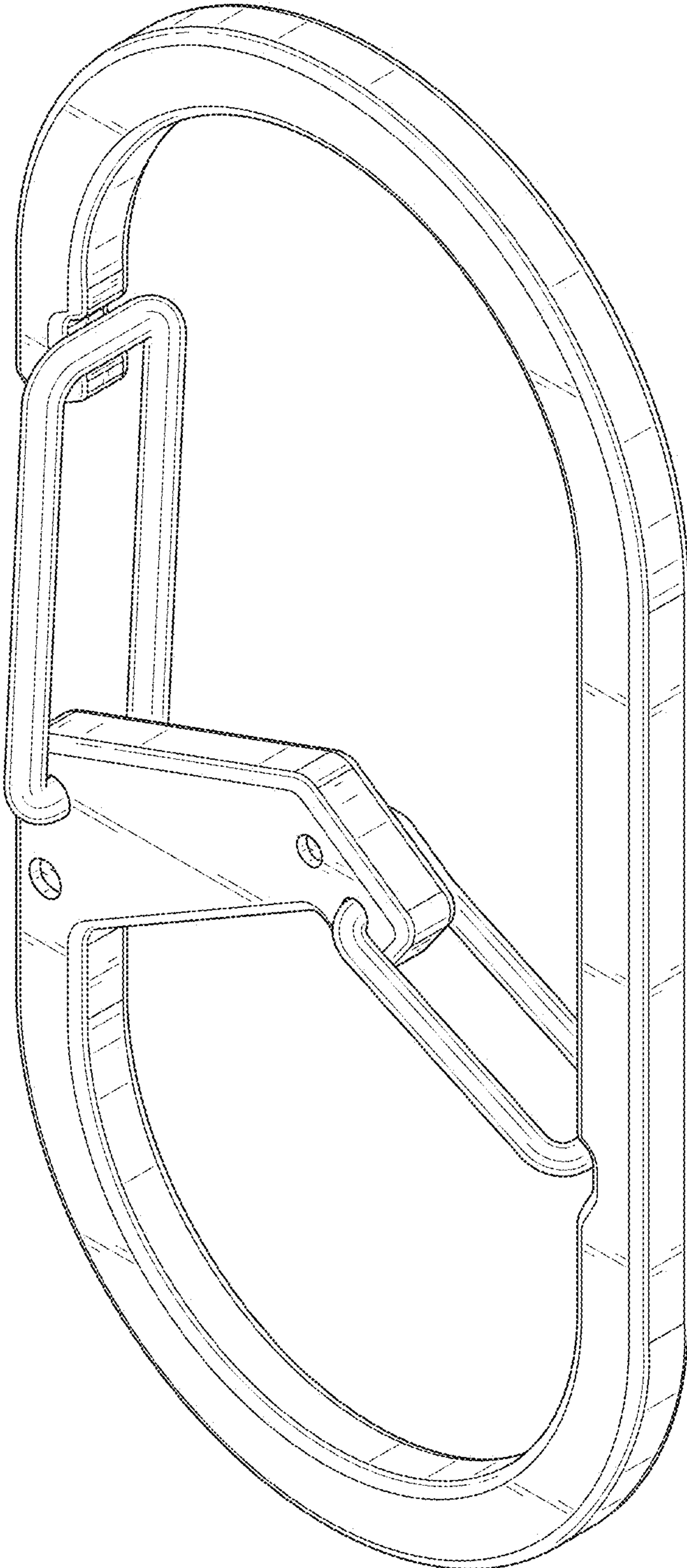


FIG. 1

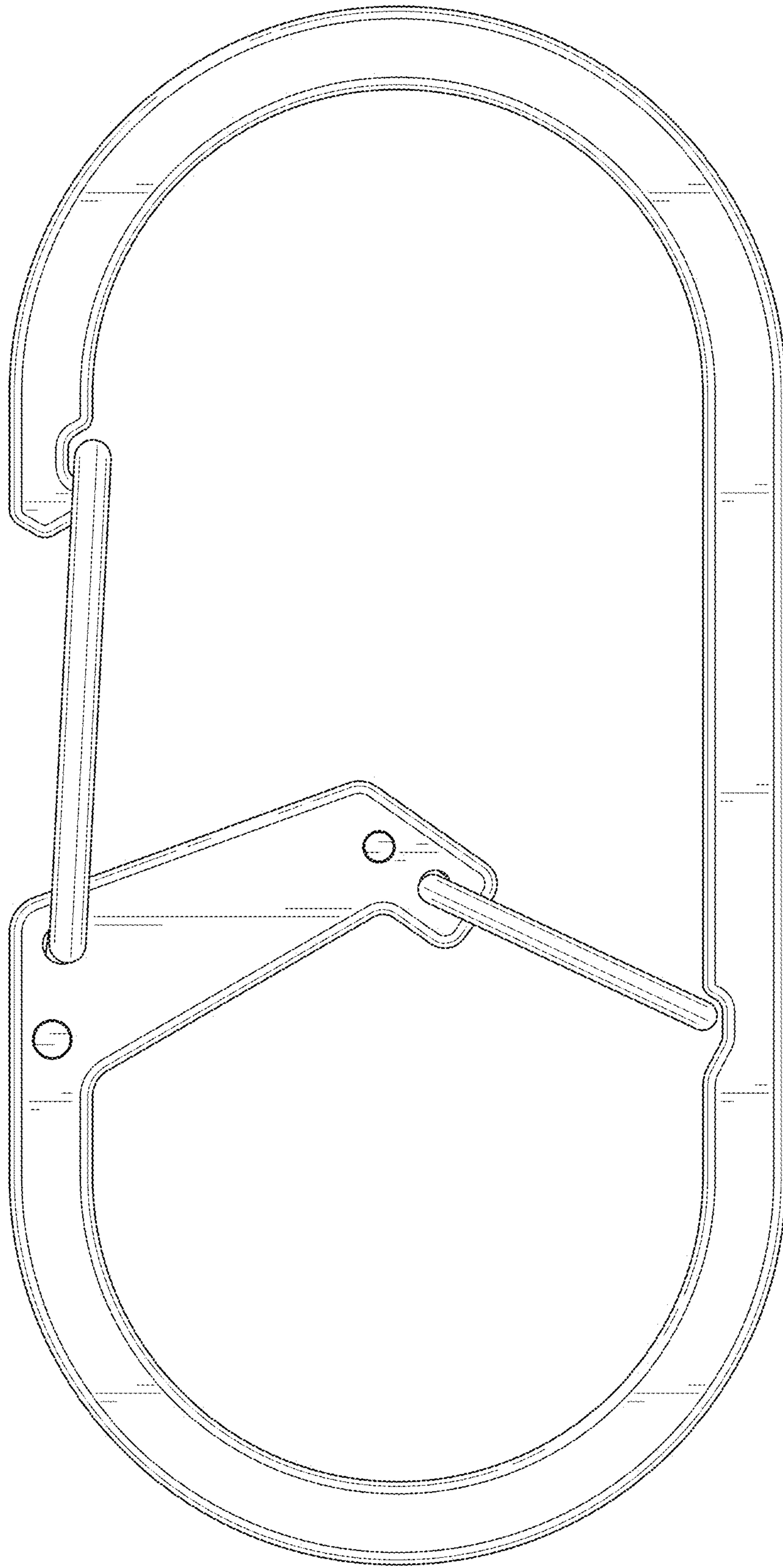


FIG. 2

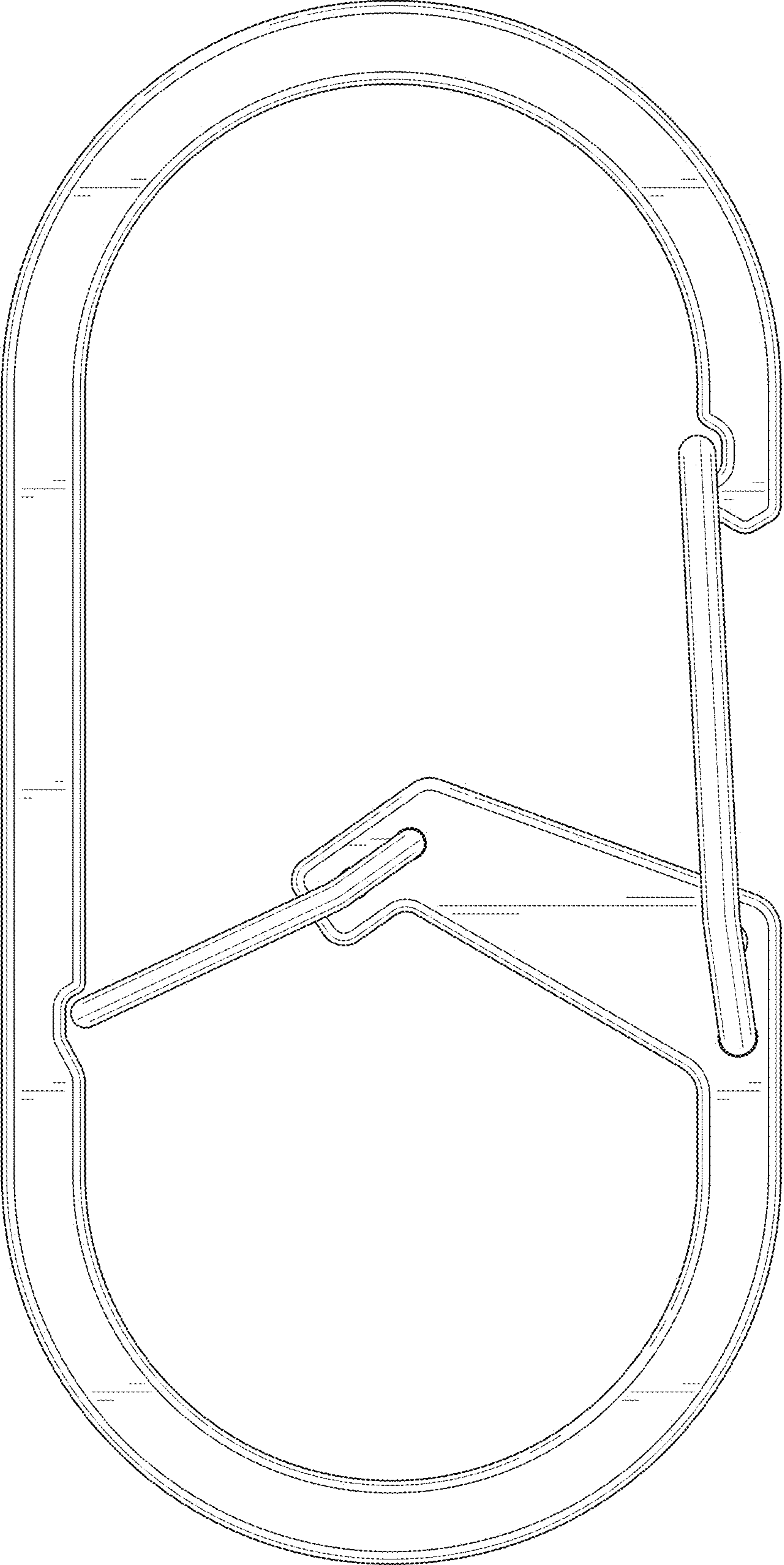


FIG. 3

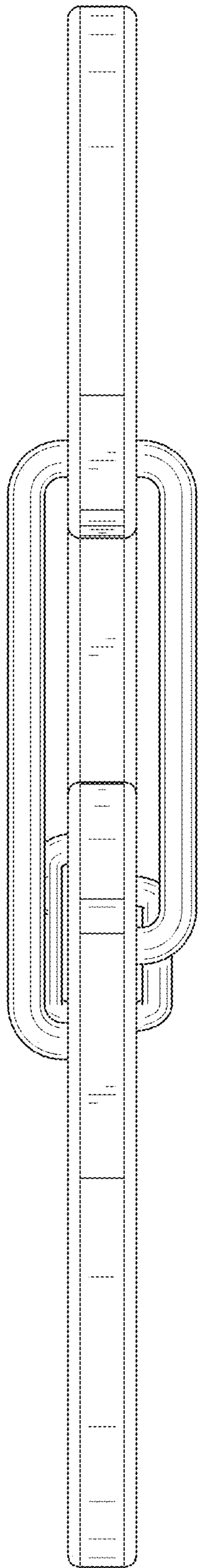


FIG. 4

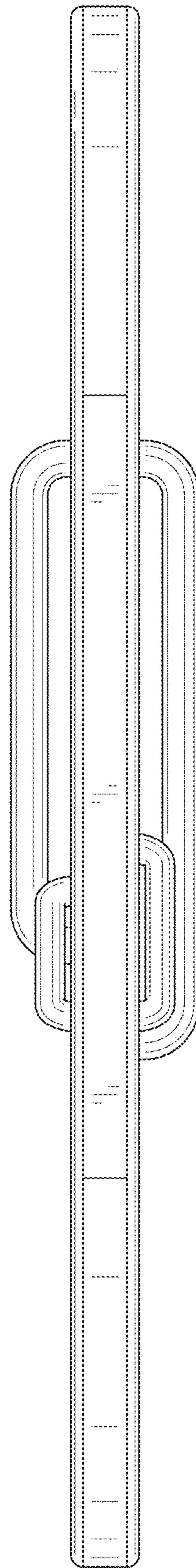


FIG. 5

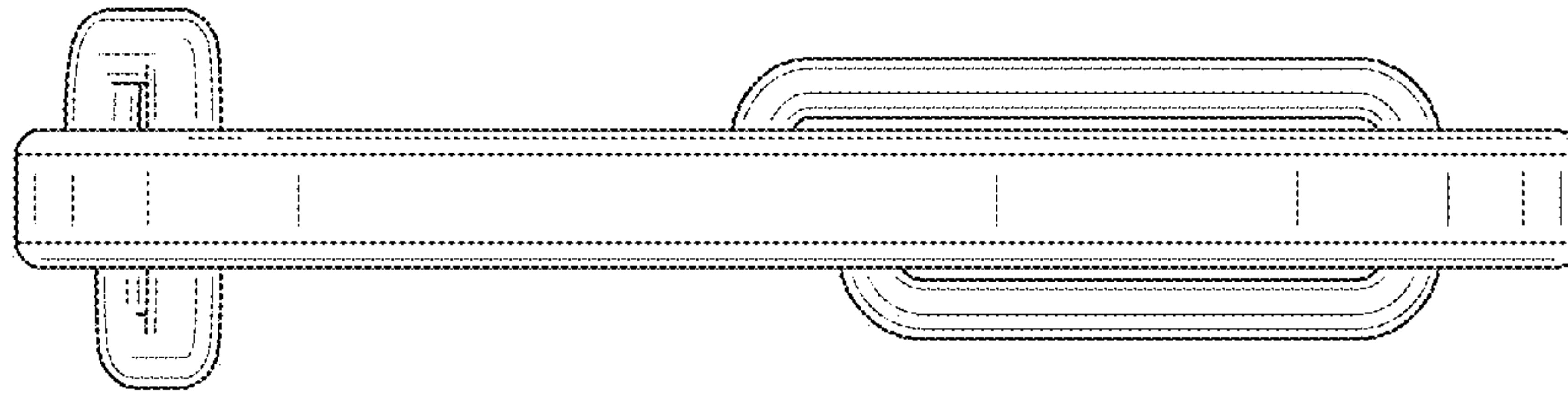


FIG. 6

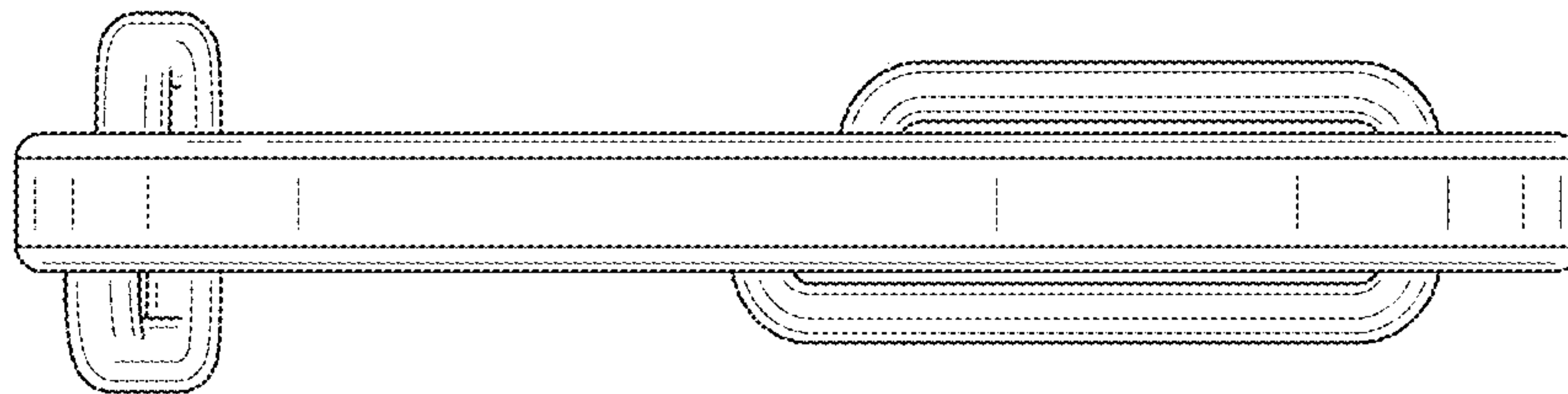


FIG. 7