



US00D934662S

(12) **United States Design Patent**
Adelman

(10) **Patent No.:** **US D934,662 S**

(45) **Date of Patent:** **** Nov. 2, 2021**

(54) **DUAL CARABINER**

(71) Applicant: **Nite Ize, Inc.**, Boulder, CO (US)

(72) Inventor: **Gregory M. Adelman**, Boulder, CO (US)

(73) Assignee: **Nite Ize, Inc.**, Boulder, CO (US)

(**) Term: **15 Years**

(21) Appl. No.: **29/758,335**

(22) Filed: **Nov. 13, 2020**

Related U.S. Application Data

(63) Continuation of application No. 17/097,335, filed on Nov. 13, 2020.

(51) **LOC (13) Cl.** **09-06**

(52) **U.S. Cl.**
USPC **D8/356**

(58) **Field of Classification Search**
USPC D8/356, 354, 105, 349, 367; D3/207;
24/376
CPC B65H 57/16; B63B 21/045; A63B 29/08;
A63B 27/02
See application file for complete search history.

(56) **References Cited**

U.S. PATENT DOCUMENTS

- 582,780 A * 5/1897 Eldridge F16B 45/02
24/582.11
- D577,574 S * 9/2008 Liang D8/356
- D607,712 S * 1/2010 Kelleghan D8/356
- D626,393 S * 11/2010 Ormsbee D8/34
- D637,473 S * 5/2011 Mitchell D8/336
- D646,556 S * 10/2011 Kelleghan D8/356
- D669,764 S * 10/2012 Kelleghan D8/356

- D702,106 S * 4/2014 Weinberg D8/356
- D725,373 S * 3/2015 Jiang D3/207
- D729,513 S * 5/2015 Jiang D3/207
- 9,255,602 B2 * 2/2016 Liang F16B 45/06
- D762,460 S * 8/2016 Gobbi D8/356
- D765,493 S * 9/2016 Spater D8/356
- D766,071 S * 9/2016 Spater D8/356
- D767,975 S * 10/2016 Jiang D8/356
- 9,521,939 B2 * 12/2016 Haarbuerger A47L 13/16
- D775,513 S * 1/2017 Kelleghan D8/356
- D784,798 S * 4/2017 Logsdon D8/394
- D785,316 S * 5/2017 Grossman D3/208
- D785,317 S * 5/2017 Grossman D3/208
- 9,797,432 B2 * 10/2017 Inkavesvaanit F16B 45/02
- D811,838 S * 3/2018 Enrico D8/34
- D821,090 S * 6/2018 Case D3/207
- D821,854 S * 7/2018 Berman D8/356
- D854,916 S * 7/2019 Derr D8/356
- D858,088 S * 9/2019 Osmanski D3/207
- D861,327 S * 10/2019 Osmanski D3/207

(Continued)

Primary Examiner — Cynthia R Underwood

(74) *Attorney, Agent, or Firm* — Haynes and Boone, LLP

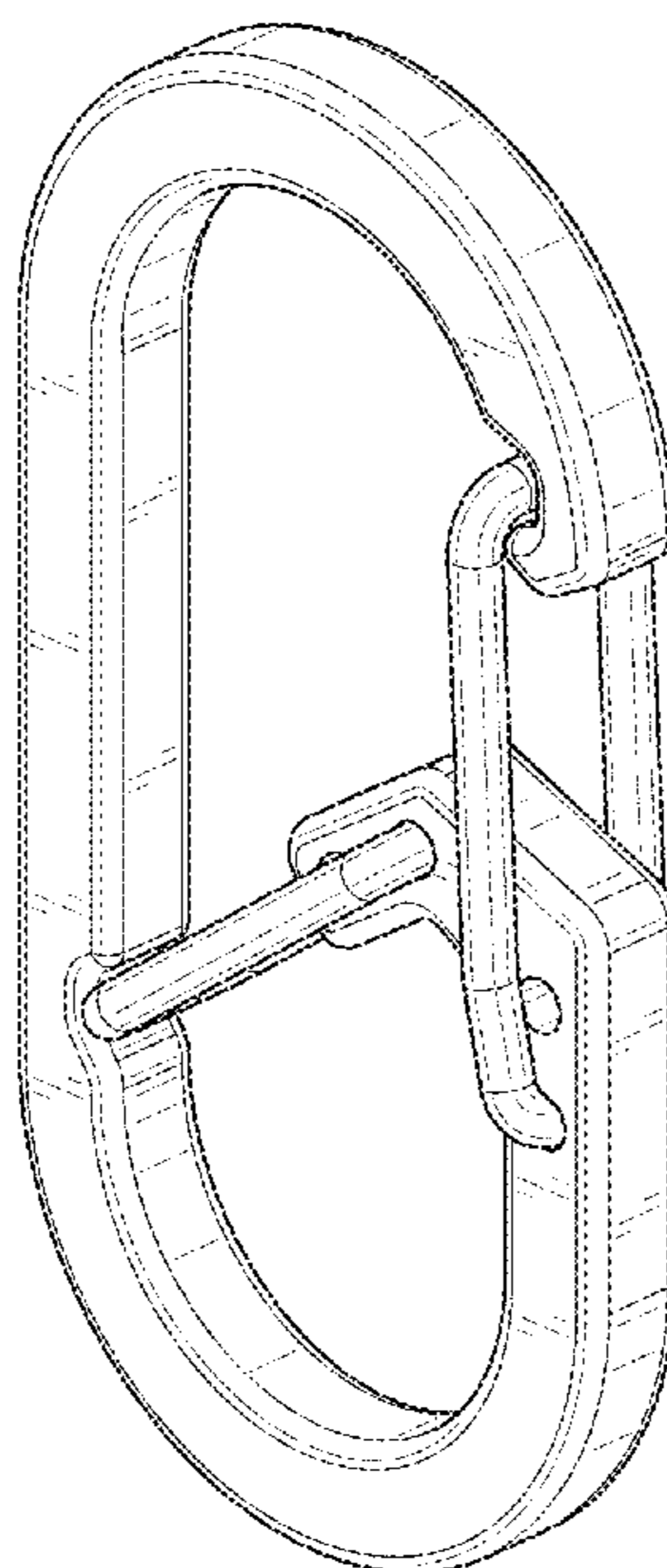
(57) **CLAIM**

The ornamental design for the dual carabiner, as shown and described.

DESCRIPTION

FIG. 1 shows a front perspective view of a dual carabiner; FIG. 2 shows a left side view of the dual carabiner of FIG. 1; FIG. 3 shows a right side view of the dual carabiner of FIG. 1; FIG. 4 shows a front view of the dual carabiner of FIG. 1; FIG. 5 shows a rear view of the dual carabiner of FIG. 1; FIG. 6 shows a top view of the dual carabiner of FIG. 1; and FIG. 7 shows a bottom view of the dual carabiner of FIG. 1.

1 Claim, 5 Drawing Sheets



(56)

References Cited

U.S. PATENT DOCUMENTS

10,499,712 B2 * 12/2019 Cowdery A44B 13/02
10,514,057 B2 * 12/2019 Cardella E05B 17/0041
10,624,426 B2 * 4/2020 Adelman F16B 2/22
2009/0000086 A1 * 1/2009 Bing F16B 45/06
24/592.11
2016/0153487 A1 * 6/2016 Hollinger F16B 45/02
24/376

* cited by examiner

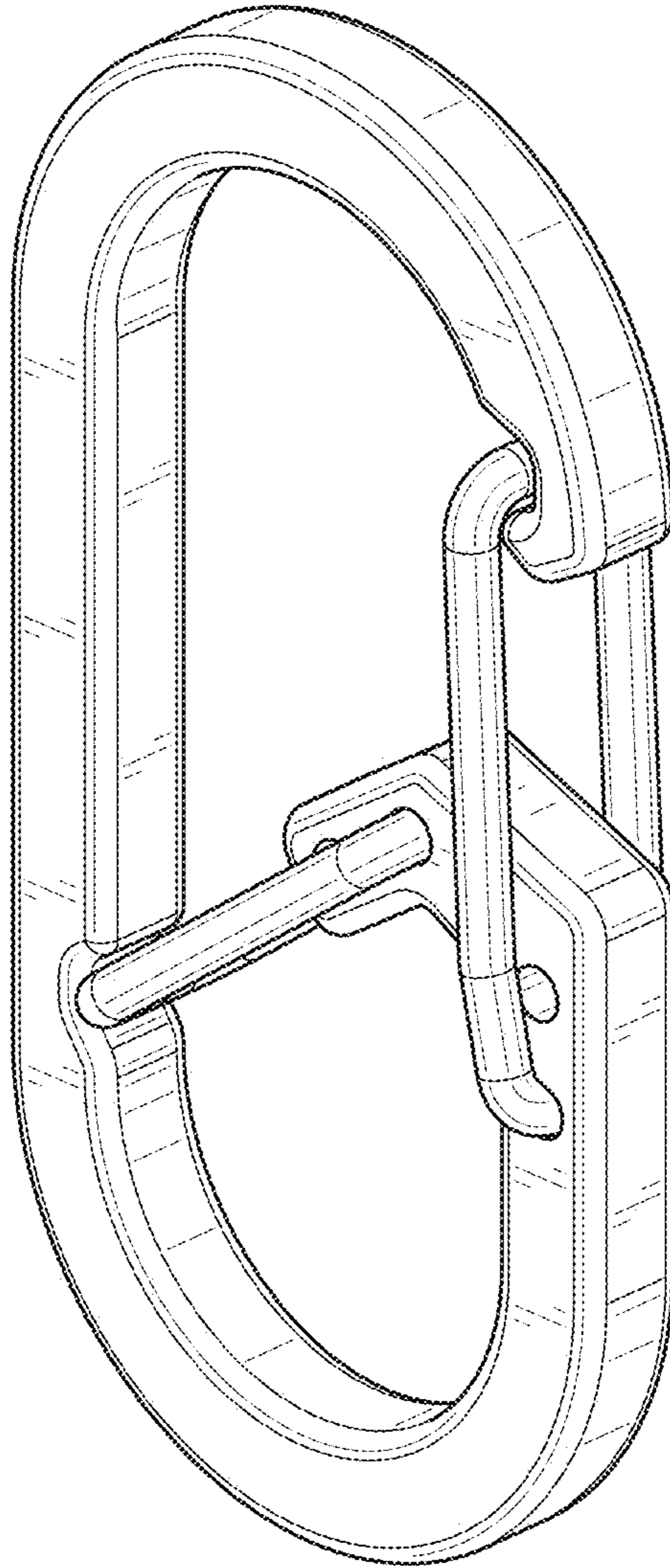


FIG. 1

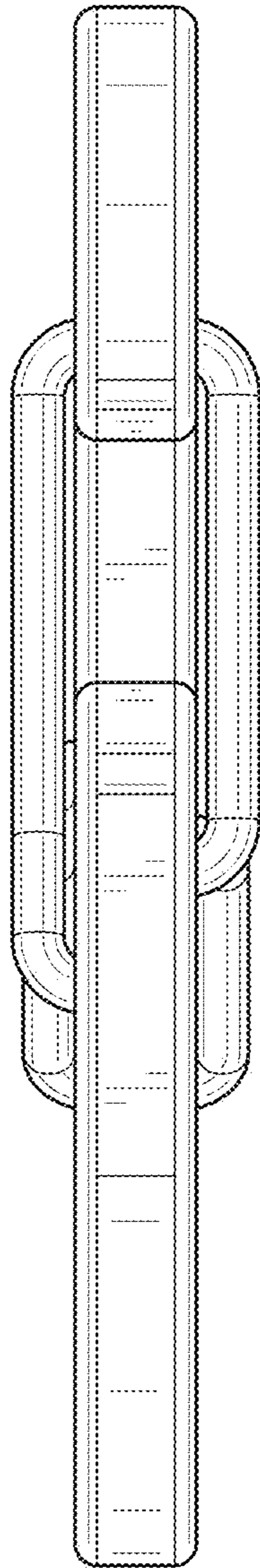


FIG. 2

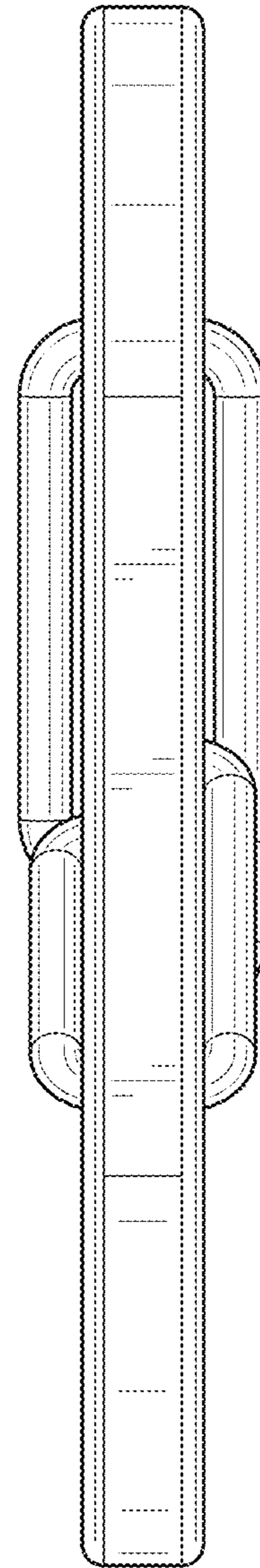


FIG. 3

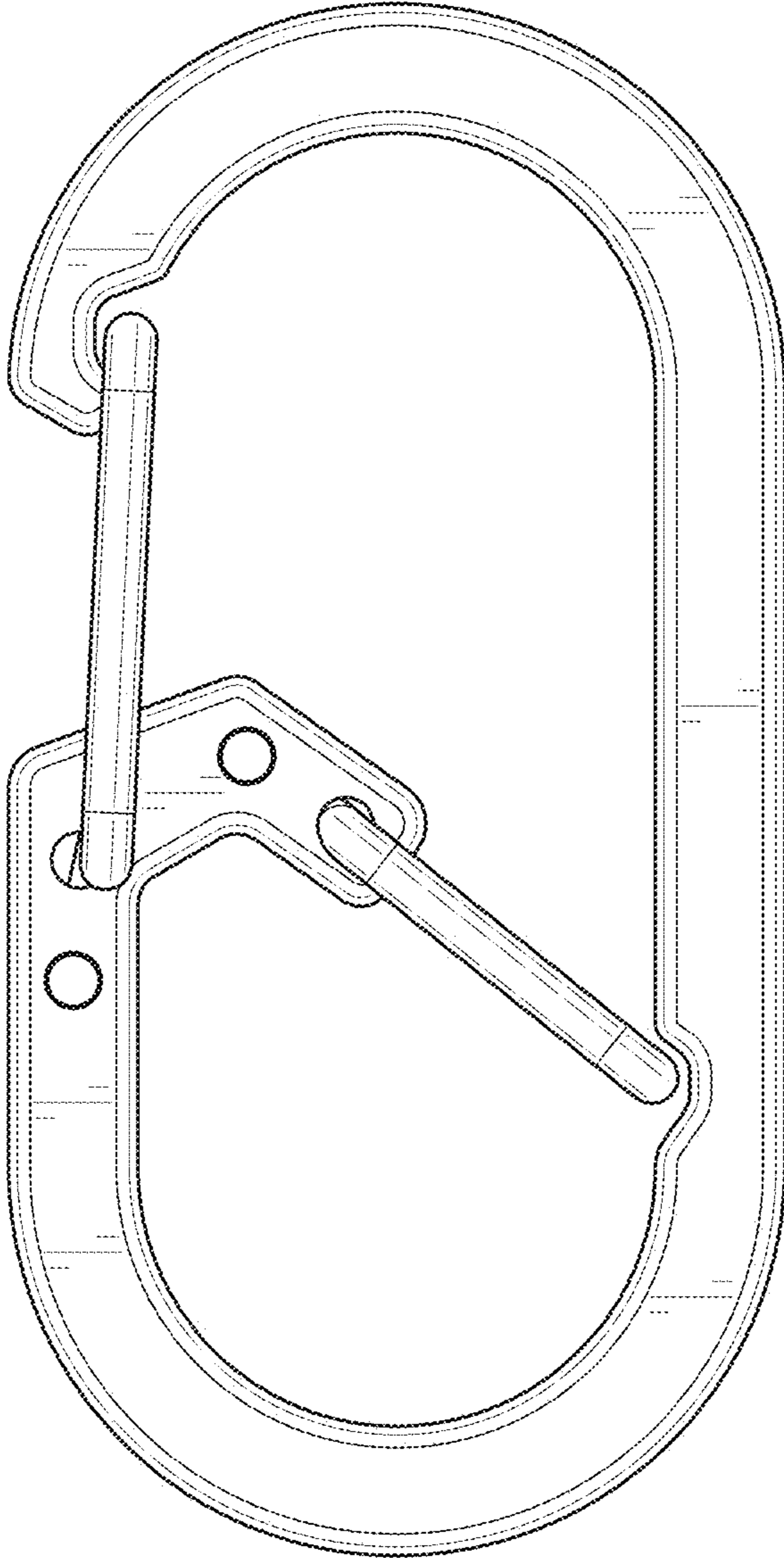


FIG. 4

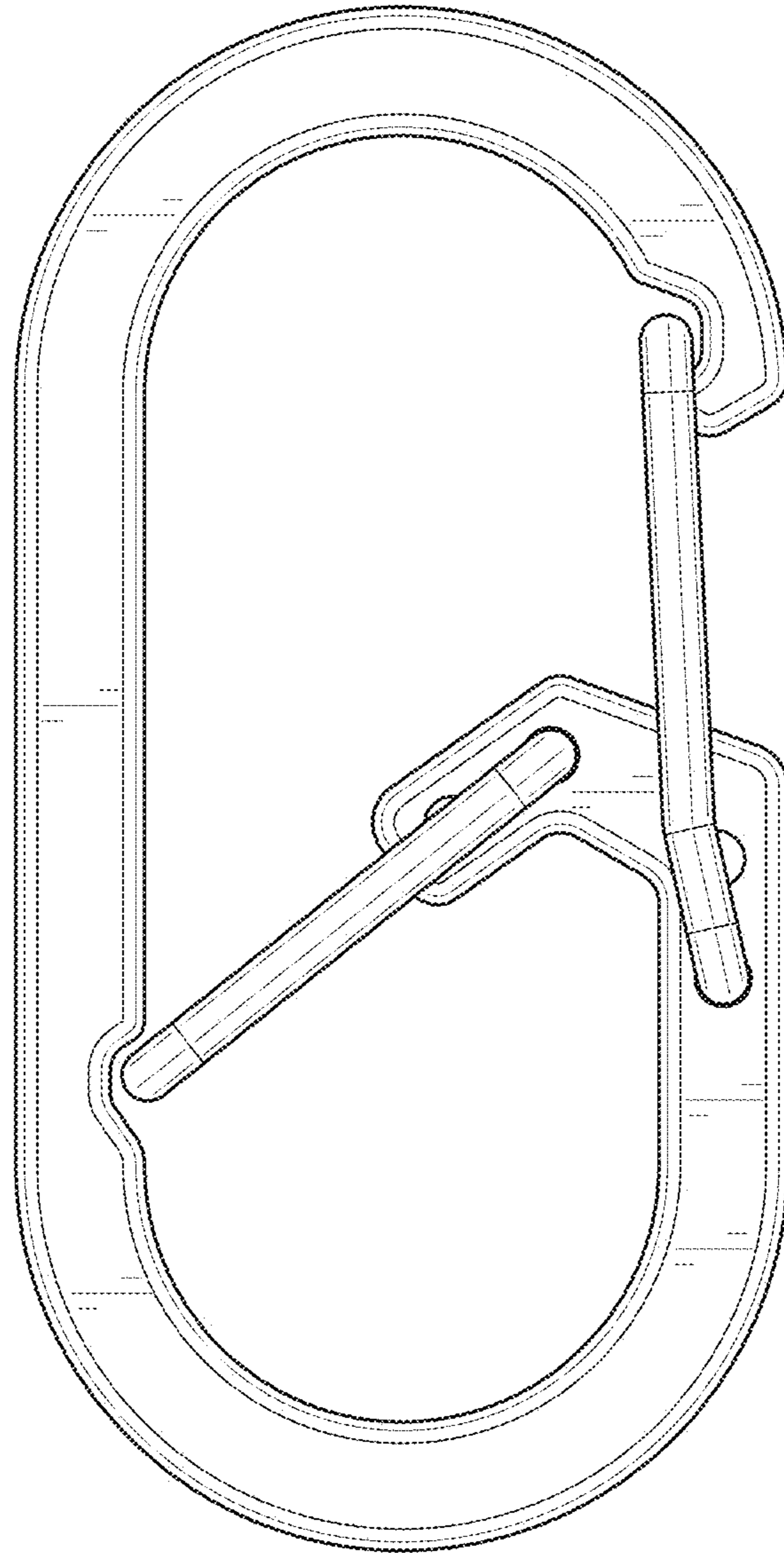


FIG. 5

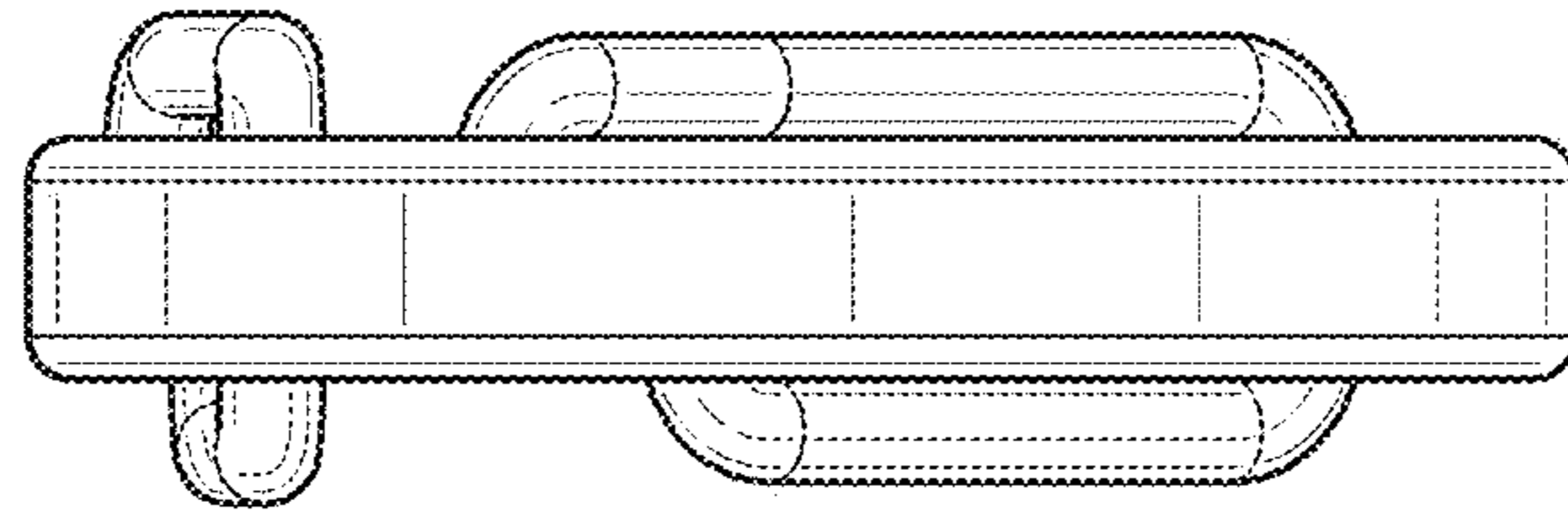


FIG. 6

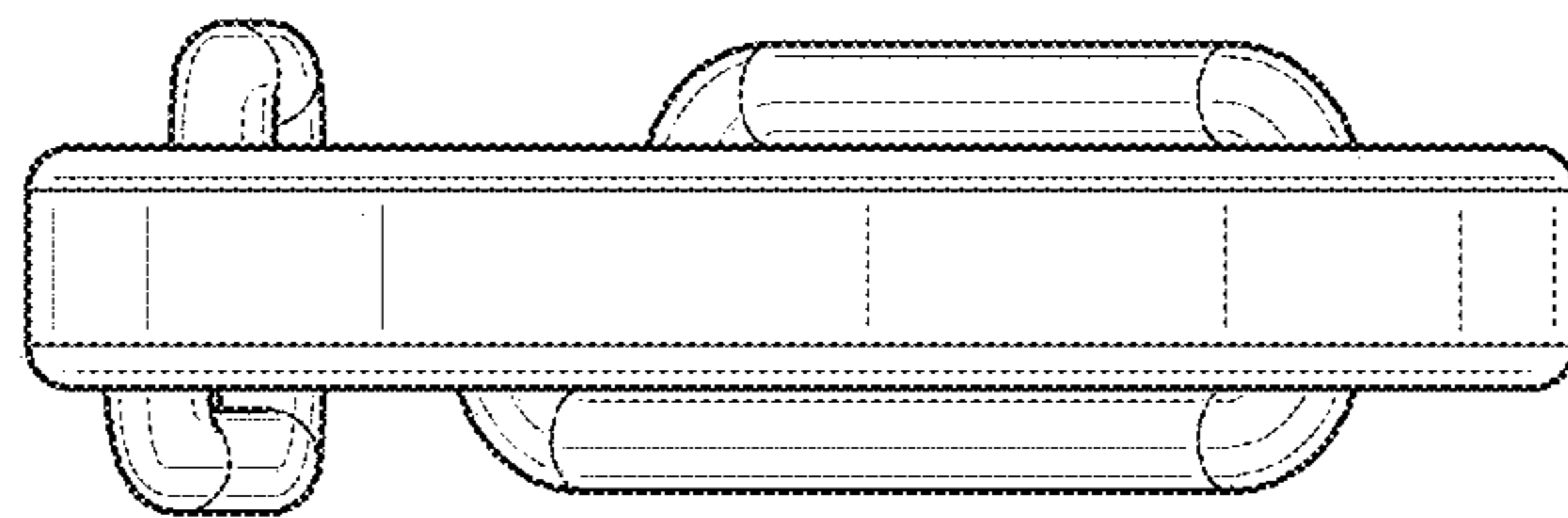


FIG. 7