



US00D934660S

(12) **United States Design Patent** (10) **Patent No.:** **US D934,660 S**
Joo et al. (45) **Date of Patent:** **** Nov. 2, 2021**

(54) **BASKET BODY FOR A WALL WITH BUILT-IN HOME APPLIANCES**

(71) Applicant: **LG ELECTRONICS INC.**, Seoul (KR)

(72) Inventors: **Junghyun Joo**, Seoul (KR); **Junghan Ryu**, Seoul (KR); **Yunjoo Kim**, Seoul (KR); **Taeho Kim**, Seoul (KR); **Kisang Jung**, Seoul (KR); **Hwasuk Shim**, Seoul (KR); **Youngkyoung Kim**, Seoul (KR); **Jipyo Hong**, Seoul (KR); **Chulmin Lim**, Seoul (KR); **Bumsang Lee**, Seoul (KR); **Mijin Jung**, Seoul (KR); **Jaemyo Shim**, Seoul (KR); **Junki Kim**, Seoul (KR)

(73) Assignee: **LG ELECTRONICS INC.**, Seoul (KR)

(**) Term: **15 Years**

(21) Appl. No.: **29/732,879**

(22) Filed: **Apr. 28, 2020**

(30) **Foreign Application Priority Data**

Nov. 21, 2019 (KR) 30-2019-0055775

(51) **LOC (13) Cl.** **08-08**

(52) **U.S. Cl.**
USPC **D8/349**; D8/327

(58) **Field of Classification Search**

USPC D8/327, 349, 354, 366, 382; D23/259, D23/262, 267

CPC E05D 1/04; E05D 11/1014; E05D 11/00; E05D 15/242; E05B 73/007; E05B 65/50; E05C 17/365; E05C 17/36; E05C 17/025; B21D 53/40; F16M 13/02

See application file for complete search history.

(56) **References Cited**
U.S. PATENT DOCUMENTS

3,107,390 A * 10/1963 Shelton E06B 11/04 16/224

5,265,954 A * 11/1993 Keil E05D 11/00 16/358

(Continued)

Primary Examiner — Michael C Stout
Assistant Examiner — Benjamin M Weeks
 (74) *Attorney, Agent, or Firm* — Birch, Stewart, Kolasch & Birch, LLP

(57) **CLAIM**
The ornamental design for a basket body for a wall with built-in home appliances, as shown and described.

DESCRIPTION

FIG. 1 is a front perspective view of the basket body for a wall with built-in home appliances showing our new design; FIG. 2 is a front view thereof; FIG. 3 is a rear view thereof; FIG. 4 is a left side view thereof; FIG. 5 is a right side view thereof; FIG. 6 is a top plan view thereof; FIG. 7 is a bottom plan view thereof; FIG. 8 is a reference view showing the state of use that the claimed design is combined with the other basket body for a wall with built-in home appliances; FIG. 9 is a reference view showing the state of use that the claimed design is combined with the other basket body for a wall with built-in home appliances and attached the door for wall to the front; FIG. 10 is a reference view showing the state of use that the hinge in internal one side has been protruded; FIG. 11 is a reference view showing the state of use that the hinge in internal one side has been protruded and then the vertical rail is moving up by rotating; FIG. 12 is a front perspective view in a condition that the hinge in internal one side has been protruded and the vertical rail has been moved up by rotating;

(Continued)

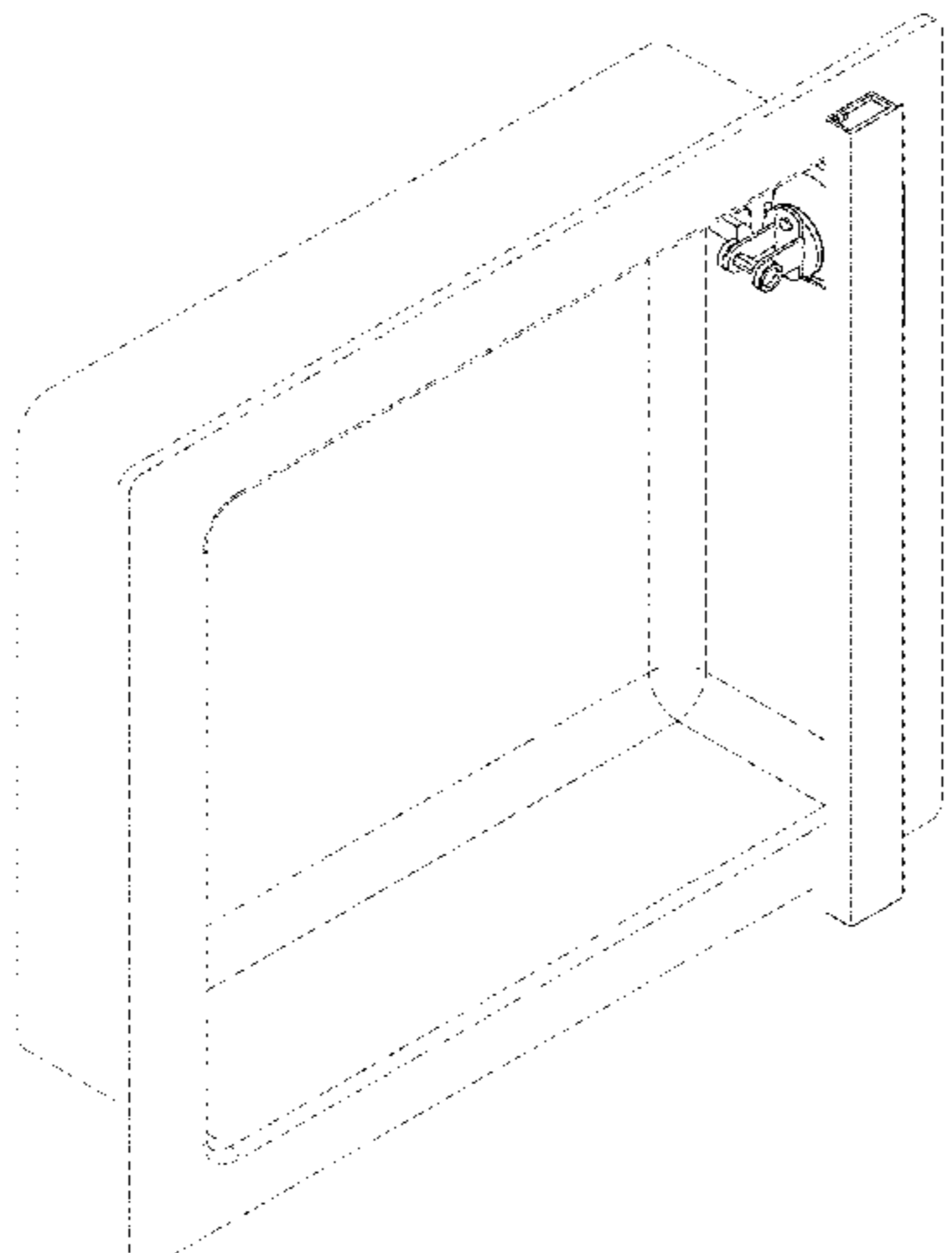


FIG. 13 is a front view of FIG. 12;
 FIG. 14 is a rear view of FIG. 12;
 FIG. 15 is a left side view of FIG. 12;
 FIG. 16 is a right side view of FIG. 12;
 FIG. 17 is a top plan view of FIG. 12;
 FIG. 18 is a bottom plan view of FIG. 12;
 FIG. 19 is a reference view showing the state of use that the claimed design, whose hinges in internal one side has been protruded by rotating and then the vertical rail has been moved up, is combined with the other basket body for a wall with built-in home appliances; and,
 FIG. 20 is a reference view showing the state of use that the claimed design, whose hinges in internal one side has been protruded by rotating and then the vertical rail has been moved up, is combined with the other basket body for a wall with built-in home appliances and attached the door for wall to the front.
 The broken lines depict portions of the basket body for a wall with built-in home appliances that form no part of the claimed design. The portions of FIGS. 8, 9, 19 and 20 drawn in broken lines show environmental structure only and form no part of the claimed design.

1 Claim, 20 Drawing Sheets

(56)

References Cited

U.S. PATENT DOCUMENTS

6,371,581	B1 *	4/2002	Ring	G07F 9/10 312/138.1
6,877,695	B2 *	4/2005	Eveker	B64C 1/14 244/129.5
D508,917	S *	8/2005	Wills	D14/452
D557,104	S *	12/2007	Forgeon	D8/327
7,814,621	B1 *	10/2010	Radke	E05D 11/1014 16/335
D637,060	S *	5/2011	Mitchell	D8/323
9,222,293	B2 *	12/2015	Jenkinson	E05D 7/0027
D761,076	S *	7/2016	Schweiss	D8/323
D761,078	S *	7/2016	Schweiss	D8/323
9,383,135	B2 *	7/2016	Park	F25D 25/028
9,816,303	B2 *	11/2017	Lee	E05D 5/0276
D814,903	S *	4/2018	Schweiss	D8/323
10,711,496	B2 *	7/2020	He	E05D 3/12
10,830,525	B2 *	11/2020	Lottinville	E05D 5/128

* cited by examiner

FIG. 1

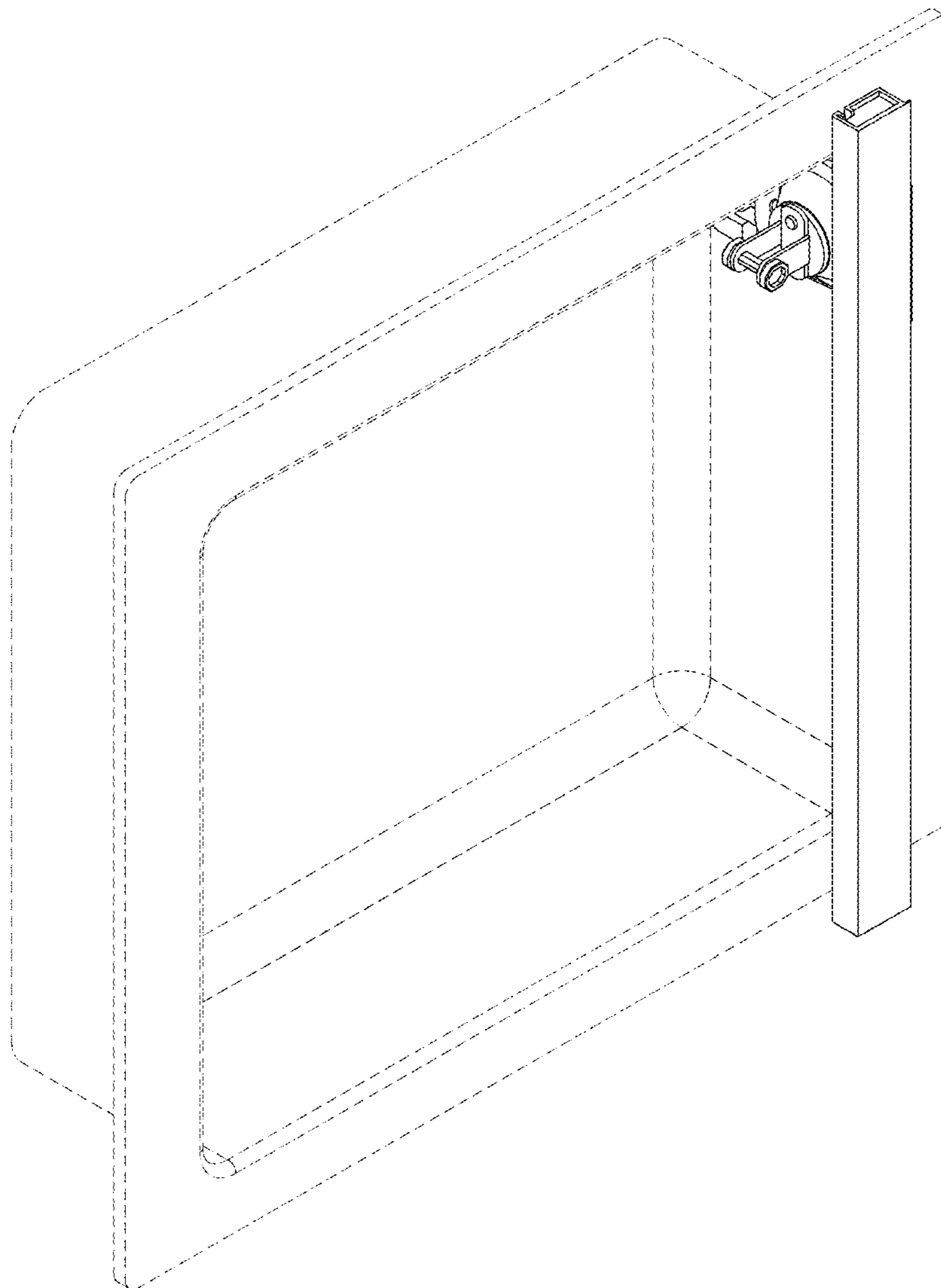


FIG. 2

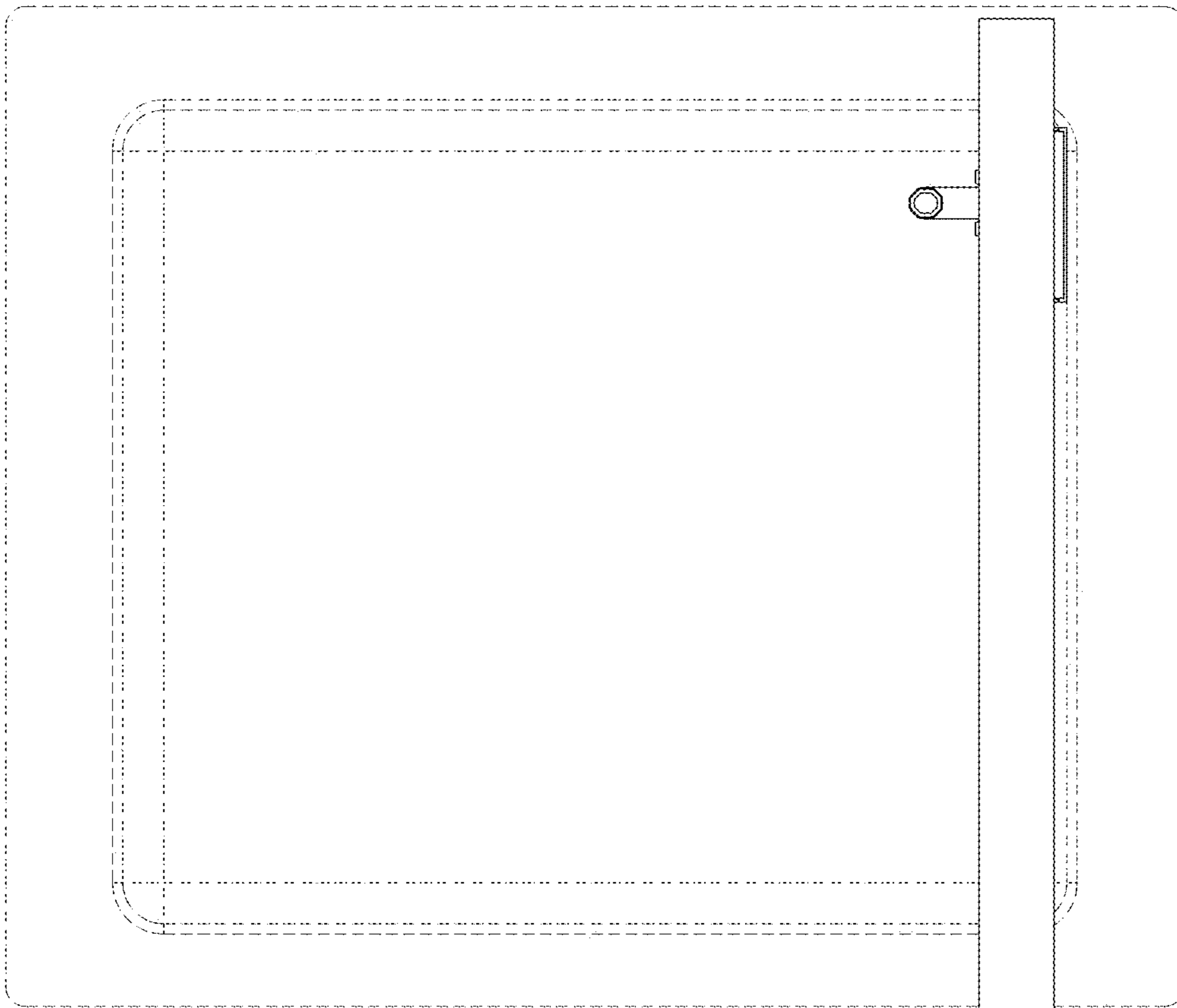


FIG. 3

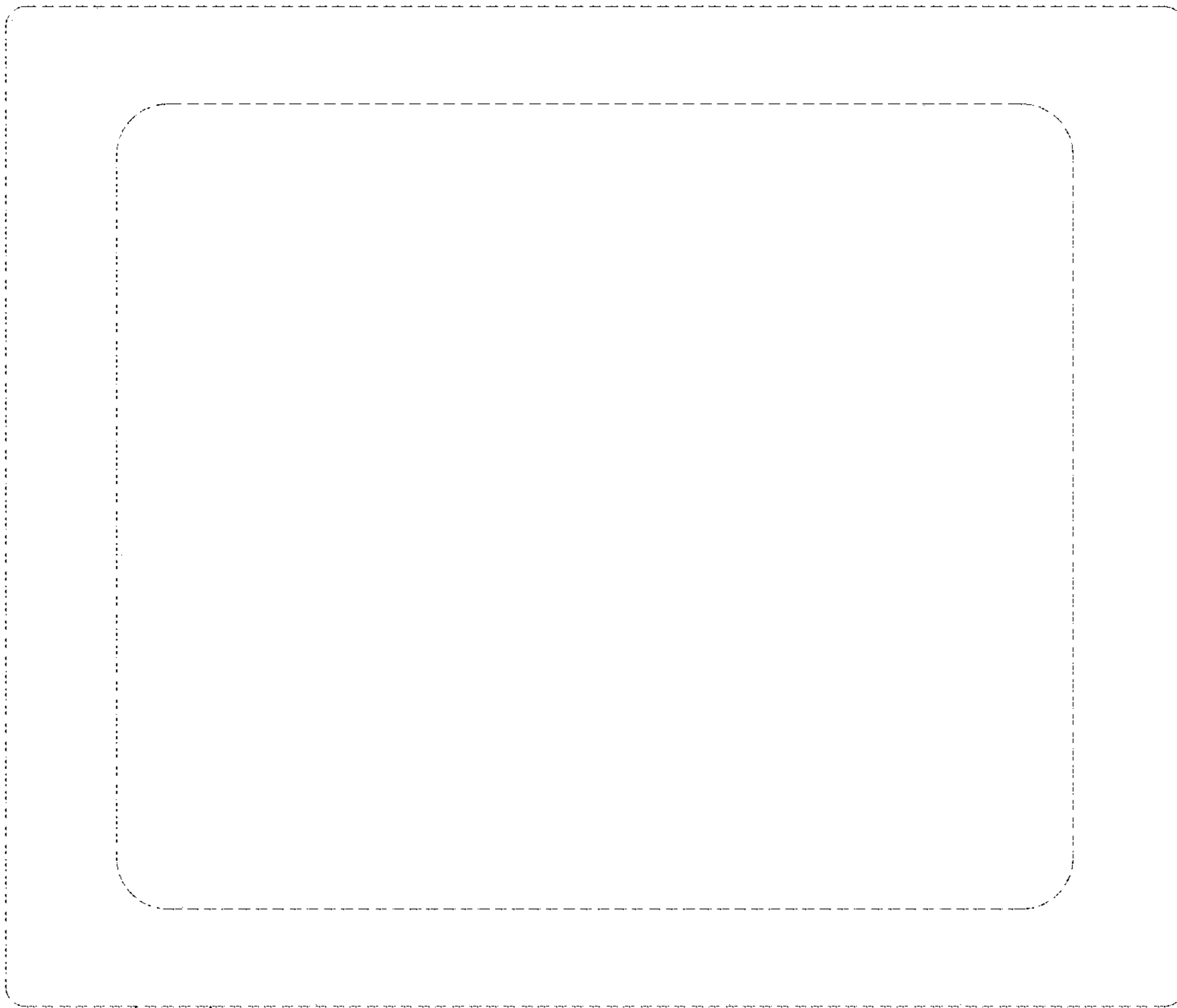


FIG. 4

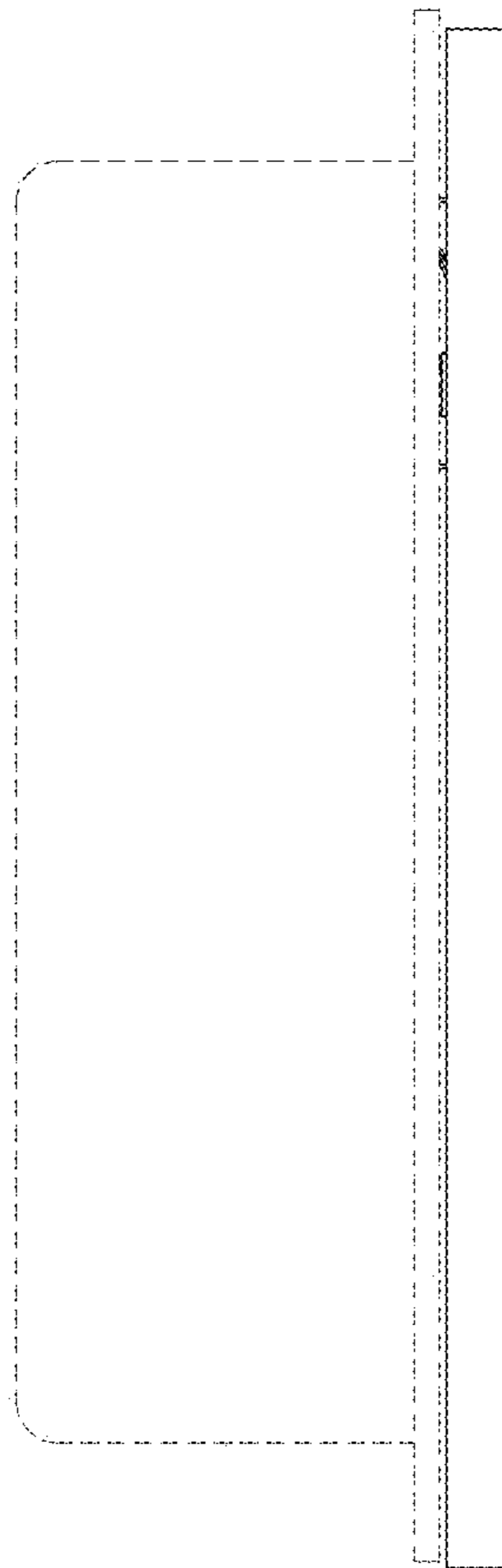


FIG. 5

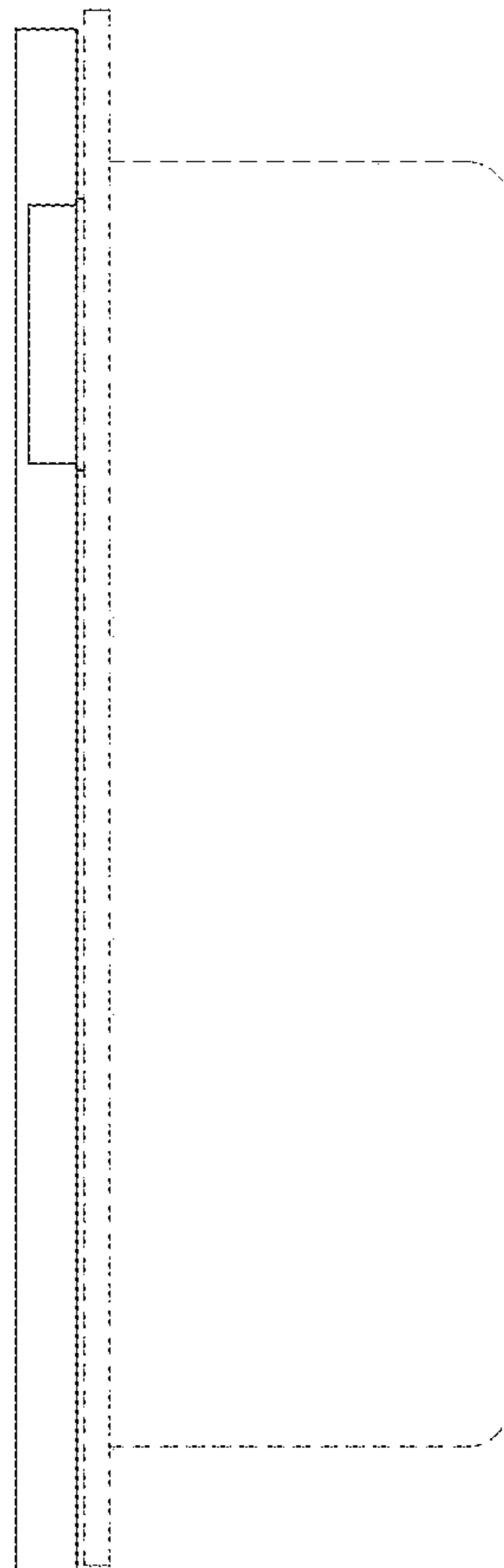


FIG. 6

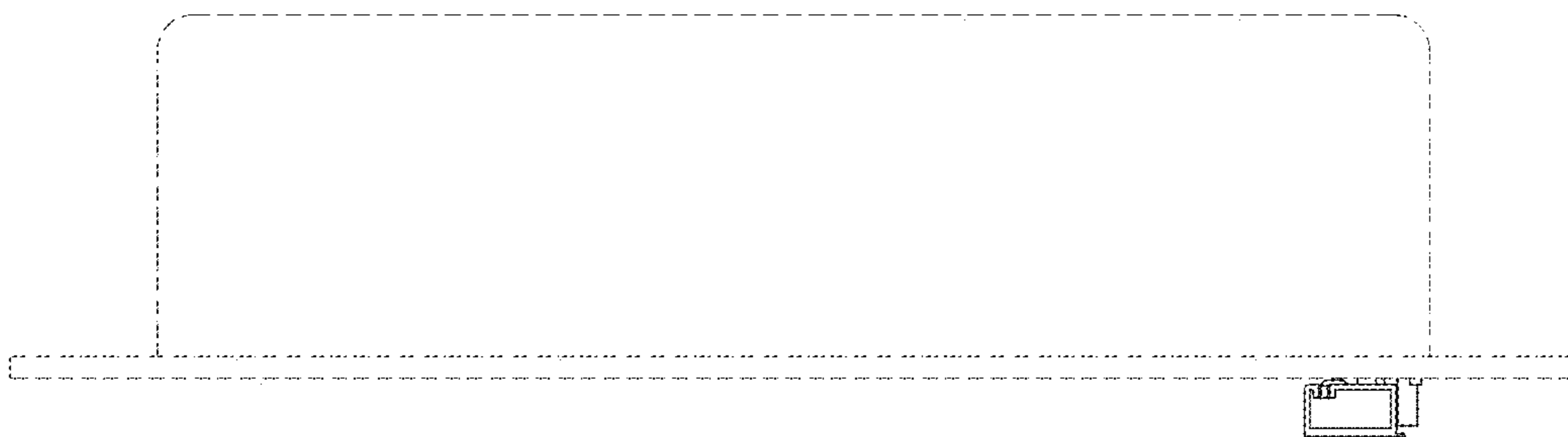


FIG. 7

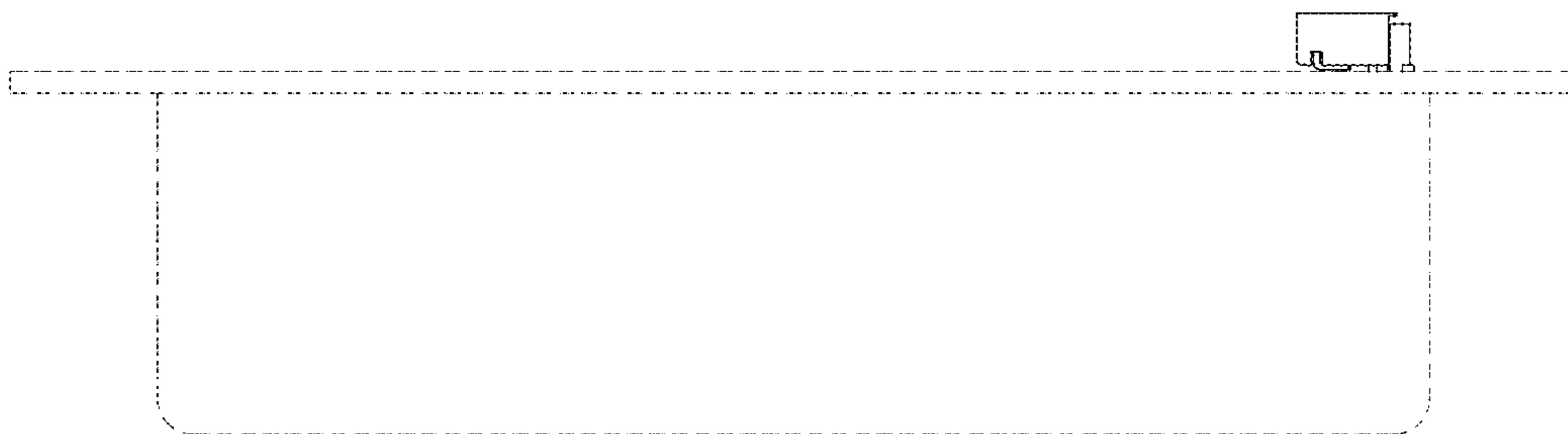


FIG. 8

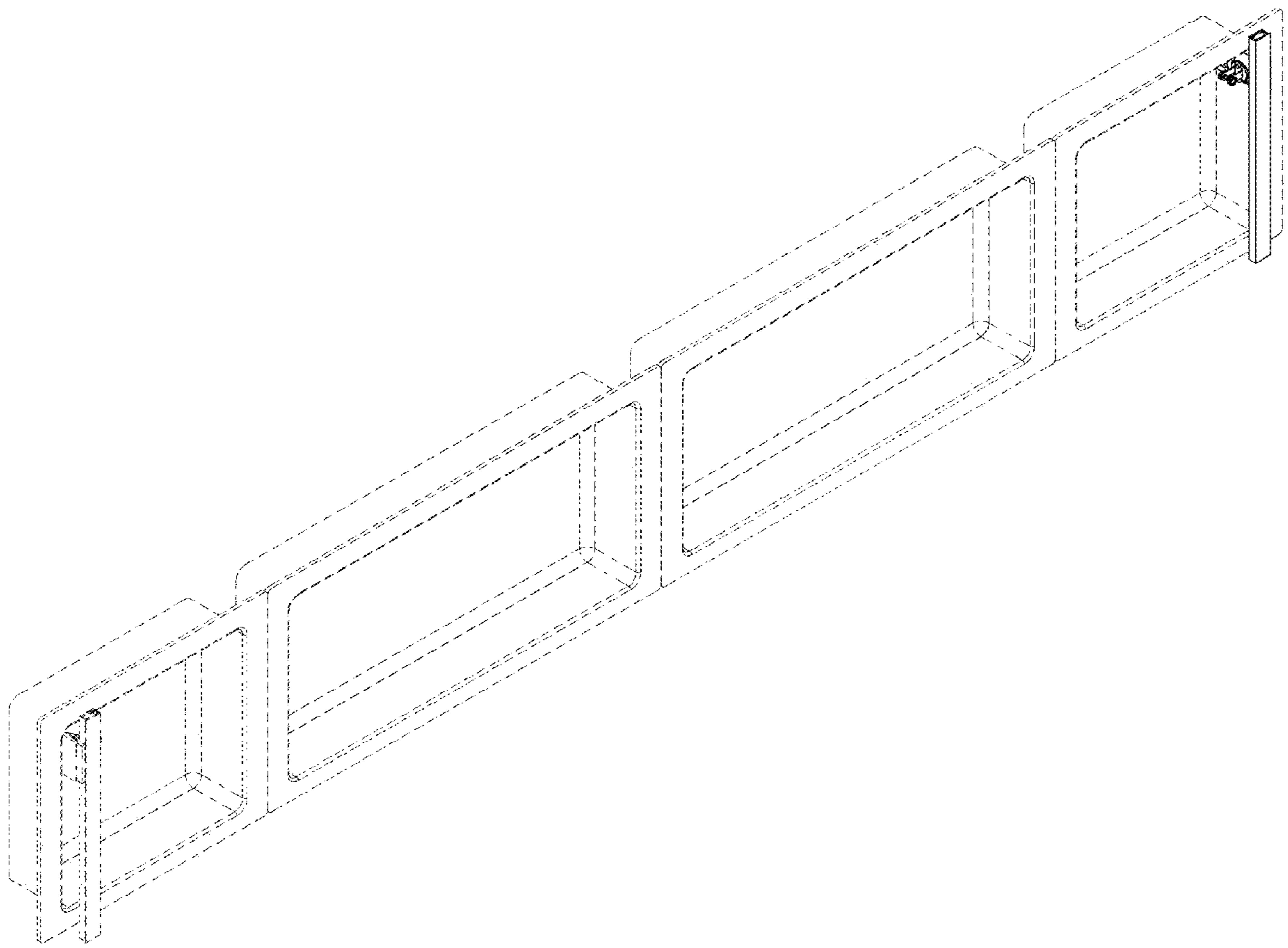


FIG. 9

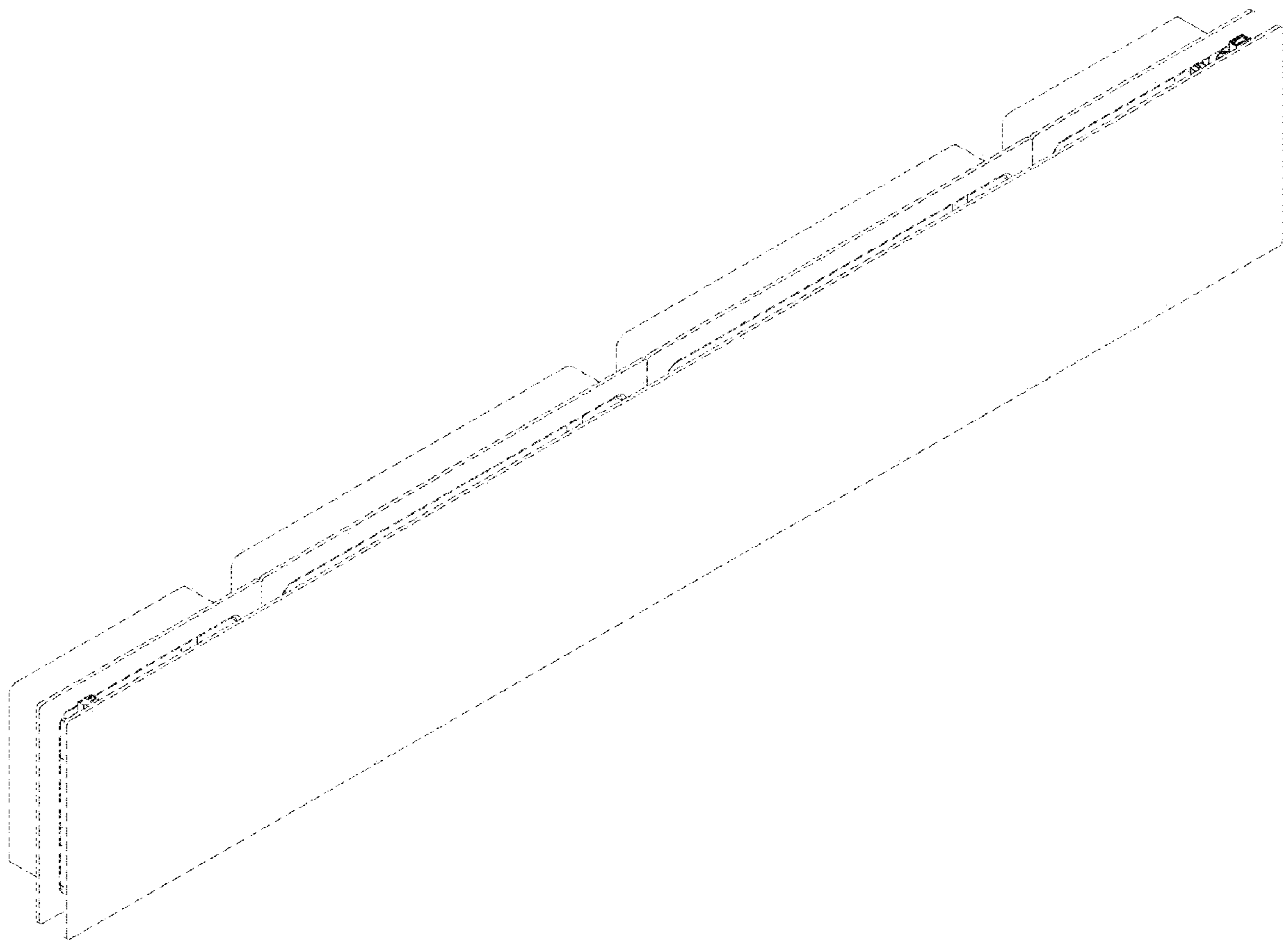


FIG. 10

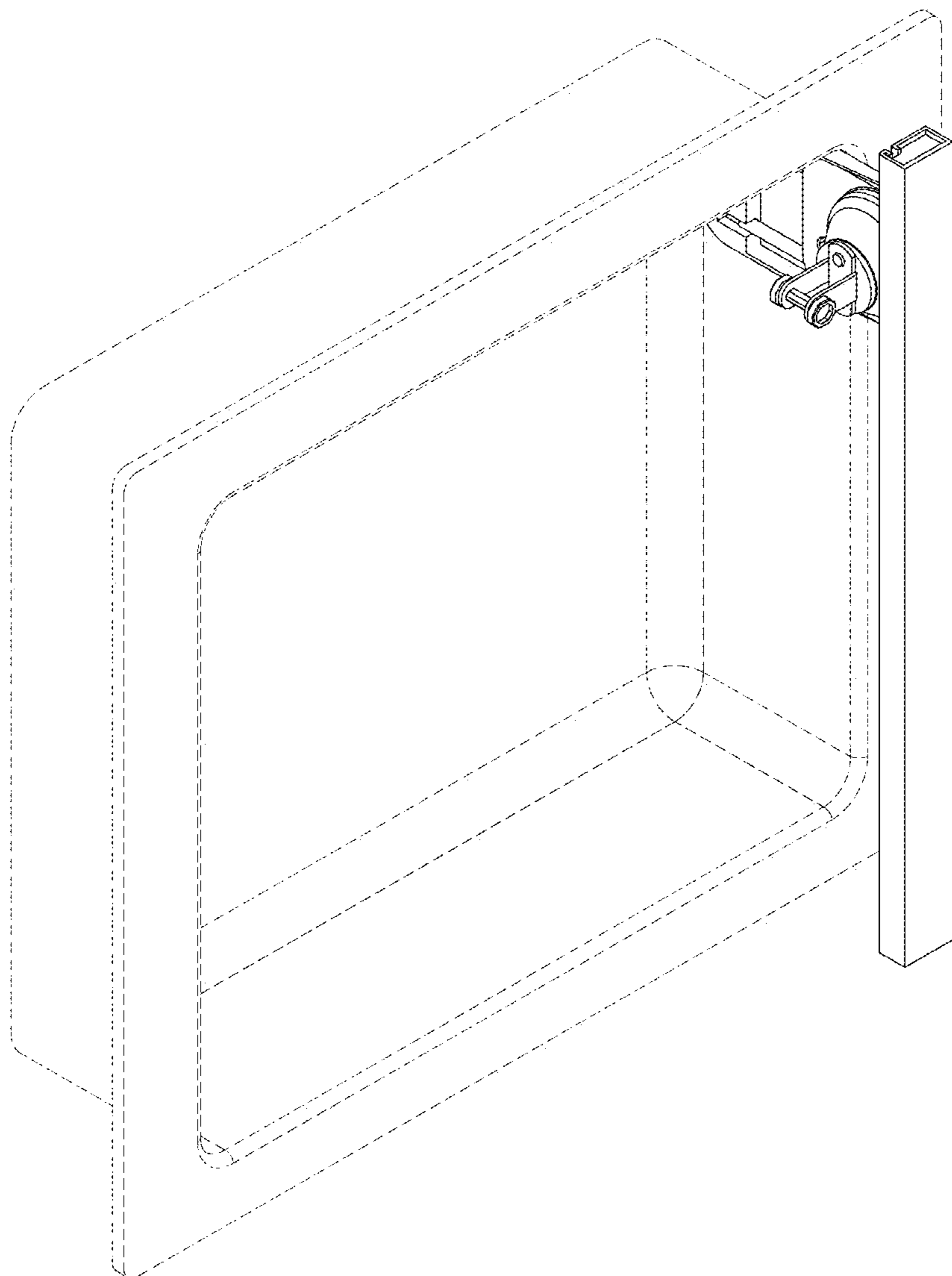


FIG. 11

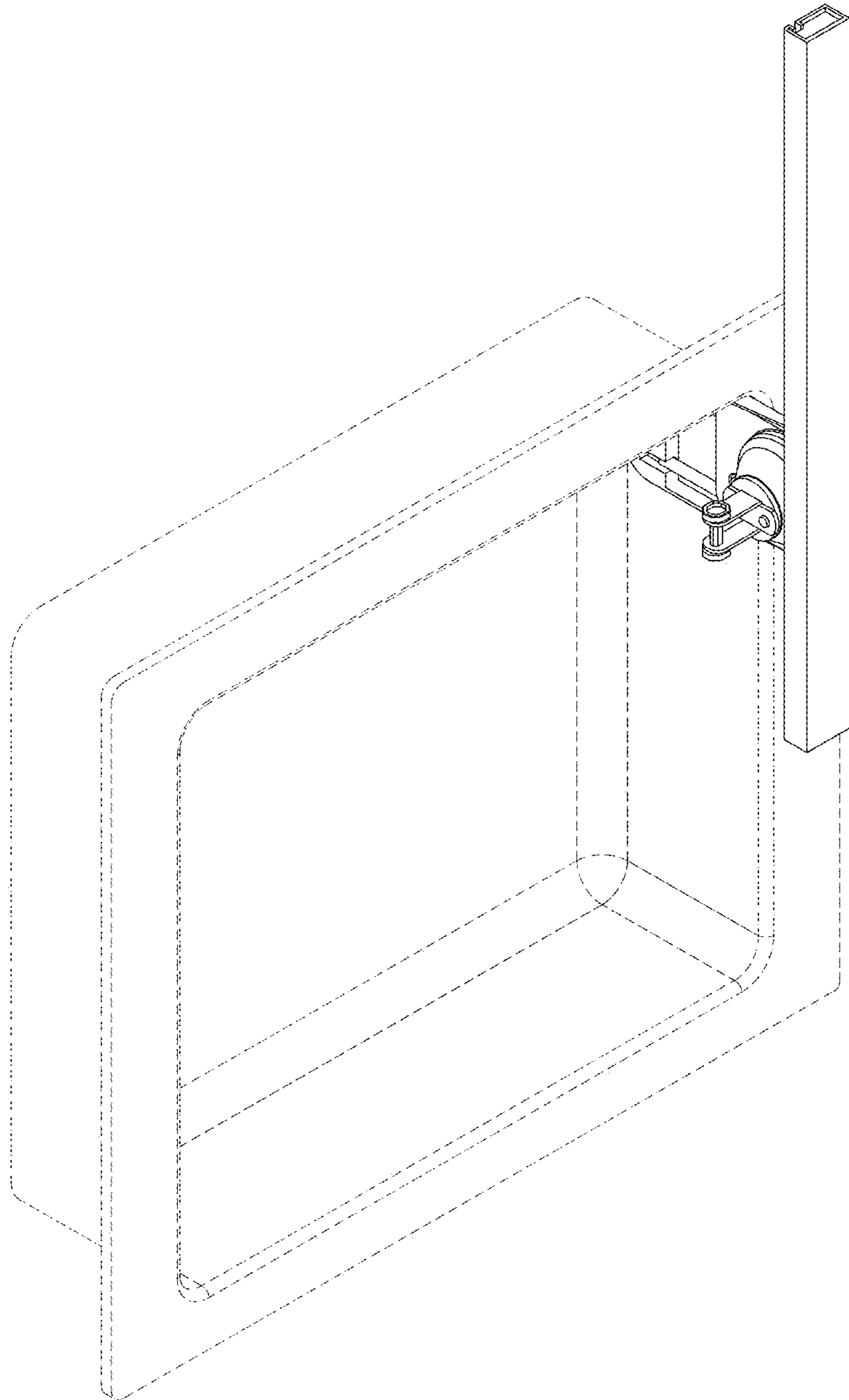


FIG. 12

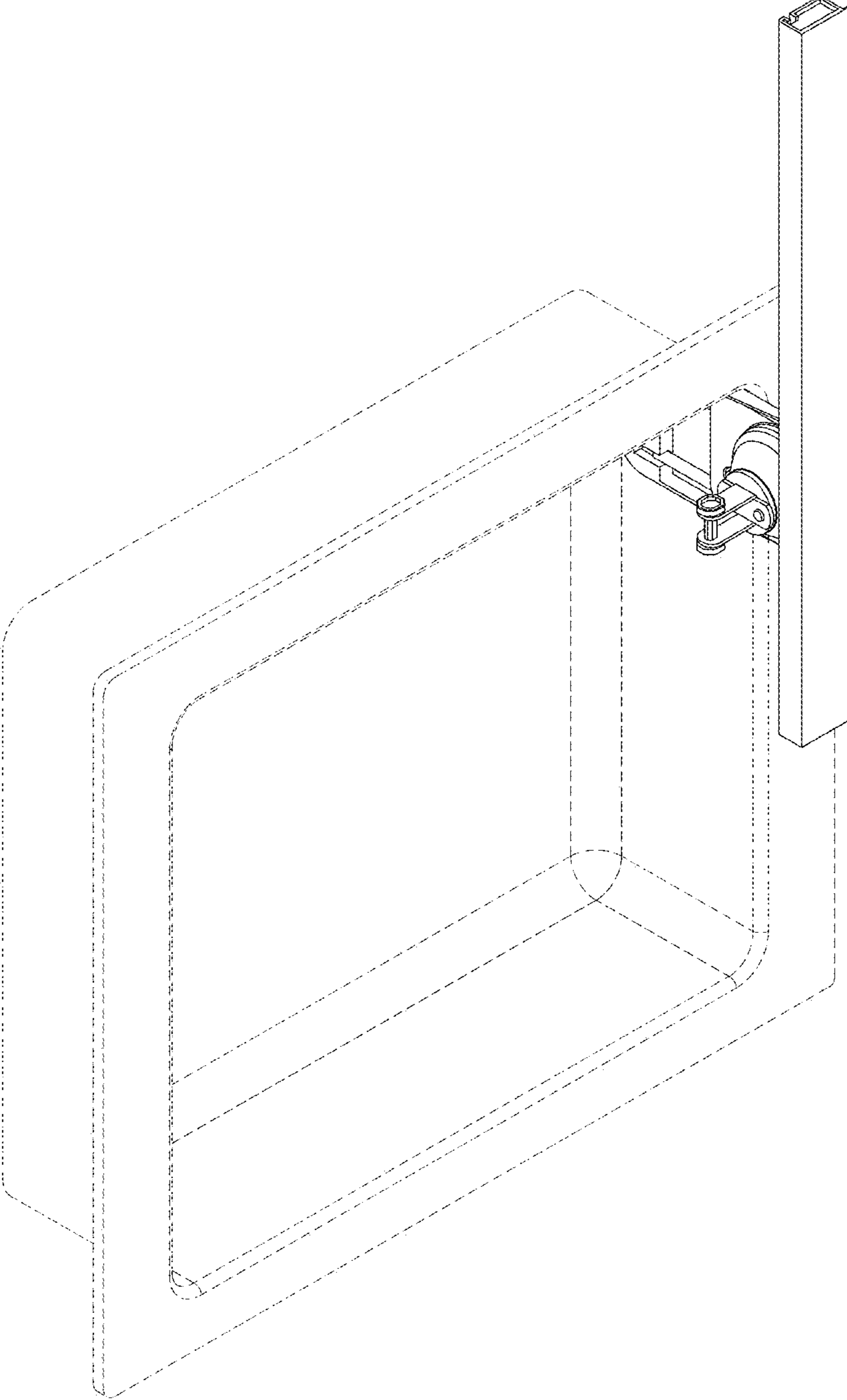


FIG. 13

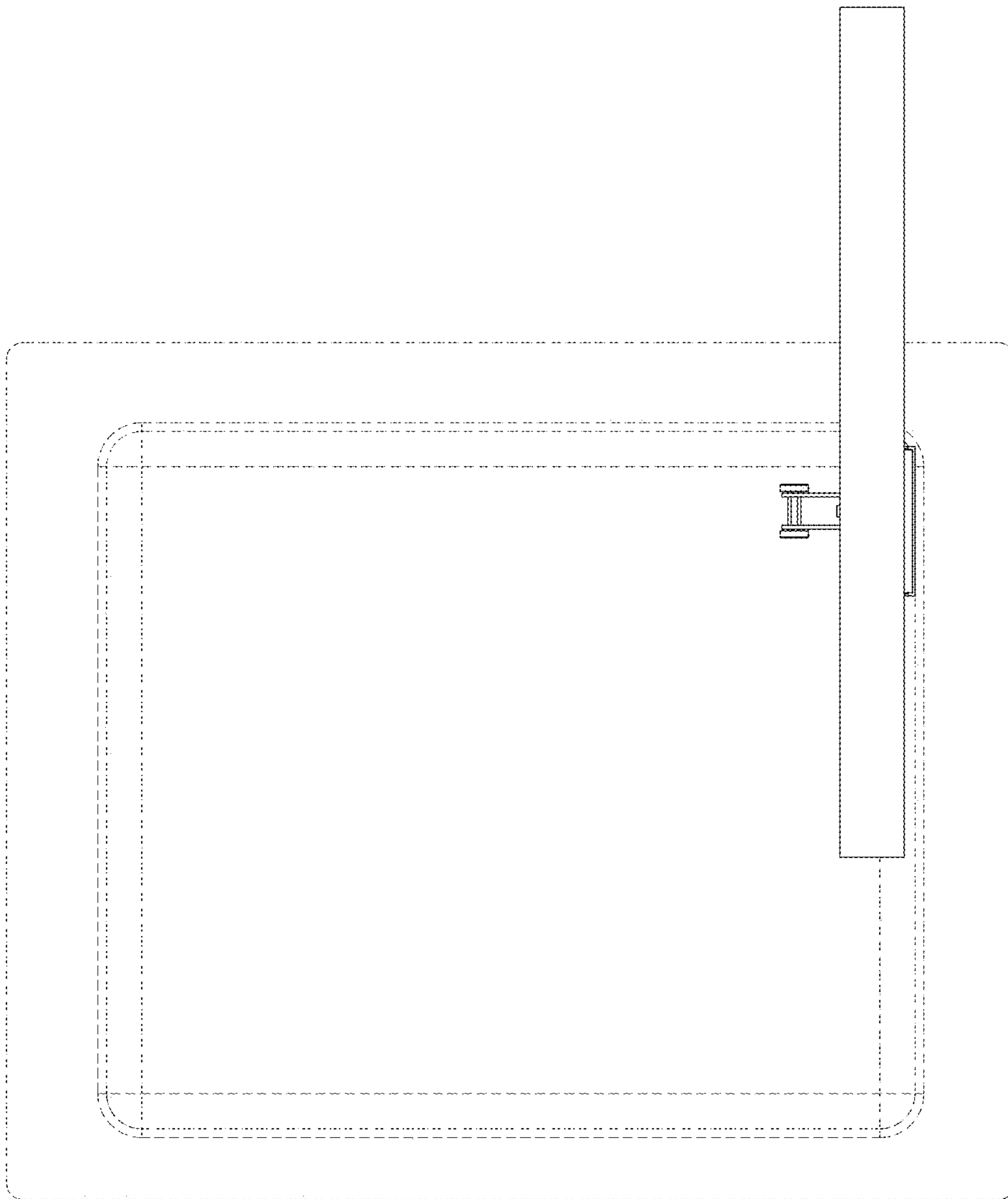


FIG. 14

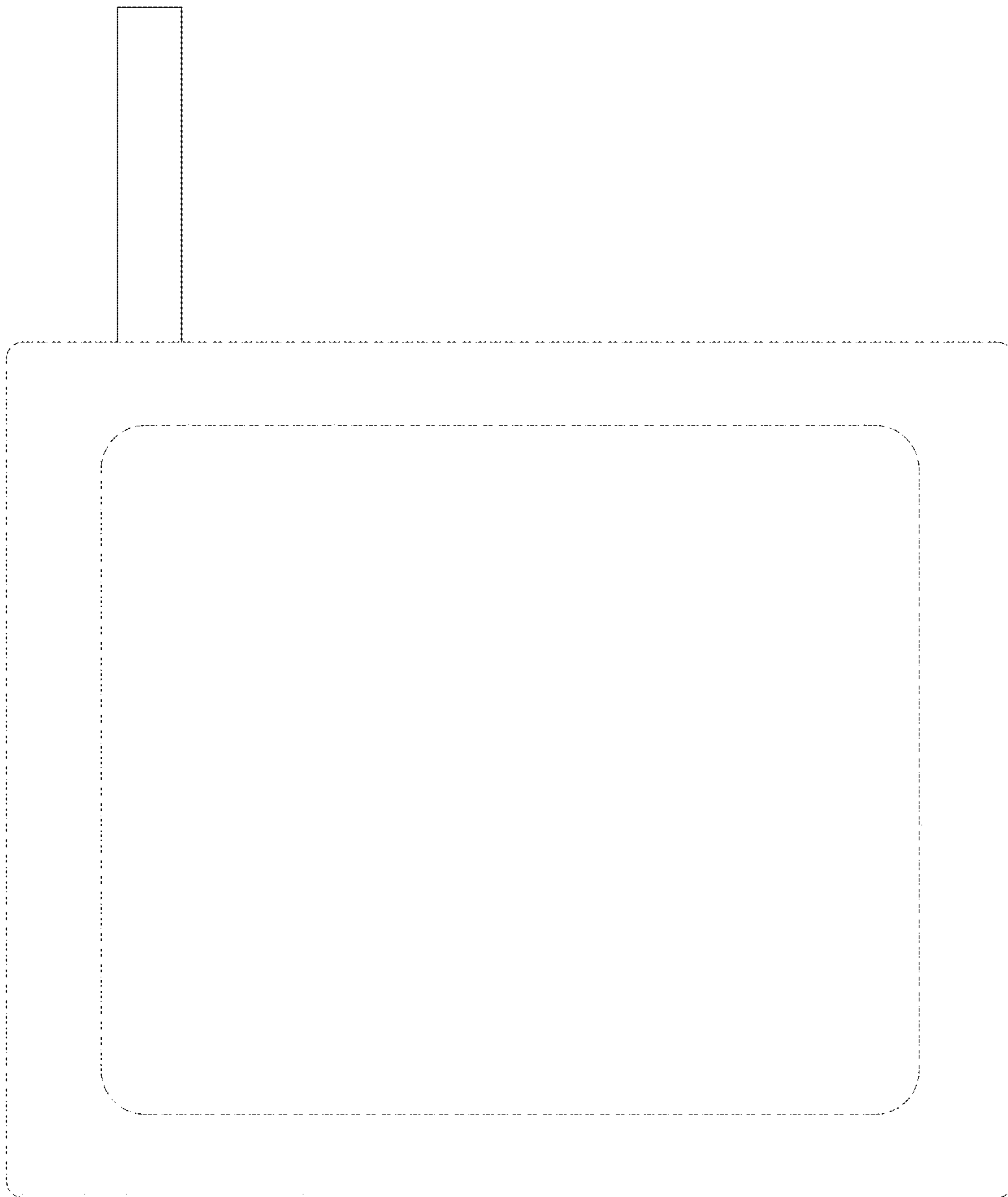


FIG. 15

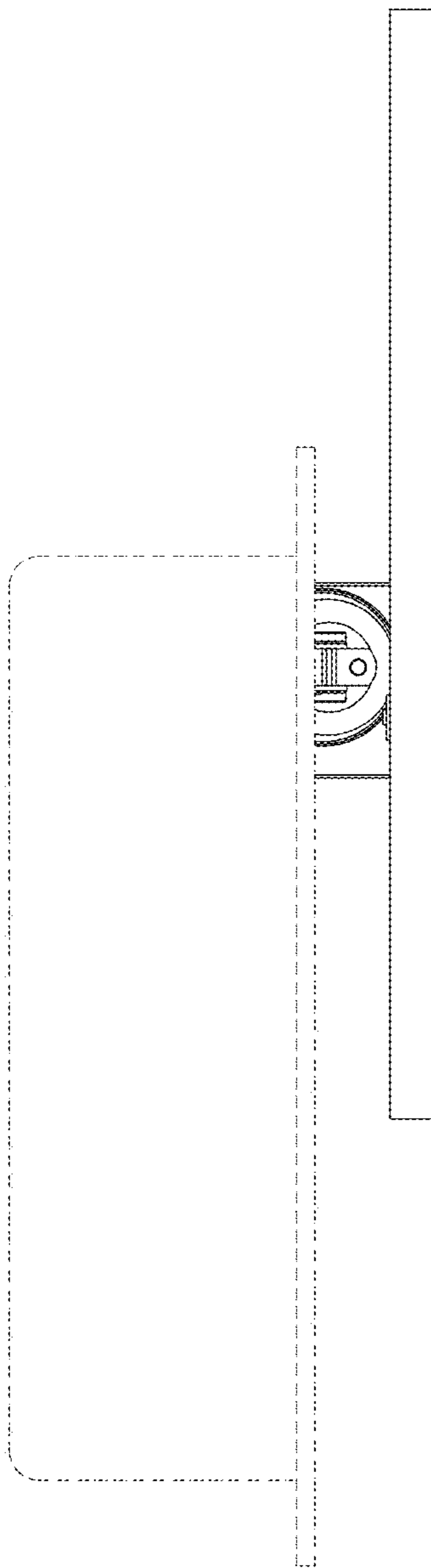


FIG. 16

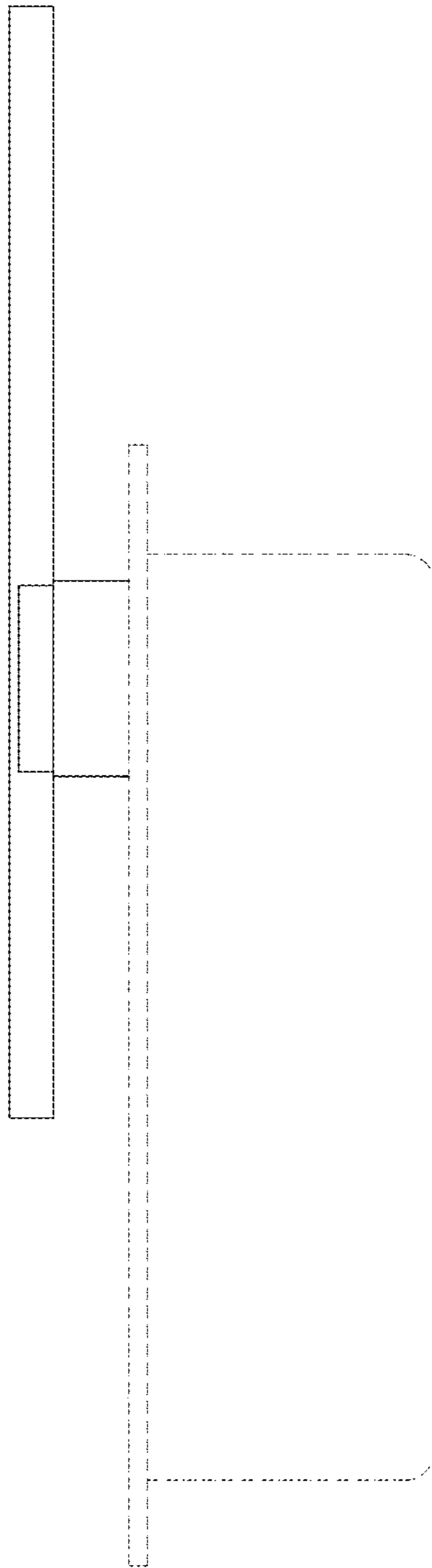


FIG. 17

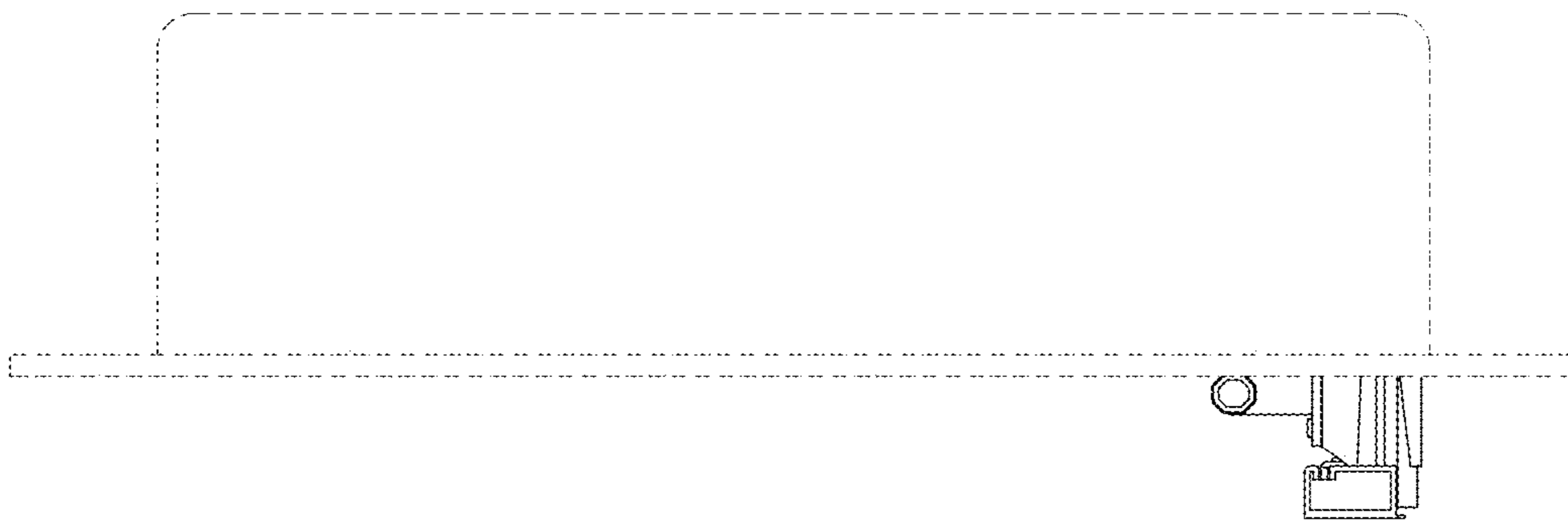


FIG. 18

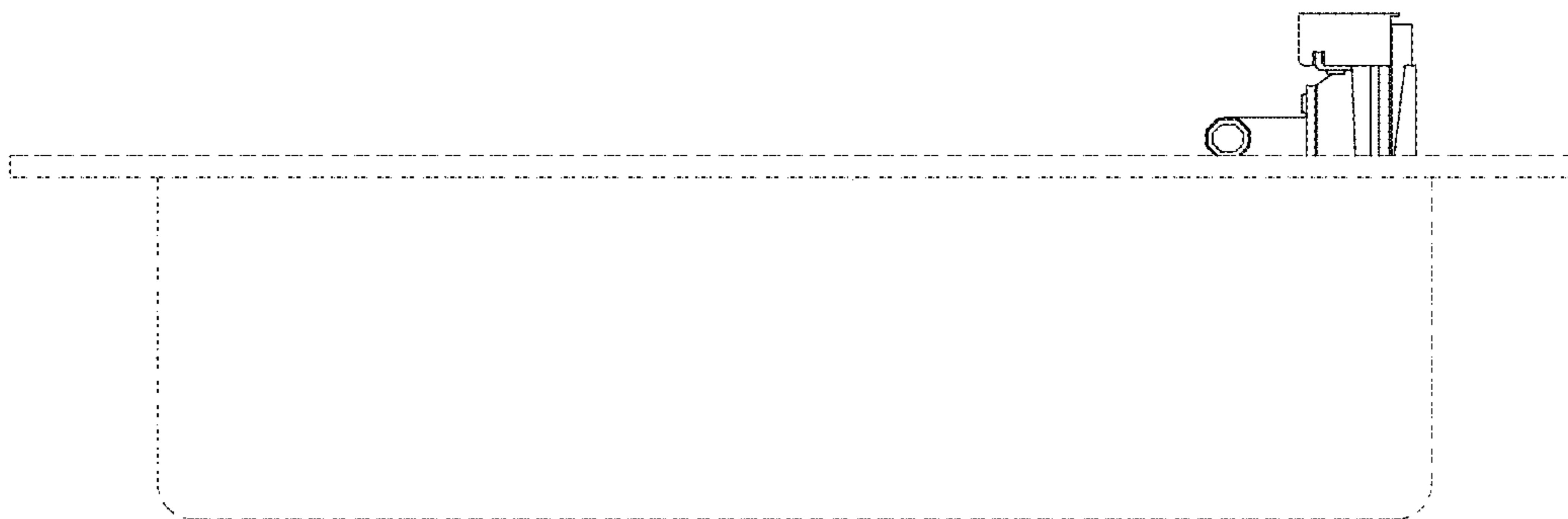


FIG. 19

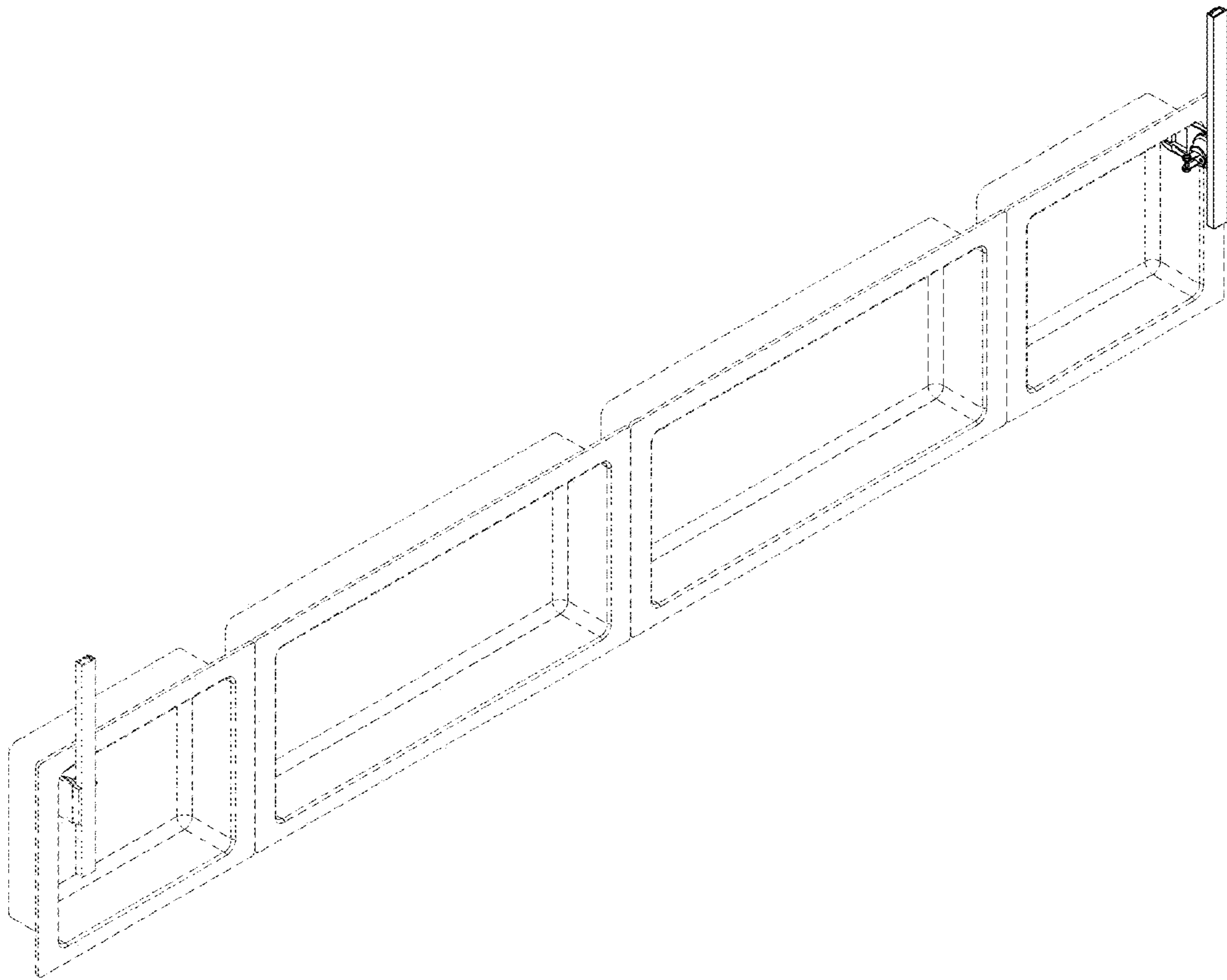


FIG. 20

