



US00D934659S

(12) **United States Design Patent** (10) **Patent No.:** **US D934,659 S**
Jung et al. (45) **Date of Patent:** **** Nov. 2, 2021**

(54) **CONNECTING MEMBER FOR AN INDOOR WALL WITH BUILT-IN HOME APPLIANCES**

(71) Applicant: **LG ELECTRONICS INC.**, Seoul (KR)

(72) Inventors: **Kisang Jung**, Seoul (KR); **Yunjoo Kim**, Seoul (KR); **Juyoung Choi**, Seoul (KR); **Hwasuk Shim**, Seoul (KR); **Jaemyo Shim**, Seoul (KR); **Hyunki Kim**, Seoul (KR)

(73) Assignee: **LG ELECTRONICS INC.**, Seoul (KR)

(**) Term: **15 Years**

(21) Appl. No.: **29/732,693**

(22) Filed: **Apr. 27, 2020**

(30) **Foreign Application Priority Data**

Oct. 31, 2019 (KR) 30-2019-0051861

(51) **LOC (13) Cl.** **08-08**

(52) **U.S. Cl.**
USPC **D8/349**

(58) **Field of Classification Search**
USPC D8/349, 354, 355, 356, 363, 366, 373; D25/199
CPC E04F 11/166; E04F 13/26; E04F 13/0826; E04F 15/02044; E04F 15/048; E04F 15/02038; E04F 15/02005; E04F 19/02; E04F 19/066; E04F 19/061; E04F 2015/02077; E04F 2015/02094; E04F 2201/0547; E04B 1/40; E04B 2001/405
See application file for complete search history.

(56) **References Cited**

U.S. PATENT DOCUMENTS

D448,095 S * 9/2001 Merideth D25/199
D660,133 S * 5/2012 Yoder D8/354

D732,929 S * 6/2015 Harrow D8/354
D732,930 S * 6/2015 Harrow D8/354
D746,122 S * 12/2015 Stoops D8/349
D815,313 S * 4/2018 Ralph D25/199
D824,243 S * 7/2018 Ruhnke D8/356
D839,078 S * 1/2019 Stahl D8/349
D884,465 S * 5/2020 Chen D8/382
D909,422 S * 2/2021 Carter D15/17
2009/0113827 A1 * 5/2009 Stone E04C 3/07 52/846

(Continued)

Primary Examiner — Michael C Stout

Assistant Examiner — Benjamin M Weeks

(74) *Attorney, Agent, or Firm* — Birch, Stewart, Kolasch & Birch, LLP

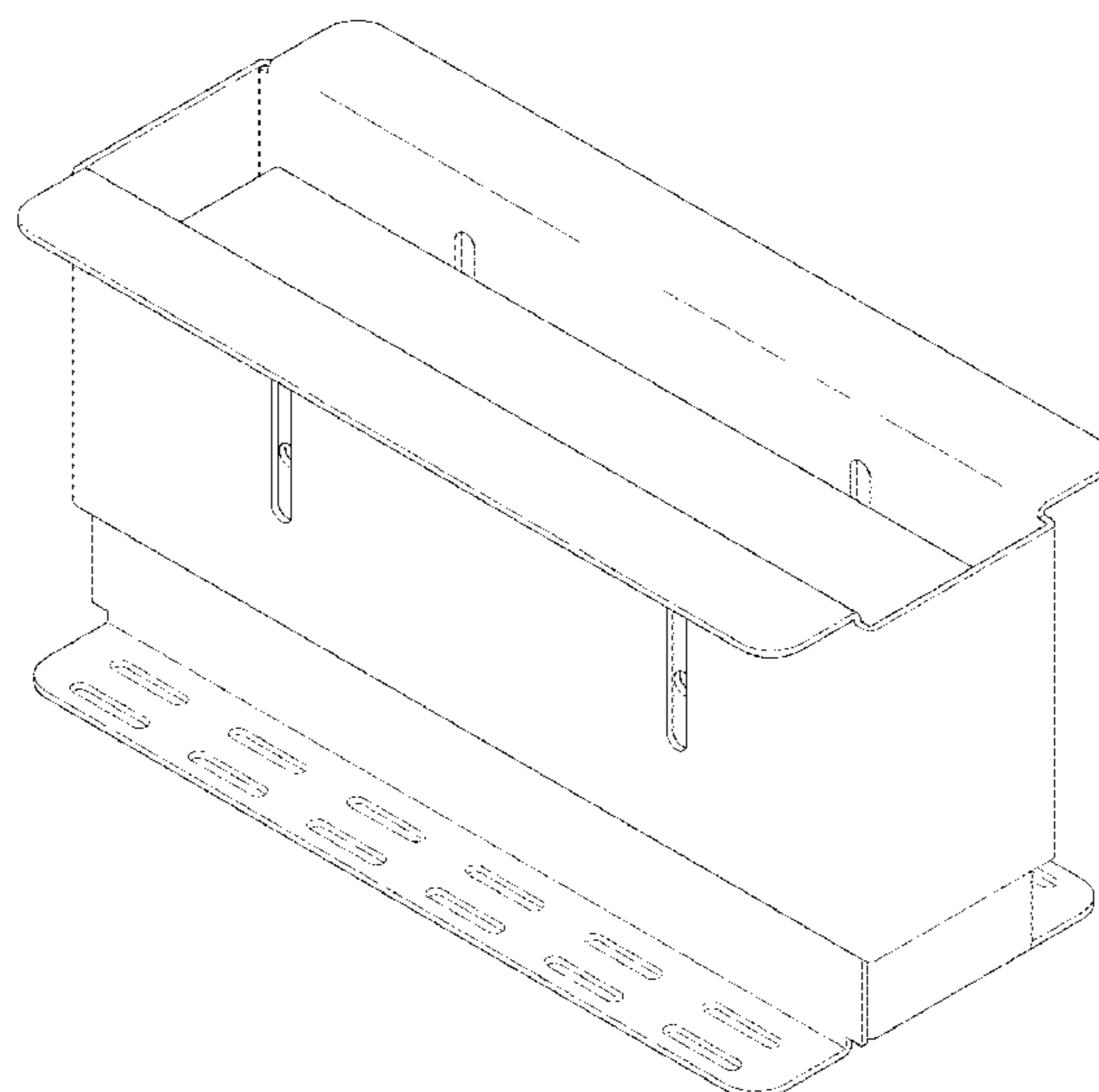
(57) **CLAIM**

The ornamental design for a connecting member for an indoor wall with built-in home appliances, as shown and described.

DESCRIPTION

FIG. 1 is a front perspective view of a connecting member for an indoor wall with built-in home appliances showing our new design;
FIG. 2 is a front view thereof;
FIG. 3 is a rear view thereof;
FIG. 4 is a left side view thereof;
FIG. 5 is a right side view thereof;
FIG. 6 is a top plan view thereof;
FIG. 7 is a bottom plan view thereof; and,
FIG. 8 is a reference view showing the state of use that the claimed design can be adjusted the height of the upper part to the height of the ceiling when attaching to the upper part of the indoor wall.
The broken lines in the figures depict unclaimed environment only and forms no part of the claimed design.

1 Claim, 8 Drawing Sheets



(56)

References Cited

U.S. PATENT DOCUMENTS

2010/0083606 A1* 4/2010 Davis E04B 1/24
52/656.9
2013/0086864 A1* 4/2013 Marriott E04F 15/02016
52/650.3

* cited by examiner

FIG. 1

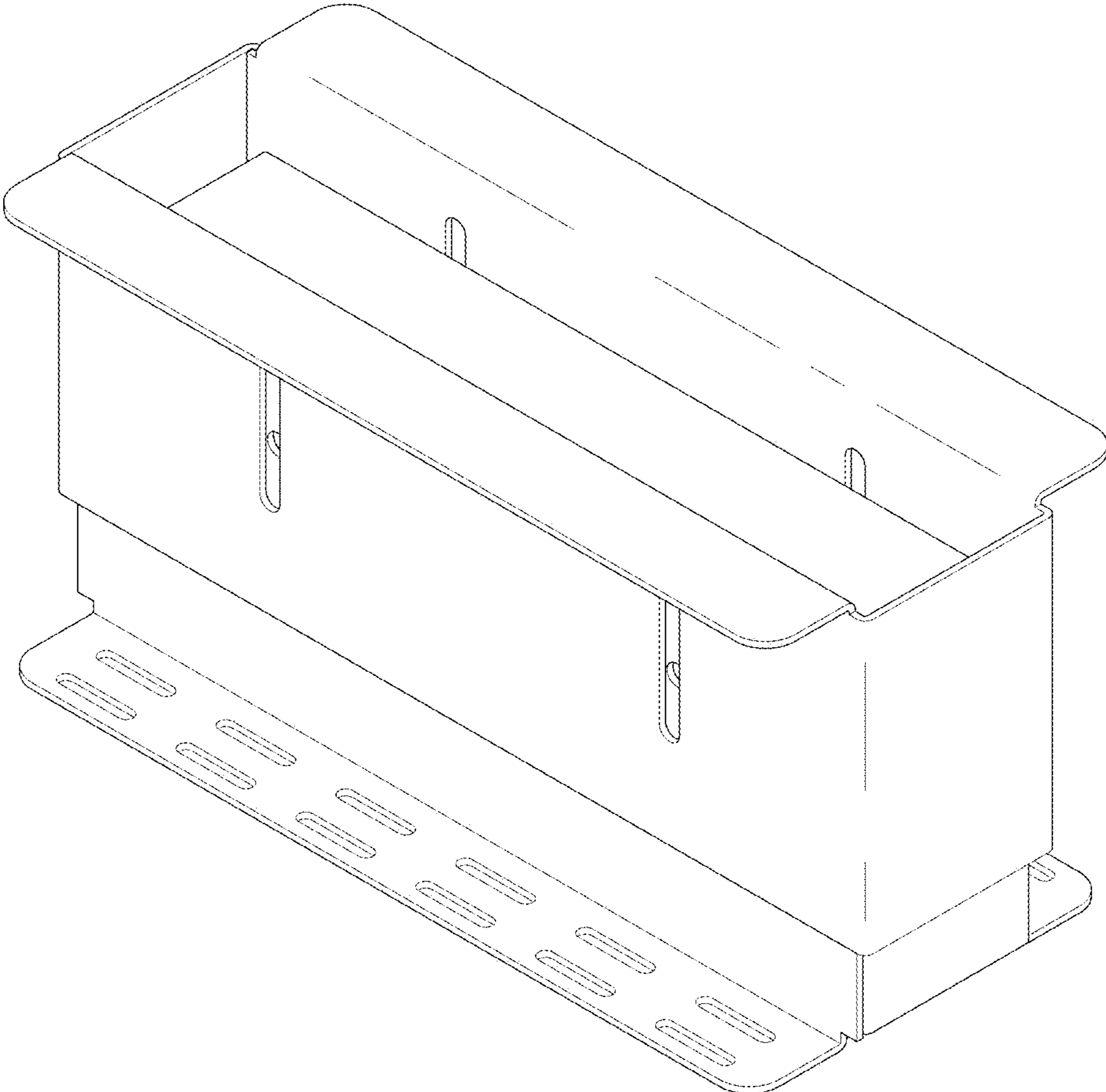


FIG. 2

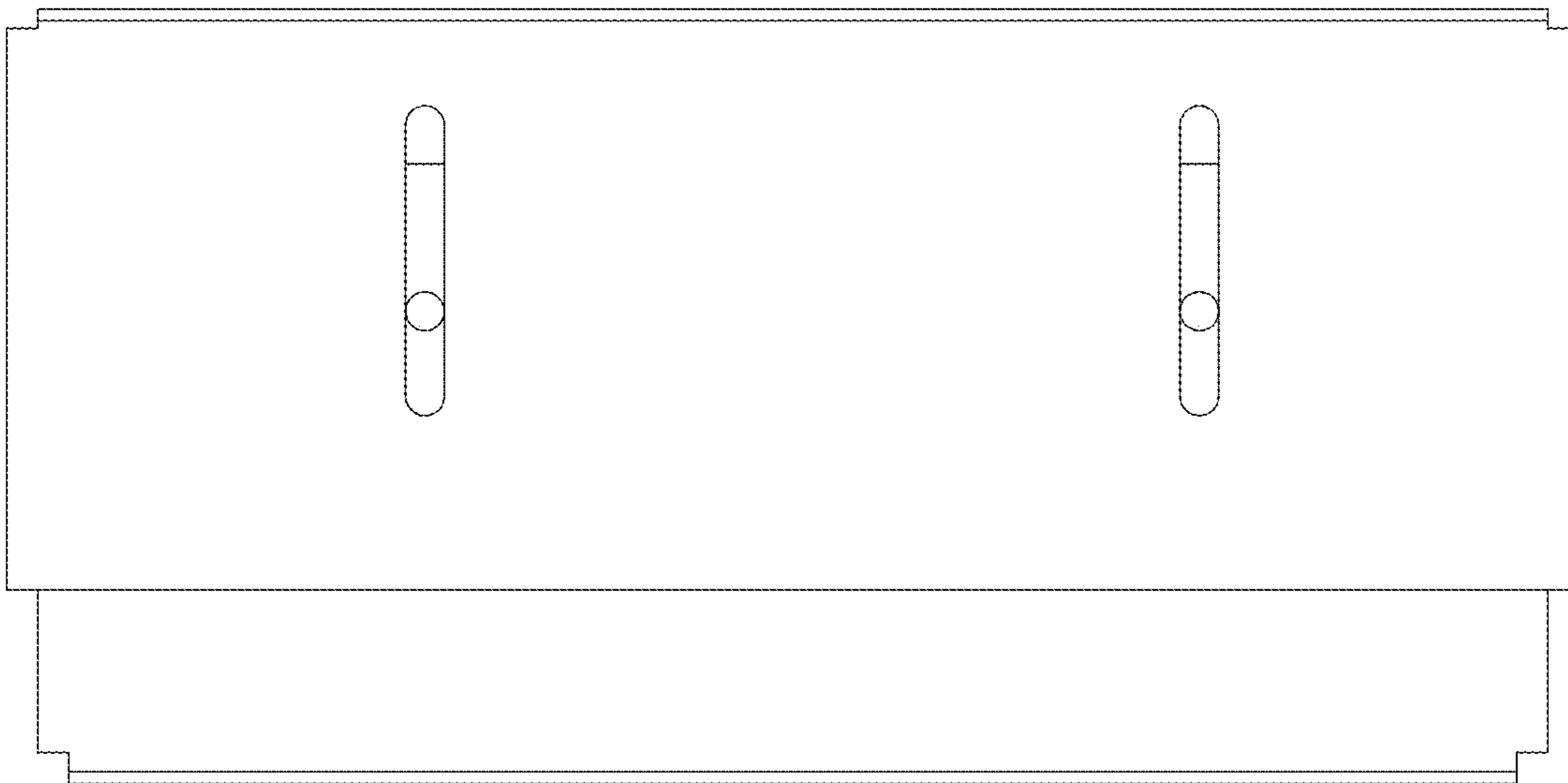


FIG. 3

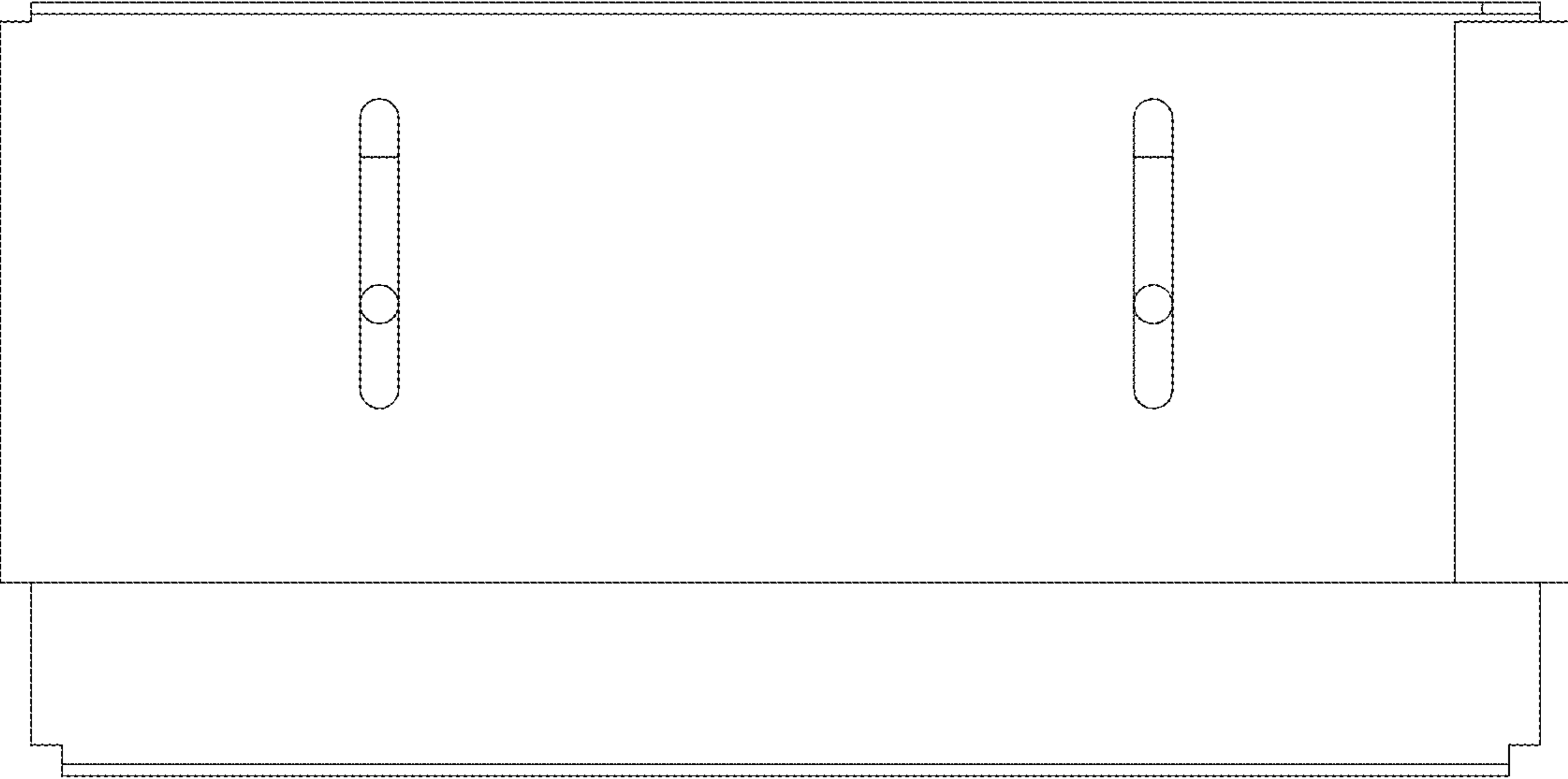


FIG. 4

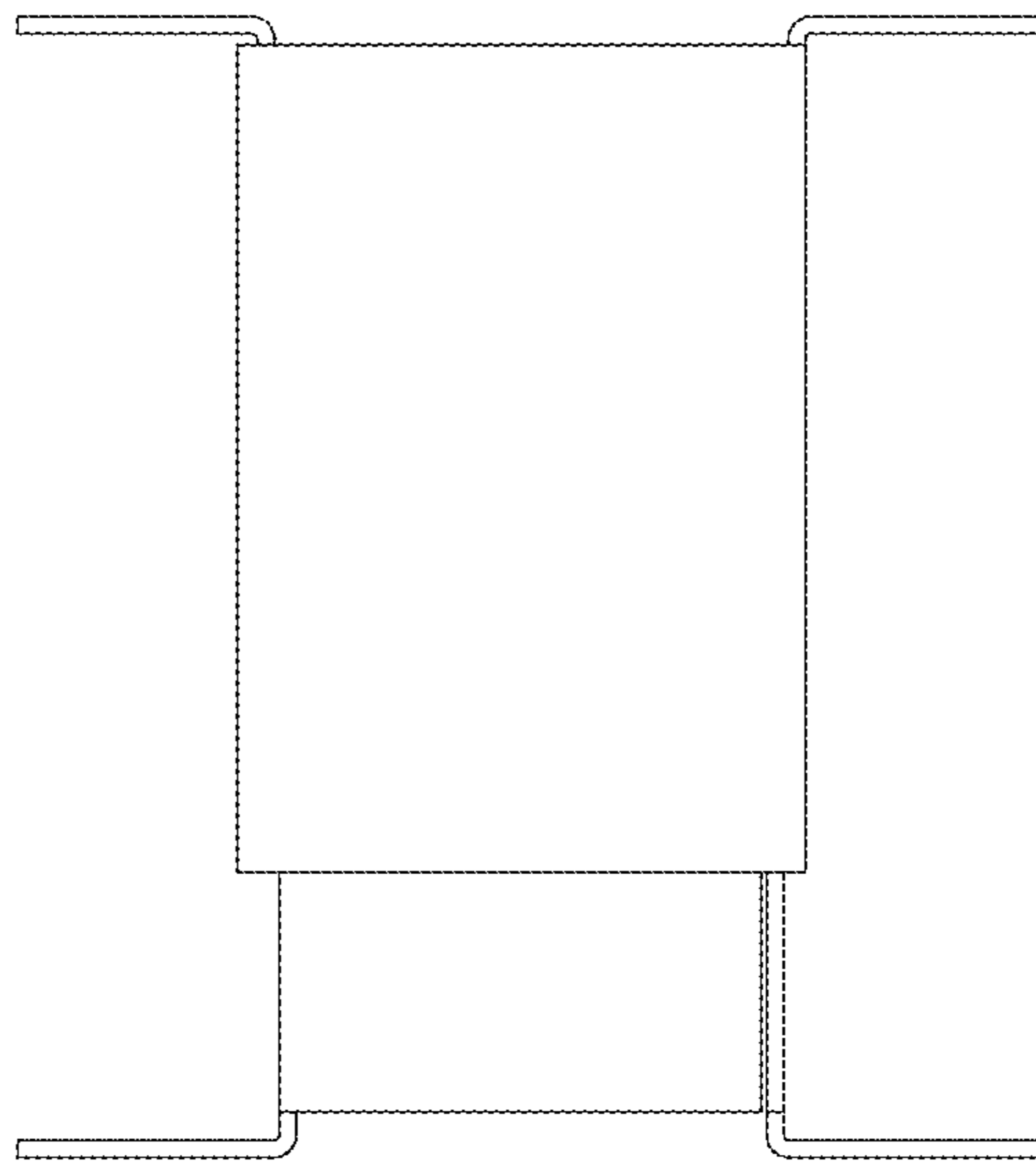


FIG. 5

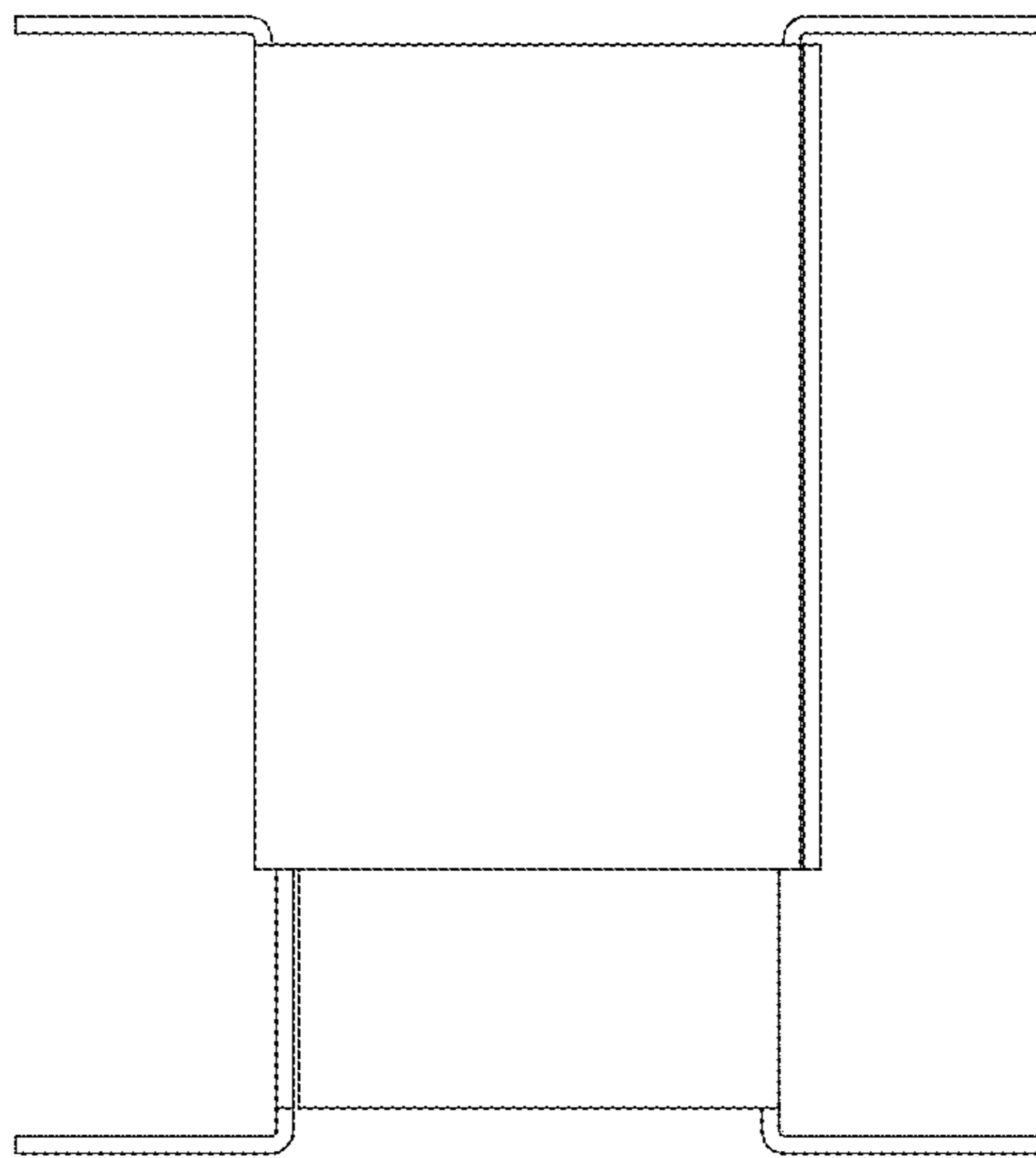


FIG. 6

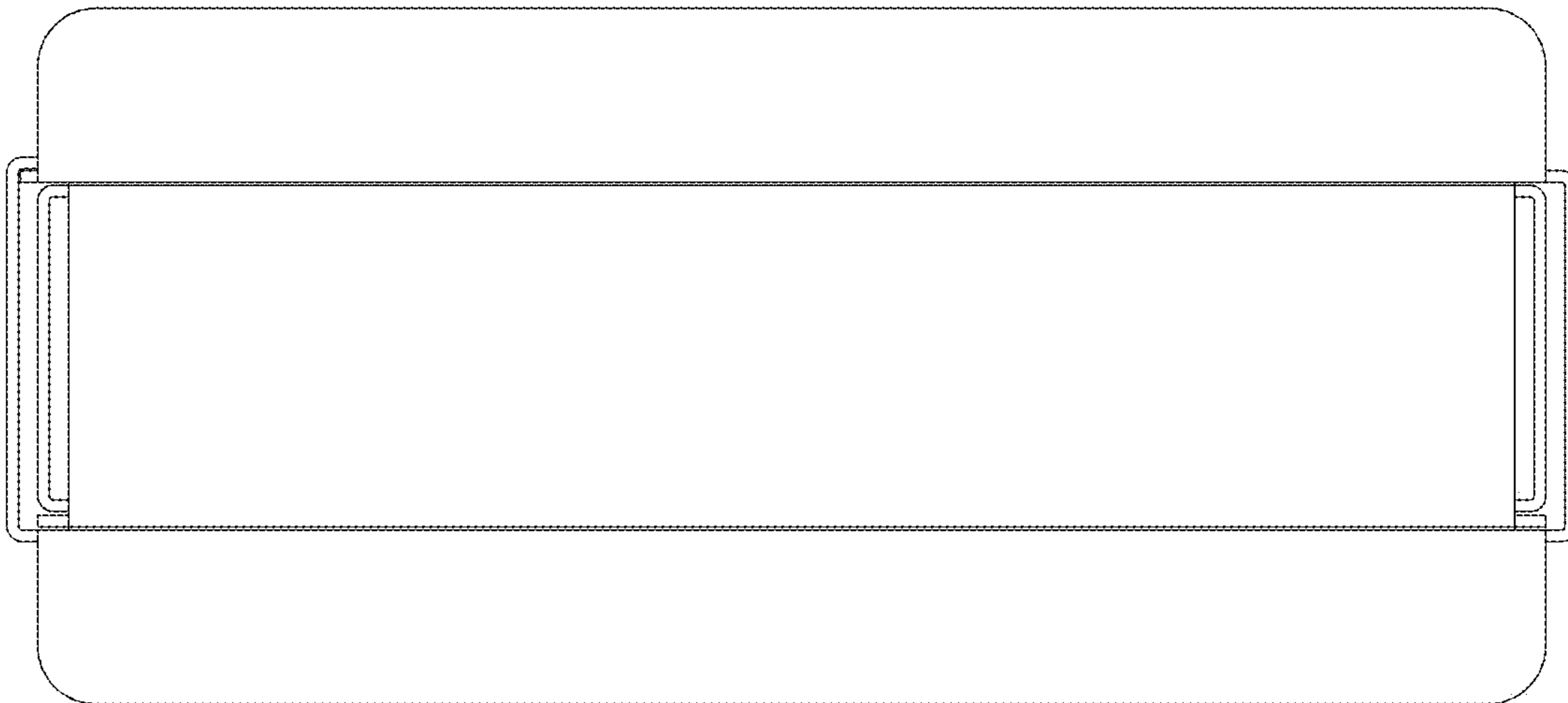


FIG. 7

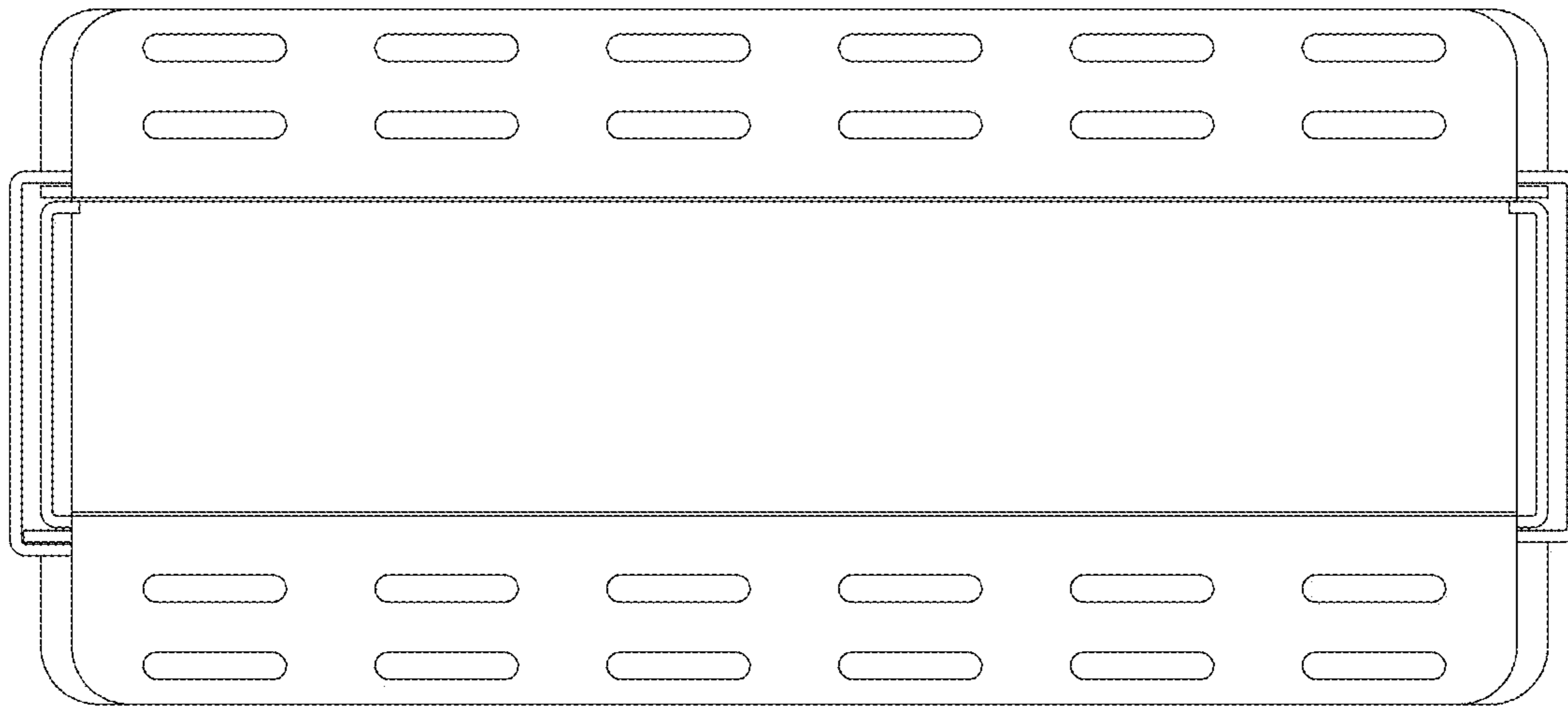


FIG. 8

