



US00D934658S

(12) **United States Design Patent** (10) **Patent No.:** **US D934,658 S**
Zhang et al. (45) **Date of Patent:** **** Nov. 2, 2021**

(54) **ELECTRONIC LOCK**

(74) *Attorney, Agent, or Firm* — Russell Petersen

(71) Applicant: **Digilock Asia Ltd.**, Kowloon (HK)

(57) **CLAIM**

(72) Inventors: **An Zhang**, Shaoguan (CN); **Asil Gokcebay**, Petaluma, CA (US)

The ornamental design for an electronic lock, as shown and described.

(73) Assignee: **Digilock Asia Ltd.**, Kowloon (HK)

(**) Term: **15 Years**

DESCRIPTION

(21) Appl. No.: **29/712,135**

(22) Filed: **Nov. 5, 2019**

Related U.S. Application Data

(62) Division of application No. 16/426,302, filed on May 30, 2019, now Pat. No. 10,711,489.

(51) **LOC (13) Cl.** **08-07**

(52) **U.S. Cl.**
USPC **D8/339**

(58) **Field of Classification Search**
USPC D8/331, 339

(Continued)

(56) **References Cited**

U.S. PATENT DOCUMENTS

5,228,730 A 7/1993 Gokcebay et al.
5,245,329 A 9/1993 Gokcebay

(Continued)

FOREIGN PATENT DOCUMENTS

CN 203684814 U 7/2014
DE 102013104078 11/2014

(Continued)

OTHER PUBLICATIONS

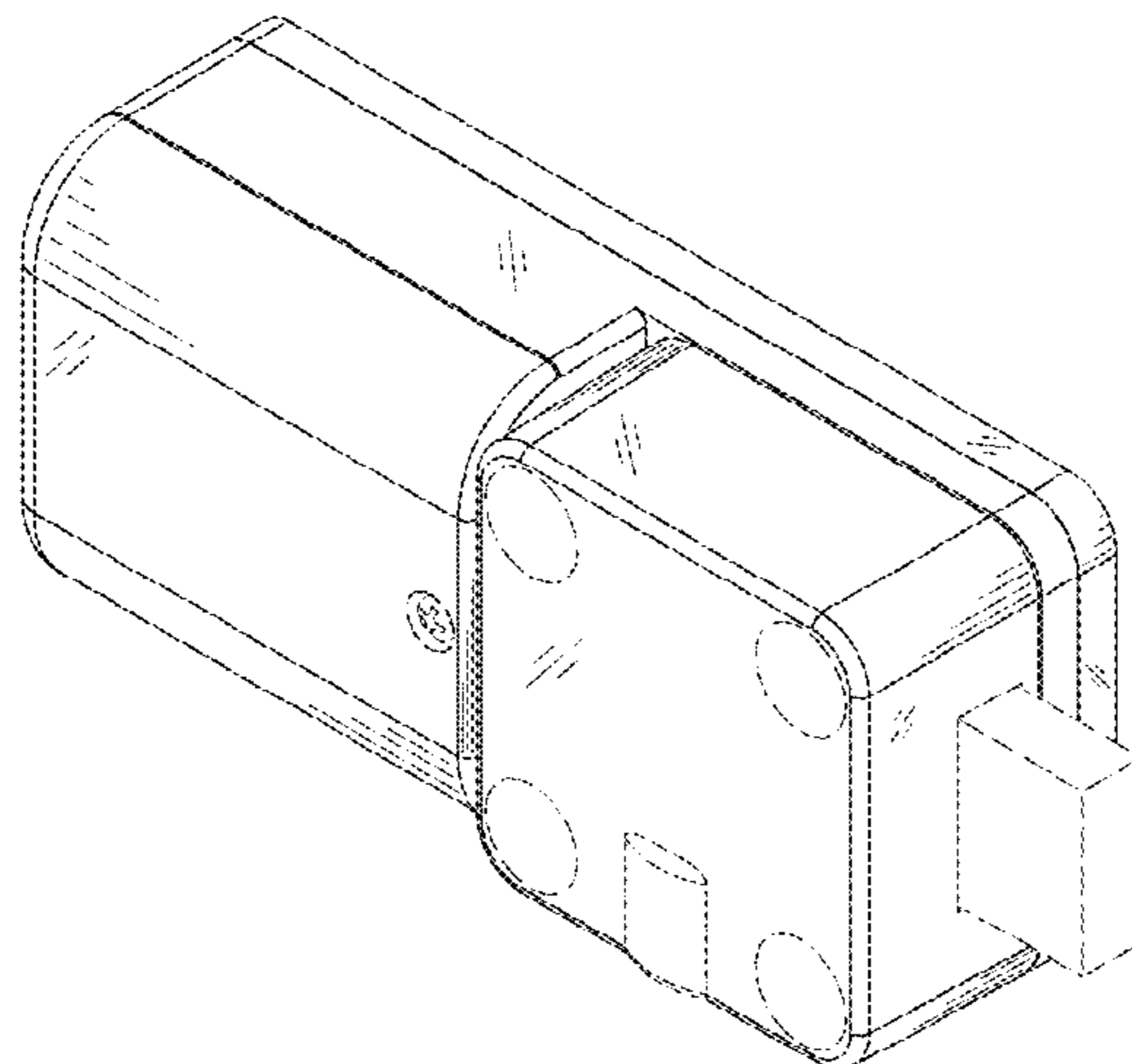
KR101900231; Machine translation of abstract.

(Continued)

Primary Examiner — Doris Clark

FIG. 1 is a perspective view of an electronic lock, showing the new design;
FIG. 2 is a top view of the electronic lock;
FIG. 3 is a front view of the electronic lock;
FIG. 4 is a right side view of the electronic lock;
FIG. 5 is a bottom view of the electronic lock;
FIG. 6 is a left side view of the electronic lock; and
FIG. 7 is a rear view of the electronic lock.
FIG. 8 is a perspective view of an electronic lock showing a second embodiment of the new design;
FIG. 9 is a top view of the electronic lock of FIG. 8;
FIG. 10 is a front view of the electronic lock of FIG. 8;
FIG. 11 is a right side view of the electronic lock of FIG. 8;
FIG. 12 is a bottom view of the electronic lock of FIG. 8;
FIG. 13 is a left side view of the electronic lock of FIG. 8;
FIG. 14 is a rear view of the electronic lock of FIG. 8;
FIG. 15 is a perspective view of an electronic lock showing a third embodiment of the new design;
FIG. 16 is a top view of the electronic lock of FIG. 15;
FIG. 17 is a front view of the electronic lock of FIG. 15;
FIG. 18 is a right side of the electronic lock of FIG. 15;
FIG. 19 is a bottom view of the electronic lock of FIG. 15;
FIG. 20 is a left side view of the electronic lock of FIG. 15;
FIG. 21 is a rear view of the electronic lock of FIG. 15;
FIG. 22 is a perspective view of an electronic lock showing a fourth embodiment of the new design;
FIG. 23 is a top view of the electronic lock of FIG. 22;
FIG. 24 is a front view of the electronic lock of FIG. 22;
FIG. 25 is a right side view of the electronic lock of FIG. 22;
FIG. 26 is a bottom view of the electronic lock of FIG. 22;
FIG. 27 is a left side view of the electronic lock of FIG. 22;
and,
FIG. 28 is a rear view of the electronic lock of FIG. 22.

(Continued)



The broken lines are shown for the purpose of illustrating parts of the electronic lock that form no part of the claimed design.

1 Claim, 8 Drawing Sheets

(58) Field of Classification Search

CPC ... G07C 9/20; G07C 9/22; G07C 9/30; G07C 9/00182; G07C 9/00944; G07C 2009/00968; E05B 2047/0036; E05B 2047/0037; E05B 47/0673; E05B 47/0012; E05B 47/026; E05B 47/0001; E05B 63/0017; E05B 65/0067; E05B 65/5215; E05B 73/00; E05B 73/0082

See application file for complete search history.

(56) References Cited

U.S. PATENT DOCUMENTS

5,337,043	A	8/1994	Gokcebay
5,367,295	A	11/1994	Gokcebay et al.
5,552,777	A	9/1996	Gokcebay et al.
5,592,408	A	1/1997	Keskin et al.
5,886,644	A	3/1999	Keskin et al.
5,894,277	A	4/1999	Keskin et al.
6,000,609	A	12/1999	Gokcebay et al.
6,374,653	B1	4/2002	Gokcebay et al.
6,552,650	B1	4/2003	Gokcebay et al.
6,655,180	B2	12/2003	Gokcebay et al.
6,791,450	B2	9/2004	Gokcebay et al.
6,826,935	B2	12/2004	Gokcebay et al.
6,927,670	B1	8/2005	Gokcebay et al.
7,012,503	B2	3/2006	Nielsen
7,336,150	B2	2/2008	Gokcebay et al.
7,397,343	B1	7/2008	Gokcebay et al.
D580,739	S *	11/2008	Pelletier G07C 9/00174 D8/330

7,455,335	B2	11/2008	Garneau et al.
7,639,117	B2	12/2009	Wiemeyer
7,731,250	B2	6/2010	Garneau et al.
7,780,204	B2	8/2010	Garneau et al.
8,150,374	B2	4/2012	Lowe
8,161,781	B2	4/2012	Gokcebay
8,222,993	B2	7/2012	Bliding et al.
8,490,443	B2	7/2013	Gokcebay
8,495,898	B2	7/2013	Gokcebay
9,057,210	B2	6/2015	Dumas et al.
9,208,628	B2	12/2015	Gokcebay
9,222,283	B1	12/2015	Zhang et al.
9,222,284	B2	12/2015	Gokcebay
9,273,492	B2	3/2016	Gokcebay
9,422,746	B1	8/2016	Zhang et al.
9,536,359	B1	1/2017	Gokcebay
D780,556	S *	3/2017	Chapman G07C 9/00309 D8/339
9,631,399	B1	4/2017	Zhang et al.
9,672,673	B1	6/2017	Gokcebay
9,702,166	B2	7/2017	Zhang
10,121,342	B2 *	11/2018	Alvarez E05B 73/0064
10,135,268	B1	11/2018	Gokcebay
10,718,138	B2 *	7/2020	Wu E05B 73/0082
10,753,123	B2 *	8/2020	Roatis E05B 3/08
2002/0180582	A1	12/2002	Nielsen
2017/0221291	A1	8/2017	Gokcebay
2018/0033227	A1	2/2018	Gokcebay

FOREIGN PATENT DOCUMENTS

EP	2796645	B1	2/2017
EP	3188136	A1	7/2017
KR	101900231	B1	9/2018

OTHER PUBLICATIONS

CN2036848; Machine translation of abstract.
DE102013104078; Machine translation of abstract.
EP796645; Machine translation of abstract.

* cited by examiner

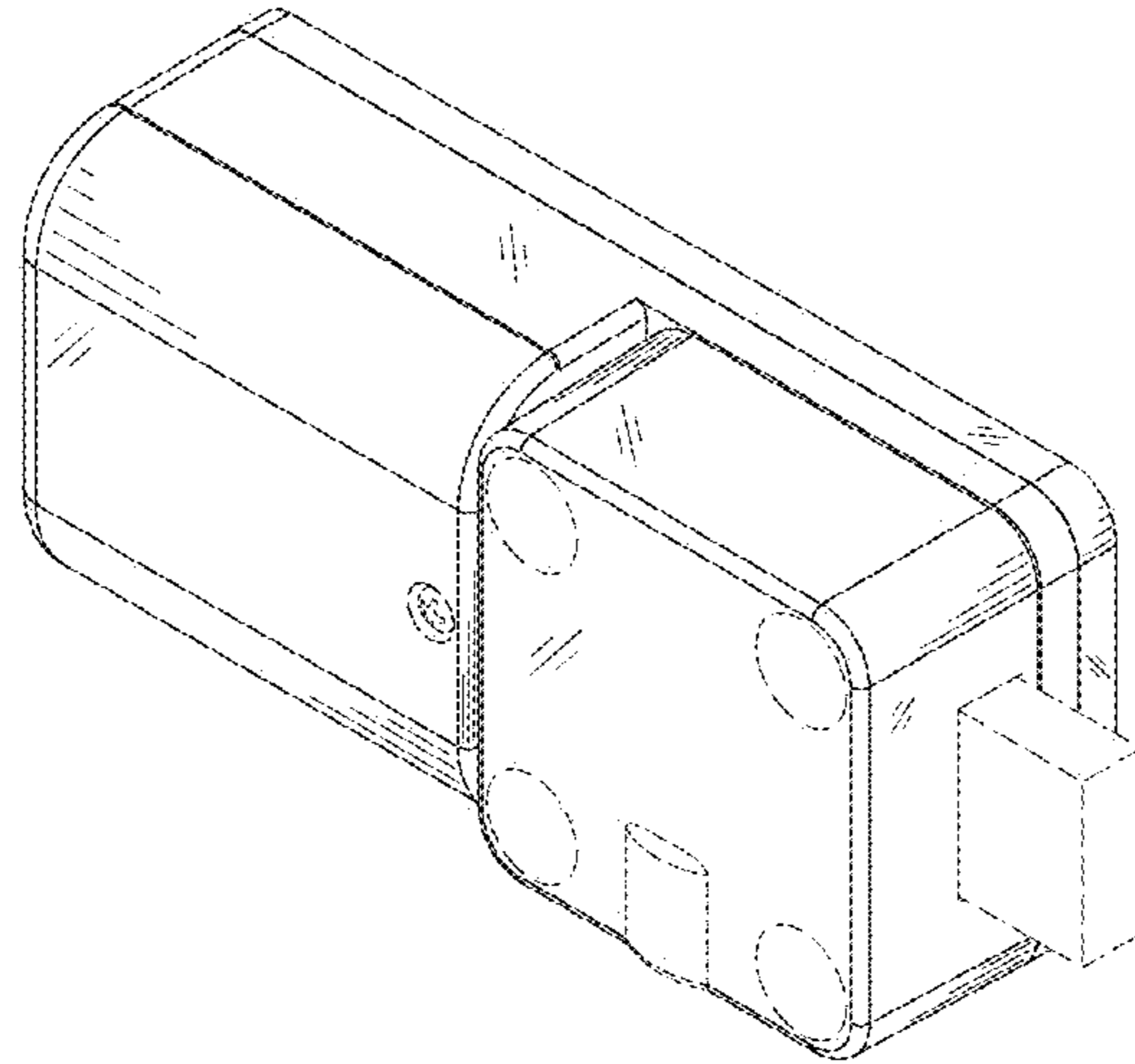


FIG. 1

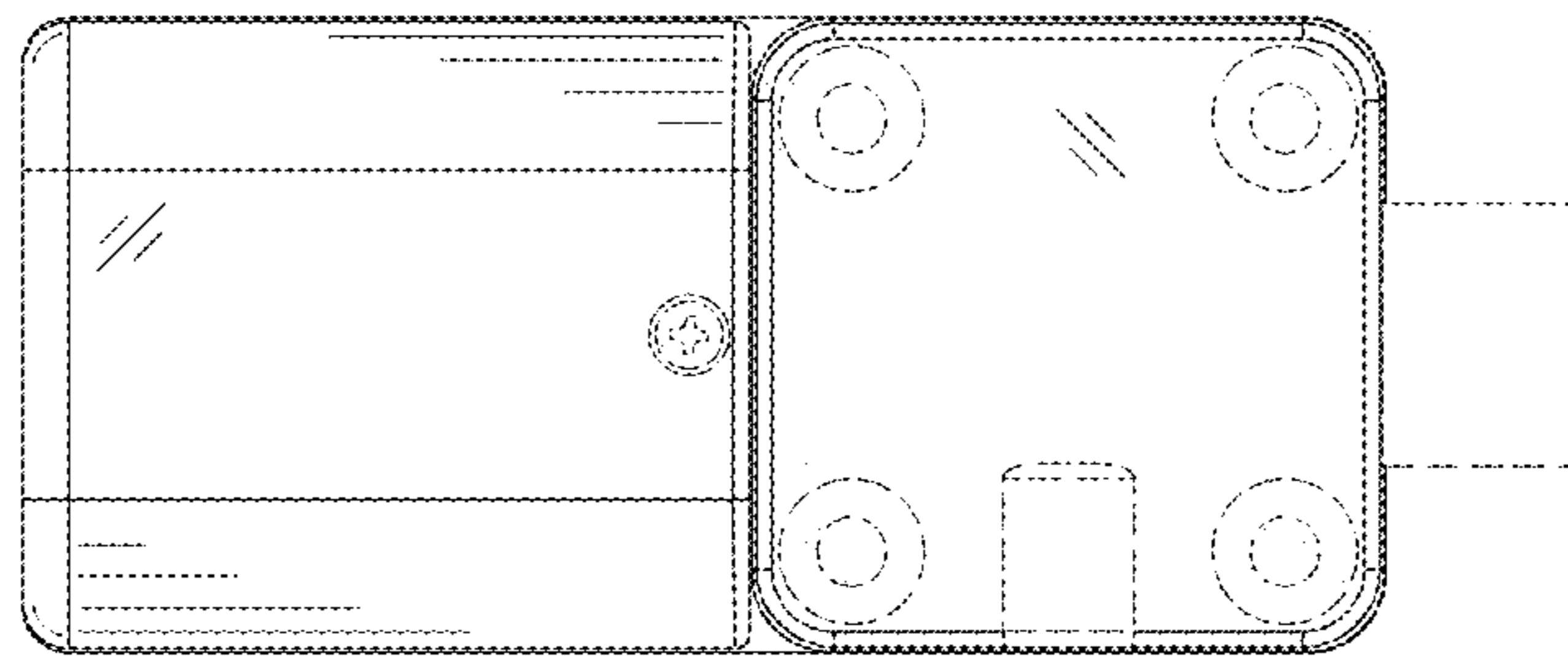


FIG. 2

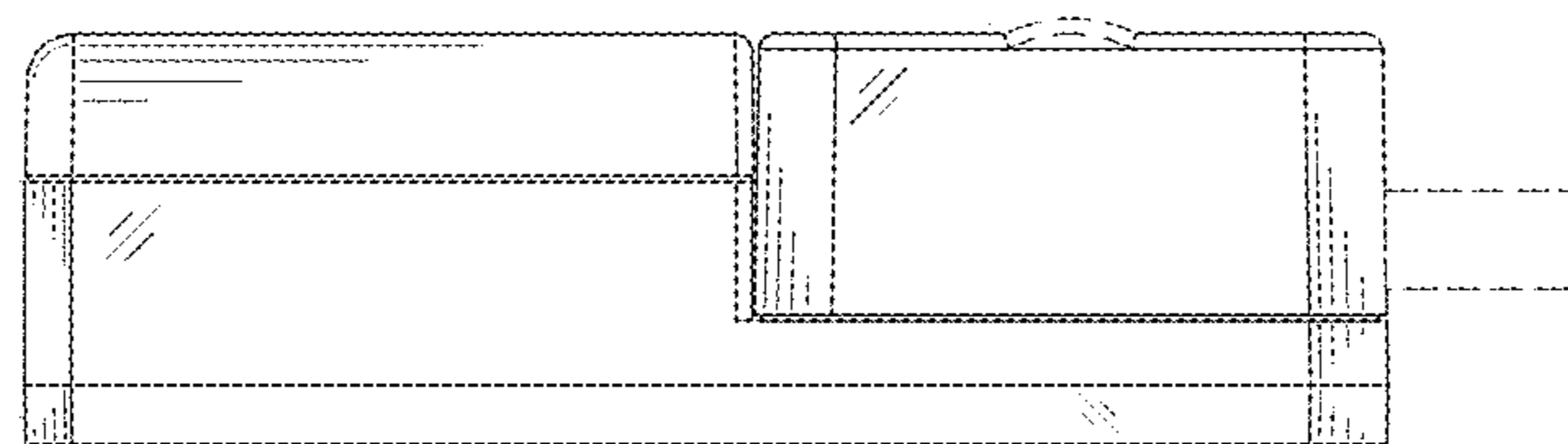


FIG. 3

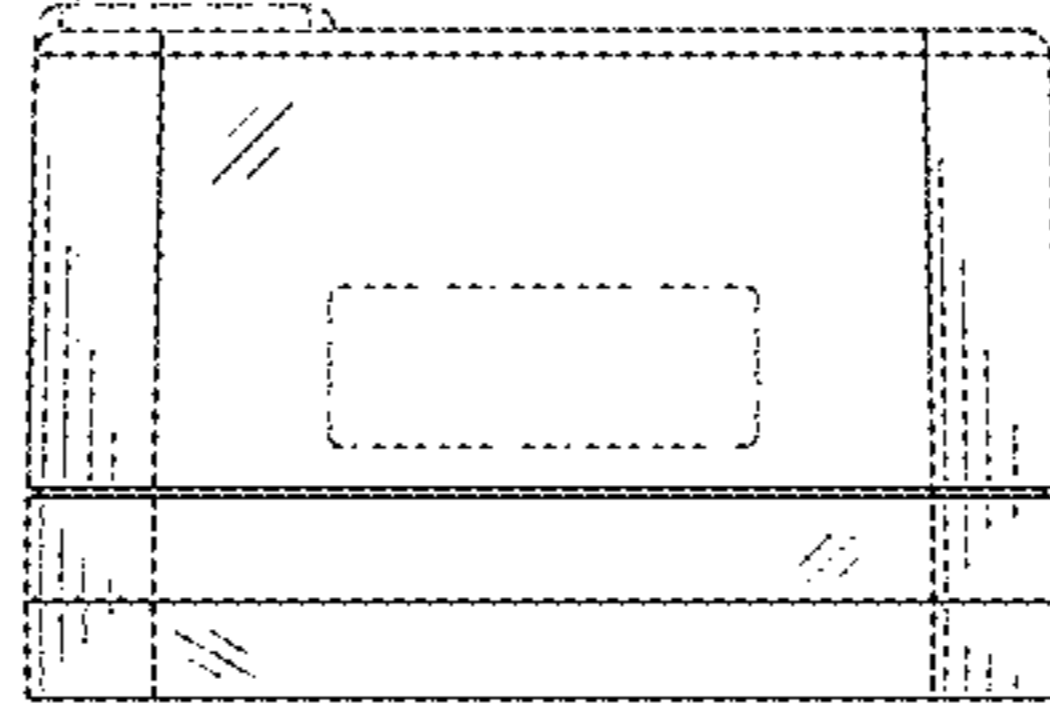


FIG. 4

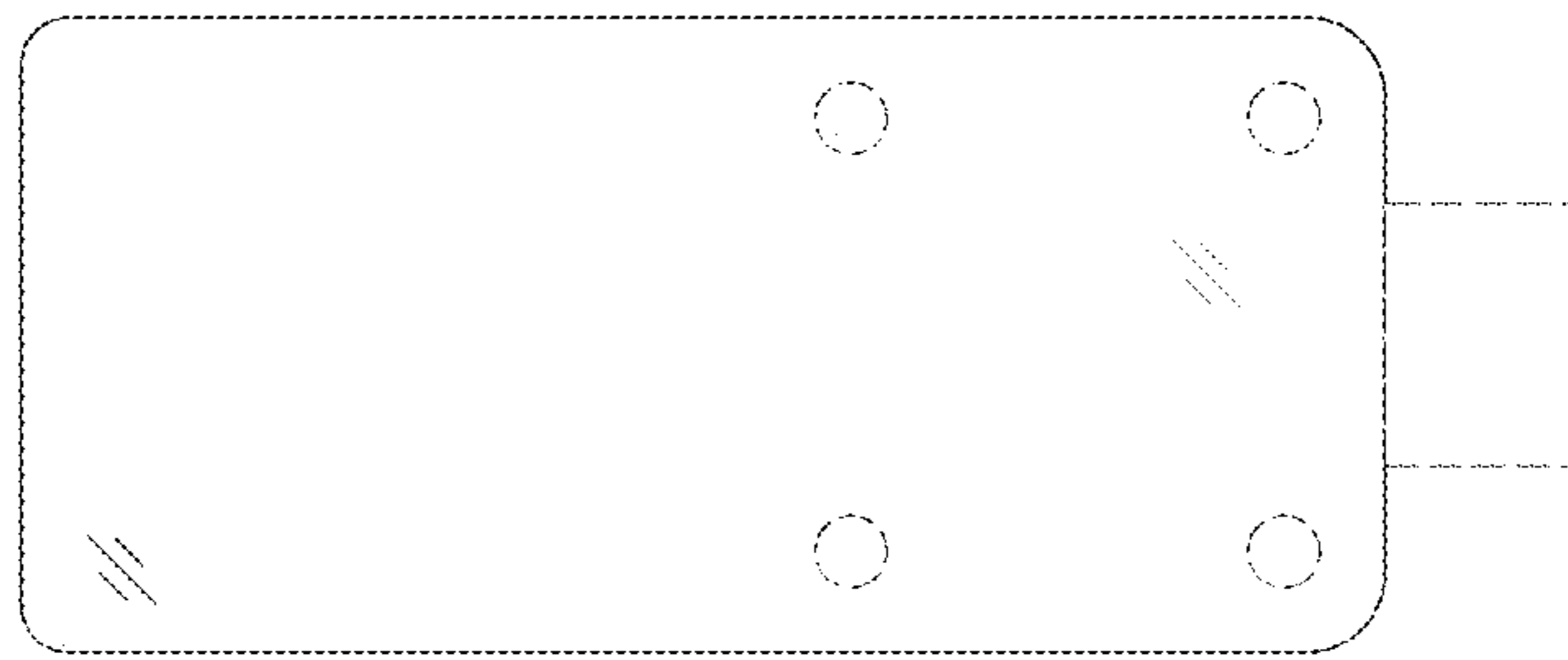


FIG. 5

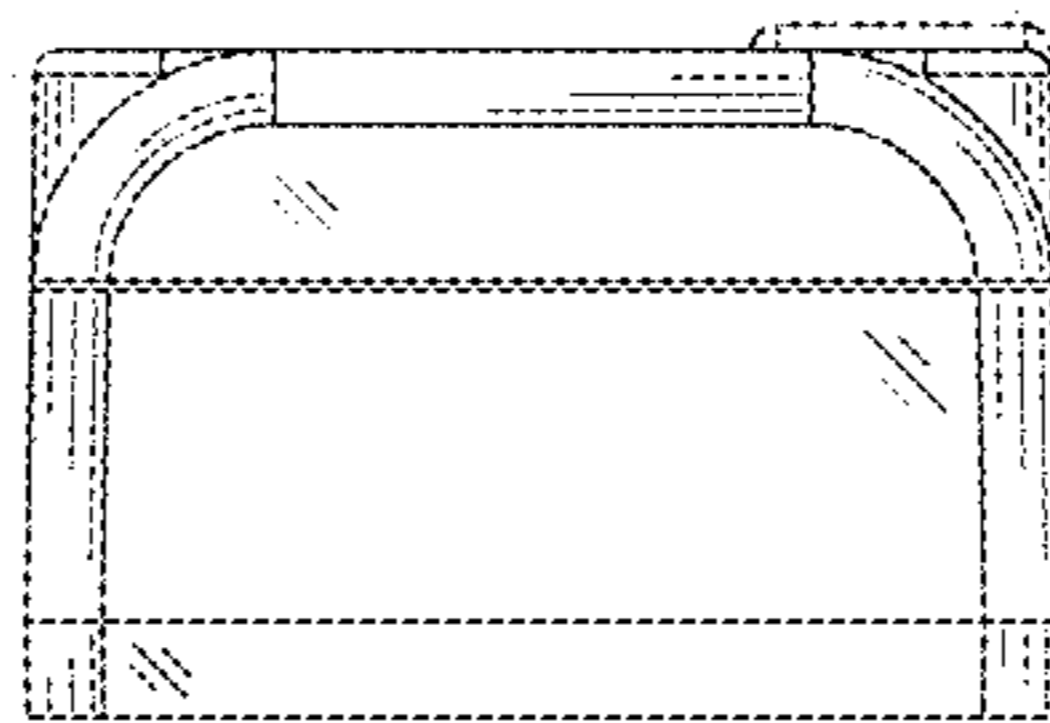


FIG. 6

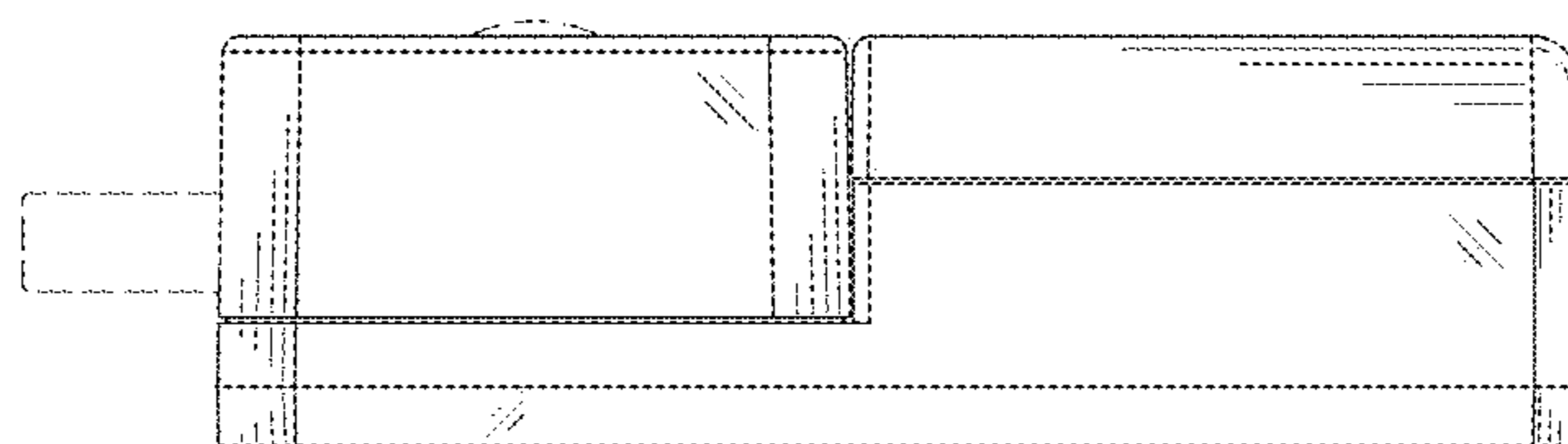


FIG. 7

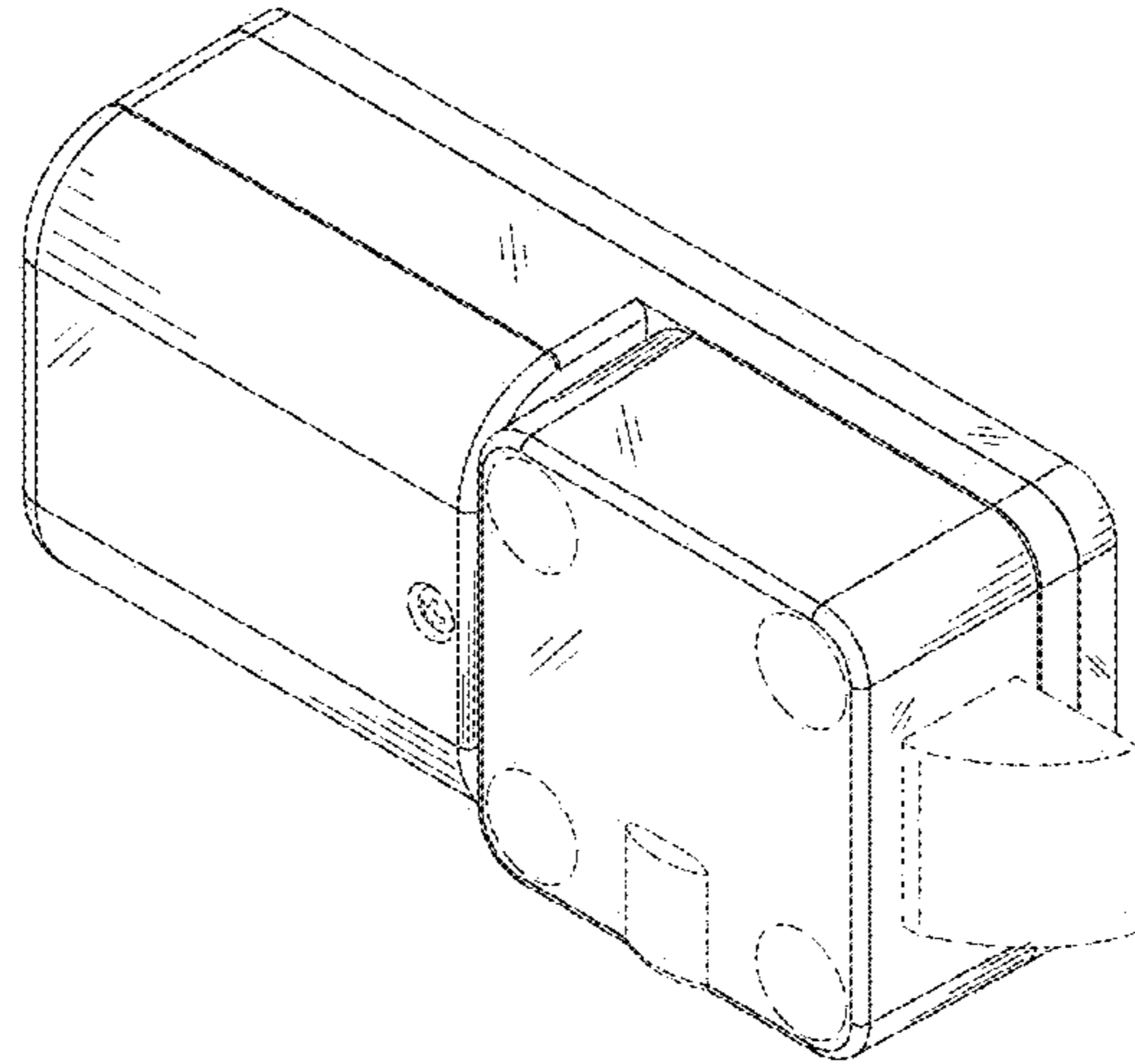


FIG. 8

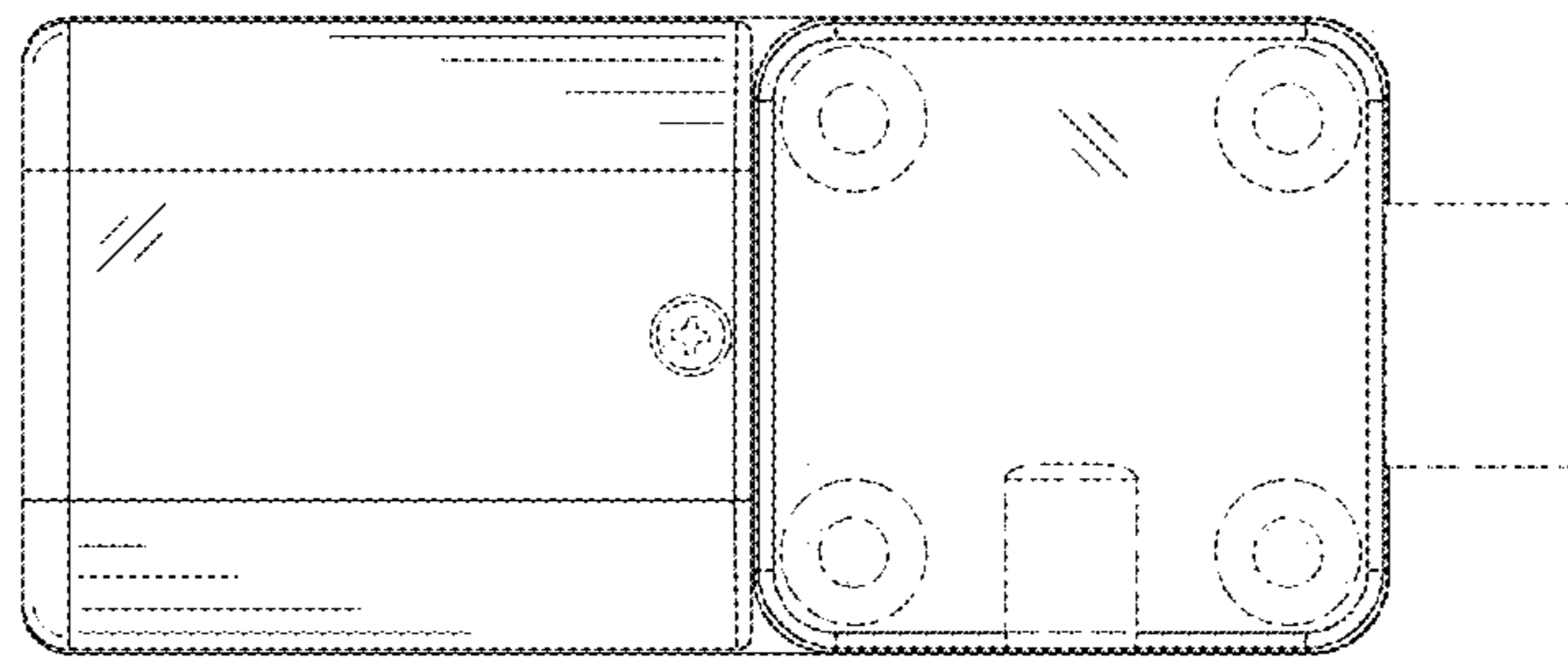


FIG. 9

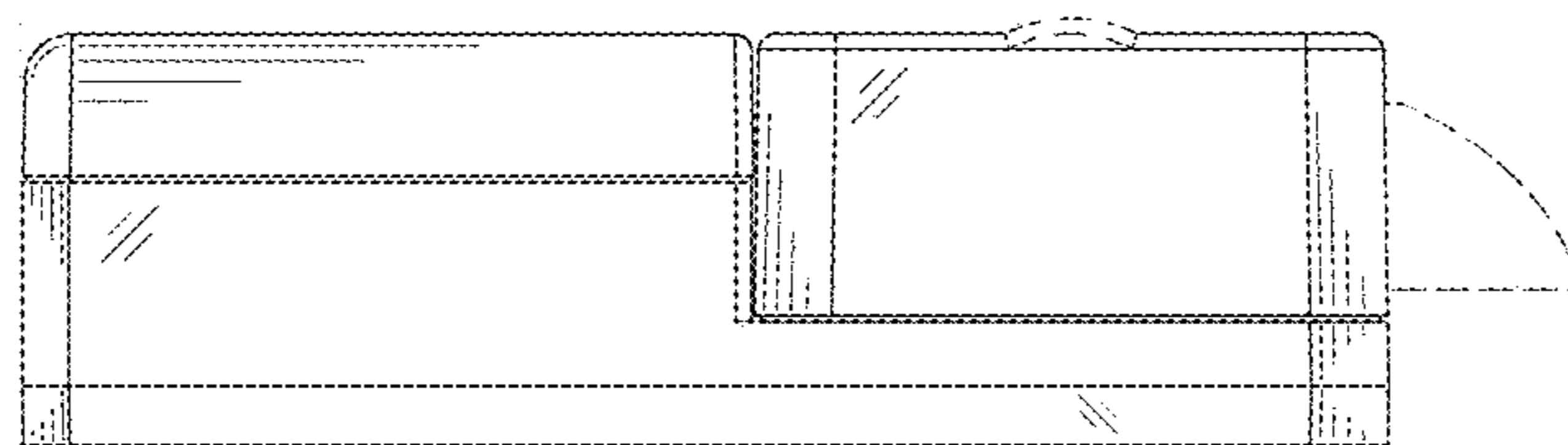


FIG. 10

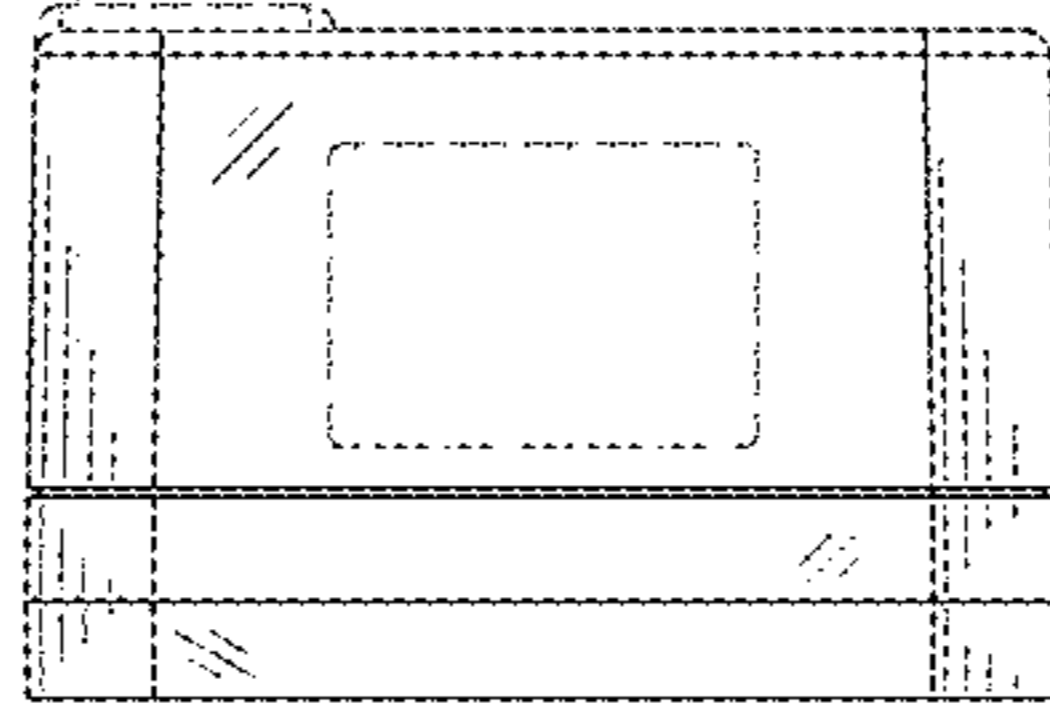


FIG. 11

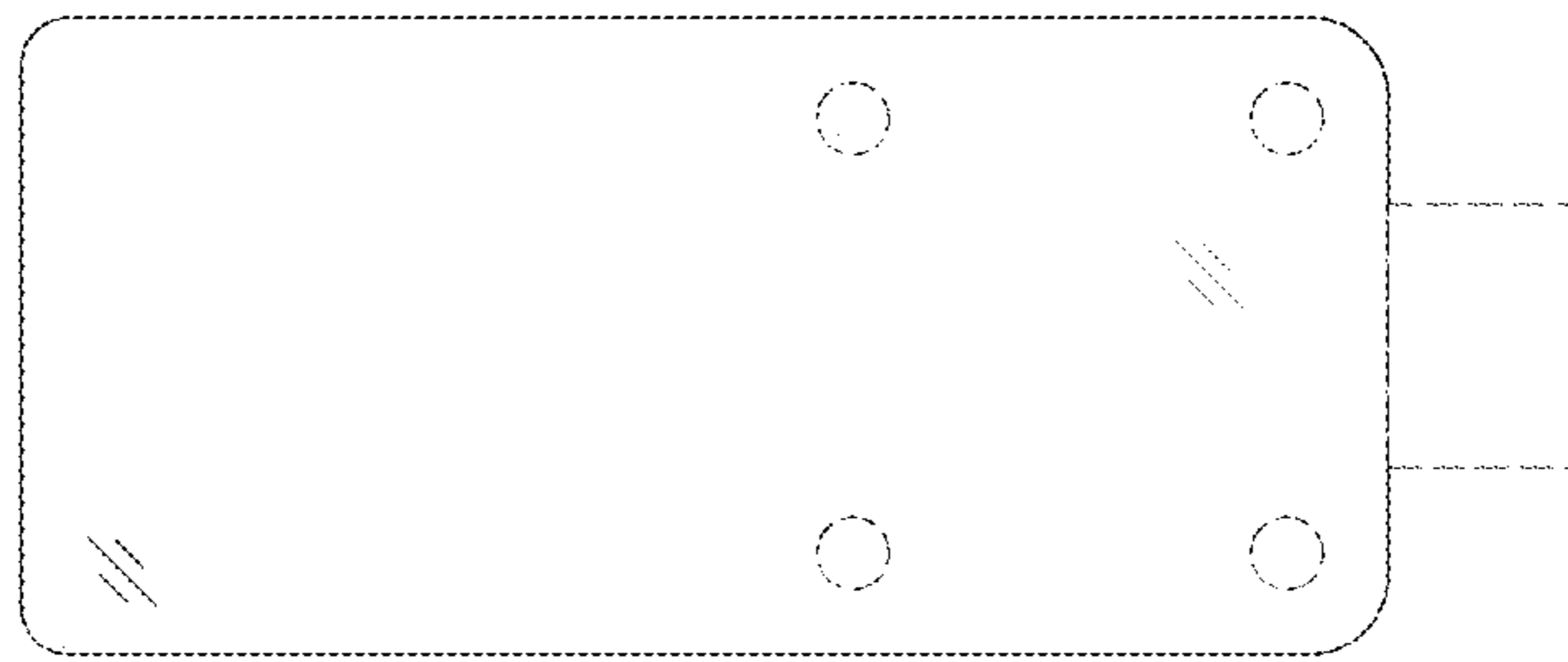


FIG. 12

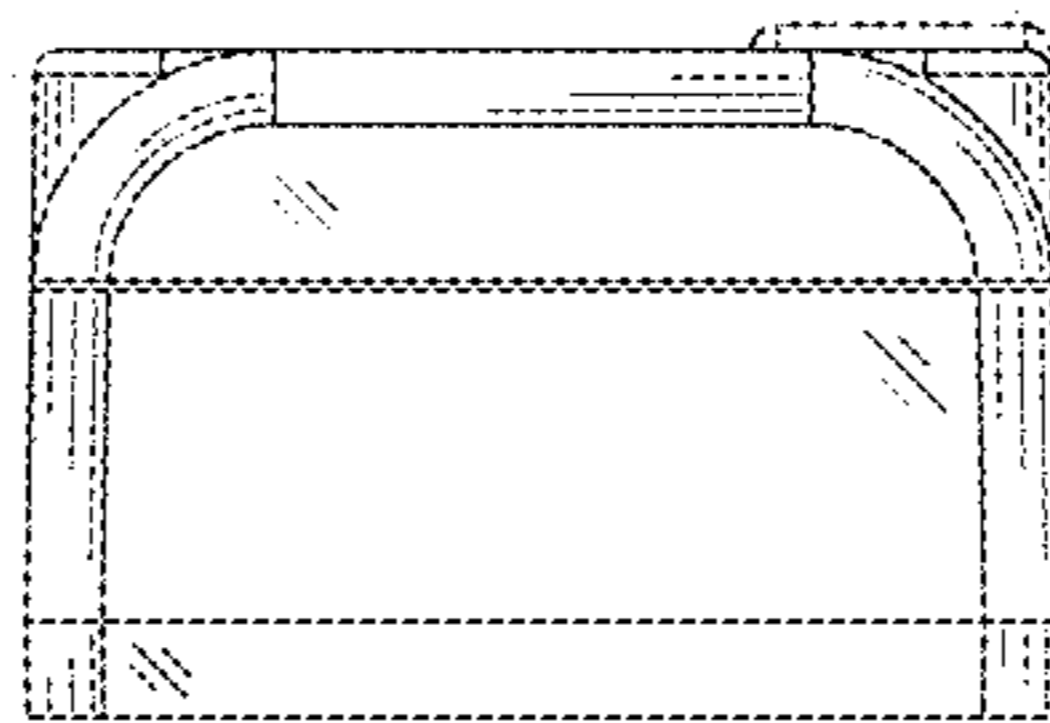


FIG. 13

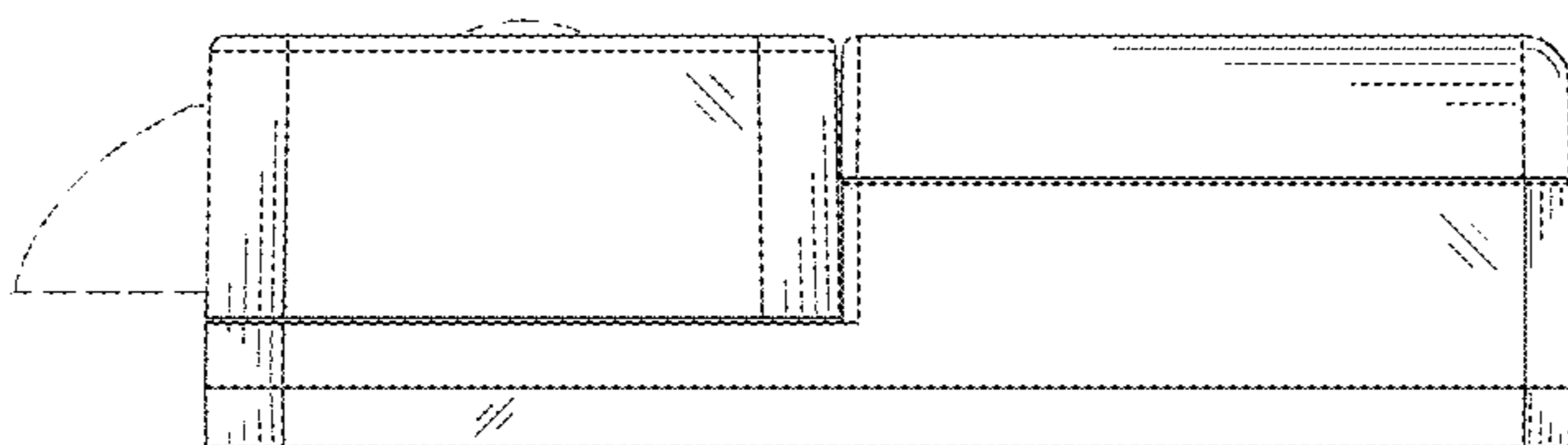


FIG. 14

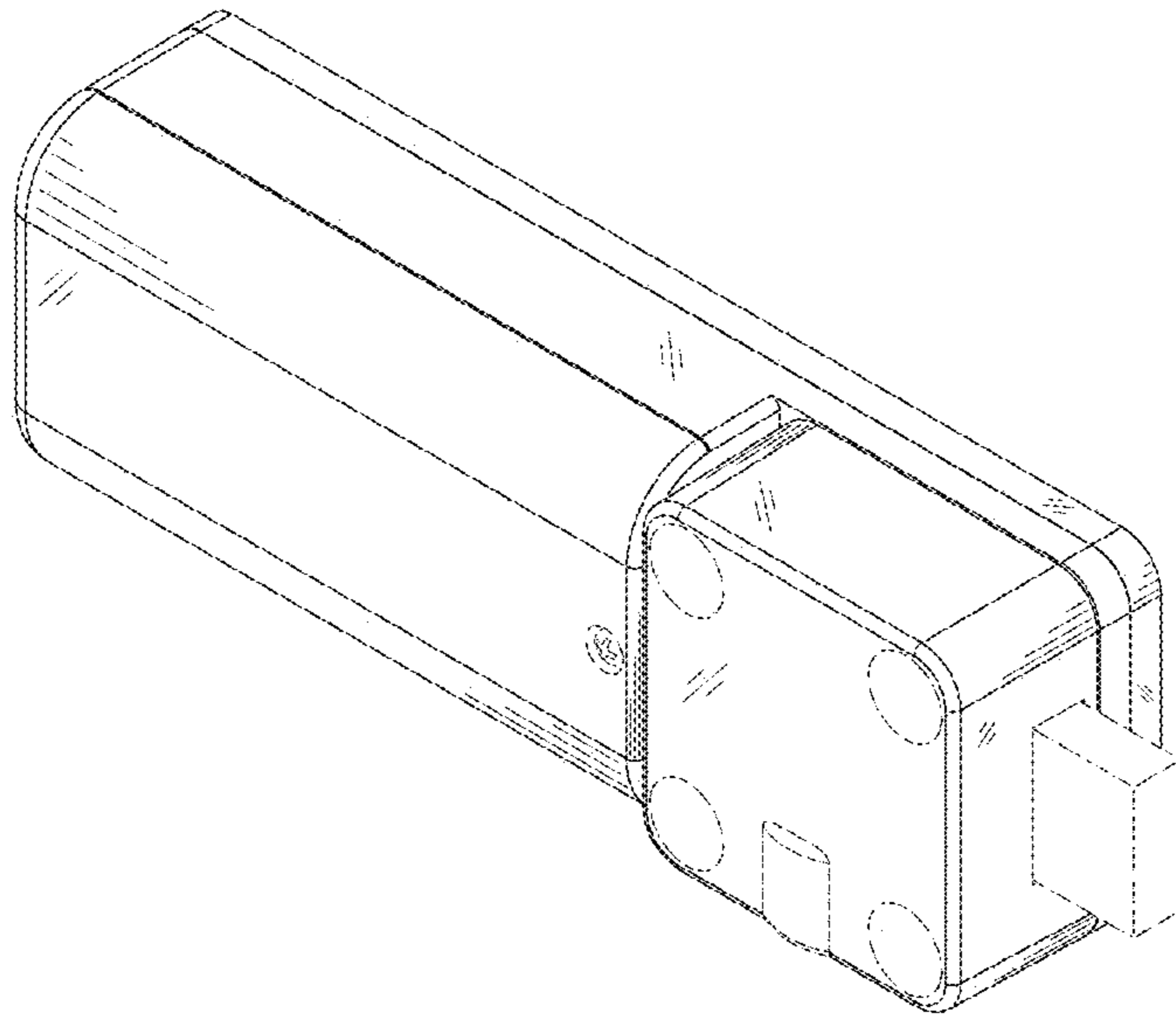


FIG. 15

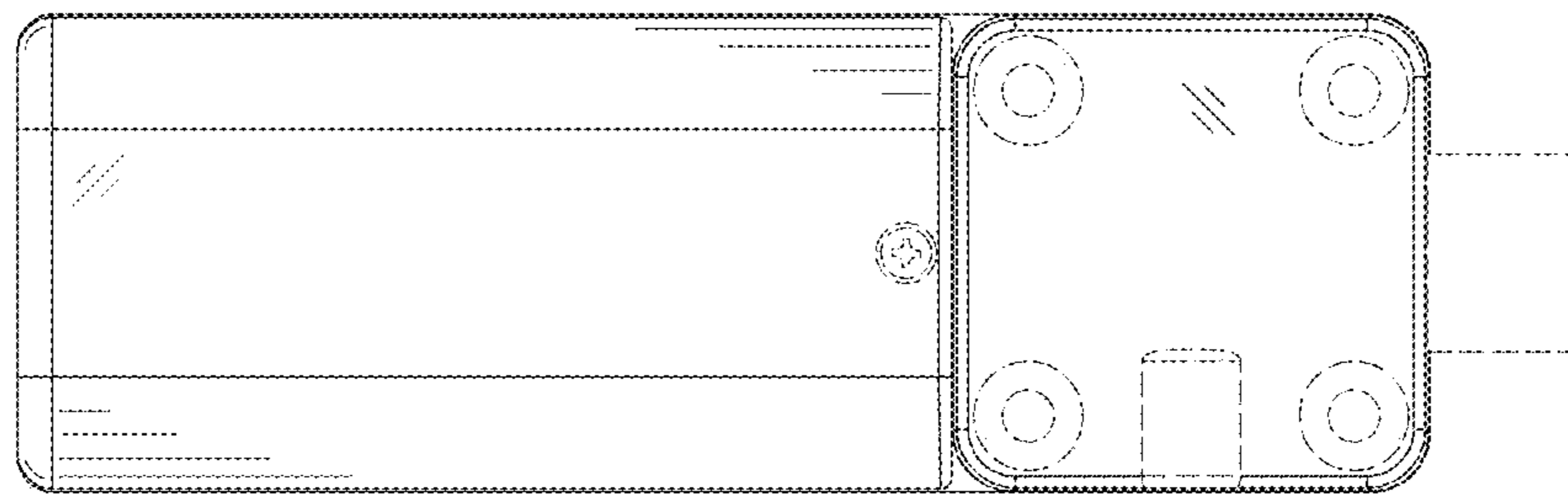


FIG. 16

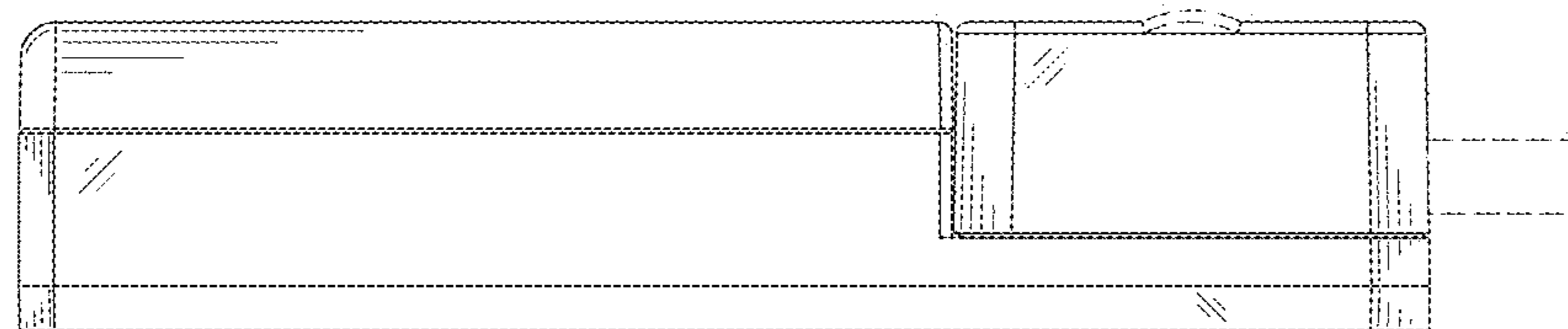


FIG. 17

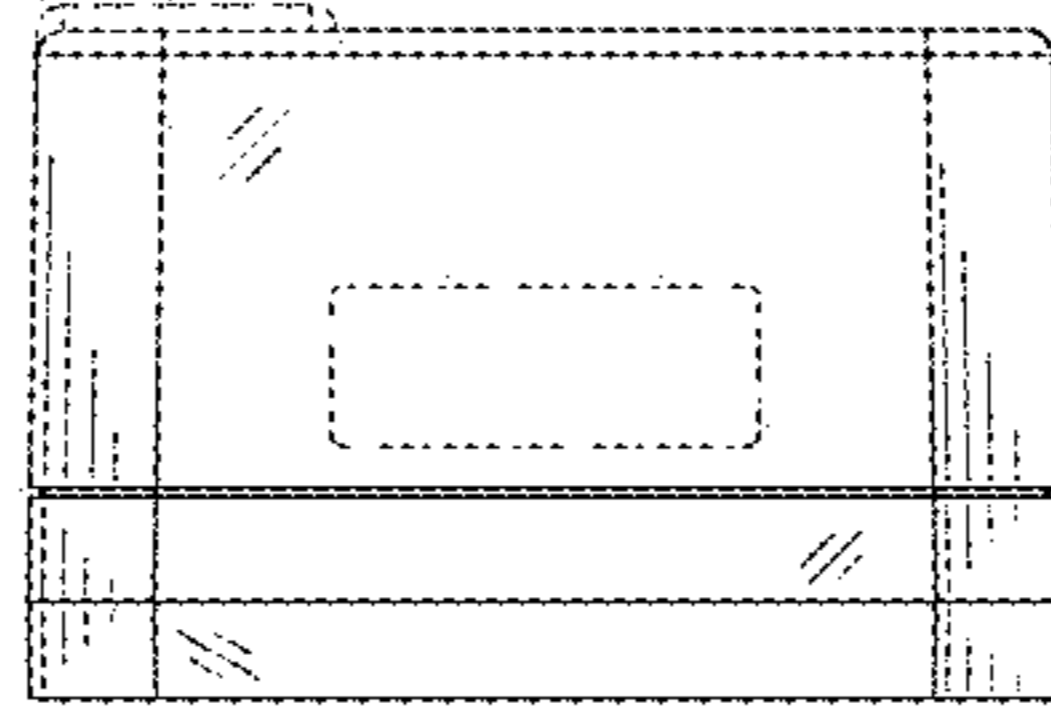


FIG. 18

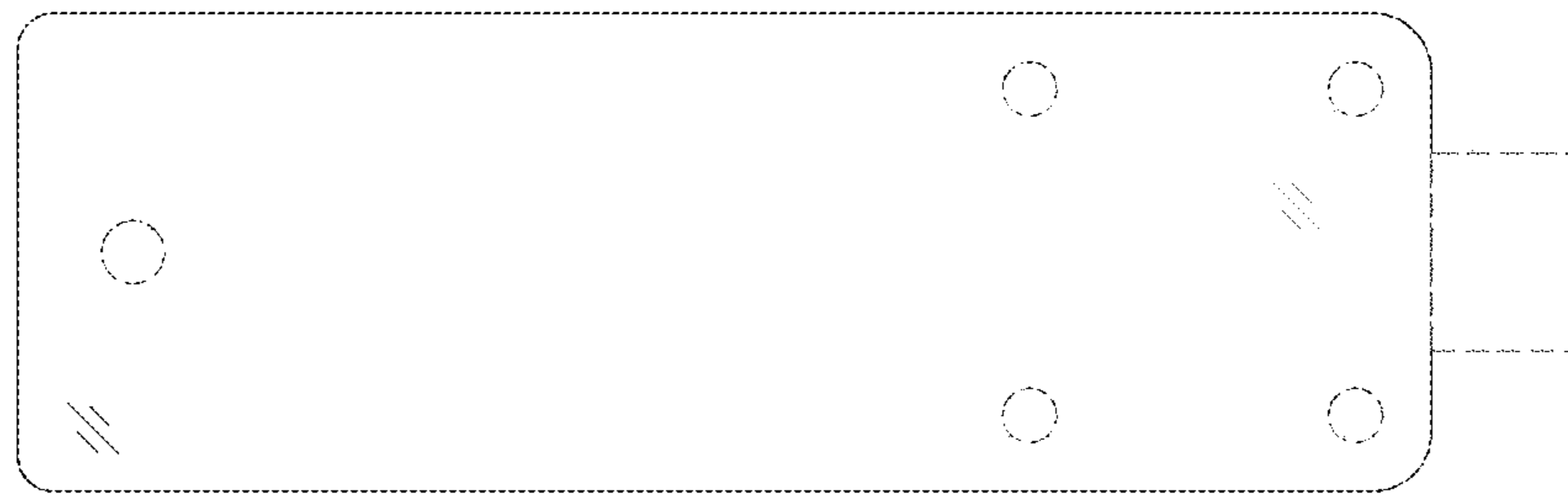


FIG. 19

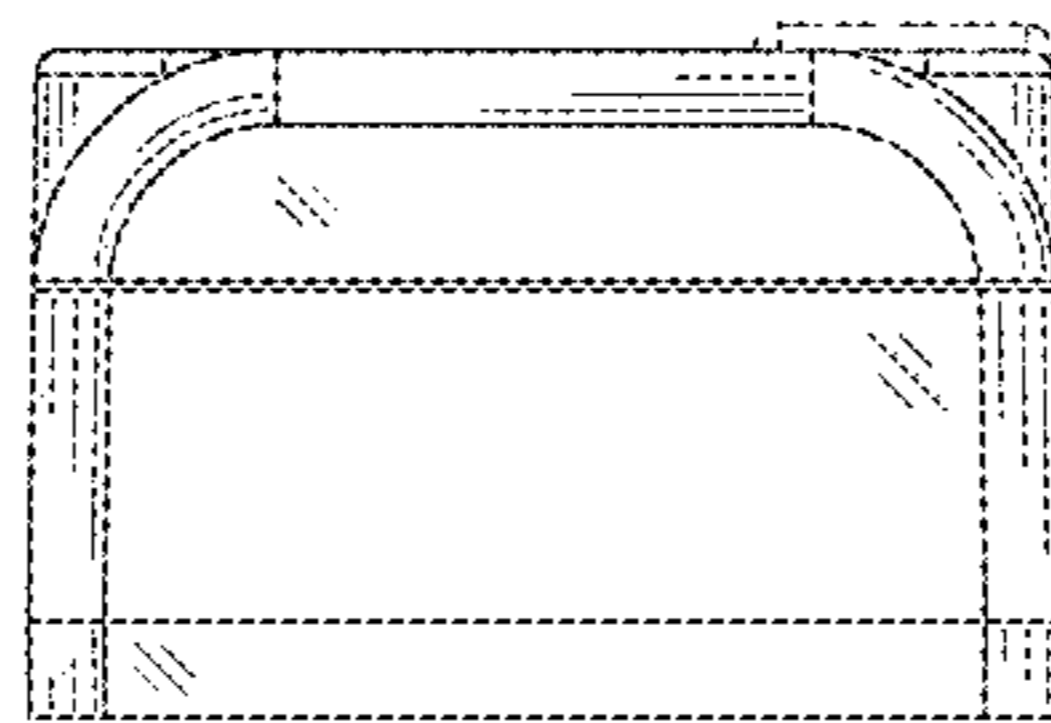


FIG. 20

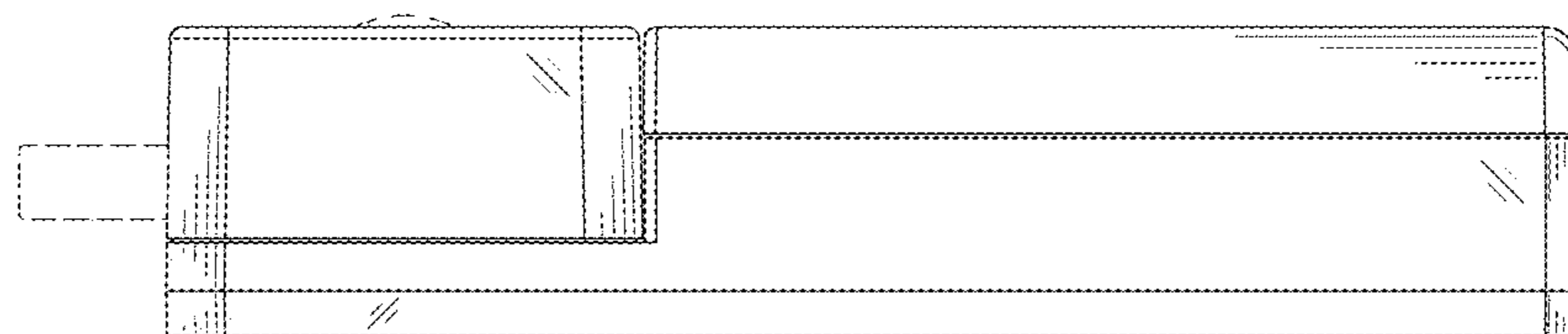


FIG. 21

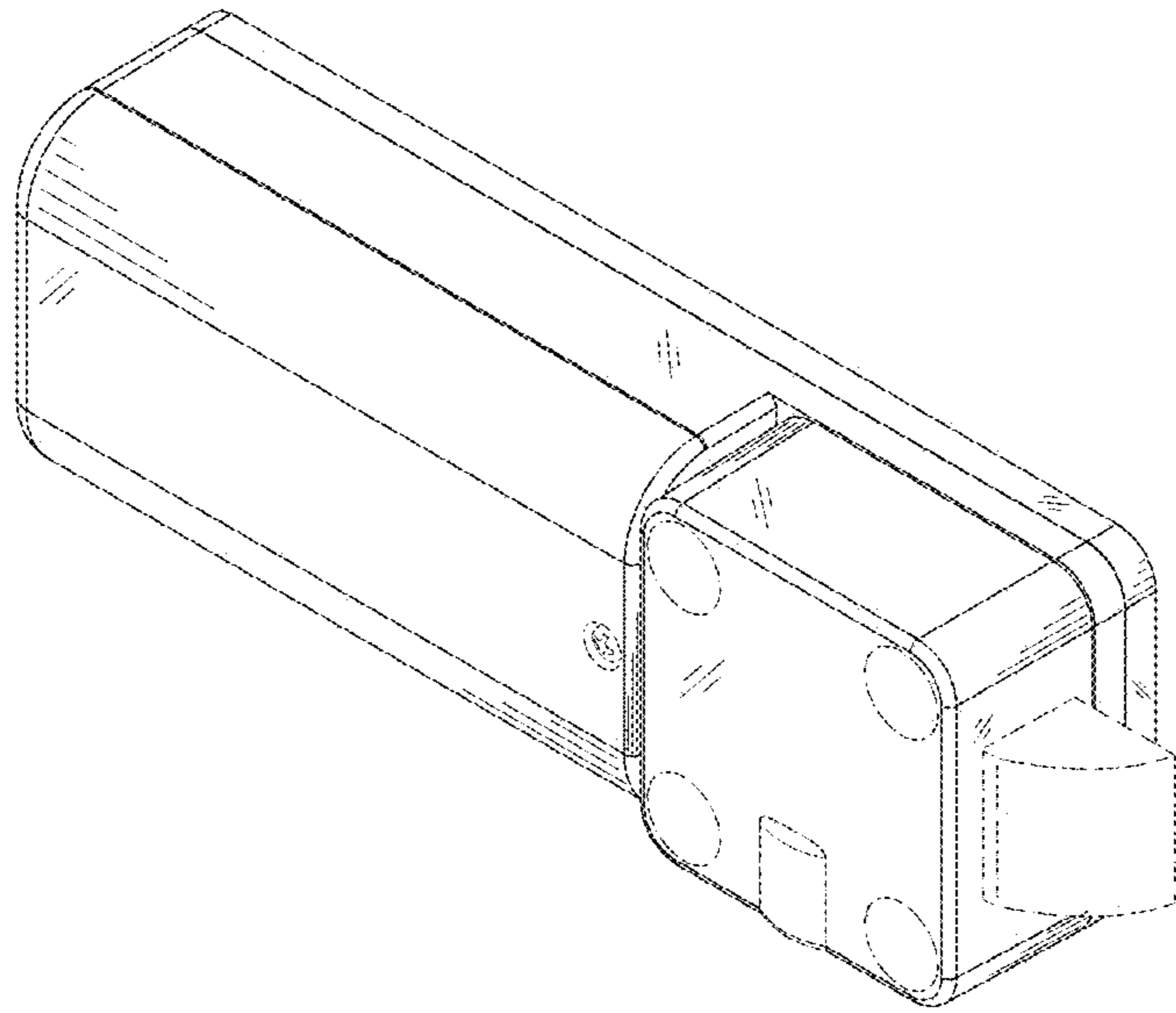


FIG. 22

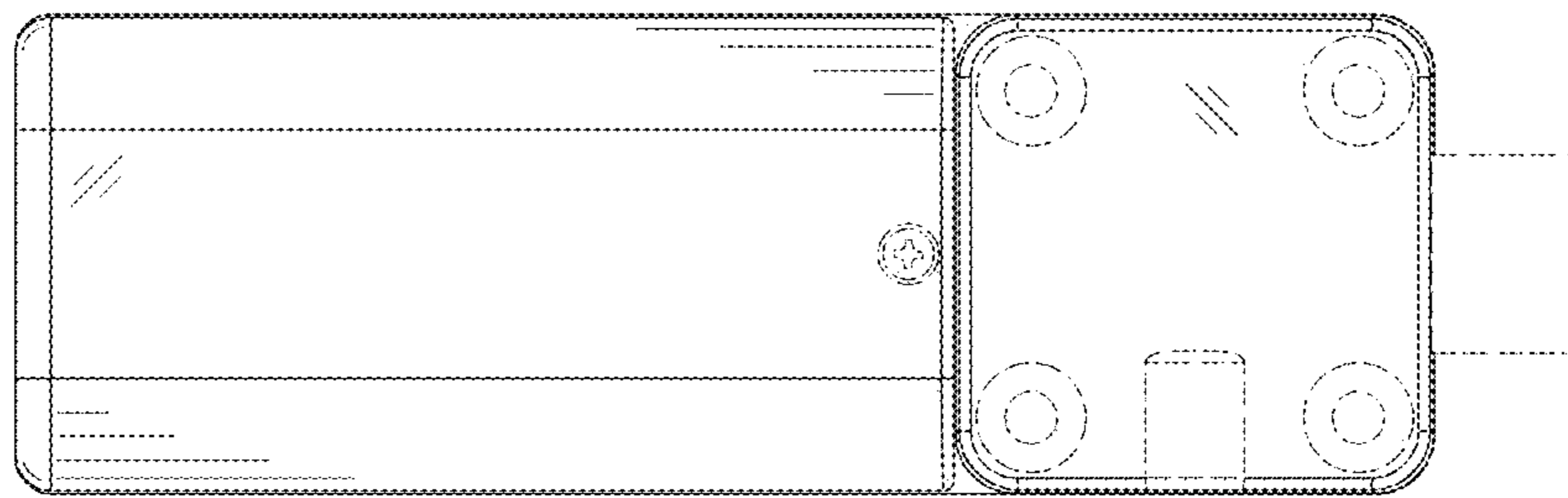


FIG. 23

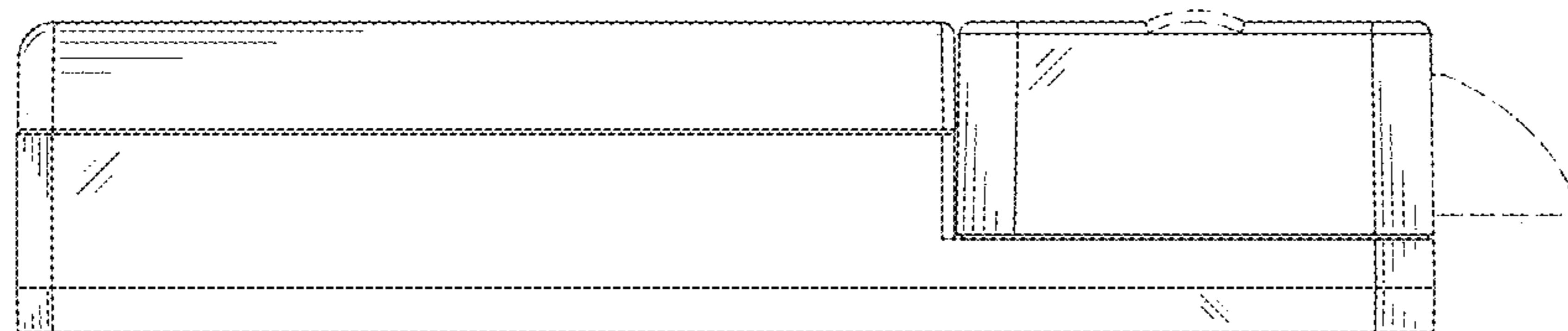


FIG. 24

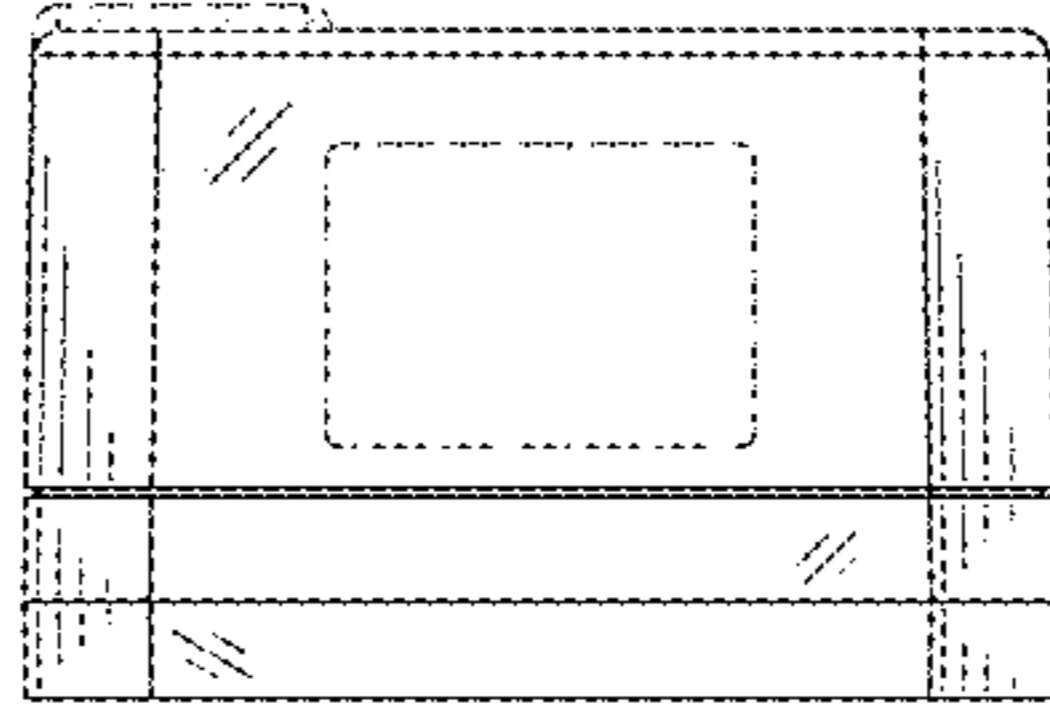


FIG. 25

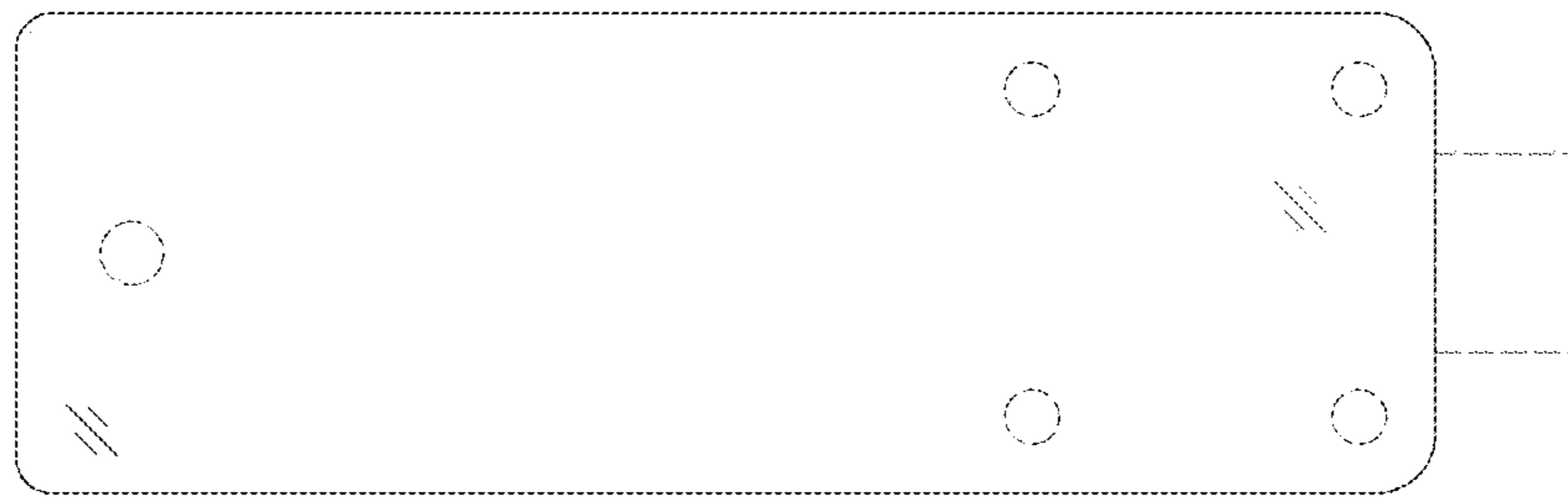


FIG. 26

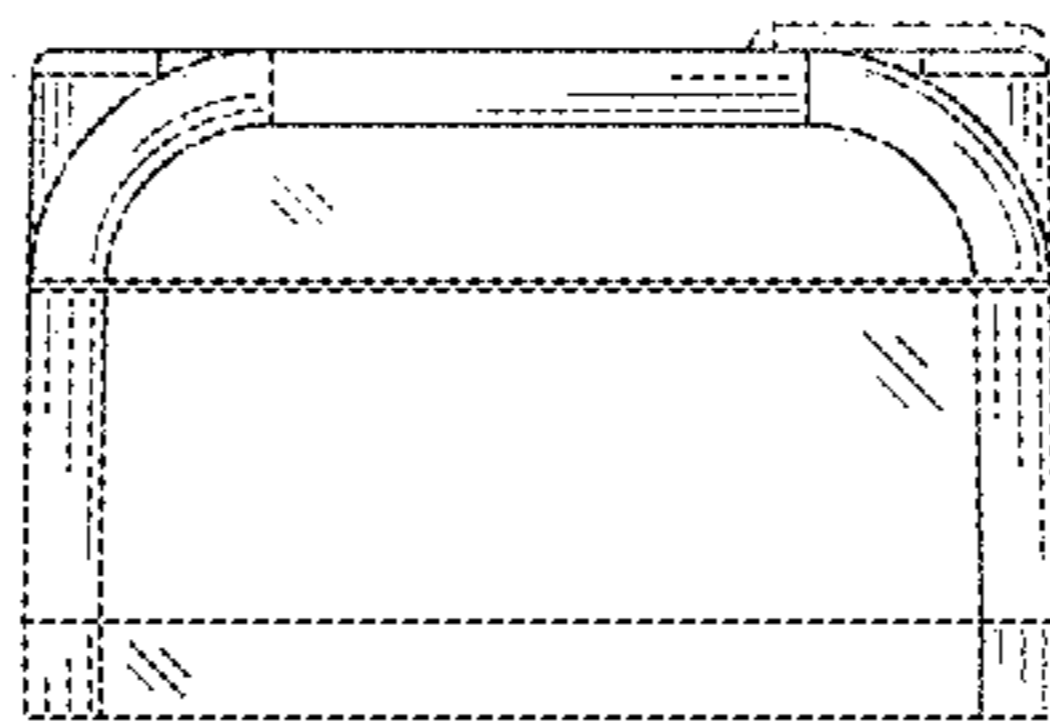


FIG. 27

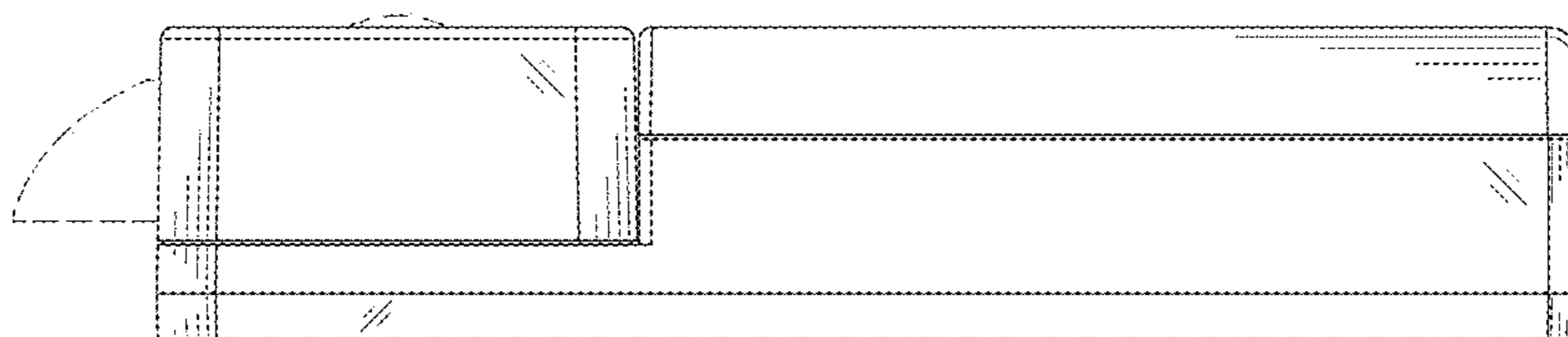


FIG. 28