



US00D934656S

(12) **United States Design Patent**
Cosby

(10) **Patent No.:** **US D934,656 S**

(45) **Date of Patent:** **** Nov. 2, 2021**

- (54) **HINGE**
- (71) Applicant: **D & D Group Pty Ltd**, Frenchs Forest (AU)
- (72) Inventor: **Scott Anthony Cosby**, Narraweena (AU)
- (73) Assignee: **D & D Group Pty Ltd**, Frenchs Forest (AU)

6,721,992 B2 * 4/2004 Cotton E05D 11/0054
16/250
D584,130 S * 1/2009 Bertani D8/328
D635,433 S * 4/2011 Le D8/327
D649,009 S * 11/2011 Caffin D8/323
8,151,414 B2 * 4/2012 Baudasse B64G 1/222
16/227
D661,173 S * 6/2012 Caffin D8/323
D673,024 S * 12/2012 Caffin D8/323
D719,009 S * 12/2014 Russo D8/323
D719,011 S * 12/2014 Russo D8/323

(Continued)

(**) Term: **15 Years**

Primary Examiner — Cynthia R Underwood

(21) Appl. No.: **29/717,186**

(74) *Attorney, Agent, or Firm* — Kelly & Kelley, LLP

(22) Filed: **Dec. 16, 2019**

(57) **CLAIM**

The ornamental design for a hinge, as shown and described.

(30) **Foreign Application Priority Data**

DESCRIPTION

Dec. 12, 2019 (AU) 201917109

(51) **LOC (13) Cl.** **08-06**

(52) **U.S. Cl.**
USPC **D8/323**

(58) **Field of Classification Search**
USPC D8/323, 327, 328, 329; 16/250, 251
CPC .. E05D 1/00; E05D 11/06; E05D 5/11; E05D
3/02; E05D 1/02; E05D 11/082; E05D
5/12; A47K 13/12
See application file for complete search history.

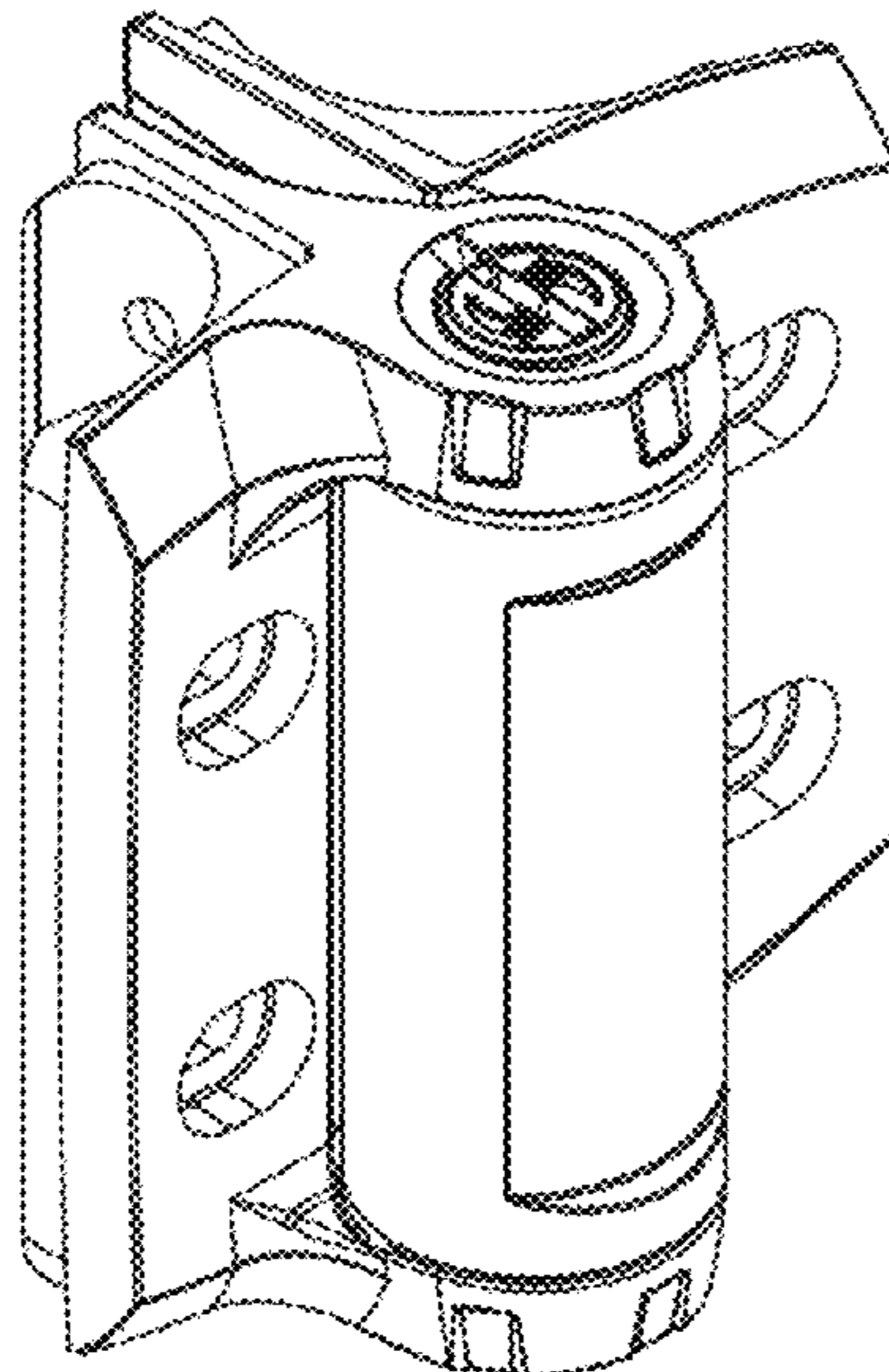
FIG. 1 is a perspective view of a first embodiment of a hinge embodying my new design;
FIG. 2 is an opposite perspective view of the hinge of FIG. 1;
FIG. 3 is a front view of the hinge of FIG. 1;
FIG. 4 is a side view of the hinge of FIG. 1;
FIG. 5 is an opposite side view of the hinge of FIG. 1;
FIG. 6 is a plan view of the hinge of FIG. 1;
FIG. 7 is a bottom view of the hinge of FIG. 1;
FIG. 8 is a perspective view of a second embodiment of a hinge;
FIG. 9 is an opposite perspective view of the hinge of FIG. 8;
FIG. 10 is a front view of the hinge of FIG. 8;
FIG. 11 is a side view of the hinge of FIG. 8;
FIG. 12 is an opposite side view of the hinge of FIG. 8;
FIG. 13 is a plan view of the hinge of FIG. 8; and,
FIG. 14 is a bottom view of the hinge of FIG. 8.
The broken lines represent portions of the structure or environment that form no part of the claim.

(56) **References Cited**

U.S. PATENT DOCUMENTS

4,163,303 A * 8/1979 Hanna E05D 1/02
16/227
4,630,333 A * 12/1986 Vickers E05D 11/082
16/338
5,412,842 A * 5/1995 Riblett E05D 5/12
16/250
5,765,263 A * 6/1998 Bolinas E05D 7/0423
16/342
D436,515 S * 1/2001 Sonntag D8/328

1 Claim, 14 Drawing Sheets



(56)

References Cited

U.S. PATENT DOCUMENTS

D747,949 S *	1/2016	Lindo	D8/323
D842,679 S *	3/2019	Todd, Jr.	D8/323
D859,127 S *	9/2019	Todd, Jr.	D8/323
D919,407 S *	5/2021	Lindo	D8/323
2018/0371813 A1 *	12/2018	Cherry	E05D 11/1071

* cited by examiner

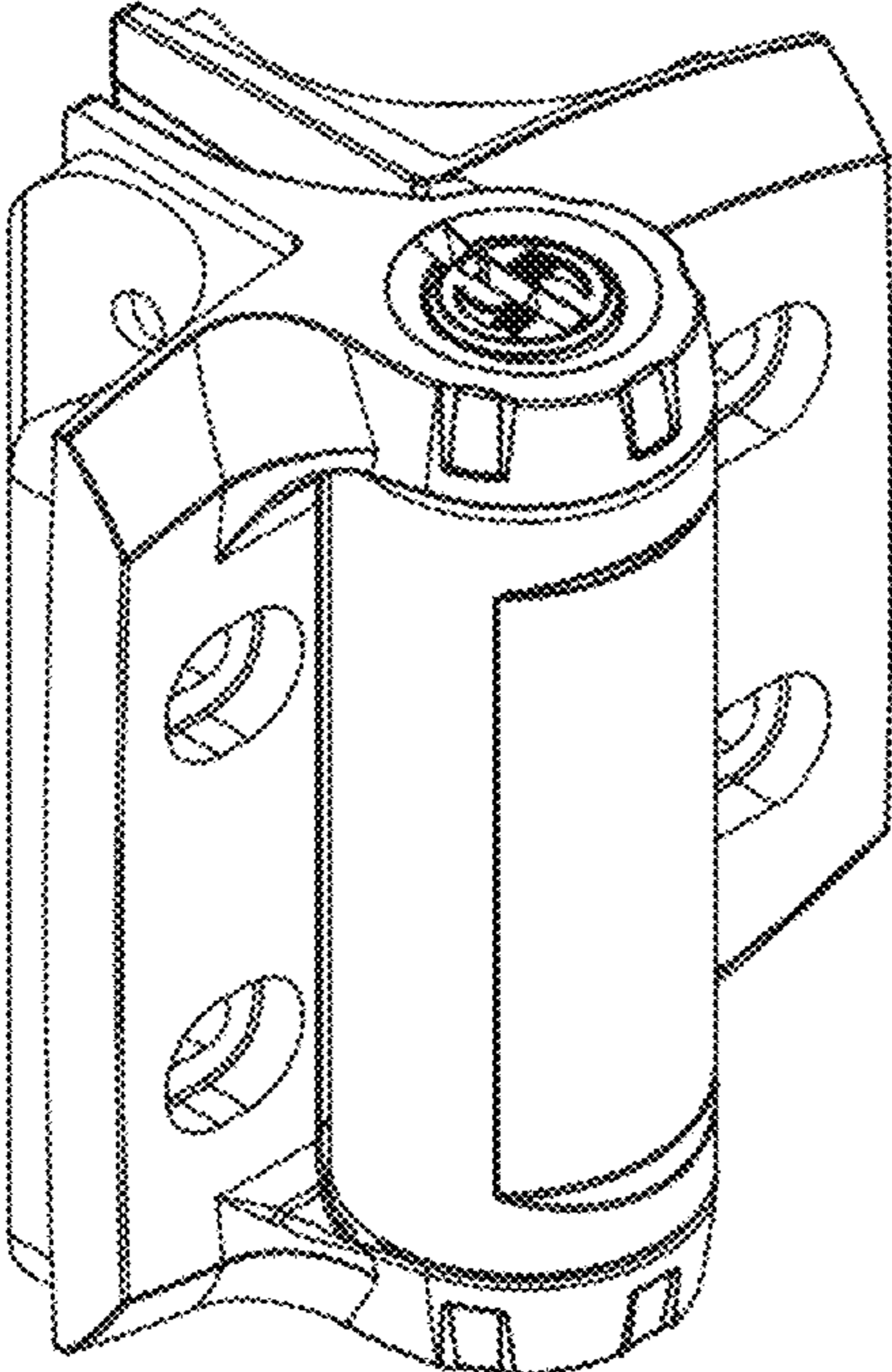


Fig. 1

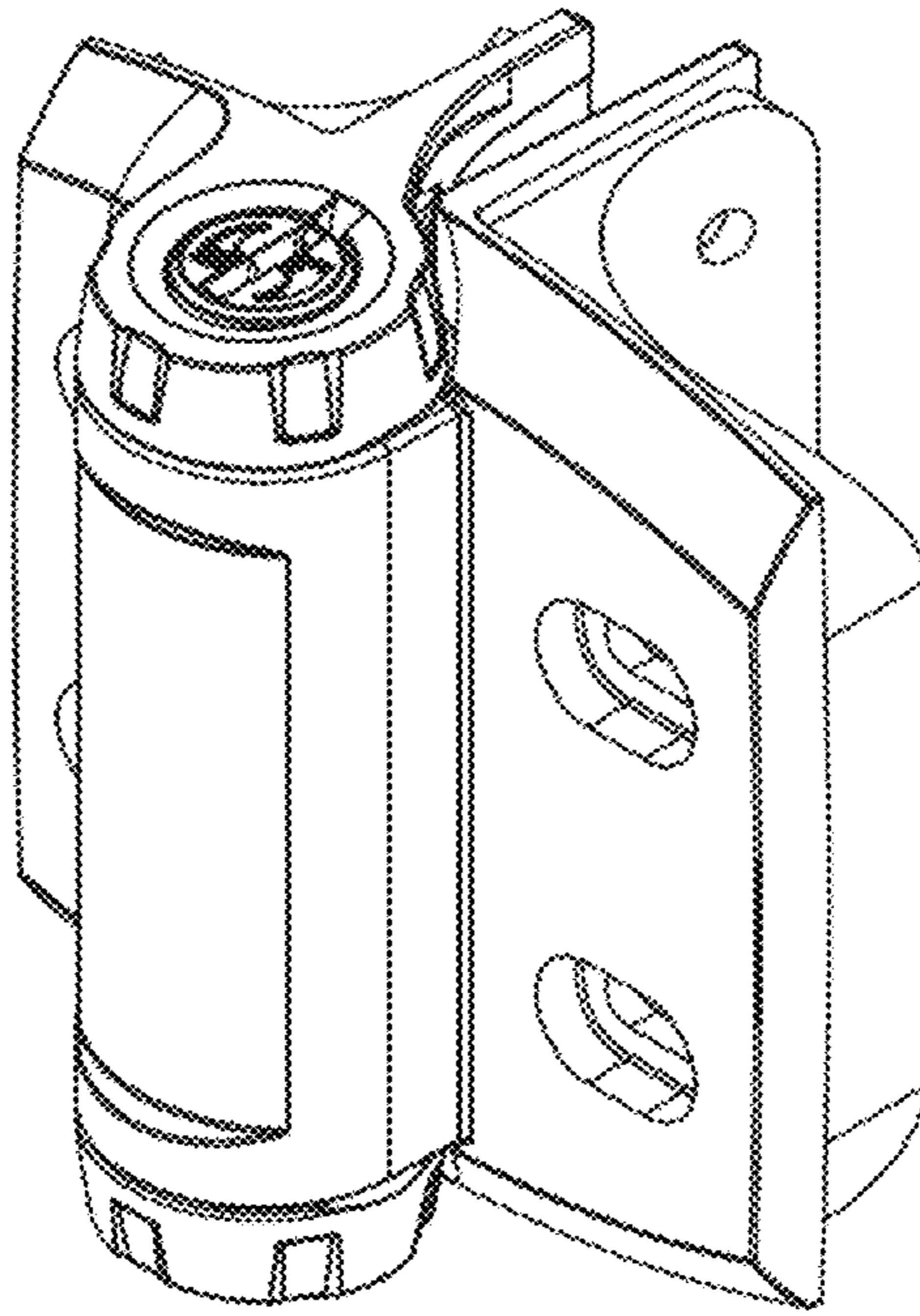


Fig. 2

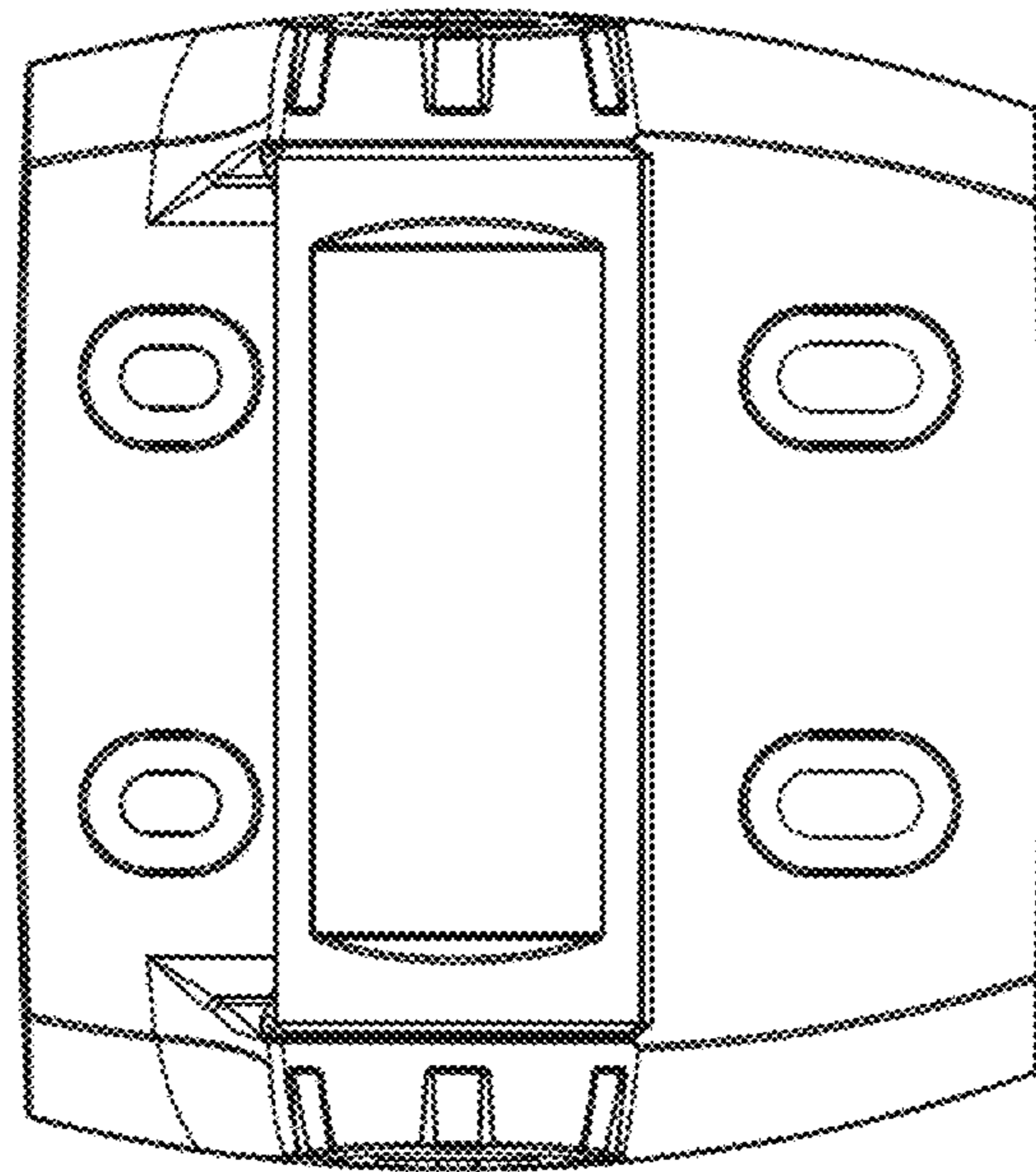


Fig. 3

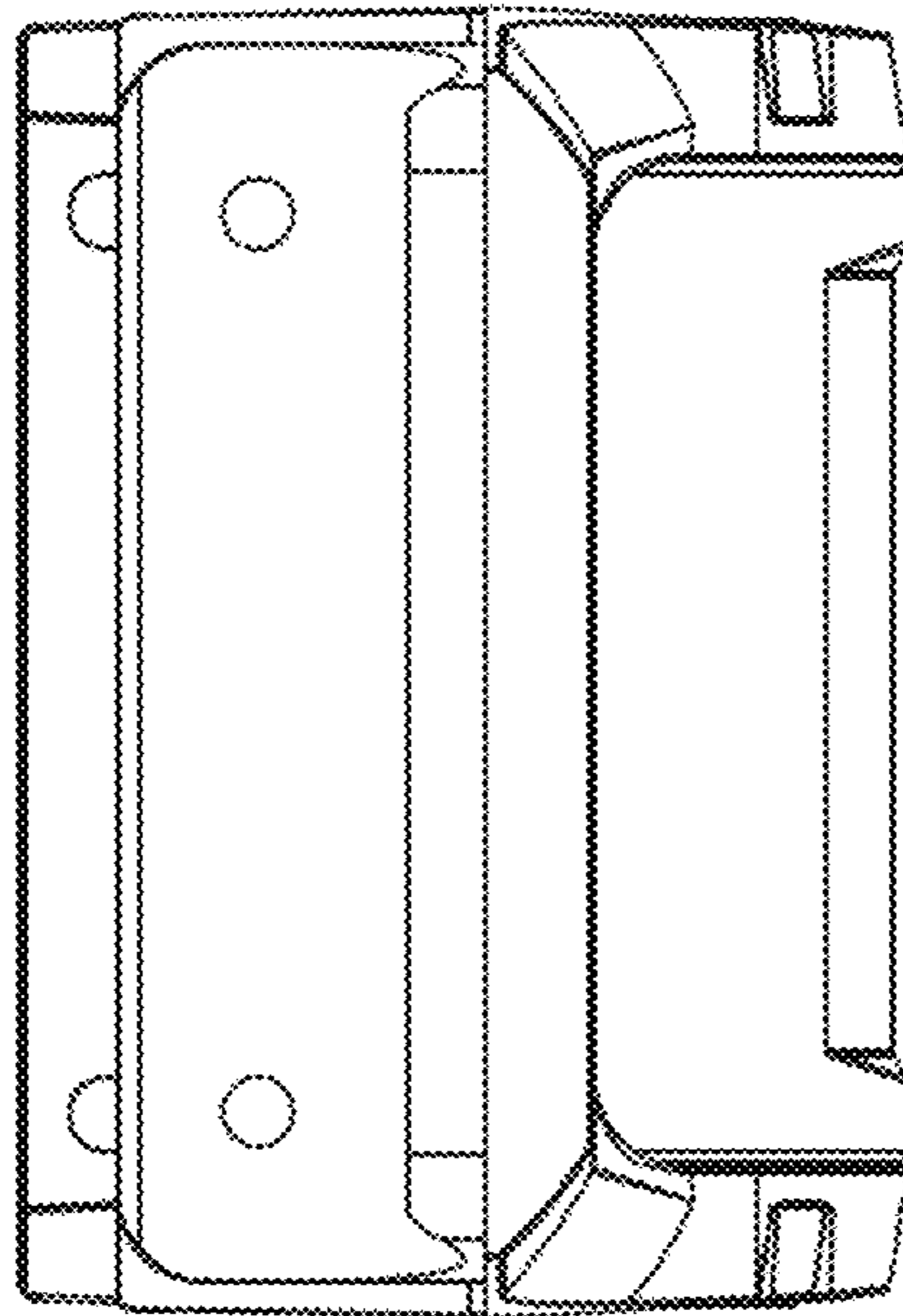


Fig. 4

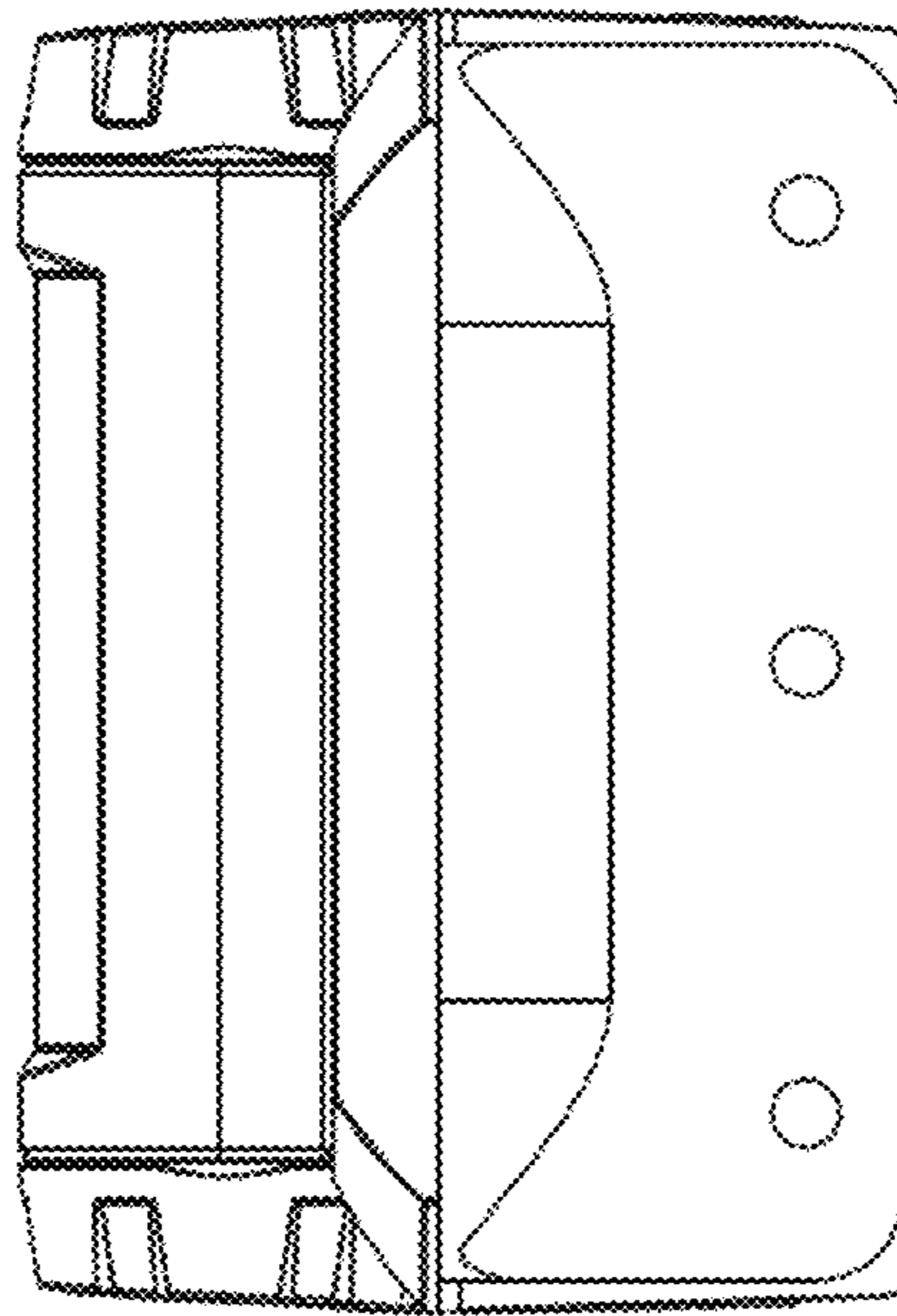


Fig. 5

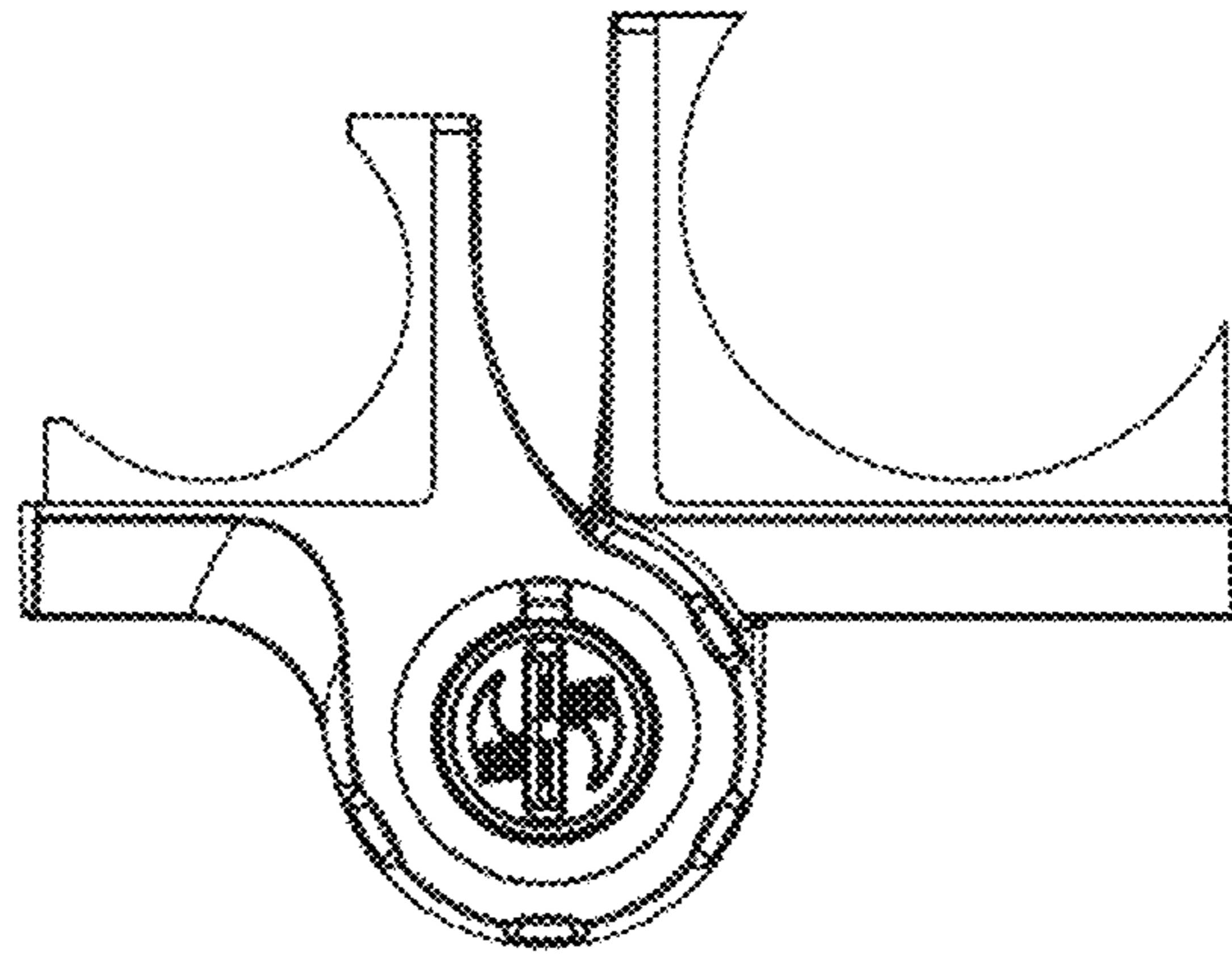


Fig. 6

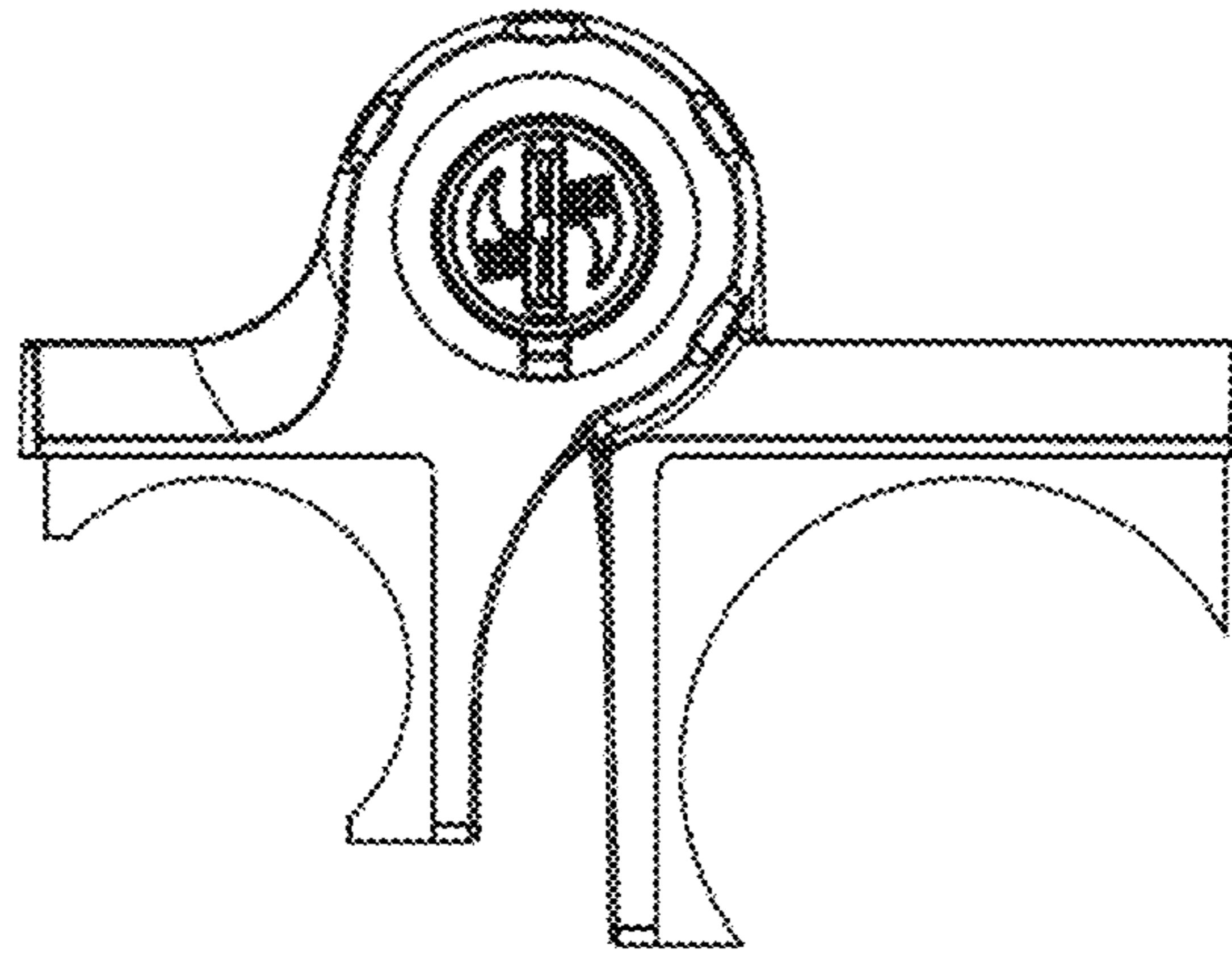


Fig. 7

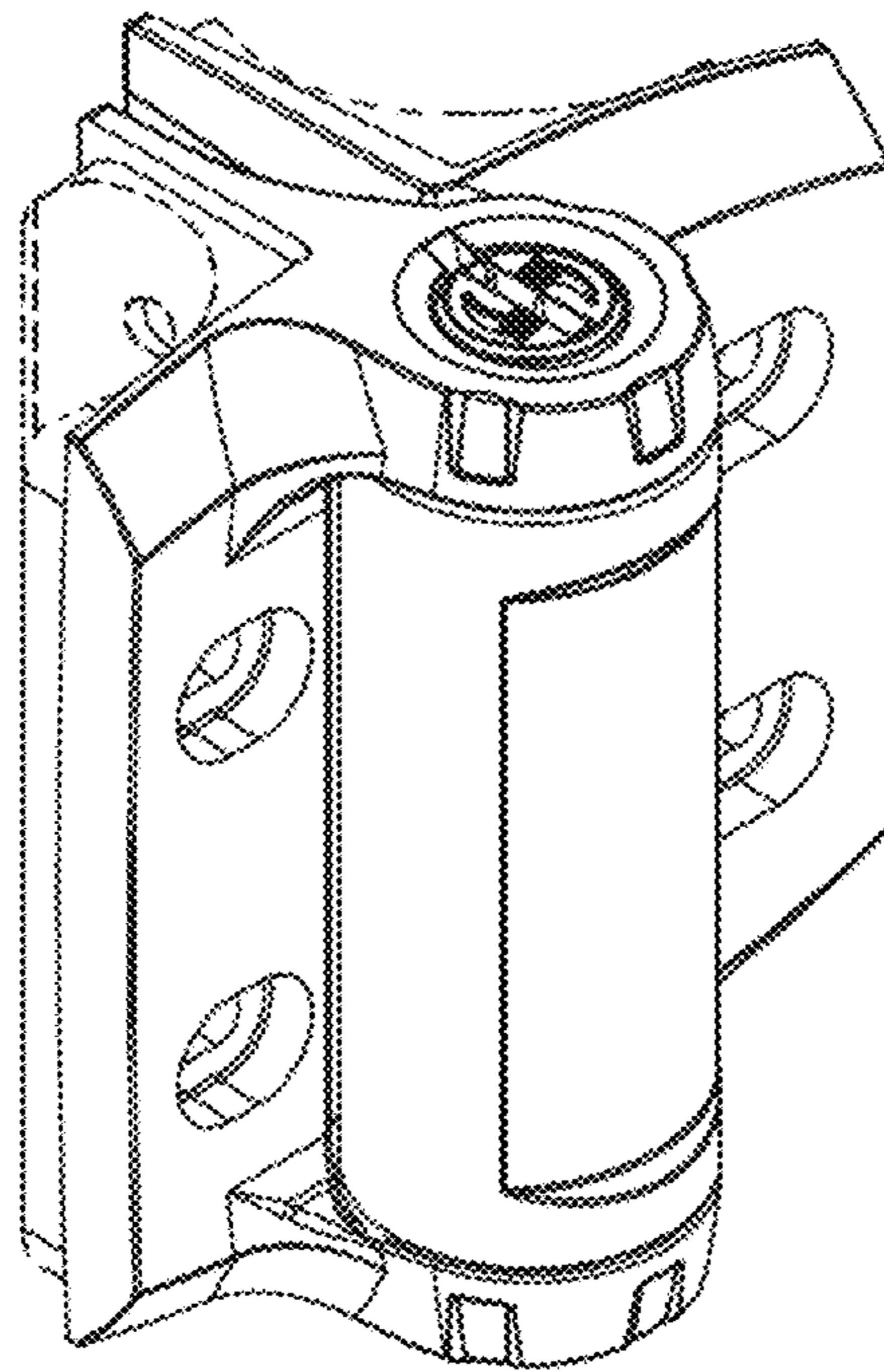


Fig. 8

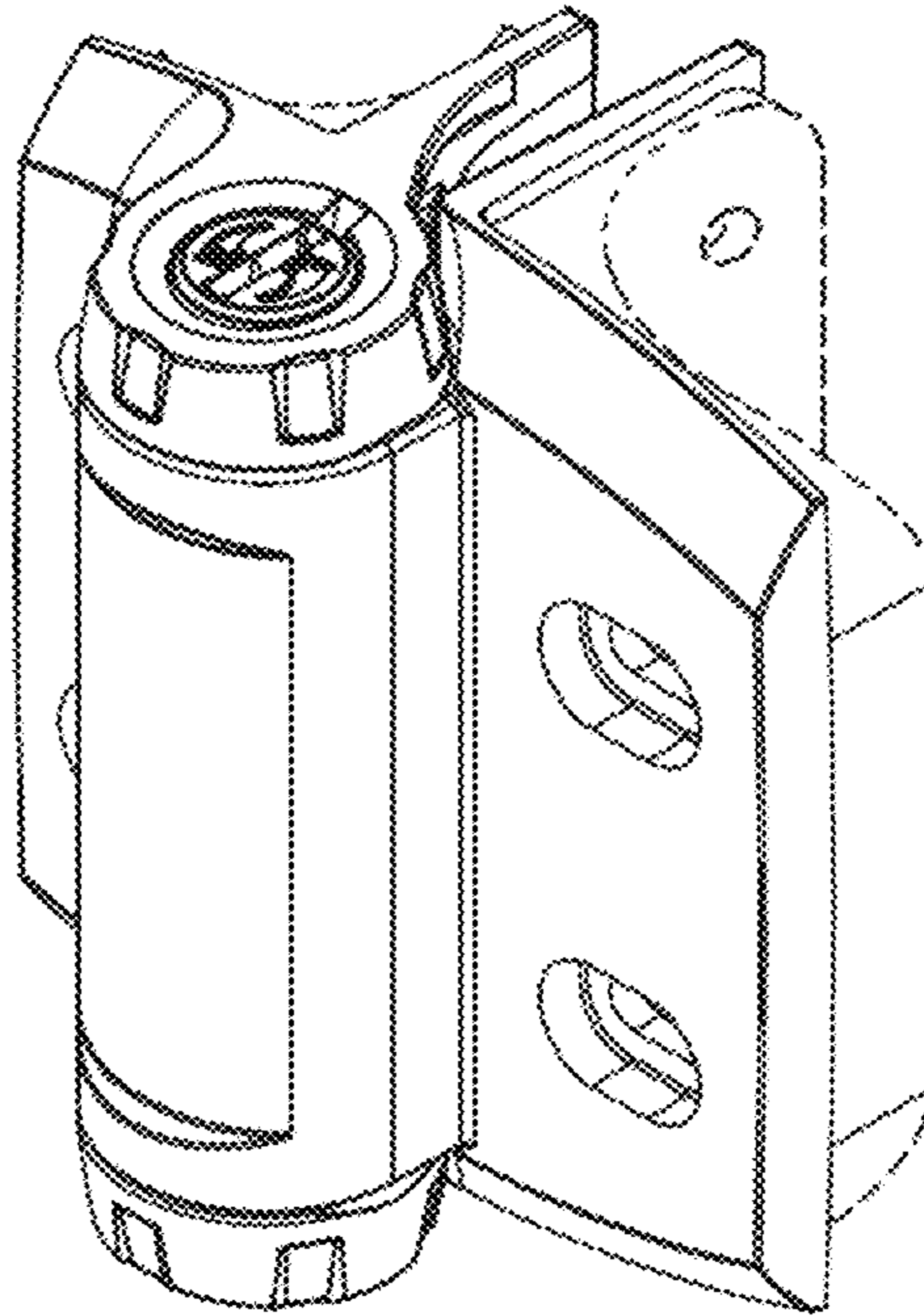


Fig. 9

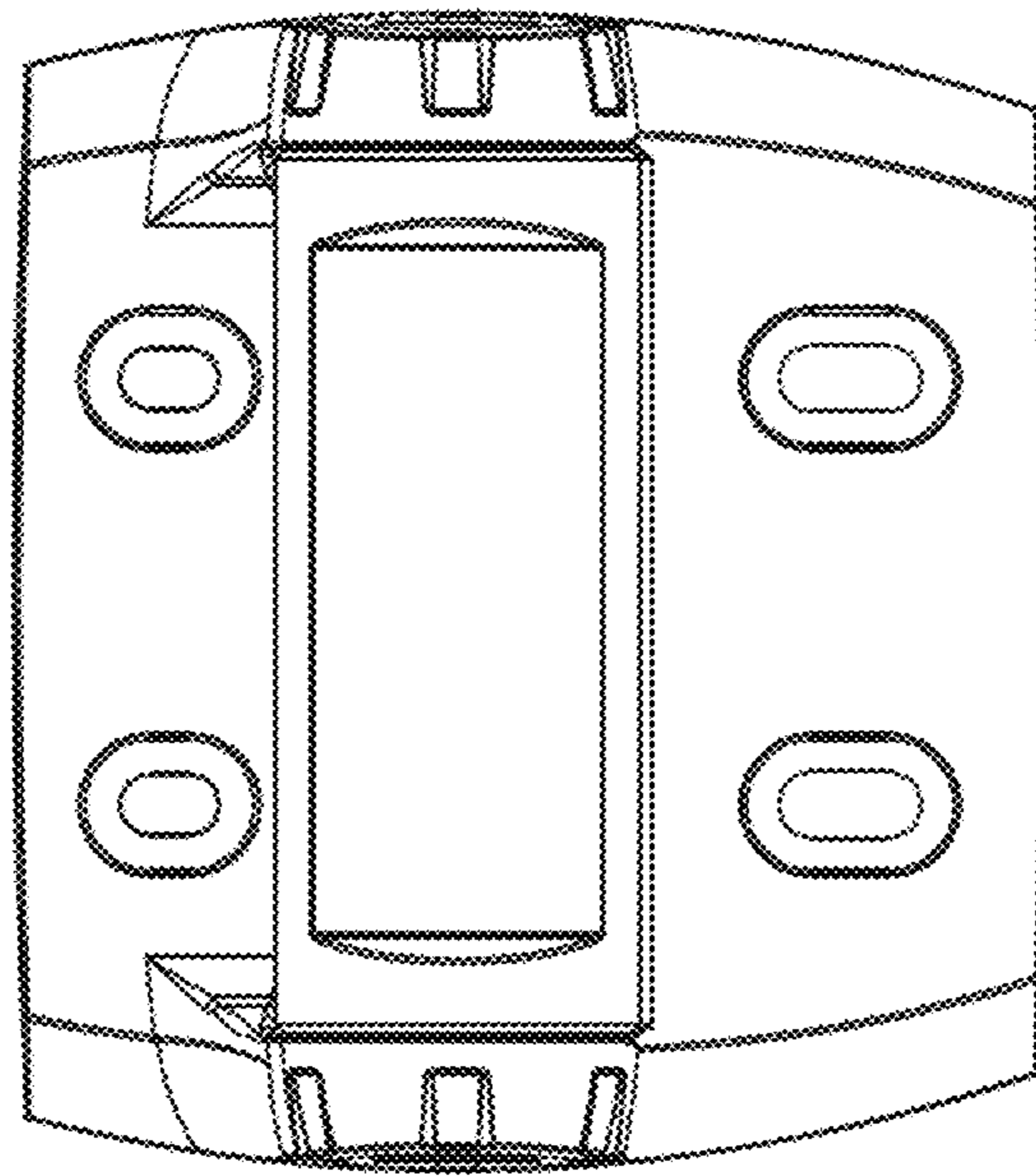


Fig. 10

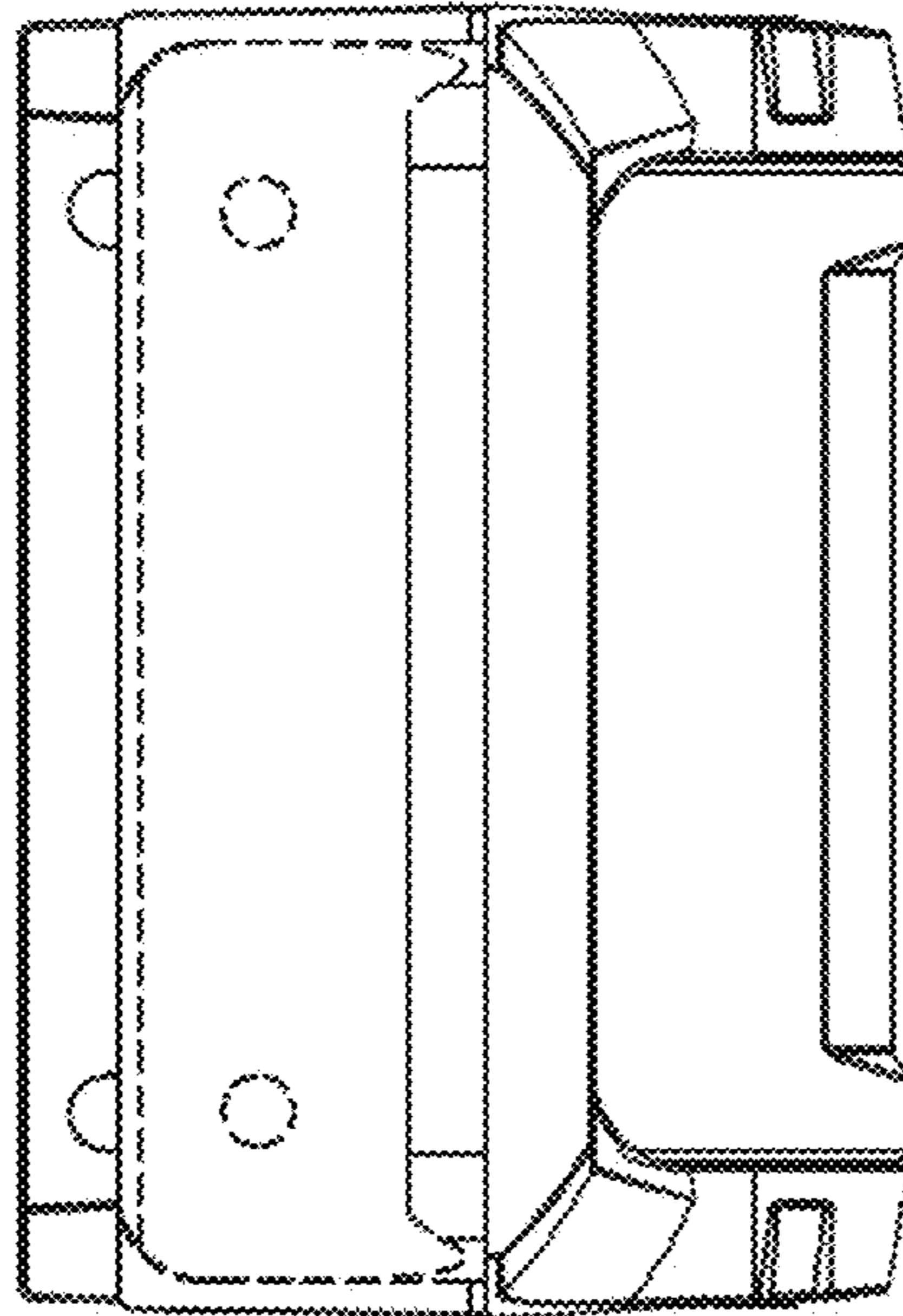


Fig. 11

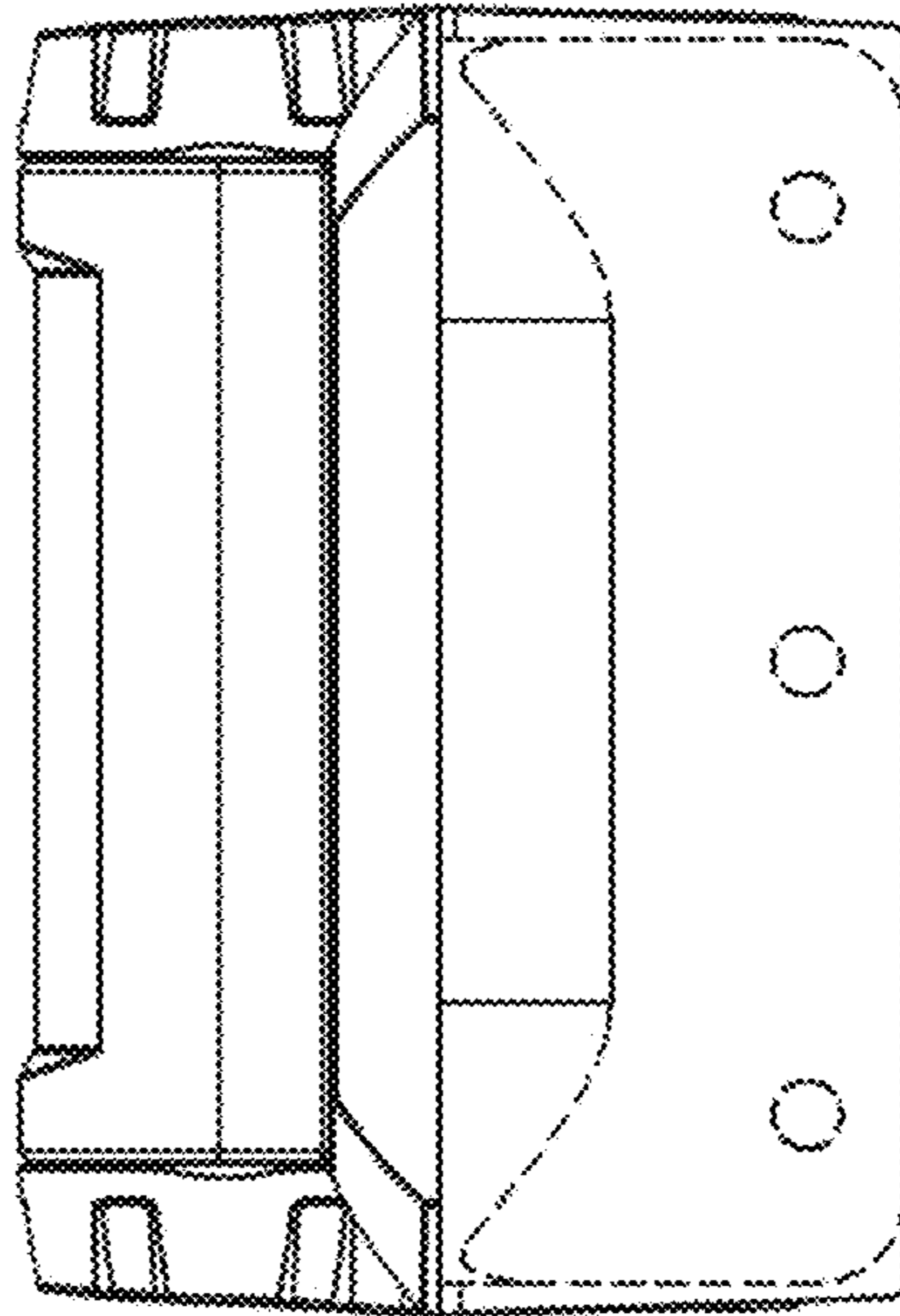


Fig. 12

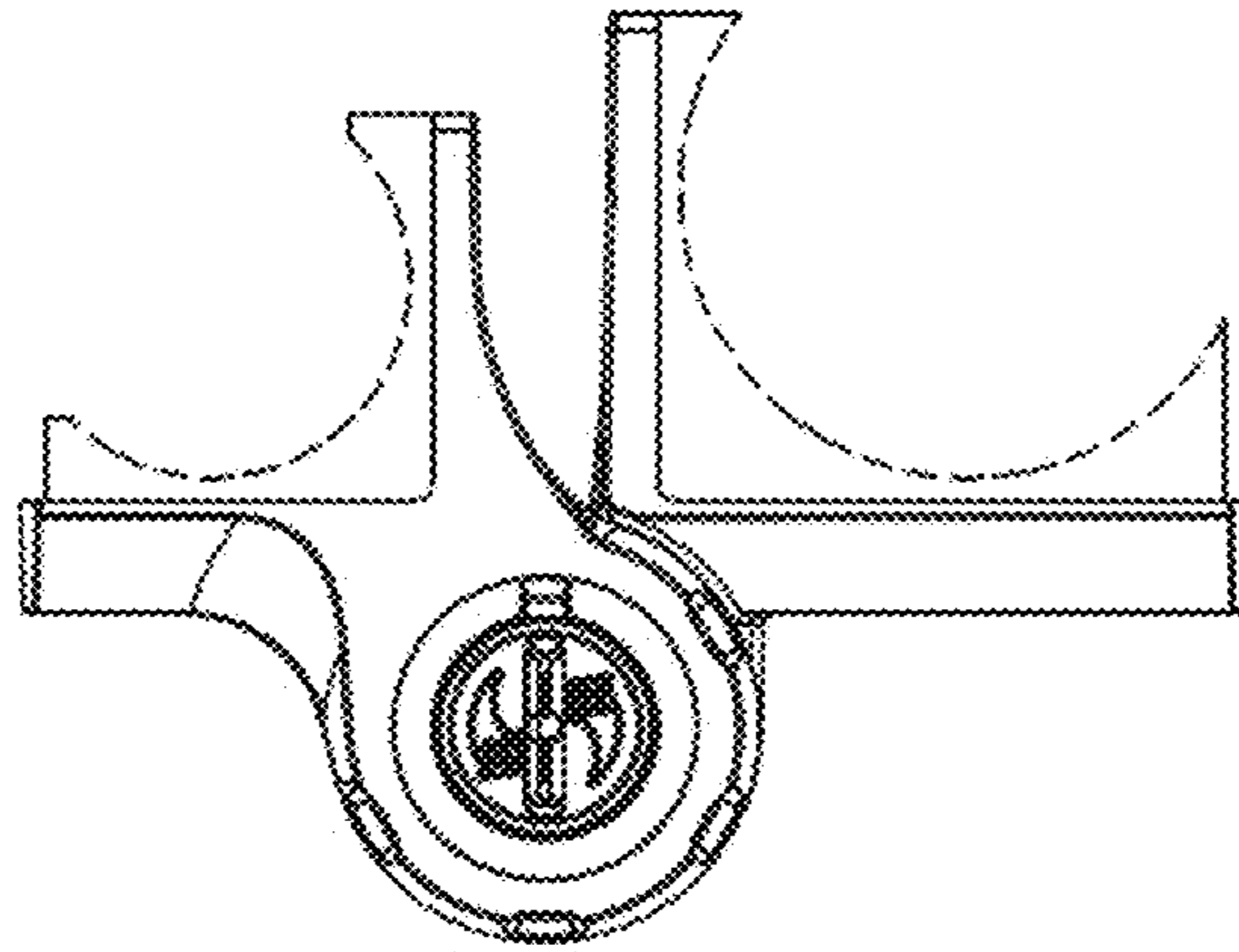


Fig. 13

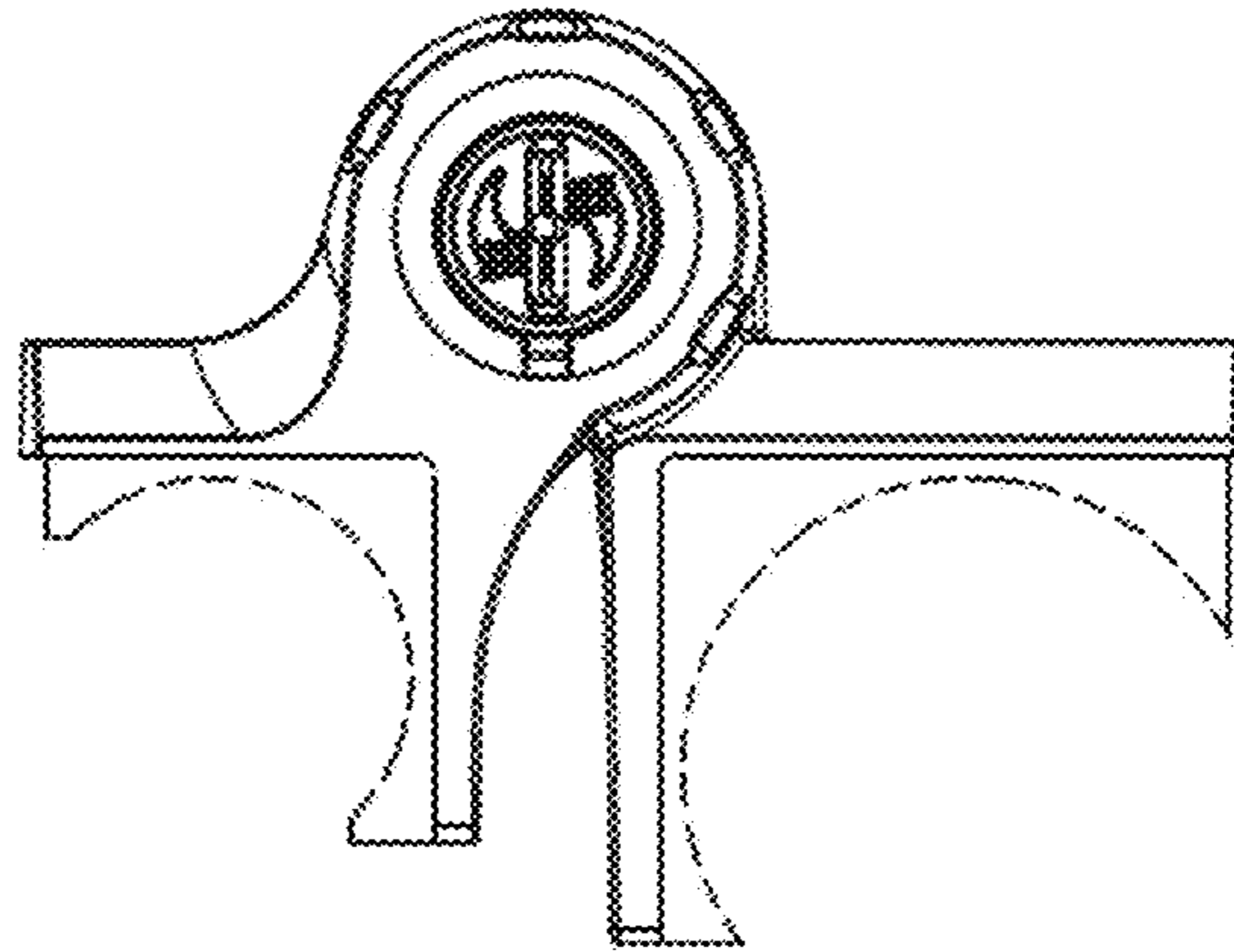


Fig. 14