



US00D934655S

(12) **United States Design Patent** (10) **Patent No.:** **US D934,655 S**  
**Hsu** (45) **Date of Patent:** **\*\* Nov. 2, 2021**

(54) **HANDLE**

(71) Applicant: **L&F PLASTICS, CO., LTD.**, Miaoli County (TW)

(72) Inventor: **Mu-Chuan Hsu**, Miaoli County (TW)

(73) Assignee: **L&F PLASTICS, CO., LTD.**, Miaoli County (TW)

(\*\*) Term: **15 Years**

(21) Appl. No.: **29/736,151**

(22) Filed: **May 28, 2020**

(51) **LOC (13) Cl.** ..... **08-06**

(52) **U.S. Cl.**  
USPC ..... **D8/315**

(58) **Field of Classification Search**  
USPC ..... D8/315, 316, 317, 318, 319, 320;  
D6/549; 15/235.5

CPC ..... B25G 3/00  
See application file for complete search history.

(56) **References Cited**

**U.S. PATENT DOCUMENTS**

D353,697 S	*	12/1994	Breen	.....	D34/10
D397,604 S	*	9/1998	Libby	.....	D8/301
D448,647 S	*	10/2001	Goldsbury	.....	D8/319
D452,130 S	*	12/2001	Richardson	.....	D8/319
D467,784 S	*	12/2002	Maier	.....	D8/301
D467,785 S	*	12/2002	Tsai	.....	D8/319
D470,389 S	*	2/2003	Richardson	.....	D8/319
D546,160 S	*	7/2007	Reithmeyer	.....	D8/301

D551,534 S	*	9/2007	Liang	.....	D8/301
D685,013 S	*	6/2013	Meda	.....	D15/89
D718,605 S	*	12/2014	Yang	.....	D8/315
D745,577 S	*	12/2015	Kim	.....	D15/89
D745,578 S	*	12/2015	Kim	.....	D15/89
D745,579 S	*	12/2015	Kim	.....	D15/89
D745,901 S	*	12/2015	Kim	.....	D15/89
D746,880 S	*	1/2016	Kim	.....	D15/89
D862,653 S	*	10/2019	Wieser	.....	D23/240
D910,414 S	*	2/2021	Ashurov	.....	D8/315
D921,063 S	*	6/2021	Lee	.....	D15/89

\* cited by examiner

*Primary Examiner* — Keli L Hill

*Assistant Examiner* — Harold E Blackwell, II

(74) *Attorney, Agent, or Firm* — Karin L. Williams; Alan D. Kamrath; Mayer & Williams PC

(57) **CLAIM**

The ornamental design for a handle, as shown and described.

**DESCRIPTION**

FIG. 1 is a perspective view of a handle showing my new design;

FIG. 2 is a front view thereof;

FIG. 3 is a rear view thereof;

FIG. 4 is a left side view thereof, and its right side view is the same as the left side view;

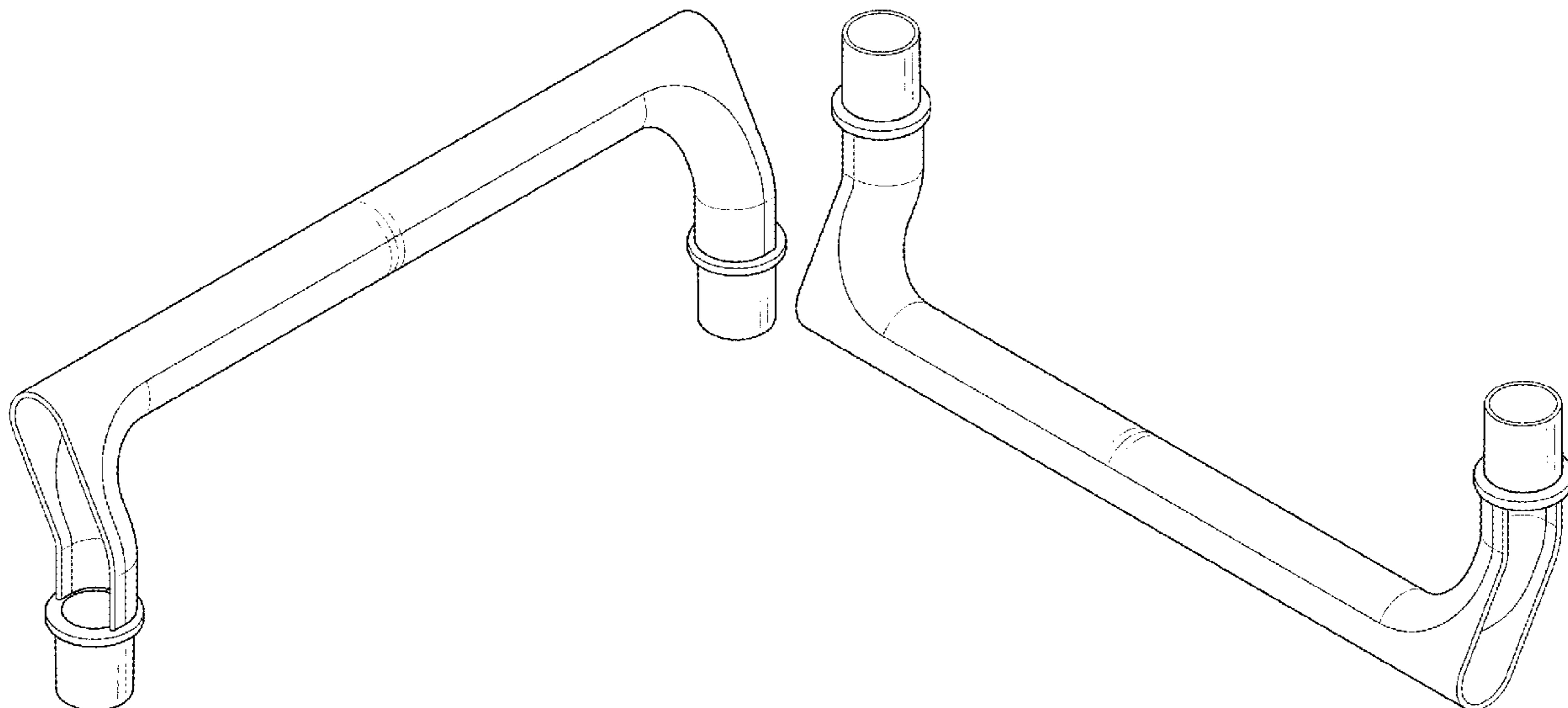
FIG. 5 is a top view thereof;

FIG. 6 is a bottom view thereof; and,

FIG. 7 is another perspective view thereof.

The broken lines in the drawings illustrate portions of the handle which form no part of the claimed design.

**1 Claim, 5 Drawing Sheets**



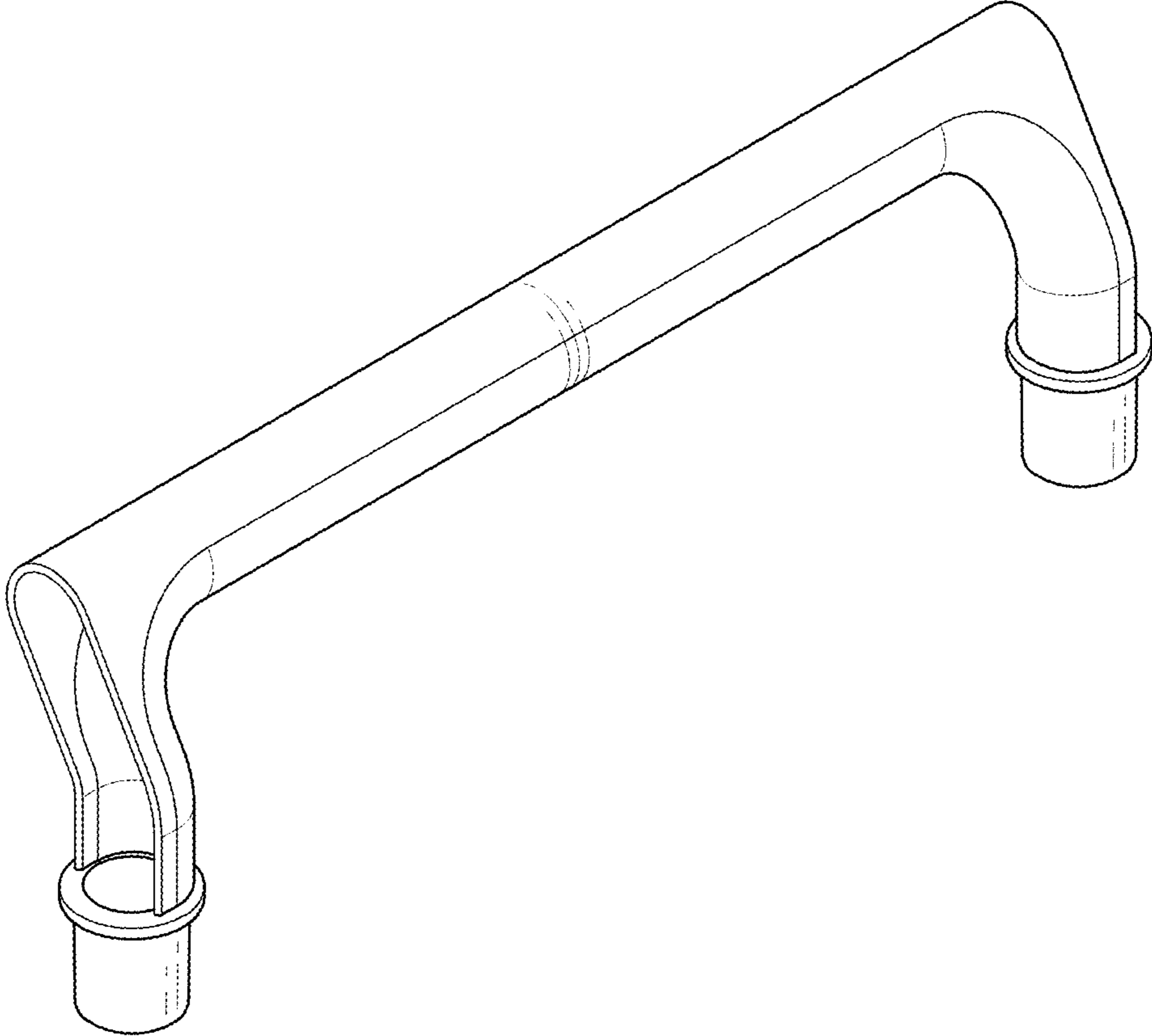


FIG. 1

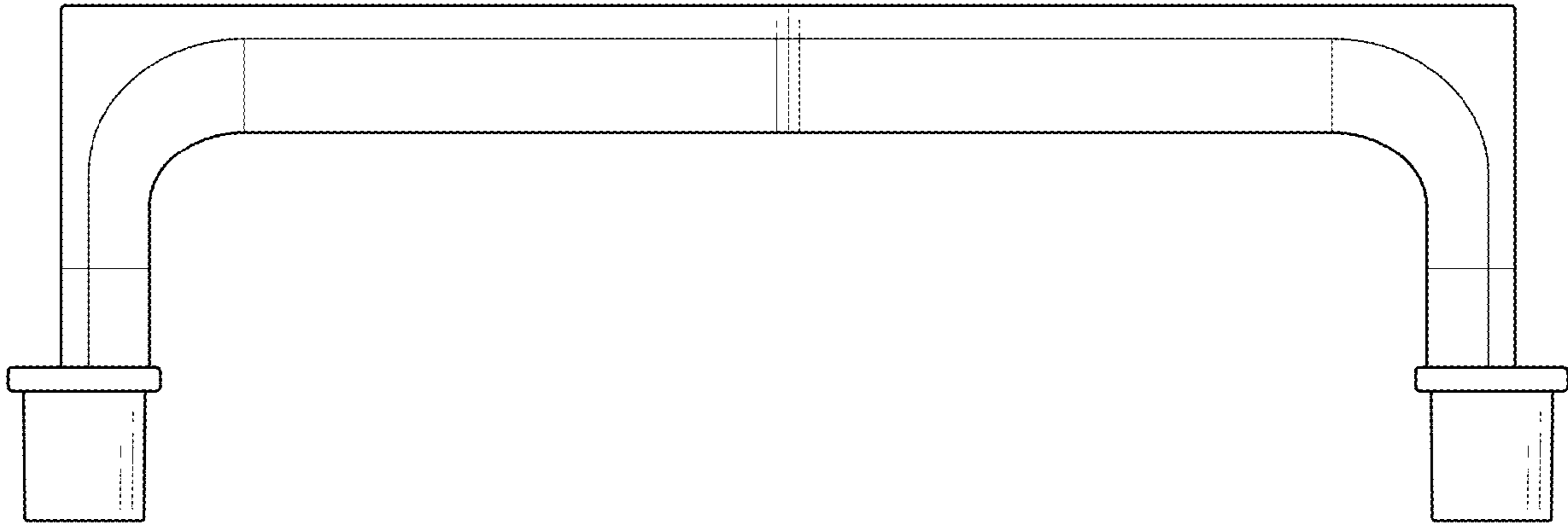


FIG. 2

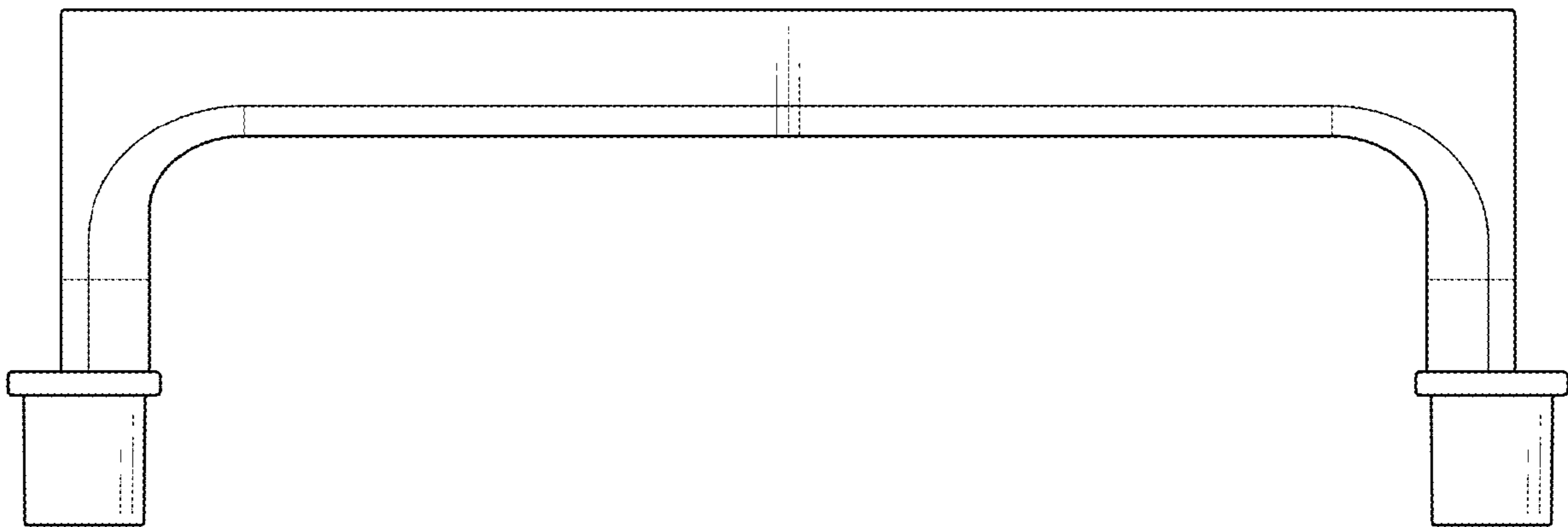


FIG. 3

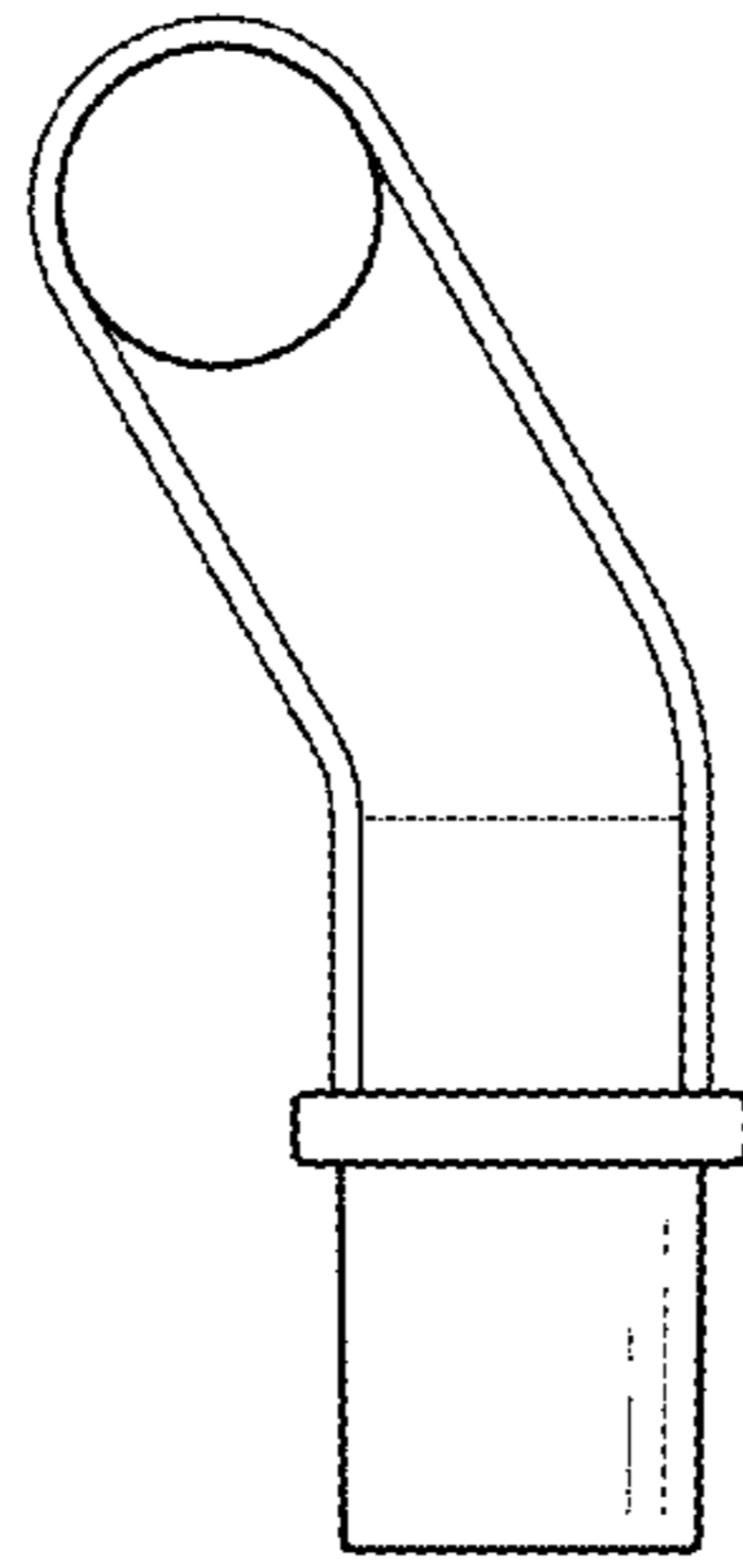


FIG. 4

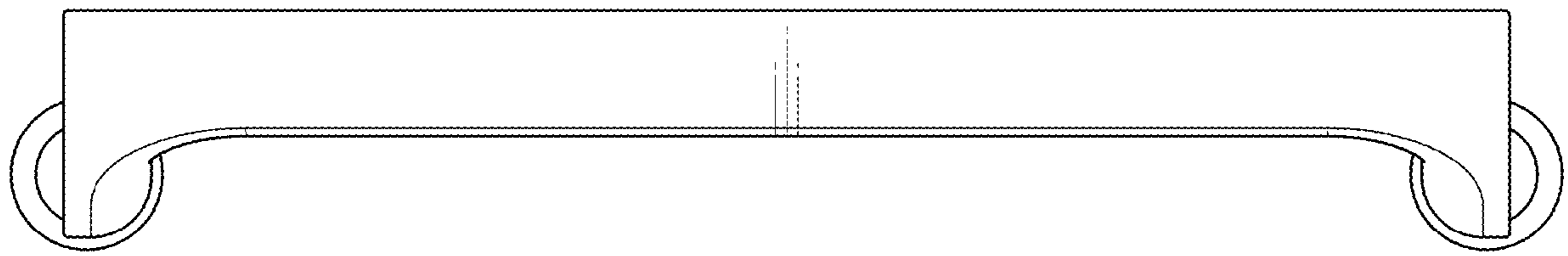


FIG. 5

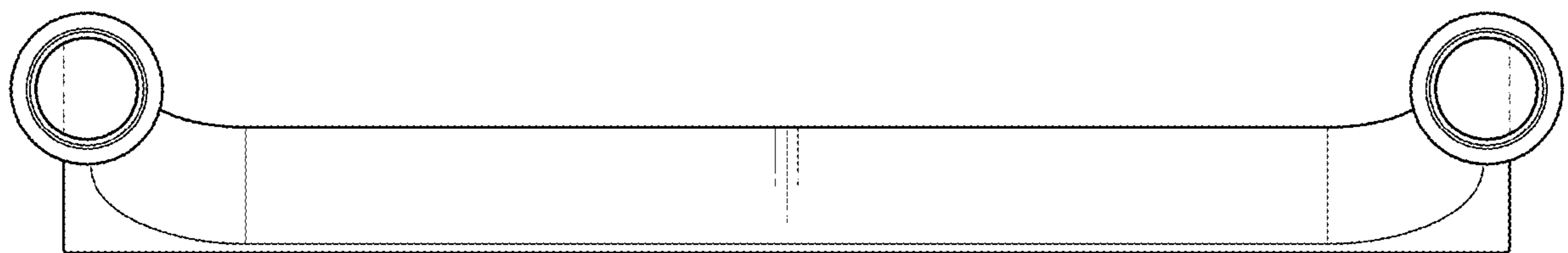


FIG. 6

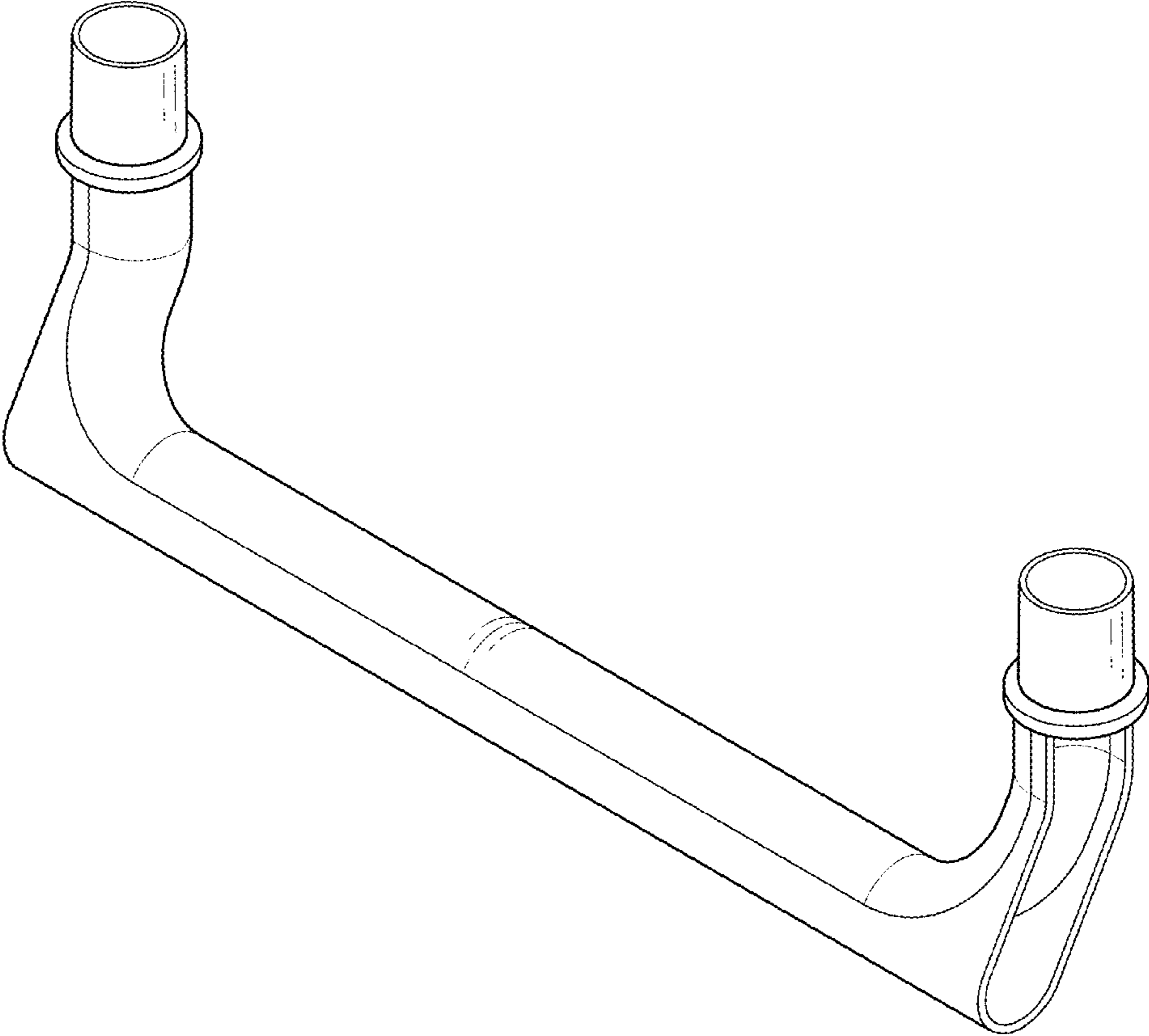


FIG. 7