



US00D934653S

(12) **United States Design Patent** (10) **Patent No.:** **US D934,653 S**  
**Syed** (45) **Date of Patent:** **\*\* Nov. 2, 2021**

(54) **ADA HANDLE FOR A POCKET DOOR LOCK**

(71) Applicant: **Linnea, LLC**, Suwanee, GA (US)

(72) Inventor: **Rafi Syed**, Suwanee, GA (US)

(\*\*) Term: **15 Years**

(21) Appl. No.: **29/748,120**

(22) Filed: **Aug. 27, 2020**

(51) **LOC (13) Cl.** ..... **08-06**

(52) **U.S. Cl.**  
USPC ..... **D8/302**; D8/331

(58) **Field of Classification Search**  
USPC ..... D8/300, 301, 302, 306, 313, 331, 336,  
D8/337, 338, 350, 352  
CPC ... Y10T 292/57; Y10T 16/44; Y10T 70/5155;  
Y10T 70/5832; Y10T 292/1047; Y10T  
16/458; Y10T 70/5757; Y10T 16/476;  
Y10T 70/8541; Y10T 70/5765; Y10T  
74/20732; Y10T 16/473; Y10T 292/1089;  
Y10T 292/865; Y10T 70/7305; Y10T  
292/097; Y10T 292/0938; Y10T 16/509;  
Y10T 292/0834; Y10T 292/1014; Y10T  
292/0959; Y10T 292/308; Y10T 70/489;  
Y10T 74/20876; Y10T 70/80; Y10T  
74/20828; Y10T 70/8459; Y10T  
74/20864; Y10T 292/1064

See application file for complete search history.

(56) **References Cited**

**U.S. PATENT DOCUMENTS**

4,177,656 A \* 12/1979 Davis ..... E05C 3/24  
292/216  
D312,201 S \* 11/1990 Gates ..... D8/336  
D408,711 S \* 4/1999 Bianco ..... D8/331

D433,920 S \* 11/2000 Chang ..... D8/331  
D439,496 S \* 3/2001 Stevens ..... D8/330  
D565,932 S \* 4/2008 Koros ..... D8/338  
D676,304 S \* 2/2013 Pickar ..... D8/302  
D690,578 S \* 10/2013 Smith ..... D8/331  
D789,772 S \* 6/2017 Kolonia ..... D8/343  
D806,517 S \* 1/2018 Kessler ..... D8/331  
D930,457 S \* 9/2021 Long ..... D8/331  
2003/0227176 A1 \* 12/2003 Belloma ..... E05B 63/185  
292/96  
2020/0002970 A1 \* 1/2020 Adriano ..... E05B 63/0056  
2020/0399926 A1 \* 12/2020 Wang ..... A45F 5/10

\* cited by examiner

*Primary Examiner* — Lauren R Calve

(74) *Attorney, Agent, or Firm* — The Sladkus Law Group

(57) **CLAIM**

The ornamental design for ADA handle for a pocket door lock, as shown and described.

**DESCRIPTION**

FIG. 1 is a perspective view of an ADA handle for a pocket door lock showing the new design, wherein the handle is in a locked position;

FIG. 2 is a perspective view thereof, showing the handle in an unlocked position;

FIG. 3 is a front view of FIG. 1;

FIG. 4 is a rear view thereof;

FIG. 5 is a right side view thereof;

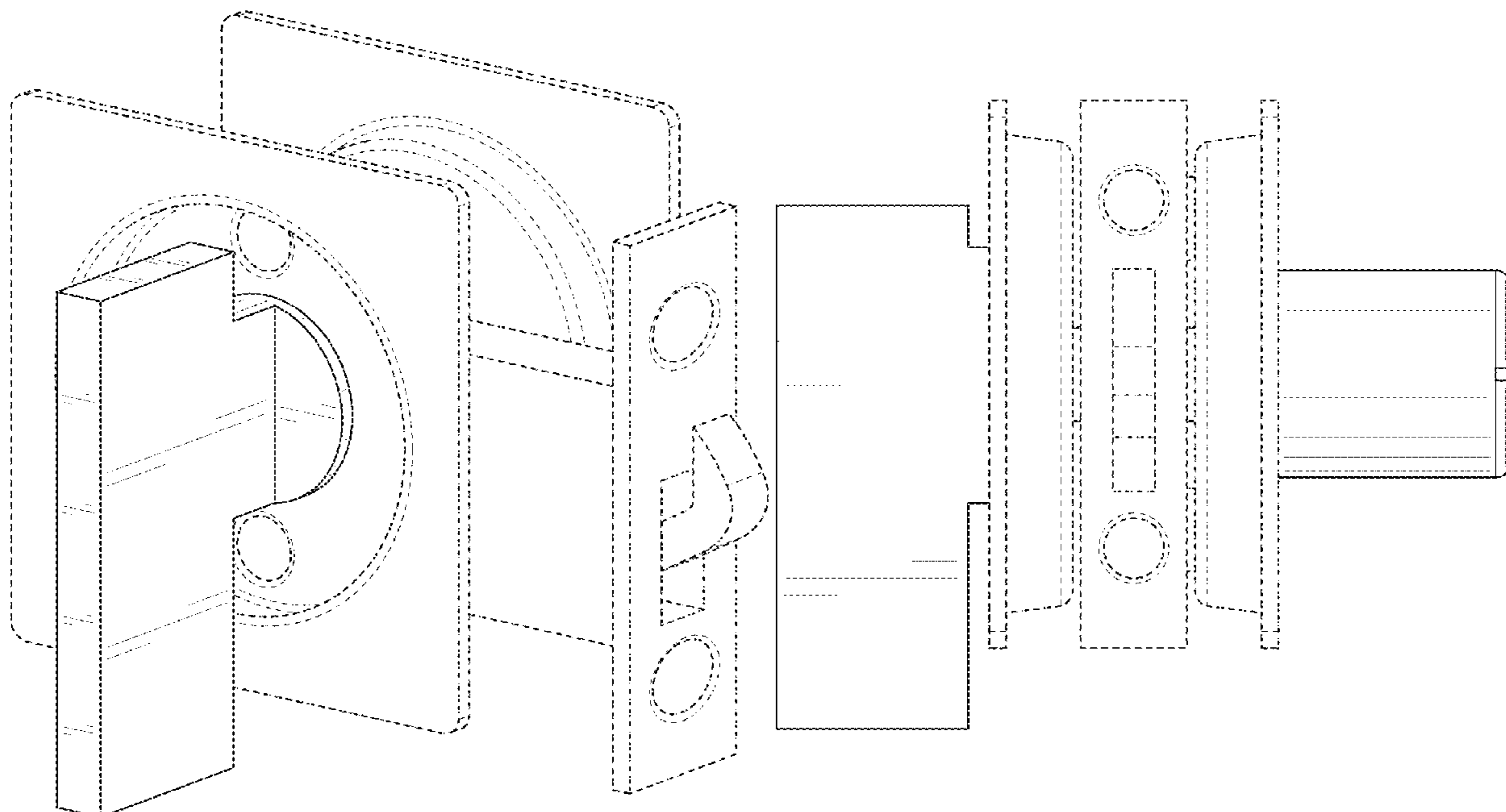
FIG. 6 is a left side view thereof;

FIG. 7 is a top view thereof; and,

FIG. 8 is a bottom view thereof.

The broken lines shown in FIGS. 1-8 are for the purpose of illustrating environmental structure and form no part of the claimed design.

**1 Claim, 8 Drawing Sheets**



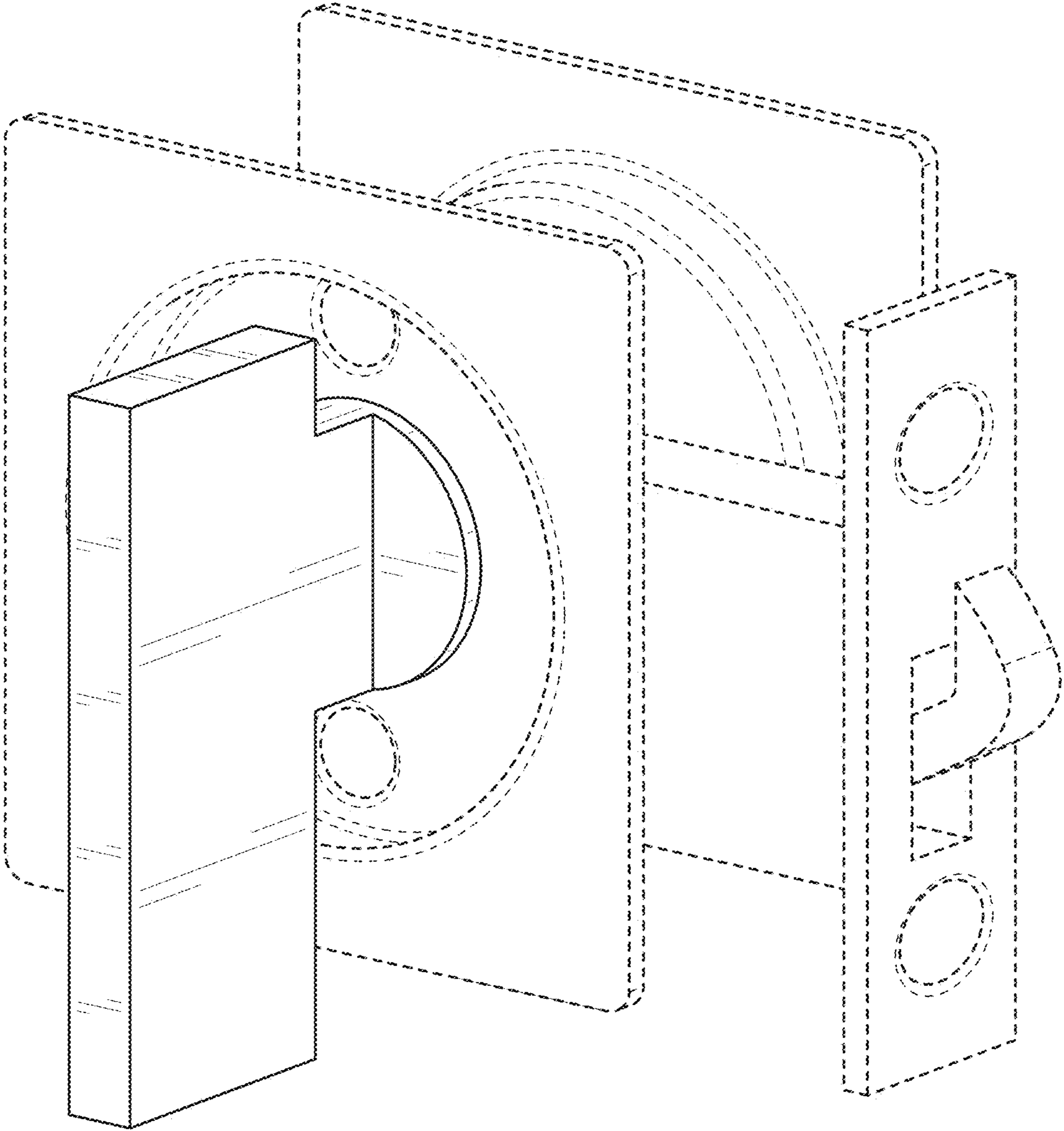


FIG. 1

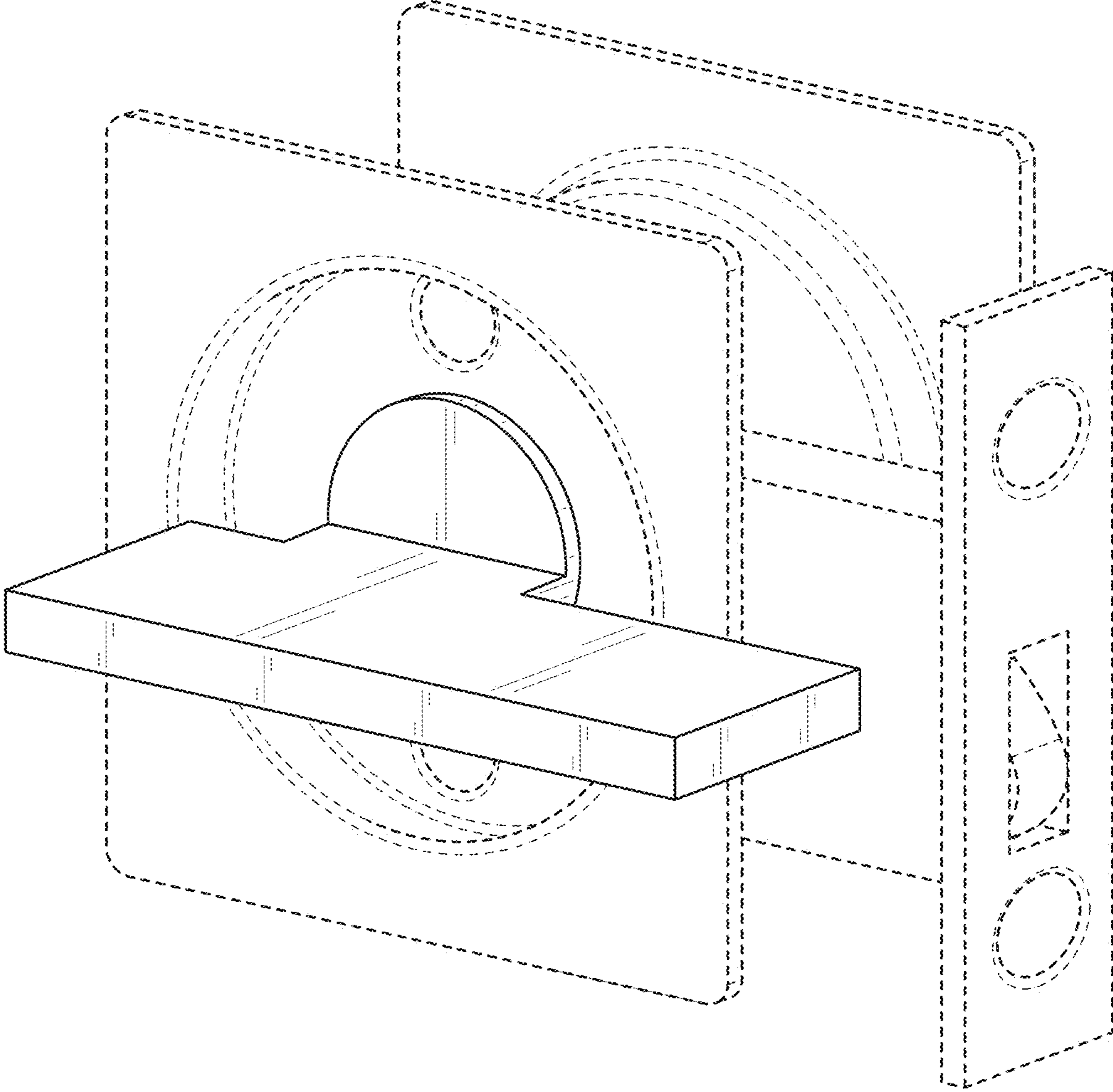


FIG. 2

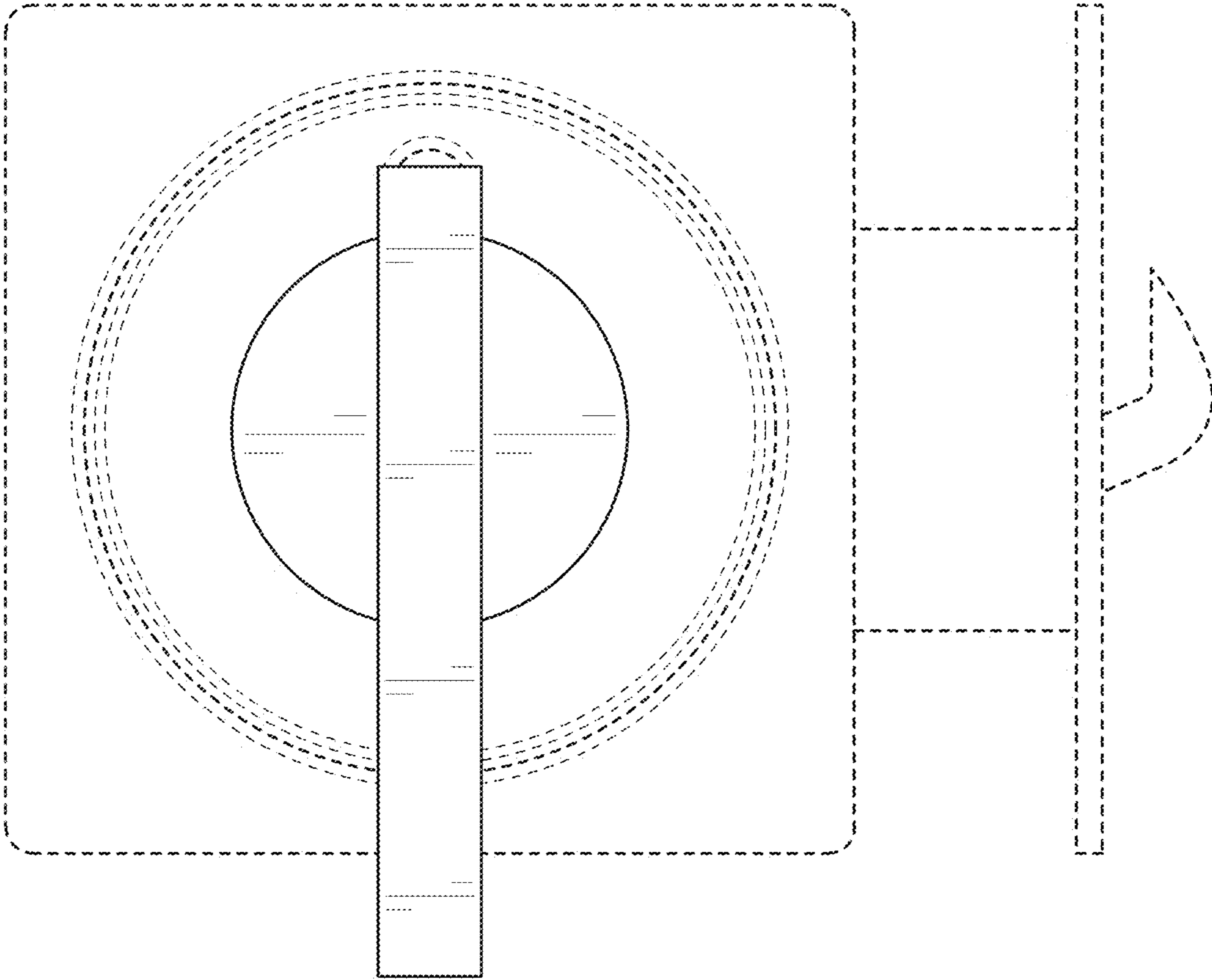


FIG. 3

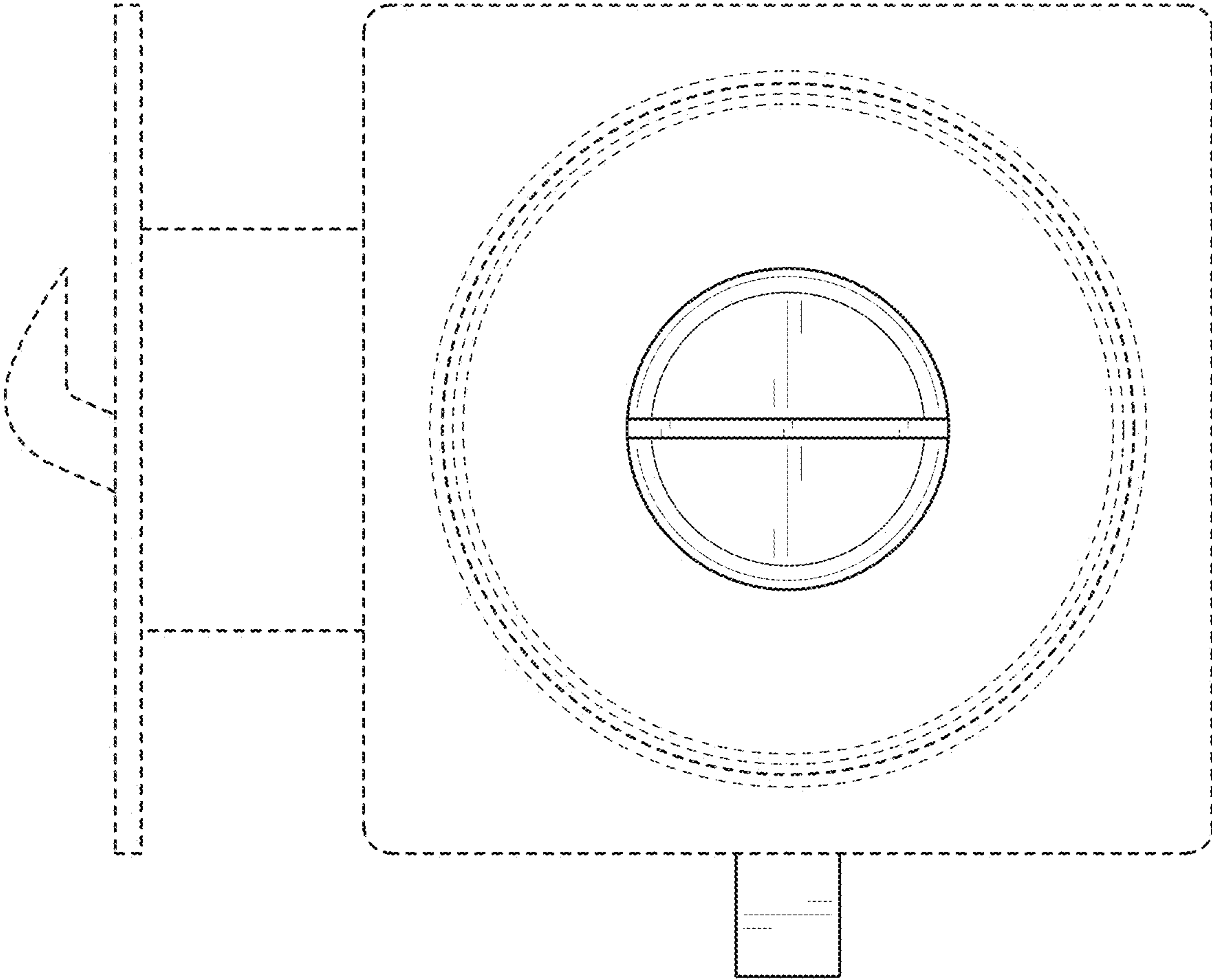


FIG. 4

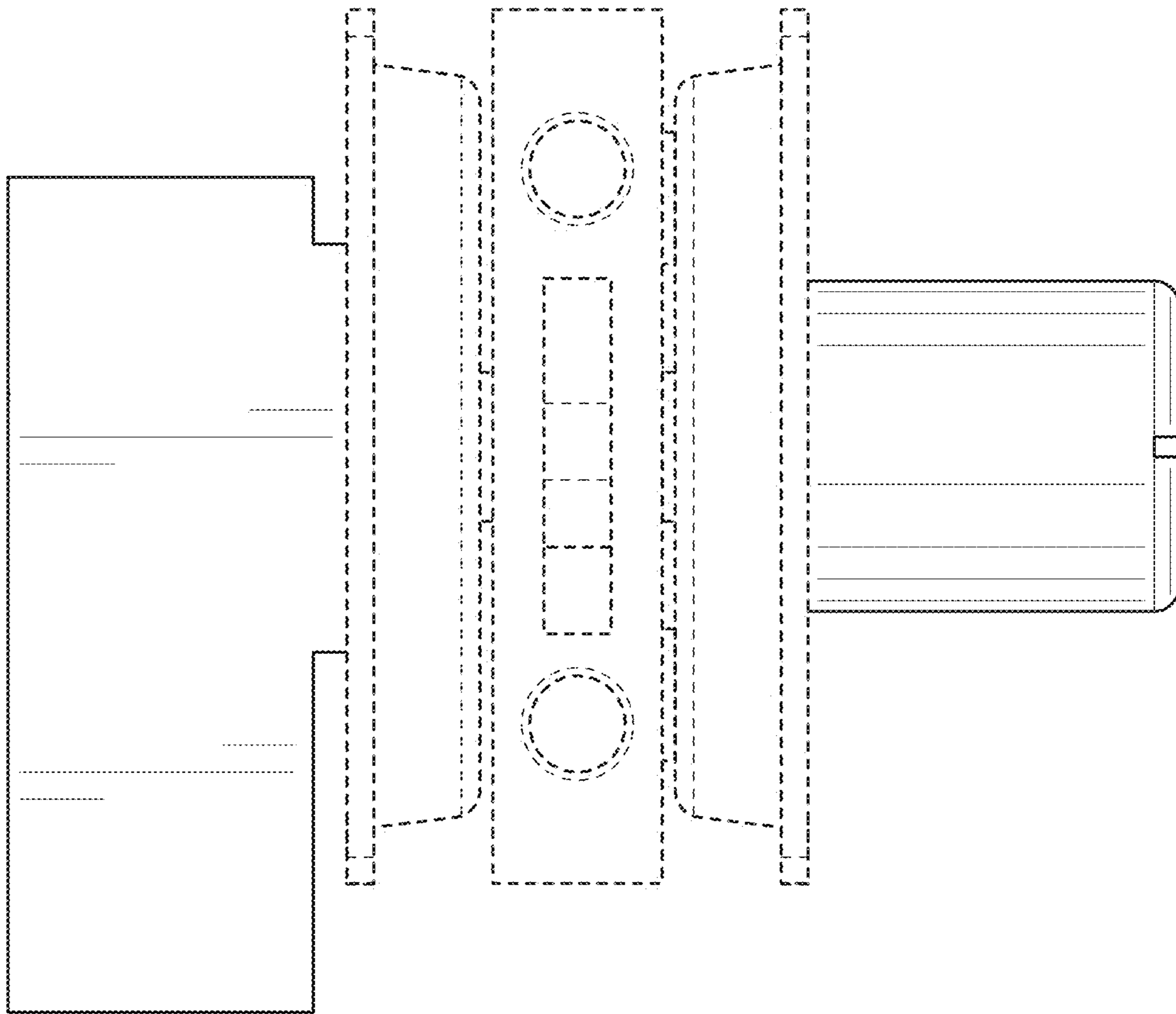


FIG. 5

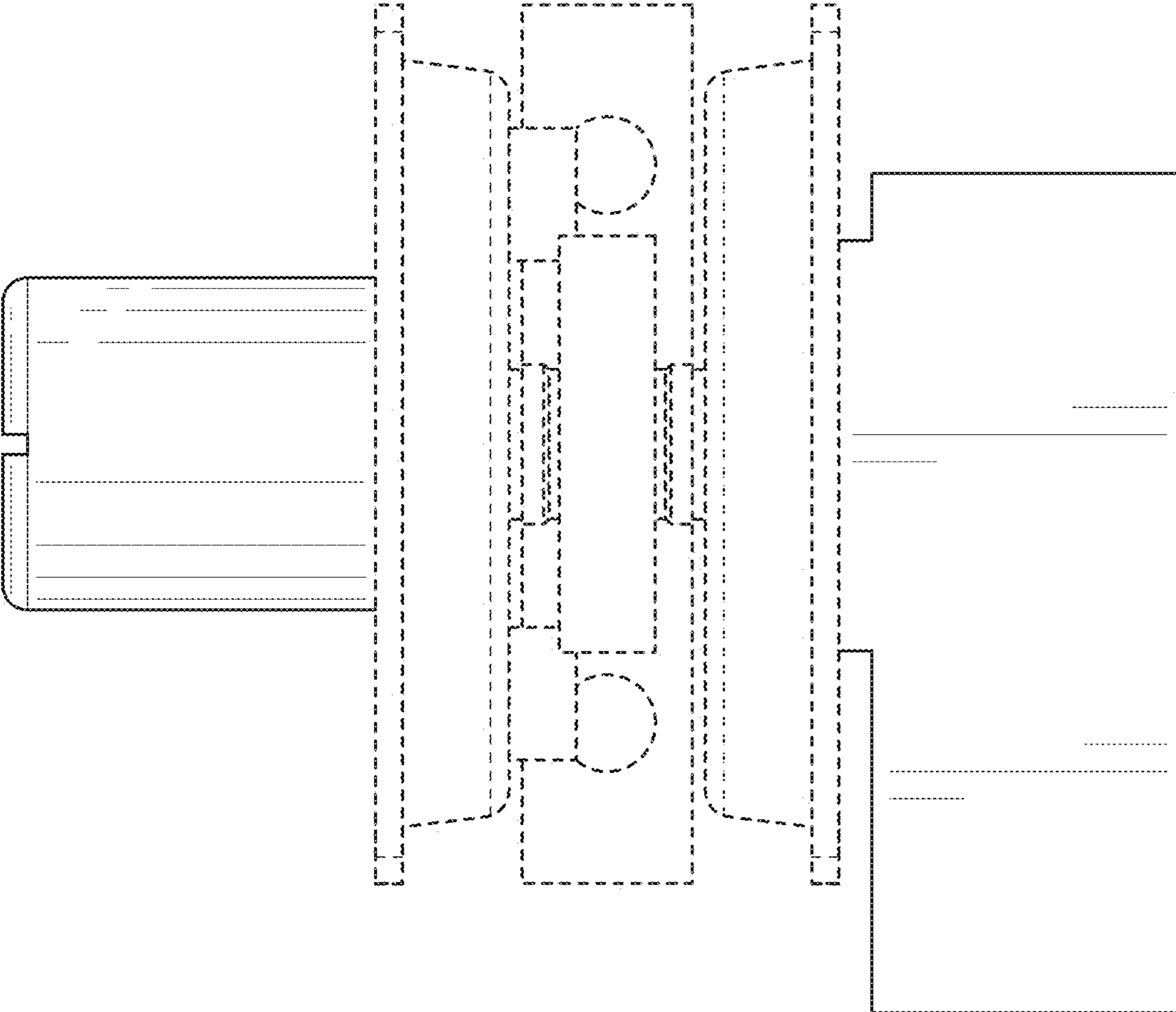


FIG. 6

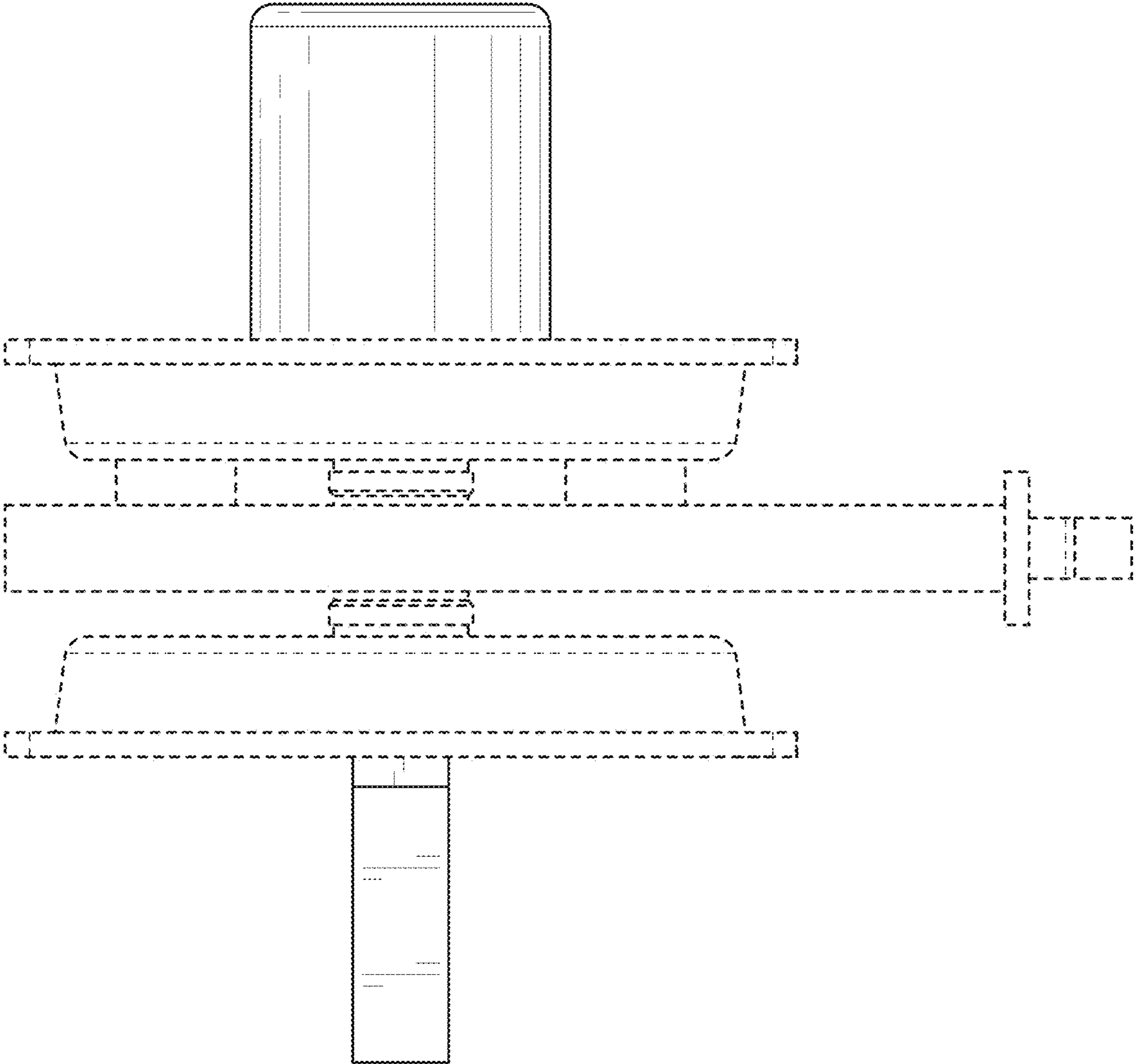


FIG. 7



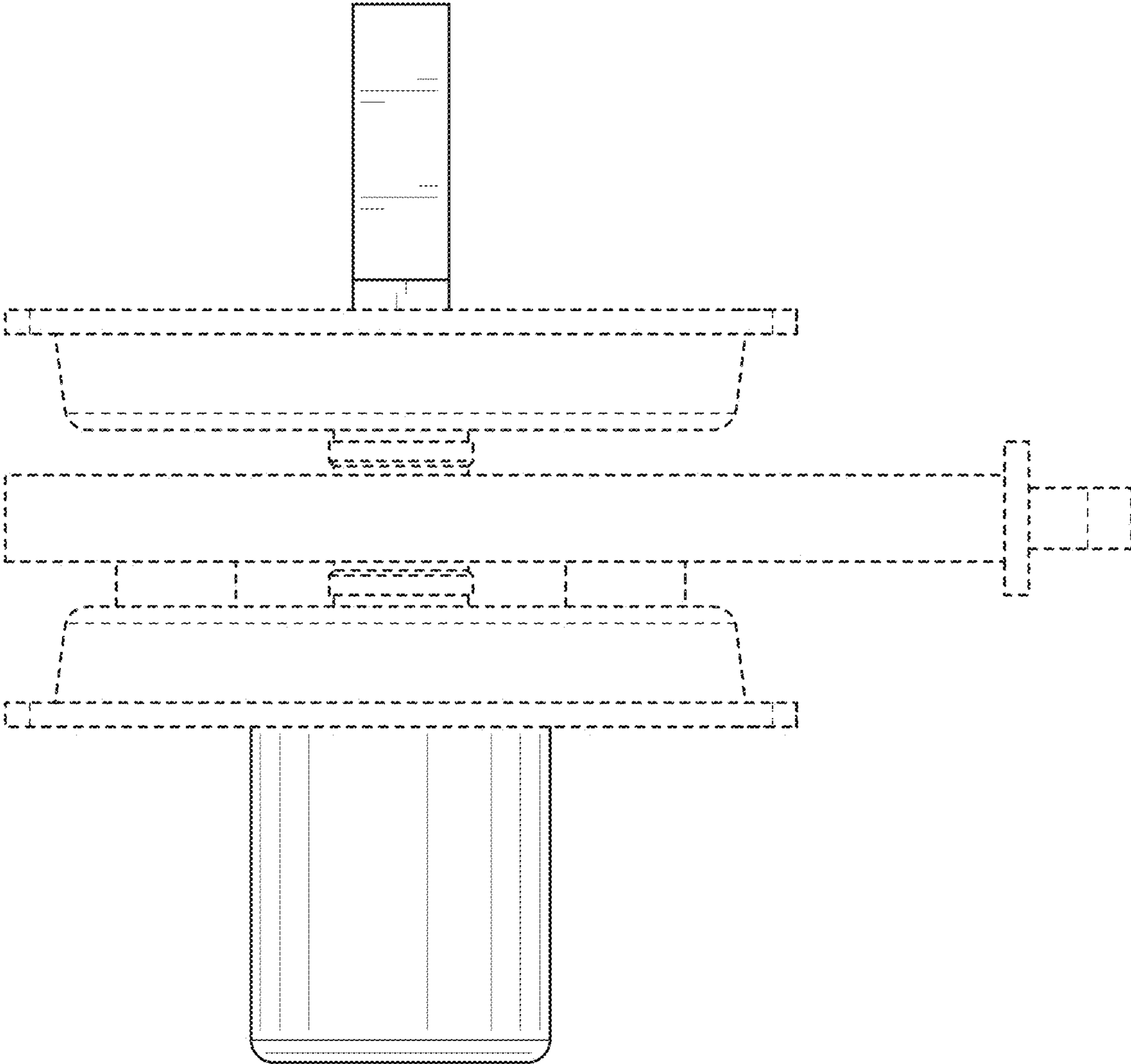


FIG. 8