



US00D934651S

(12) **United States Design Patent**
Xie

(10) **Patent No.:** **US D934,651 S**

(45) **Date of Patent:** **** Nov. 2, 2021**

- (54) **GRIP**
- (71) Applicant: **Yangzhou Sevenstar Sports Goods Co., Ltd.**, Yangzhou (CN)
- (72) Inventor: **Xianxi Xie**, Yangzhou (CN)
- (73) Assignee: **DAEGU GYEONGBUK INSTITUTE OF SCIENCE AND TECHNOLOGY**, Daegu (KR)
- (**) Term: **15 Years**
- (21) Appl. No.: **29/746,278**
- (22) Filed: **Aug. 12, 2020**
- (51) **LOC (13) Cl.** **08-06**
- (52) **U.S. Cl.**
USPC **D8/301**; D8/303
- (58) **Field of Classification Search**
USPC D8/300–303, 315–318; D12/400; D3/318; D21/662
CPC Y10T 16/469; Y10T 16/4559; Y10T 292/087; Y10T 16/459; Y10T 16/4713; Y10T 16/44
See application file for complete search history.

- (56) **References Cited**
U.S. PATENT DOCUMENTS
D128,178 S * 7/1941 Schoenfeld D3/315
4,709,954 A * 12/1987 Beyda A47G 25/1457
294/142
D304,671 S * 11/1989 Reaney D8/301

- 5,518,486 A * 5/1996 Sheeler A63B 21/0004
482/131
- 5,566,870 A * 10/1996 Mejeur A63B 55/00
224/218
- D386,062 S * 11/1997 Quick D8/107
- 6,578,231 B1 * 6/2003 Godshaw A45F 5/10
16/114.1
- D674,448 S * 1/2013 Puig D21/662
- 11,083,661 B2 * 8/2021 Andrews A61H 15/00
- 2006/0085950 A1 * 4/2006 Udy A45F 3/14
16/428
- 2014/0073496 A1 * 3/2014 Bannerman A63B 23/0355
482/139
- 2017/0119133 A1 * 5/2017 Hopple A45F 5/1046

* cited by examiner

Primary Examiner — Lauren R Calve
(74) *Attorney, Agent, or Firm* — Bayramoglu Law Offices LLC

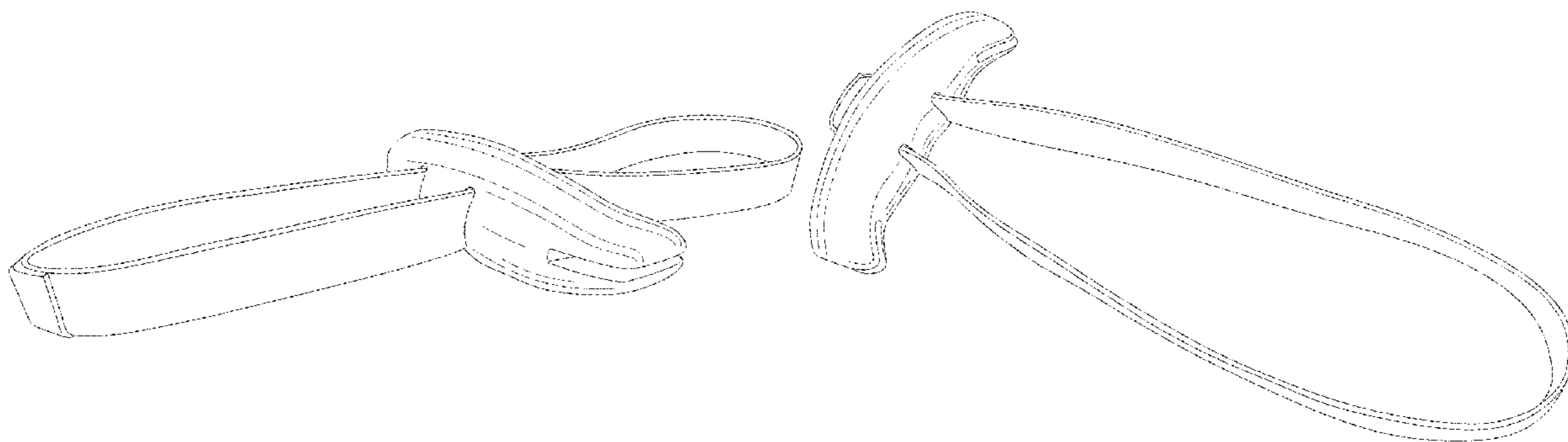
(57) **CLAIM**

The ornamental design for a grip, as shown and described.

DESCRIPTION

FIG. 1 is a top view of a grip showing my new design;
FIG. 2 is a front side view thereof;
FIG. 3 is a right side view thereof;
FIG. 4 is a left side view thereof;
FIG. 5 is a front perspective view thereof;
FIG. 6 is a bottom perspective view thereof in a configuration that a strip is pulled to a side; and,
FIG. 7 is a top perspective view thereof in the configuration that the strip is pulled to the side.

1 Claim, 7 Drawing Sheets



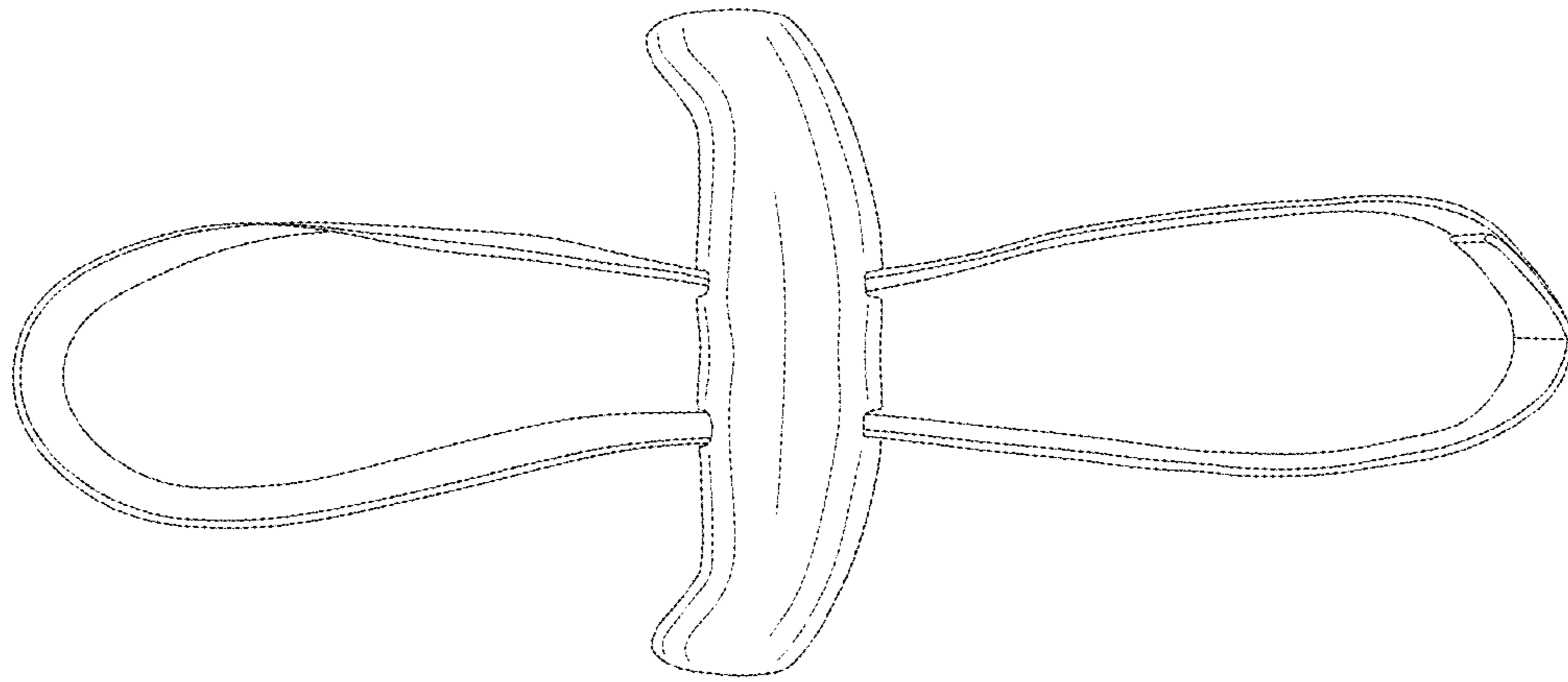


FIG. 1

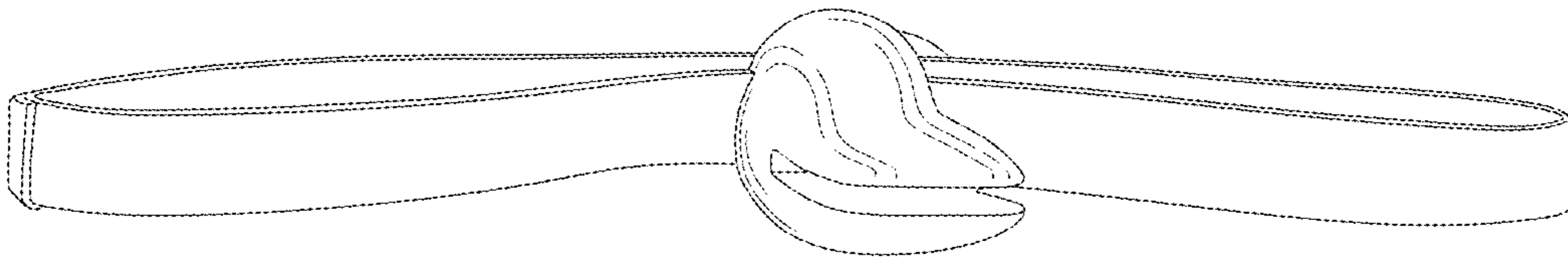


FIG. 2

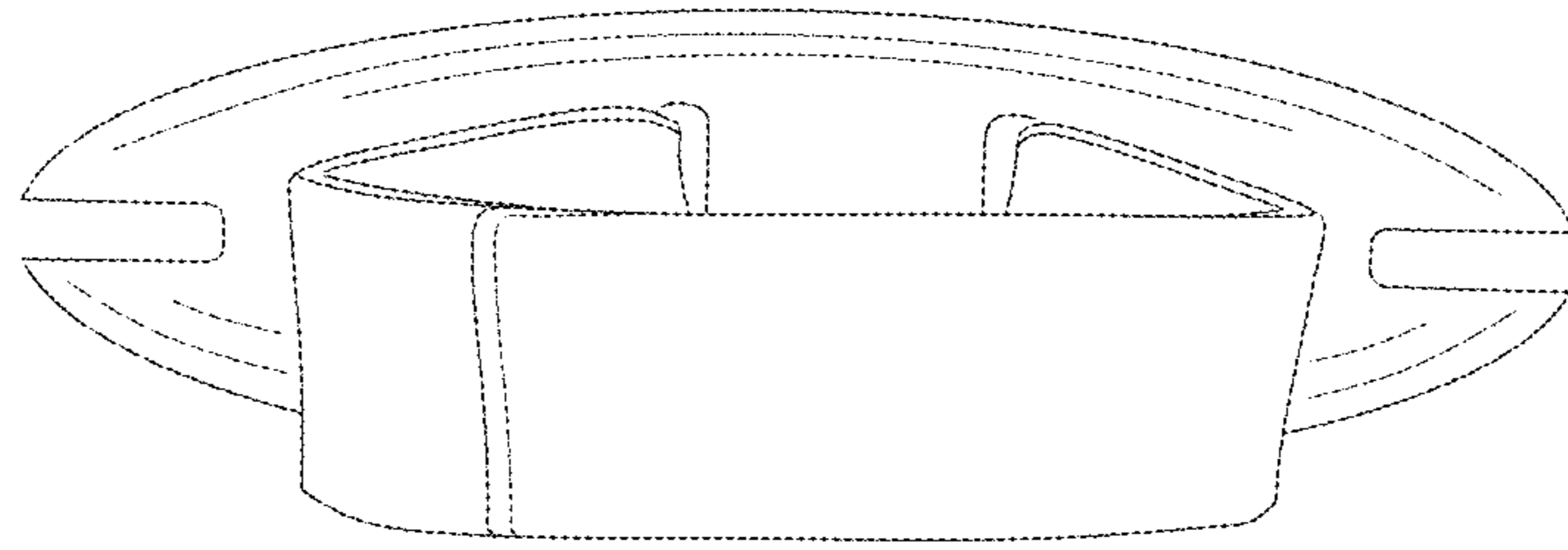


FIG. 3

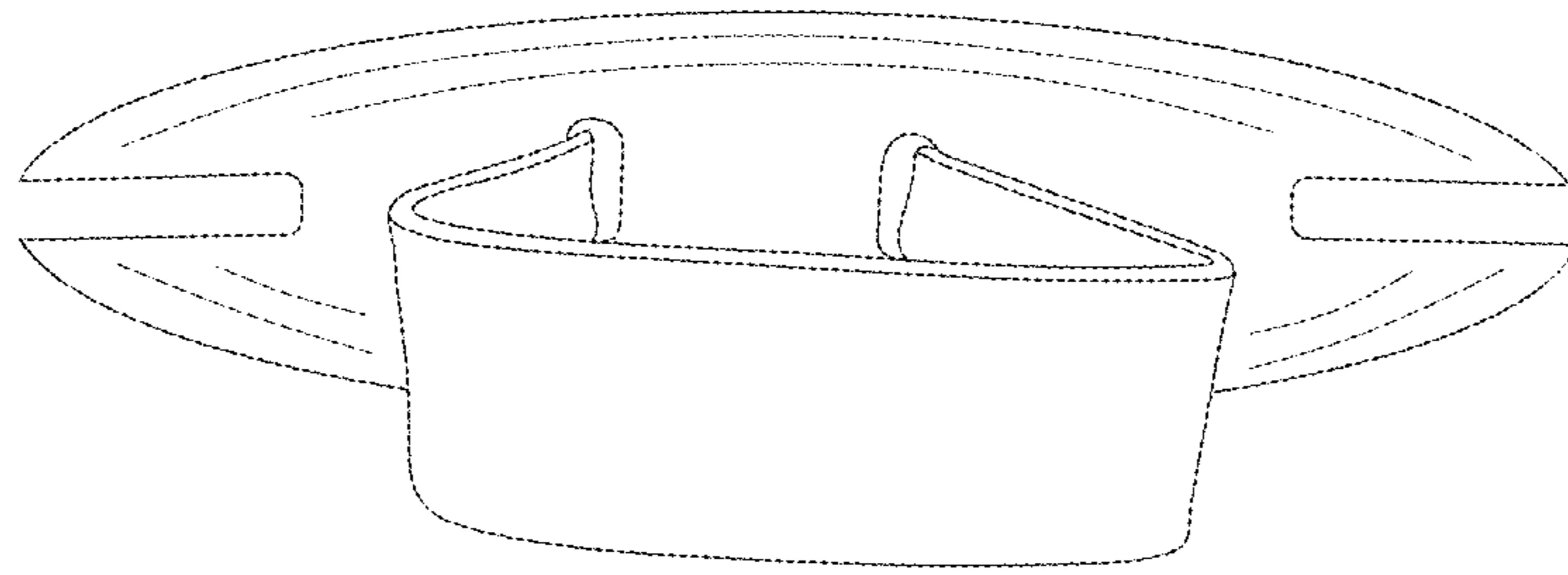


FIG. 4

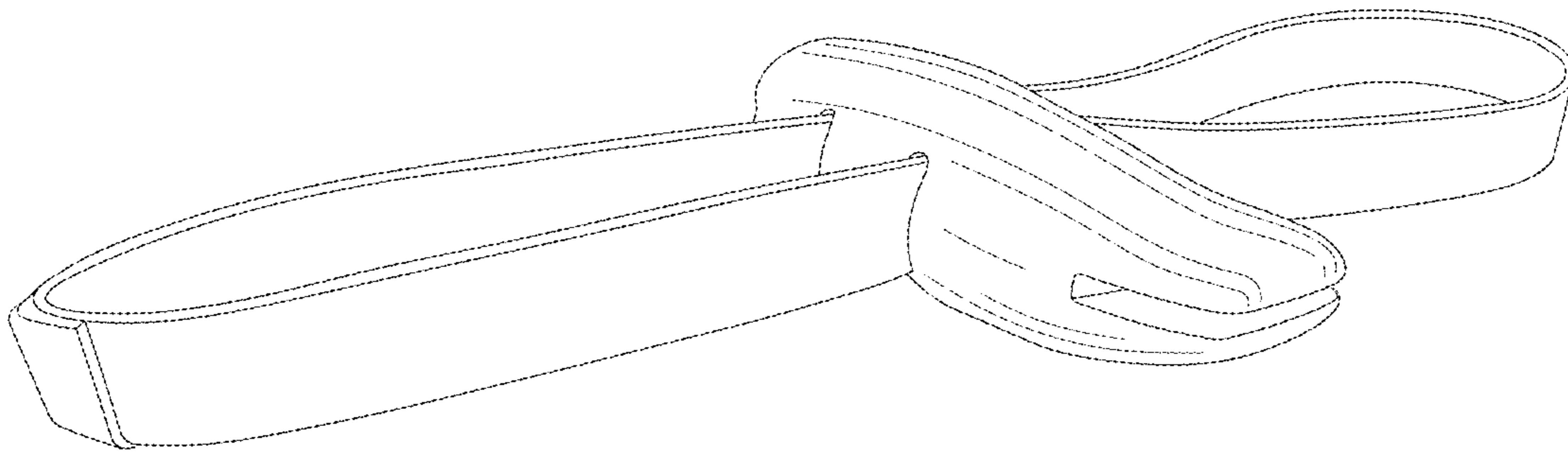


FIG. 5

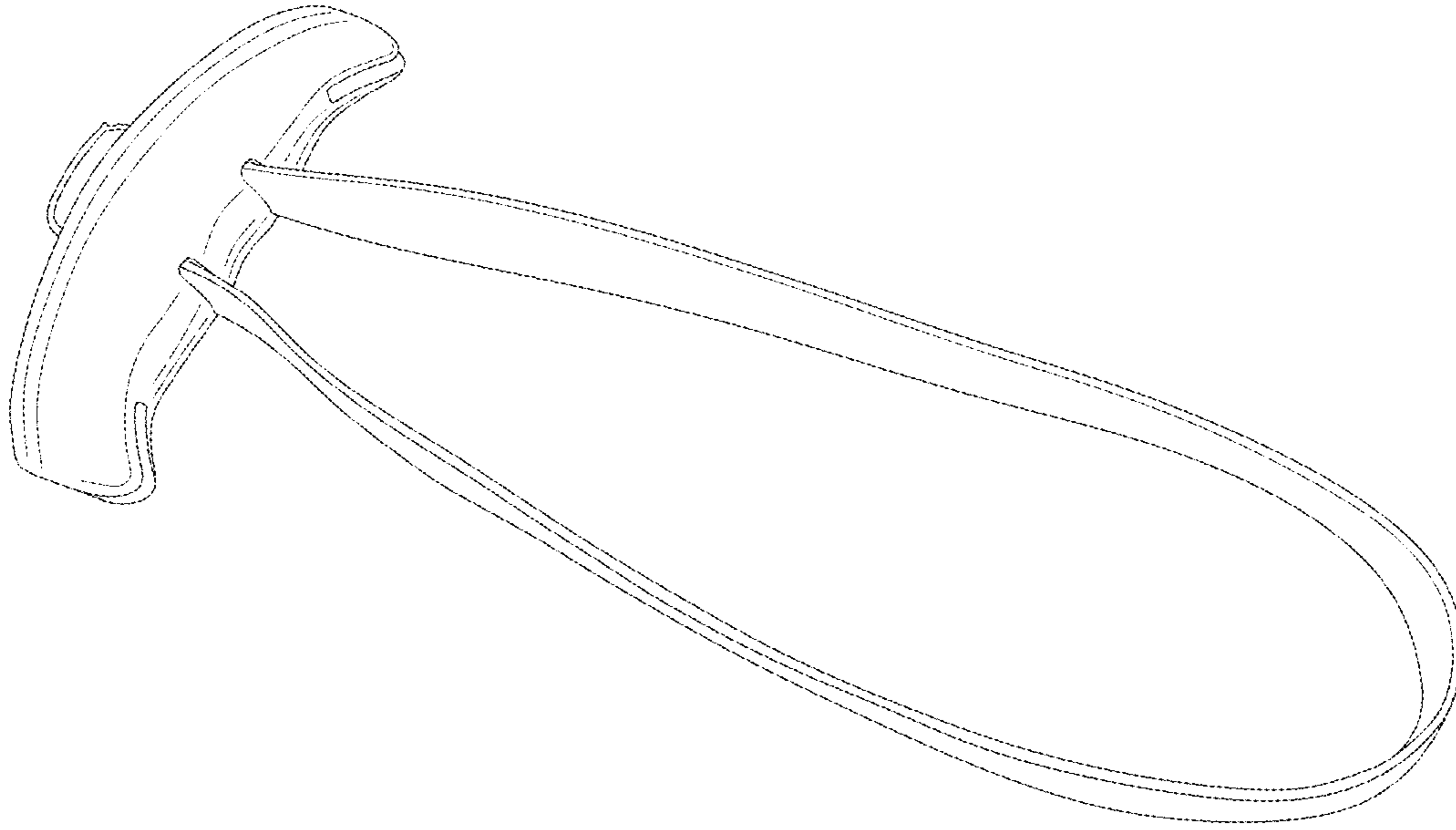


FIG. 6

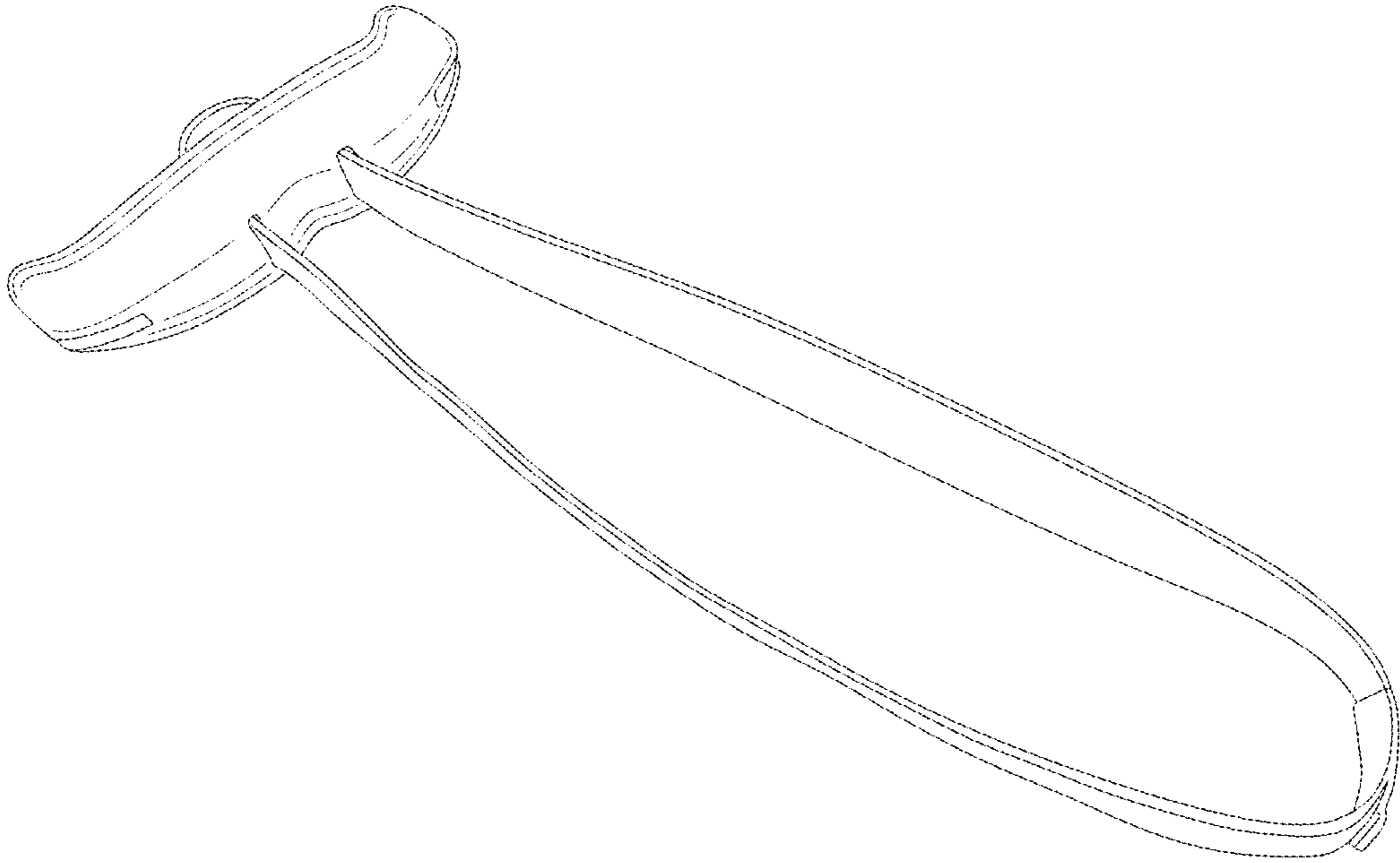


FIG. 7

UNITED STATES PATENT AND TRADEMARK OFFICE
CERTIFICATE OF CORRECTION

PATENT NO. : D934,651 S
APPLICATION NO. : 29/746278
DATED : November 2, 2021
INVENTOR(S) : Xianxi Xie

Page 1 of 1

It is certified that error appears in the above-identified patent and that said Letters Patent is hereby corrected as shown below:

On the Title Page

Item (73) Assignees should read:

YANGZHOU SEVENSTAR SPORTS GOODS CO., LTD., Yangzhou (CN)

Signed and Sealed this
Third Day of May, 2022



Katherine Kelly Vidal
Director of the United States Patent and Trademark Office