



US00D934650S

(12) **United States Design Patent** (10) **Patent No.:** **US D934,650 S**  
**King** (45) **Date of Patent:** **\*\* Nov. 2, 2021**

(54) **BALE CARRYING DEVICE**  
(71) Applicant: **Walter E. King**, Senoia, GA (US)  
(72) Inventor: **Walter E. King**, Senoia, GA (US)  
(\*\*) Term: **15 Years**  
(21) Appl. No.: **29/722,136**

6,334,531 B1 1/2002 Valkovich  
6,382,549 B1 5/2002 Krake  
D460,677 S \* 7/2002 Proot ..... D8/301  
(Continued)

**FOREIGN PATENT DOCUMENTS**

CN 200941890 9/2007  
CN 202365136 8/2012  
(Continued)

(22) Filed: **Jan. 27, 2020**  
(51) **LOC (13) Cl.** ..... **08-06**  
(52) **U.S. Cl.**  
USPC ..... **D8/301**  
(58) **Field of Classification Search**  
USPC ..... D8/107, 300, 301, 303, 307, 311, 312,  
D8/313, 314, 315; D7/395; D9/434;  
D3/328  
CPC ..... A45F 5/102; A45F 5/1026; A45F  
2005/1053; B65D 63/18  
See application file for complete search history.

**OTHER PUBLICATIONS**

“Hay Handles” Make Bales Easy To Carry, 2015, Farm Show Magazine, vol. 39, Issue #3, p. 19, <https://www.farmshow.com/article.php?aid=29268> (Year: 2015), 4 pgs.  
(Continued)

*Primary Examiner* — Lauren R Calve  
(74) *Attorney, Agent, or Firm* — Taylor English Duma LLP

(56) **References Cited**

**U.S. PATENT DOCUMENTS**

424,806 A	4/1890	Morris	
2,749,172 A	6/1956	Jacobs	
D184,420 S *	2/1959	Carlisle .....	D8/301
D219,278 S *	11/1970	Protzmann .....	D8/301
4,004,722 A	1/1977	Olivier	
D269,253 S	6/1983	Gagnon	
4,420,178 A	12/1983	Taylor et al.	
4,741,492 A	5/1988	Reysen	
4,919,466 A	4/1990	Consler et al.	
5,487,581 A	1/1996	Carmo et al.	
5,507,544 A	4/1996	McQuade et al.	
5,527,076 A *	6/1996	Randels .....	A45F 5/1026 294/171
5,665,409 A	9/1997	Drewry	
5,667,266 A	9/1997	Giocanti	
D400,785 S	11/1998	Randall	
5,992,803 A	11/1999	LeRoux	
D441,653 S	5/2001	LeRoux	

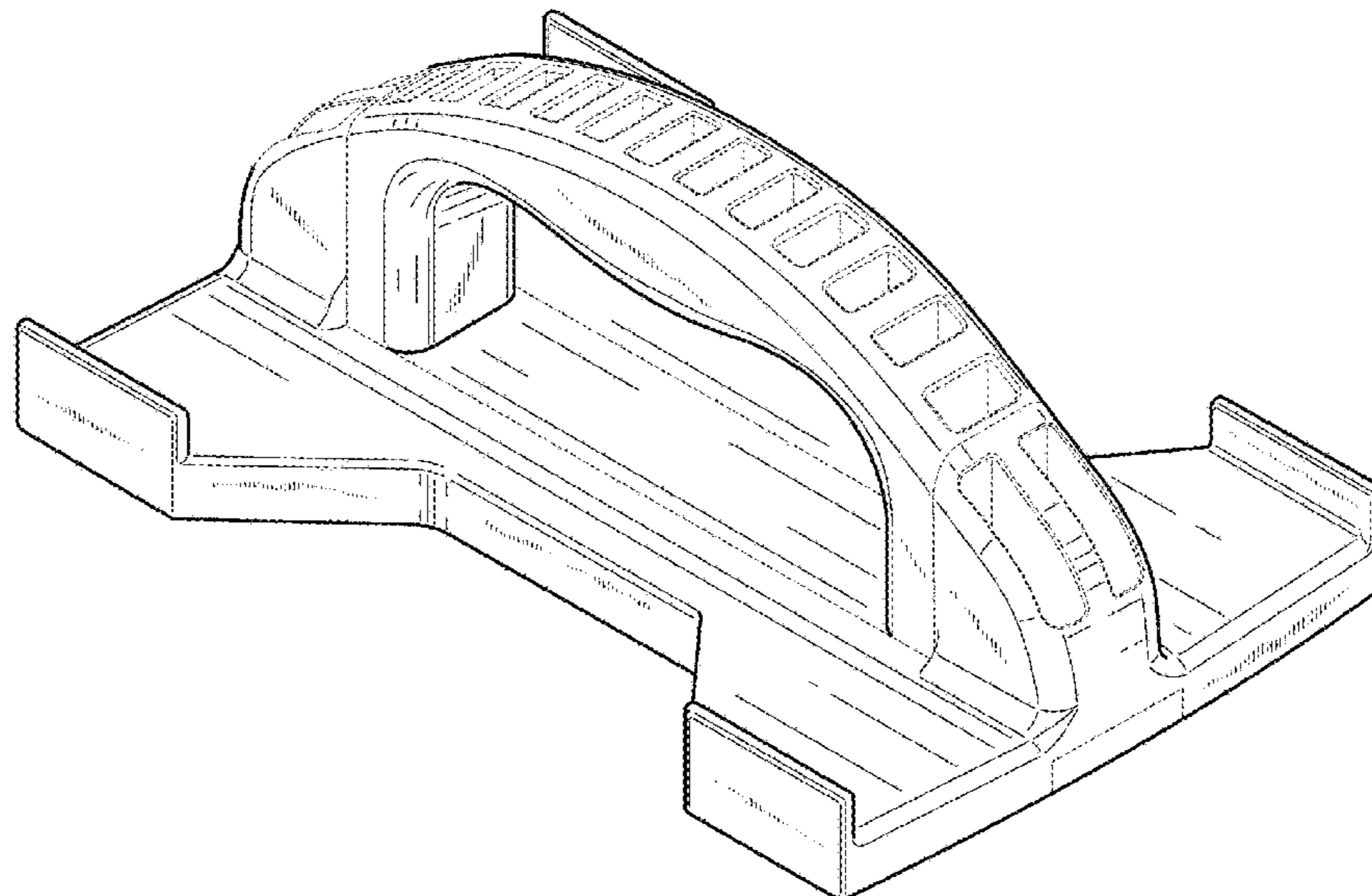
(57) **CLAIM**

I claim the ornamental design for a bale carrying device, as shown and described.

**DESCRIPTION**

FIG. 1 is a front perspective view of a bale carrying device. FIG. 2 is a top plan view thereof. FIG. 3 is a bottom plan view thereof. FIG. 4 is a left-side elevation view thereof. FIG. 5 is a right-side elevation view thereof. FIG. 6 is a front elevation view thereof; and, FIG. 7 is a rear elevation view thereof. The invention pertains to an ornamental design for a bale carrying device. the bale carrying device is shown in FIGS. 1-7. The solid lines represent the bounds of the claimed design, whereas those features shown in broken lines form no part of the claimed design.

**1 Claim, 7 Drawing Sheets**



(56)

References Cited

FOREIGN PATENT DOCUMENTS

U.S. PATENT DOCUMENTS

6,499,781 B1 12/2002 Flynn  
 6,623,056 B1 9/2003 Wickson  
 7,874,602 B2 1/2011 Meckwood et al.  
 D657,241 S \* 4/2012 Nidetz ..... D9/434  
 D793,233 S 8/2017 Fuhry  
 9,743,746 B2 8/2017 Martinez et al.  
 D853,820 S \* 7/2019 Garrido ..... D8/301  
 10,772,415 B1 9/2020 Swenson  
 2002/0101087 A1 \* 8/2002 Thielking ..... A45F 5/102  
 294/143  
 2004/0212208 A1 10/2004 Link  
 2005/0044662 A1 3/2005 Yu  
 2005/0045676 A1 \* 3/2005 Bass ..... A45F 5/00  
 224/162  
 2007/0132254 A1 6/2007 Choi  
 2008/0169663 A1 7/2008 Stelzer et al.  
 2009/0206621 A1 8/2009 Payne  
 2014/0265397 A1 \* 9/2014 Shepherd ..... B65D 33/06  
 294/156  
 2015/0035306 A1 \* 2/2015 Ewing ..... A45F 5/1026  
 294/159  
 2021/0061532 A1 3/2021 King

CN 202386062 8/2012  
 CN 104665222 6/2015  
 CN 106880159 6/2017  
 CN 206714390 12/2017  
 CN 108851486 11/2018  
 CN 108937088 12/2018

OTHER PUBLICATIONS

King, Walter E.; Non-Final Office Action for U.S. Appl. No. 16/704,035, filed Dec. 5, 2019, dated Dec. 31, 2020, 14 pgs.  
 King, Walter E.; Final Office Action for U.S. Appl. No. 16/704,035, filed Dec. 5, 2019, dated Apr. 19, 2021, 12 pgs.  
 King, Walter E.; Non-Final Office Action for U.S. Appl. No. 16/704,035, filed Dec. 5, 2019, dated Mar. 18, 2021, 13 pgs.

\* cited by examiner

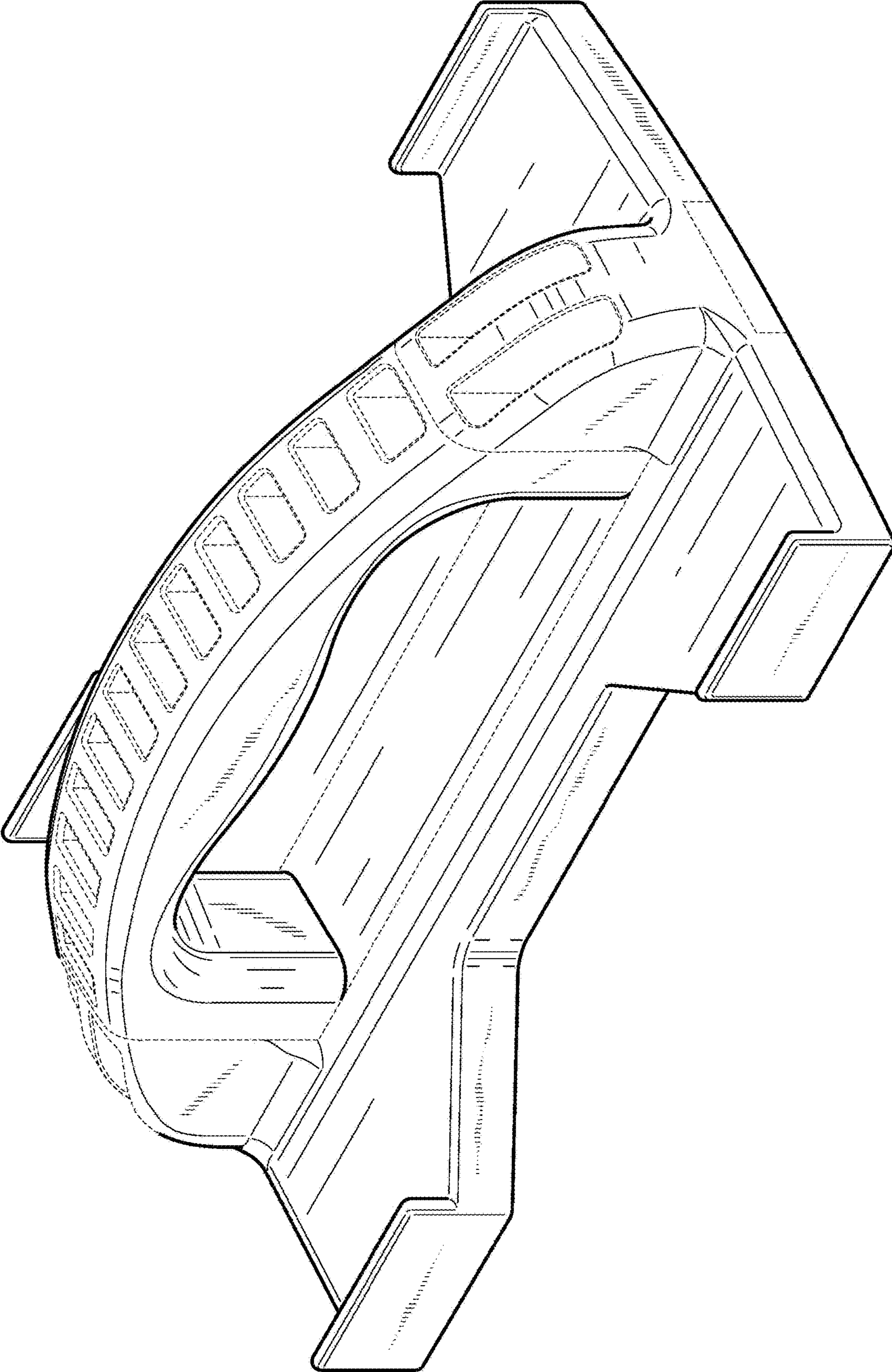


FIG. 1

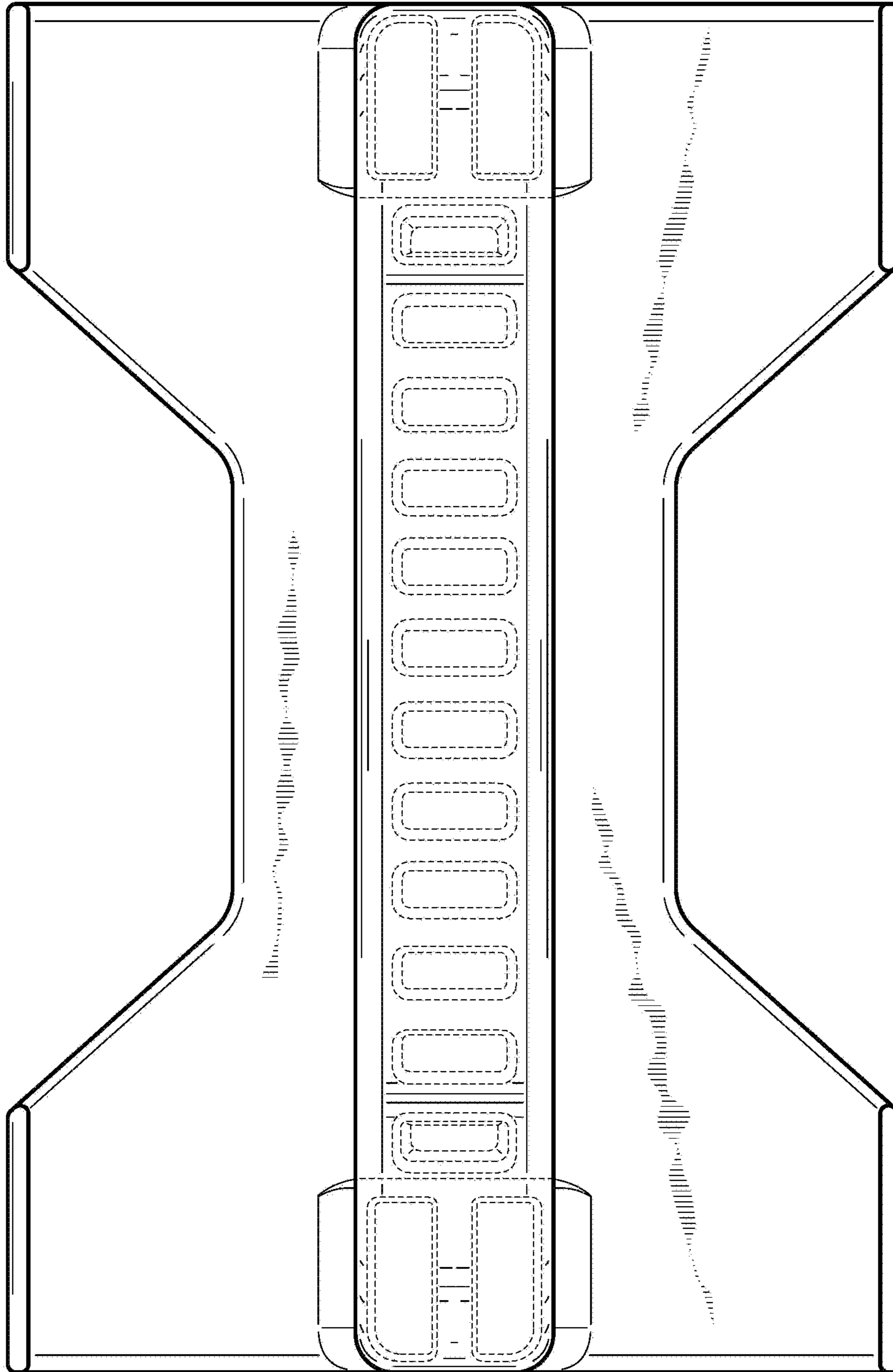


FIG. 2

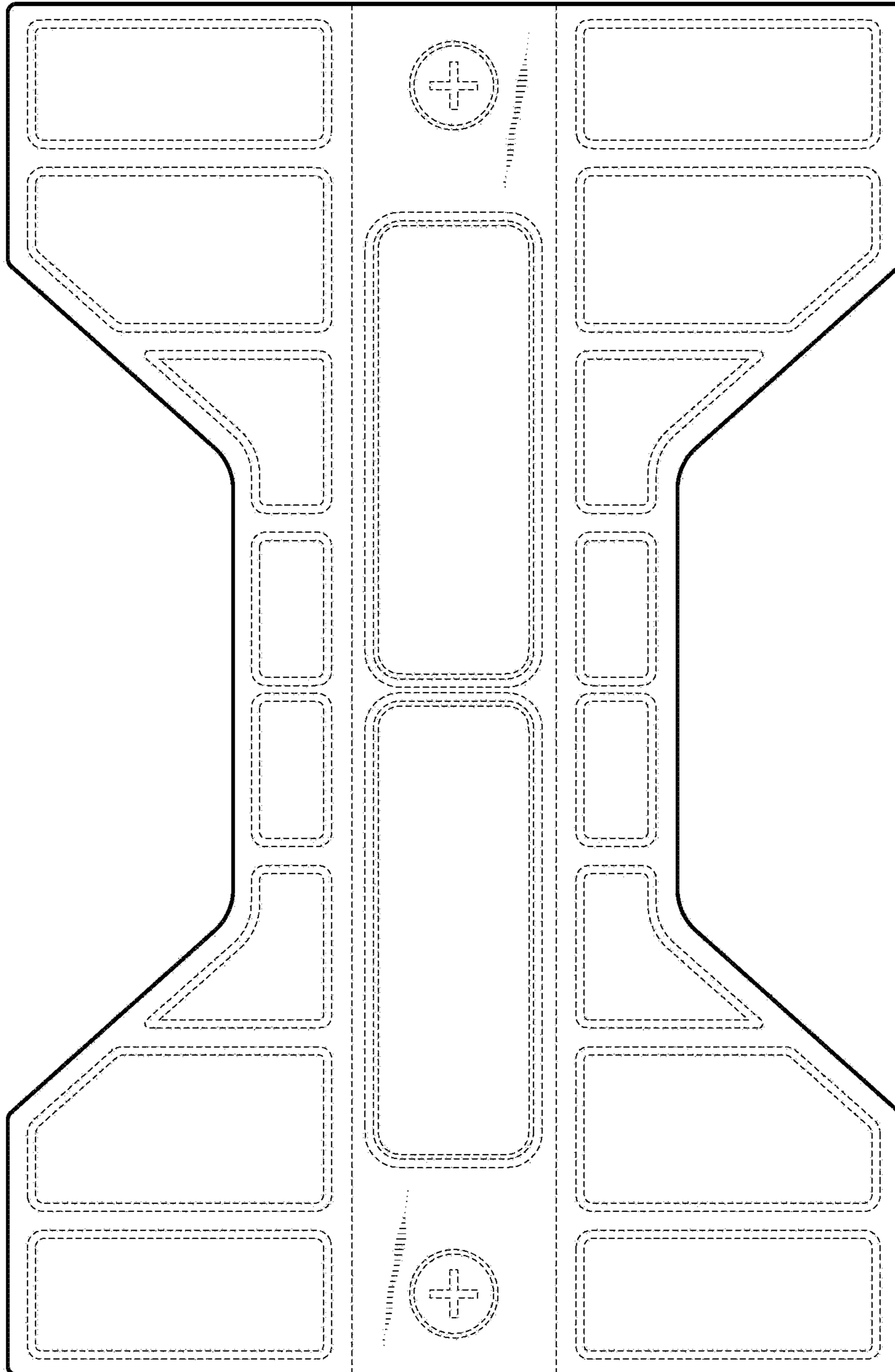


FIG. 3

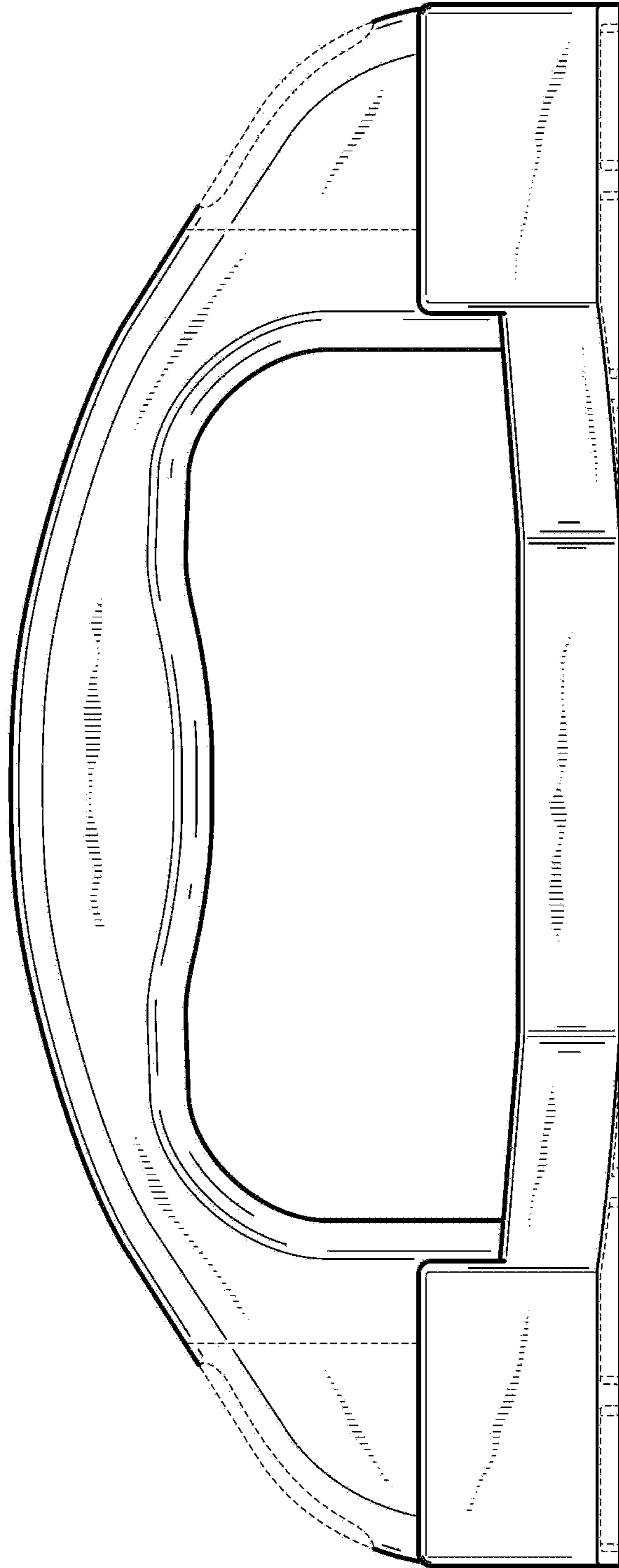


FIG. 4

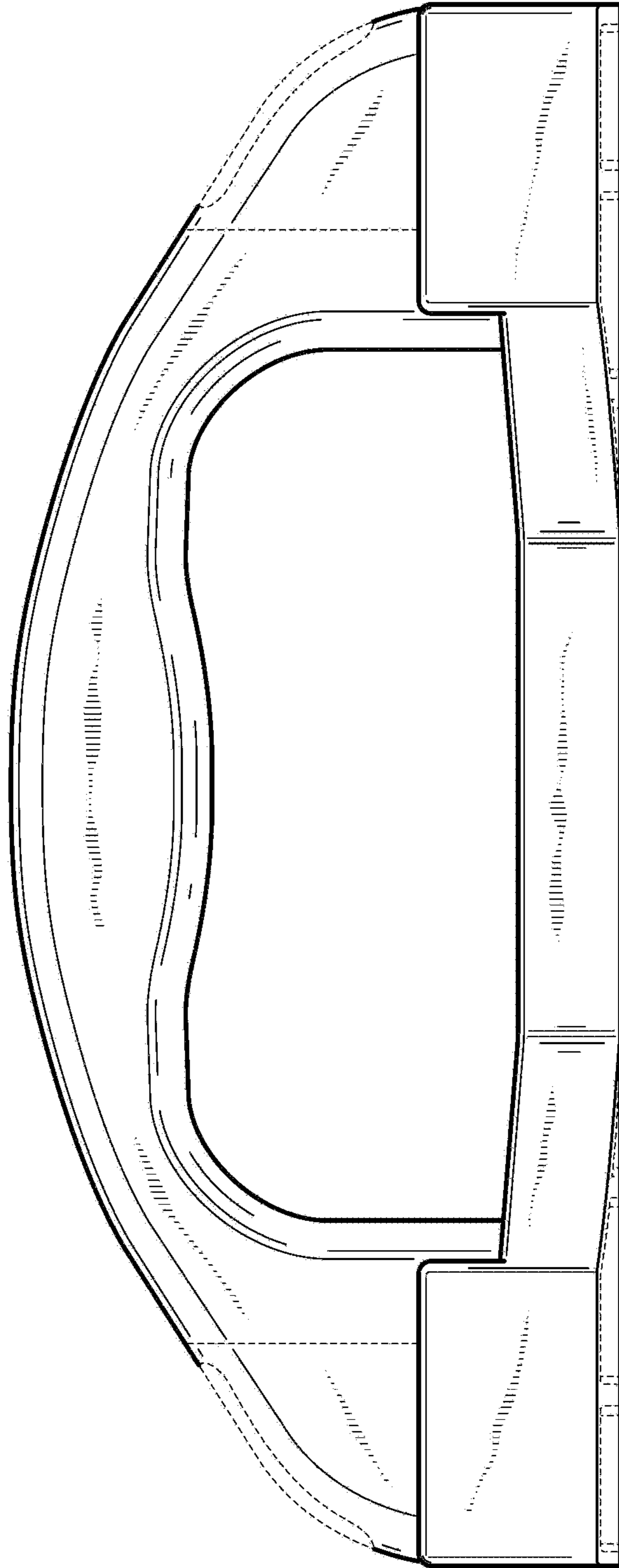


FIG. 5

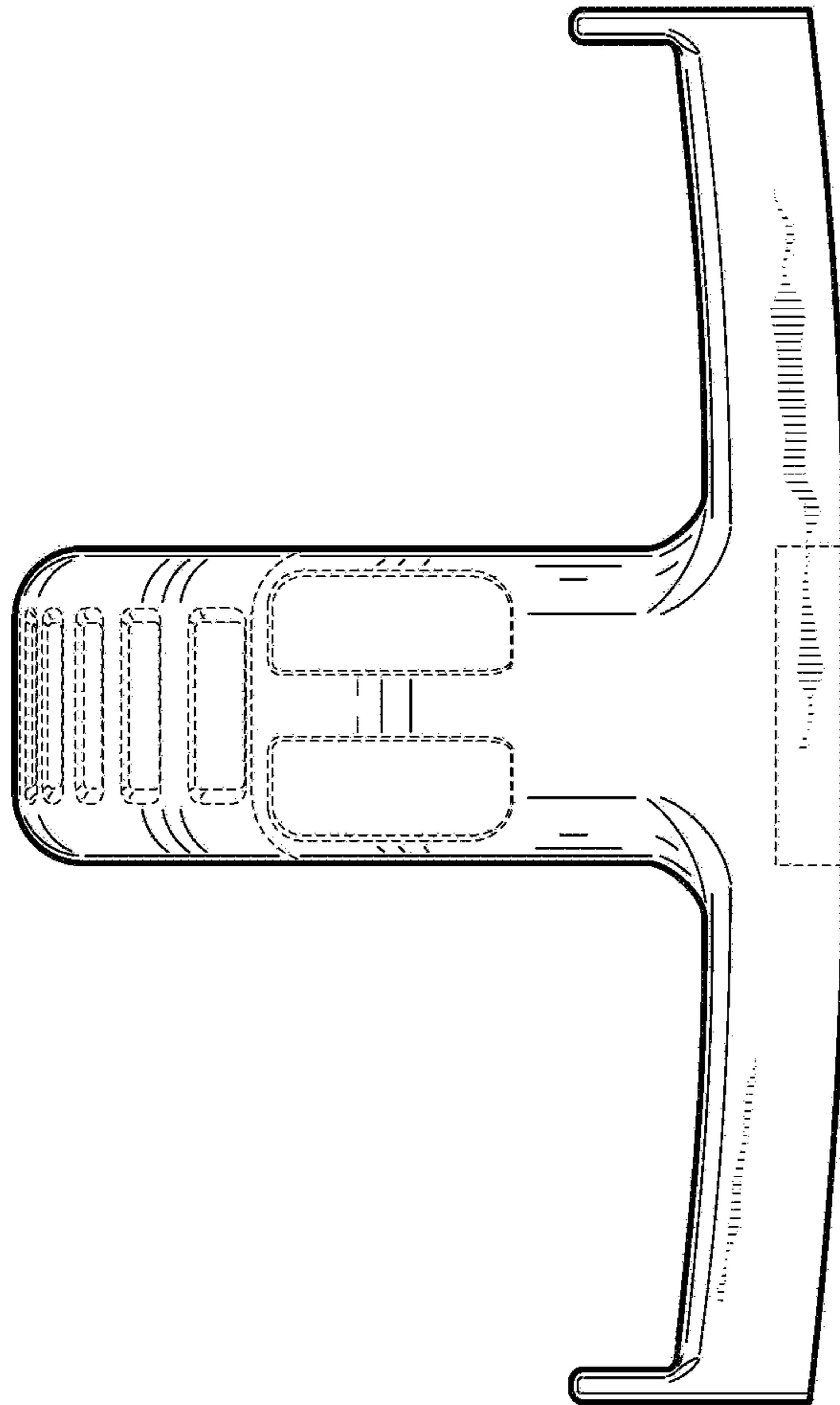


FIG. 6



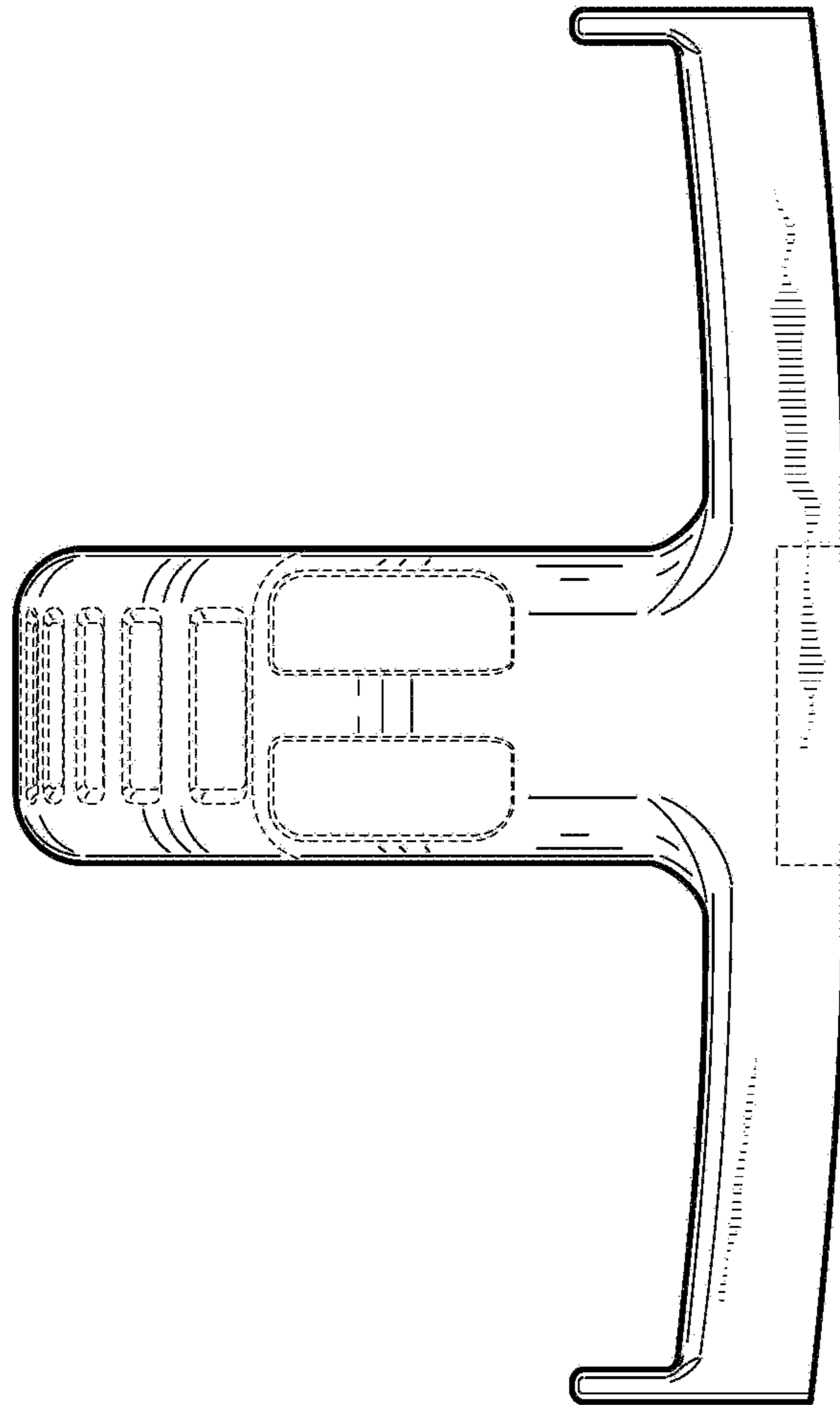


FIG. 7