



US00D934647S

(12) **United States Design Patent** (10) **Patent No.:** **US D934,647 S**  
**Berrouard et al.** (45) **Date of Patent:** **\*\* Nov. 2, 2021**

(54) **TOOL HANDLE**  
(71) Applicant: **GARANT GP**,  
Saint-François-de-la-Rivière-du-Sud  
(CA)  
(72) Inventors: **Mathieu Berrouard**, Levis (CA);  
**Samuel Barker**, Montreal (CA); **Eric**  
**Lapointe**, Montreal (CA); **Luc**  
**Blanchette**, Montreal (CA)  
(73) Assignee: **GARANT GP**  
(\*\*) Term: **15 Years**  
(21) Appl. No.: **29/733,958**  
(22) Filed: **May 7, 2020**  
(51) **LOC (13) Cl.** ..... **08-02**  
(52) **U.S. Cl.**  
USPC ..... **D8/80**  
(58) **Field of Classification Search**  
USPC ..... D8/75, 76, 77, 78, 79, 80, 81, 107  
CPC ... B25D 1/00; B25D 1/02; B25D 1/04; B25D  
1/045; B25D 1/06; B25D 1/10; B25D  
1/12; B25G 1/102  
See application file for complete search history.  
(56) **References Cited**

**U.S. PATENT DOCUMENTS**

4,287,640 A \* 9/1981 Keathley ..... B25G 3/34  
125/43  
D330,837 S \* 11/1992 Harmon ..... D8/80  
D396,790 S \* 8/1998 Legacy ..... D8/80  
D652,703 S \* 1/2012 Onello ..... D8/77  
D653,094 S \* 1/2012 Onello ..... D8/77  
8,359,949 B2 \* 1/2013 Onello ..... B25D 1/14  
81/22  
D688,110 S \* 8/2013 Frenkel ..... D8/80  
D770,258 S \* 11/2016 Stokes ..... D8/76  
D772,671 S \* 11/2016 Stokes ..... D8/75  
D808,758 S \* 1/2018 Nelson ..... D8/76

D808,761 S \* 1/2018 Nelson ..... D8/77  
D812,445 S \* 3/2018 Nelson ..... D8/80  
D854,390 S \* 7/2019 Nelson ..... D8/80  
D854,391 S \* 7/2019 Nelson ..... D8/80  
D854,903 S \* 7/2019 Nelson ..... D8/76  
D897,803 S \* 10/2020 Caglar ..... D8/76

**OTHER PUBLICATIONS**

(Jun. 15, 2018) Husky 10 lb. Sledge Hammer with 34 in. Fiberglass Handle (Home Depot USA); <https://www.homedepot.com/p/Husky-10-lb-Sledge-Hammer-with-34-in-Fiberglass-Handle-HD-SF10LB/206768945>.  
(Oct. 26, 2018) Dewalt Exo-Core Sledge Hammer Item # DWHT56028 (Mississauga Hardware); <https://www.mississaugahardware.com/product/exo-core-sledge-hammer?gfid=p21216-o2006>.  
(May 23, 2019) Fiskars 10 lb. Sledge Hammer (Canadian Tire); <https://www.canadiantire.ca/en/pdp/fiskars-sledge-hammer-0574046p.html>.  
(May 23, 2019) Maximum Sledge Hammer (Canadian Tire); <https://www.canadiantire.ca/en/pdp/maximum-sledge-hammer-0574038p.html>.

(Continued)

*Primary Examiner* — Philip S Hyder  
(74) *Attorney, Agent, or Firm* — Lavery, De Billy, LLP;  
Gwendoline Bruneau

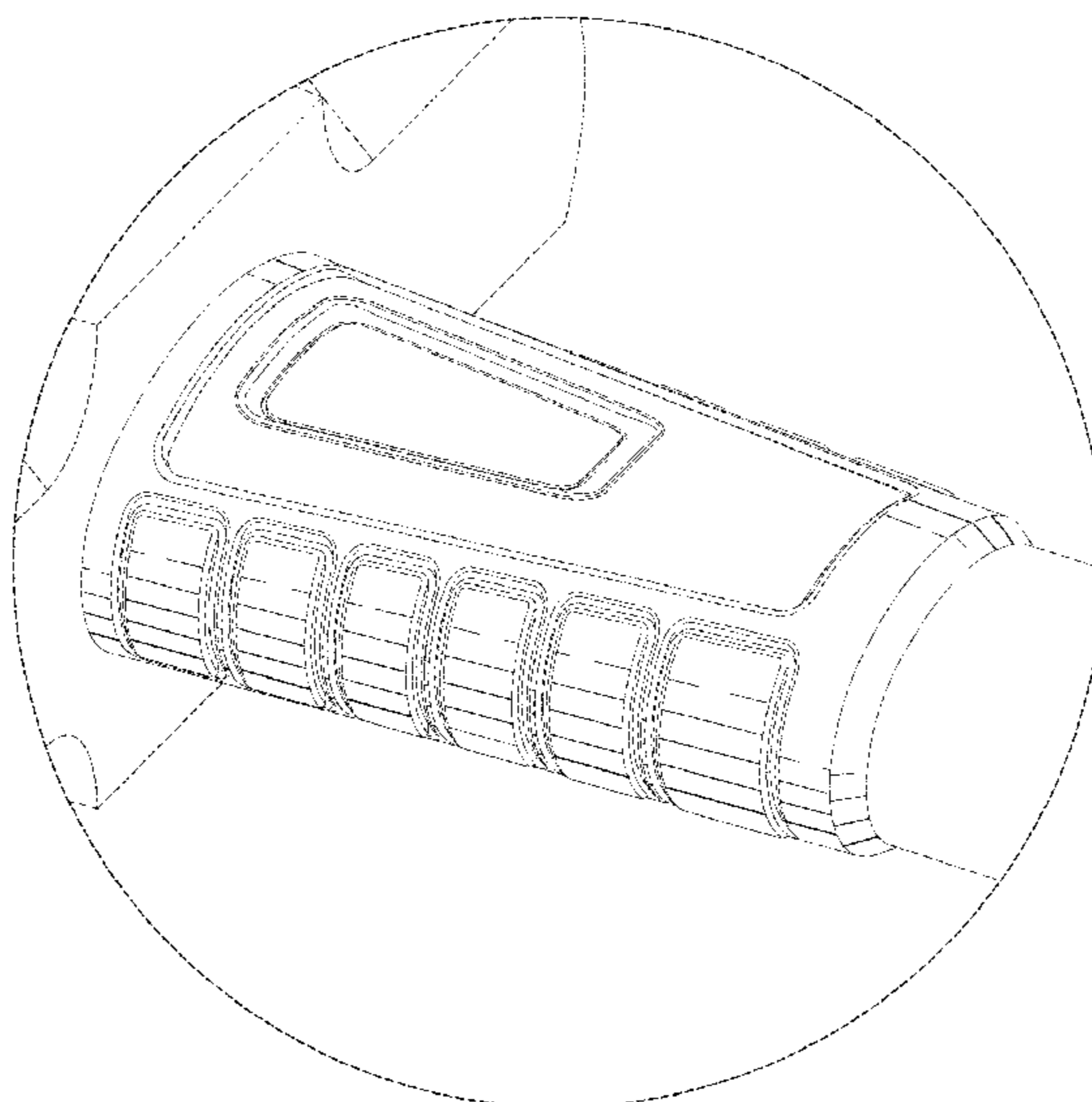
(57) **CLAIM**

The ornamental design for a tool handle, as shown and described.

**DESCRIPTION**

FIG. 1 is perspective view of the tool handle;  
FIG. 2 is an enlarged view of FIG. 1;  
FIG. 3 is a top view of the tool handle;  
FIG. 4 is a side view of the tool handle; and,  
FIG. 5 is an end view of the tool handle.  
The broken line portions of the tool handle, and the broken line showings of the tool head, form no part of the claimed design.

**1 Claim, 5 Drawing Sheets**



(56)

**References Cited**

## OTHER PUBLICATIONS

(Oct. 28, 2019) Dewalt 4.5 lb. Single Bit Axe with 33.7 in. Fiberglass Handle (Home Depot USA); <https://www.homedepot.com/p/DEWALT-4-5-lb-Single-Bit-Axe-with-33-7-in-Fiberglass-Handle-DWHT56033/304384187>.

(Oct. 28, 2019) Hart 3.5 lb. StrikeZone Premium Axe with Fiberglass Handle (Home Depot USA); <https://www.homedepot.com/p/HART-3-5-lb-StrikeZone-Premium-Axe-with-Fiberglass-Handle-HHA35LB/204280994>.

(Oct. 28, 2019) Hart 8 lb. PowerStrike Sledge with Fiberglass Handle (Home Depot USA); <https://www.homedepot.com/p/HART-8-lb-PowerStrike-Sledge-with-Fiberglass-Handle-HS8FS/204281039>.

(Oct. 28, 2019) Kobalt 10-lb Steel Head Fiberglass Sledge Hammer (Lowe's USA); <https://www.lowes.com/pd/Kobalt-10-lb-Steel-Head-Fiberglass-Sledge-Hammer/1000377467>.

(Oct. 28, 2019) Stanley FatMax FMHT56011 Sledge Hammer, 30 in OAL, 8 lb Steel Head, Fiberglass Handle (Source Atlantic); <https://www.sourceatlantic.ca/Product/FMHT56011>.

(Mar. 2, 2020) Garant CAN22528FG Canadian Axe With Fiberglass Handle, 2.25 lb Head, 28 in OAL, Fiberglass Handle (Source Atlantic); <https://www.sourceatlantic.ca/Product/CAN22528FG>.

(Mar. 2, 2020) Garant DF0634FG Sledge Hammer, 36 in OAL, 6 lb Tempered Steel Head, Fiberglass Handle (Source Atlantic); <https://www.sourceatlantic.ca/Product/DF0634FG>.

(Mar. 2, 2020) Garant DF0834FG Sledge Hammer, 36 in OAL, 8 lb Tempered Steel Head, Fiberglass Handle (Source Atlantic); <https://www.sourceatlantic.ca/Product/DF0834FG>.

(Mar. 2, 2020) True Temper Toughstrike 3.5 lb. Single Bit Fiberglass Michigan Axe (True Temper website); <https://www.true-temper.com/tool/lawn-garden-tools/20180900-toughstrike-3-5-lb-single-bit-fiberglass-michigan-axe/>.

(Mar. 2, 2020) True Temper Toughstrike 8 lb. Fiberglass Sledge Hammer #20180900 (True Temper website); <https://www.true-temper.com/tool/lawn-garden-tools/20184900-toughstrike-8-lb-fiberglass-sledge-hammer/>.

(Mar. 2, 2020) Yardworks Fiberglass Splitter (Canadian Tire); <https://www.canadiantire.ca/en/pdp/yardworks-fibreglass-splitter-0575146p.html#srp>.

\* cited by examiner

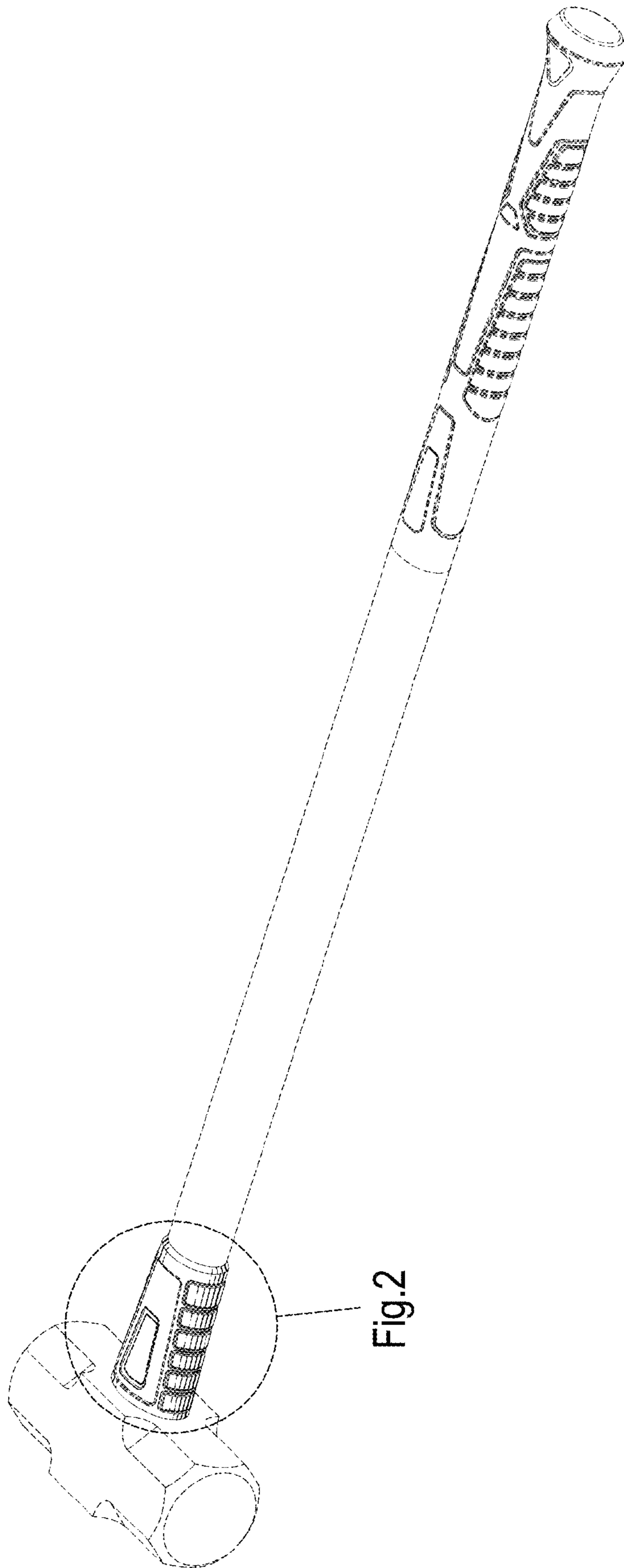


Fig.2

FIG. 1

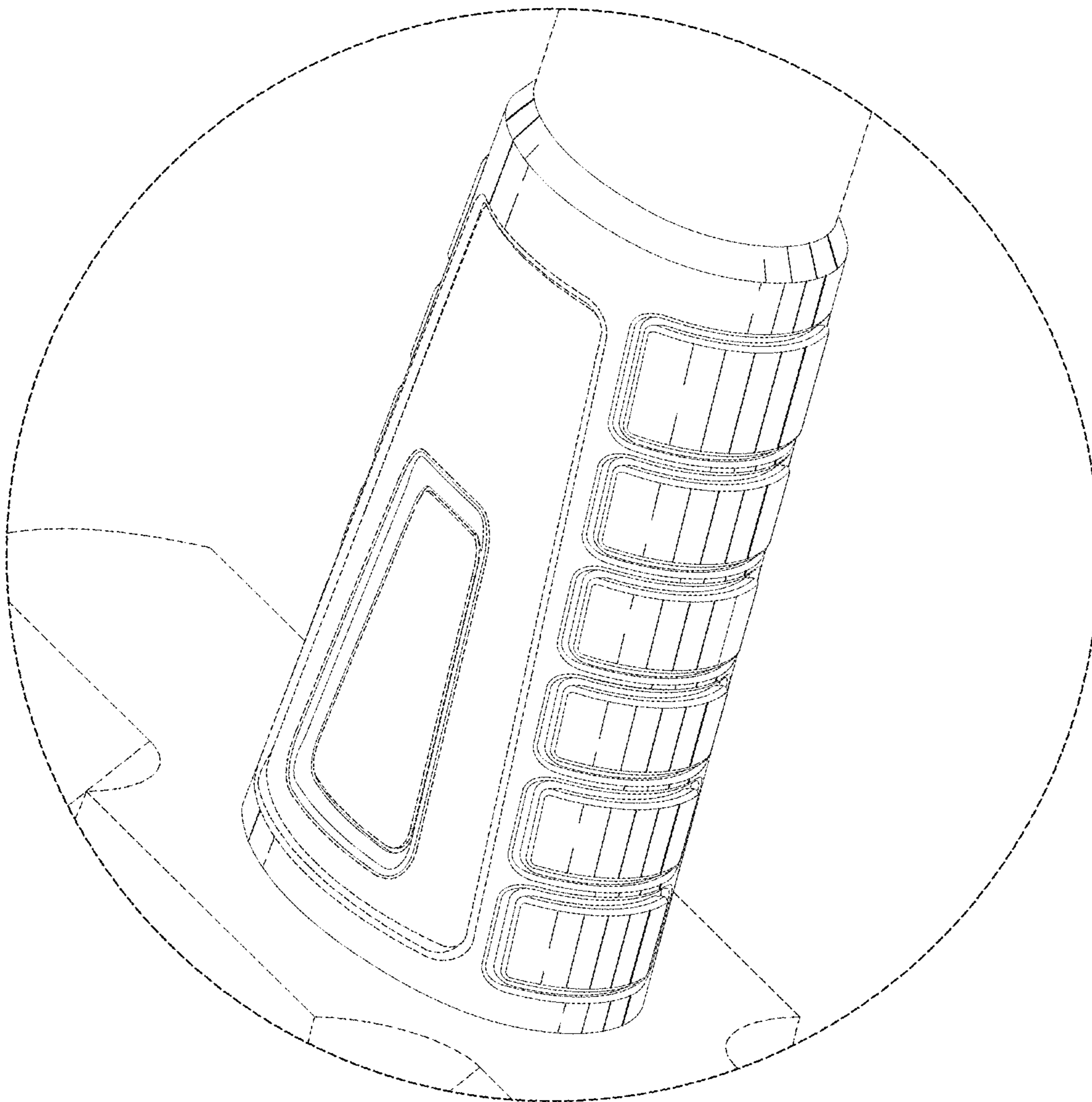


FIG. 2



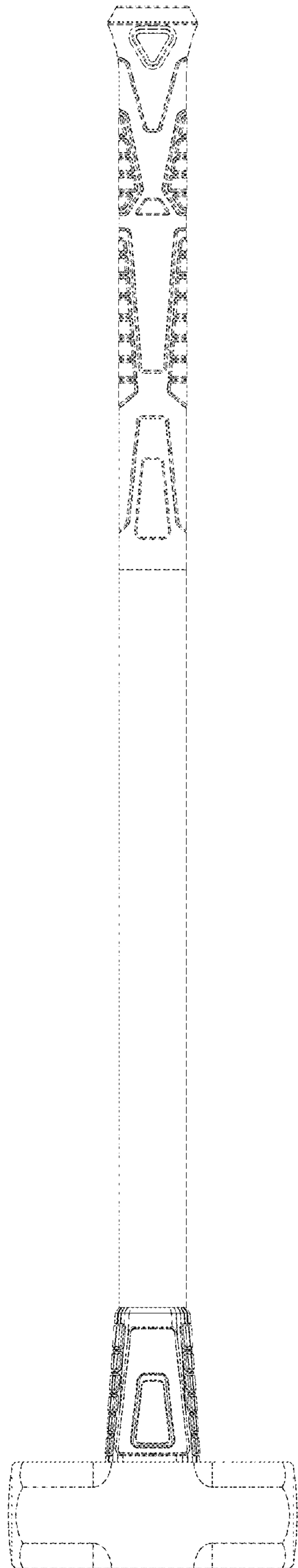


FIG. 3

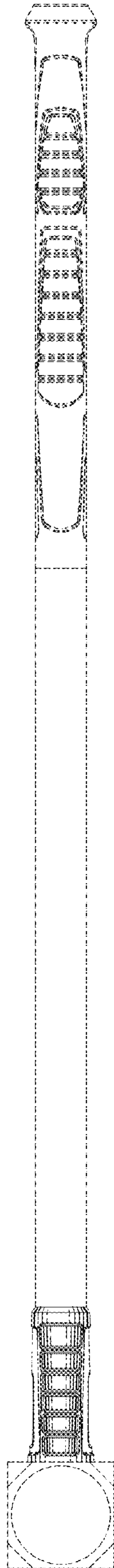


FIG. 4

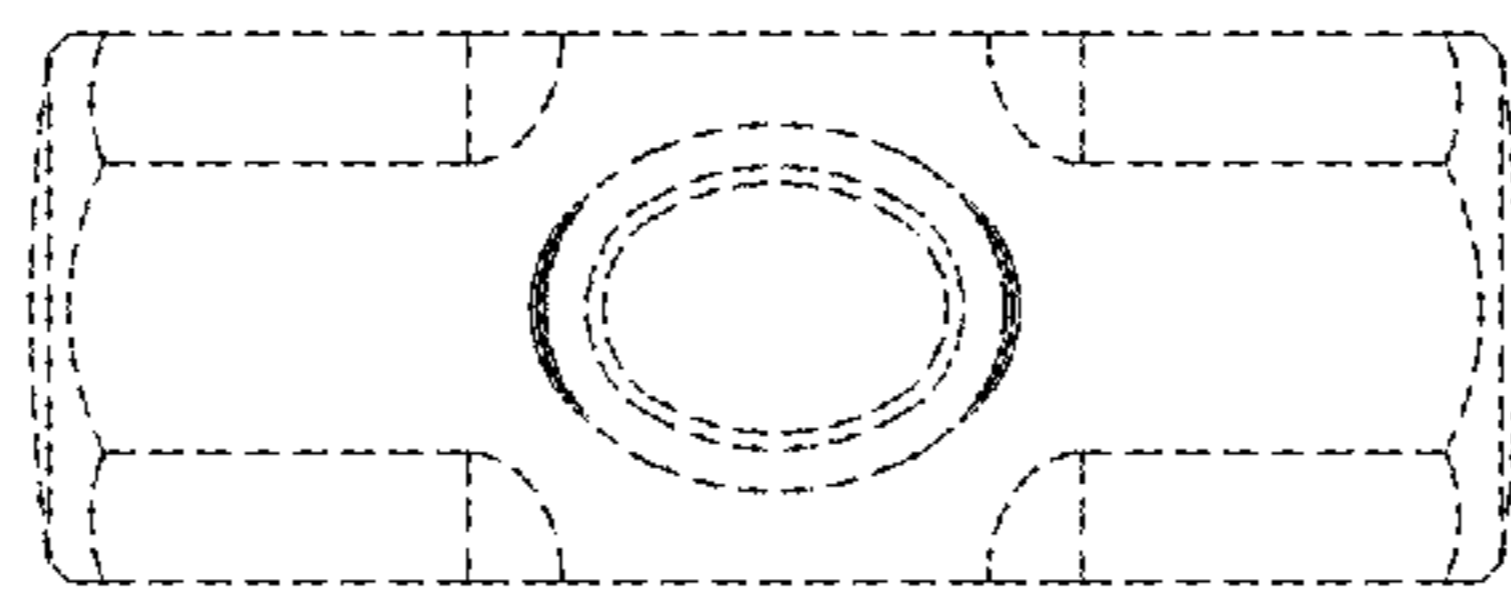


FIG. 5