



US00D934646S

(12) **United States Design Patent** (10) **Patent No.:** **US D934,646 S**
Hutchens (45) **Date of Patent:** **** Nov. 2, 2021**

(54) **HATCHET HANDLE**
(71) Applicant: **Coast Cutlery Co., Portland, OR (US)**
(72) Inventor: **Douglas R. Hutchens, Portland, OR (US)**
(73) Assignee: **Coast Cutlery Co., Portland, OR (US)**
(**) Term: **15 Years**

6,282,740 B1 * 9/2001 Sobotka B25F 1/00
7/143
D529,360 S * 10/2006 Wimmer D8/80
7,665,390 B2 * 2/2010 Hoffman B25G 1/01
81/22
D735,008 S * 7/2015 Cominsky D8/89
D848,557 S * 5/2019 Lim D21/694
2007/0101547 A1 * 5/2007 Egeland B25G 1/102
16/430

(21) Appl. No.: **29/740,966**
(22) Filed: **Jul. 8, 2020**
(51) **LOC (13) Cl.** **08-02**
(52) **U.S. Cl.**
USPC **D8/76; D8/80**
(58) **Field of Classification Search**
USPC ... D8/75, 76, 77, 78, 79, 80, 81, 88, 89, 14,
D8/105, 107, 300
CPC . B26B 23/00; B25F 1/00; B25F 1/006; A01B
1/20; A62B 3/005; B24D 1/00; B25G
1/04; B25G 3/28
See application file for complete search history.

* cited by examiner

Primary Examiner — Philip S Hyder
(74) *Attorney, Agent, or Firm* — Schwabe Williamson & Wyatt, P.C.

(57) **CLAIM**

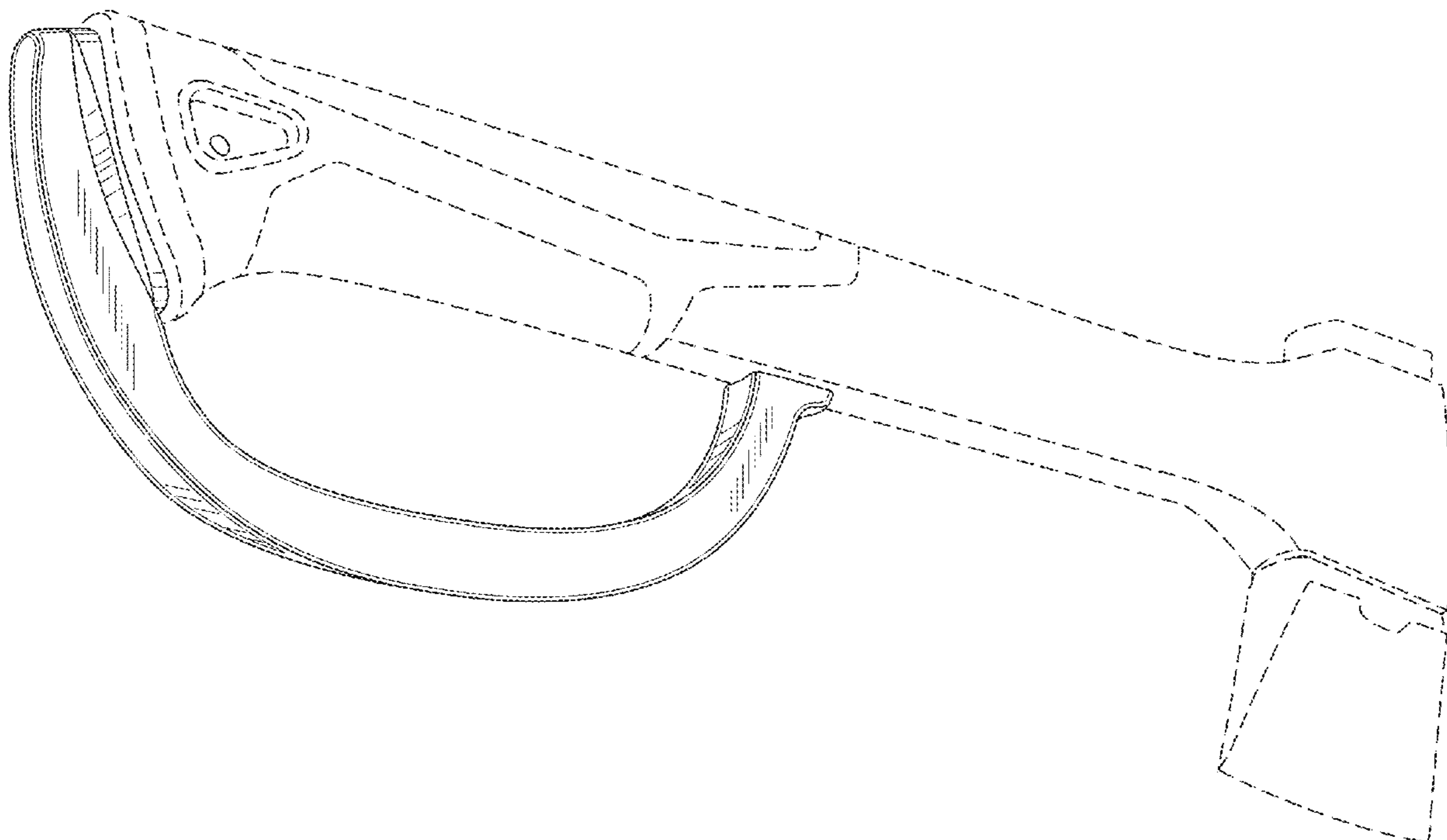
I claim the ornamental design for a hatchet handle, as shown and described.

DESCRIPTION

FIG. 1 is a perspective view of the hatchet handle from a lower rear angle;
FIG. 2 is a perspective view of FIG. 1 from a lower front angle;
FIG. 3 is a side elevation view of FIG. 1;
FIG. 4 is a top view of FIG. 1;
FIG. 5 is a bottom view of FIG. 1;
FIG. 6 is an end view of FIG. 1 from the front; and,
FIG. 7 is an end view of FIG. 1 from the rear.
The broken lines show portions of the article, which form no part of the claimed design.

(56) **References Cited**
U.S. PATENT DOCUMENTS
D393,514 S * 4/1998 Hadley 16/421
6,009,600 A * 1/2000 Egeland B25G 1/102
16/430
D446,705 S * 8/2001 Stinnissen D8/75

1 Claim, 3 Drawing Sheets



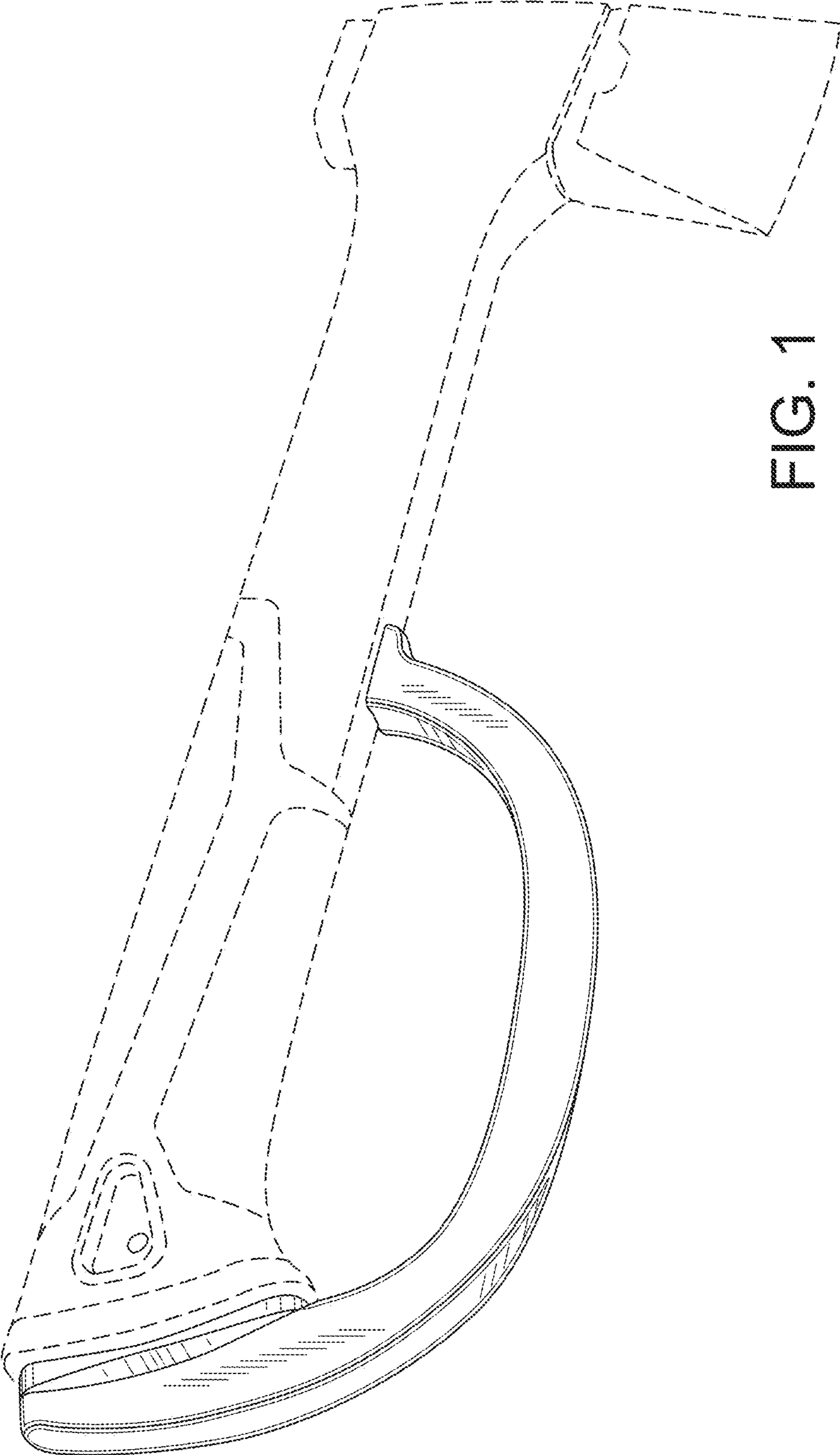


FIG. 1

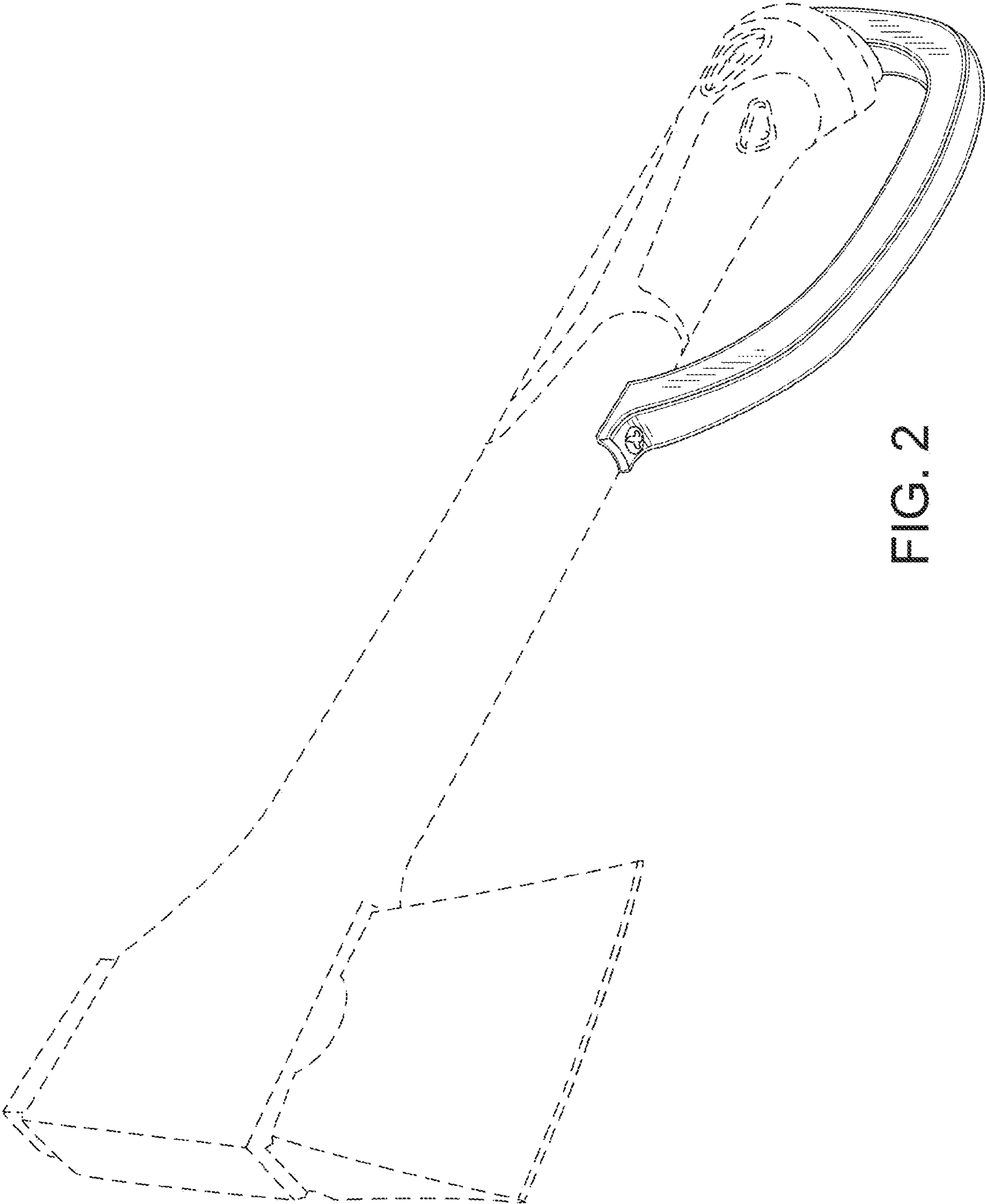


FIG. 2

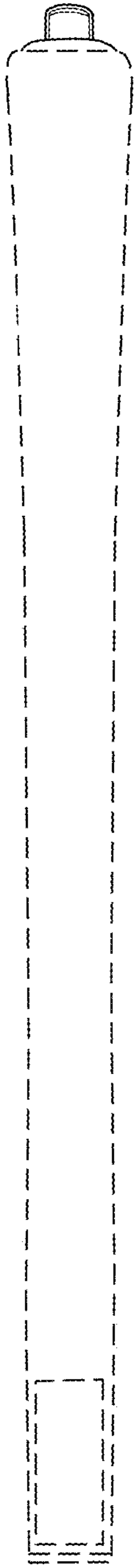


FIG. 4

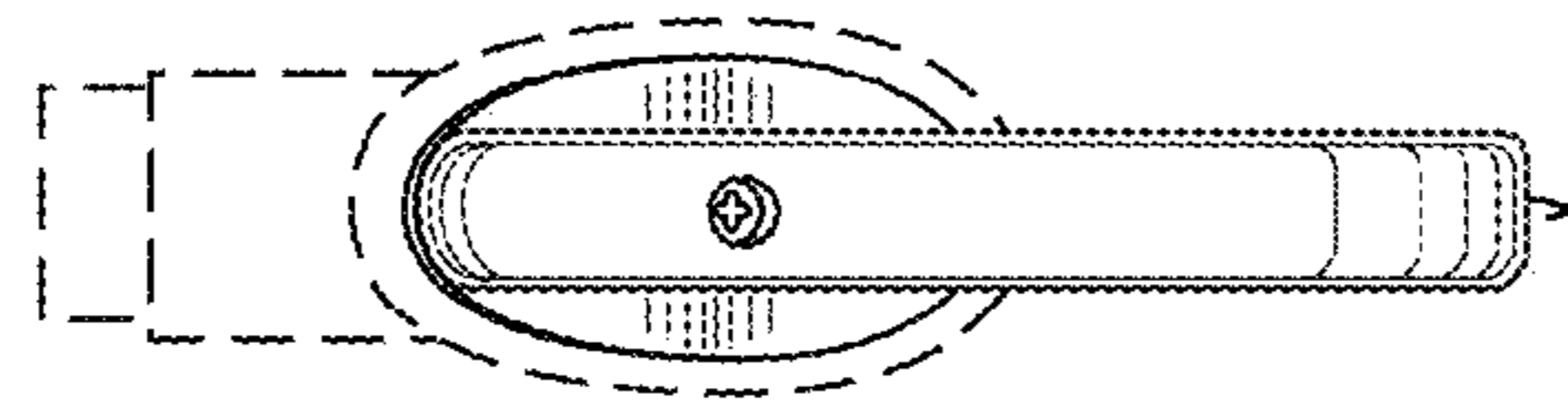


FIG. 7

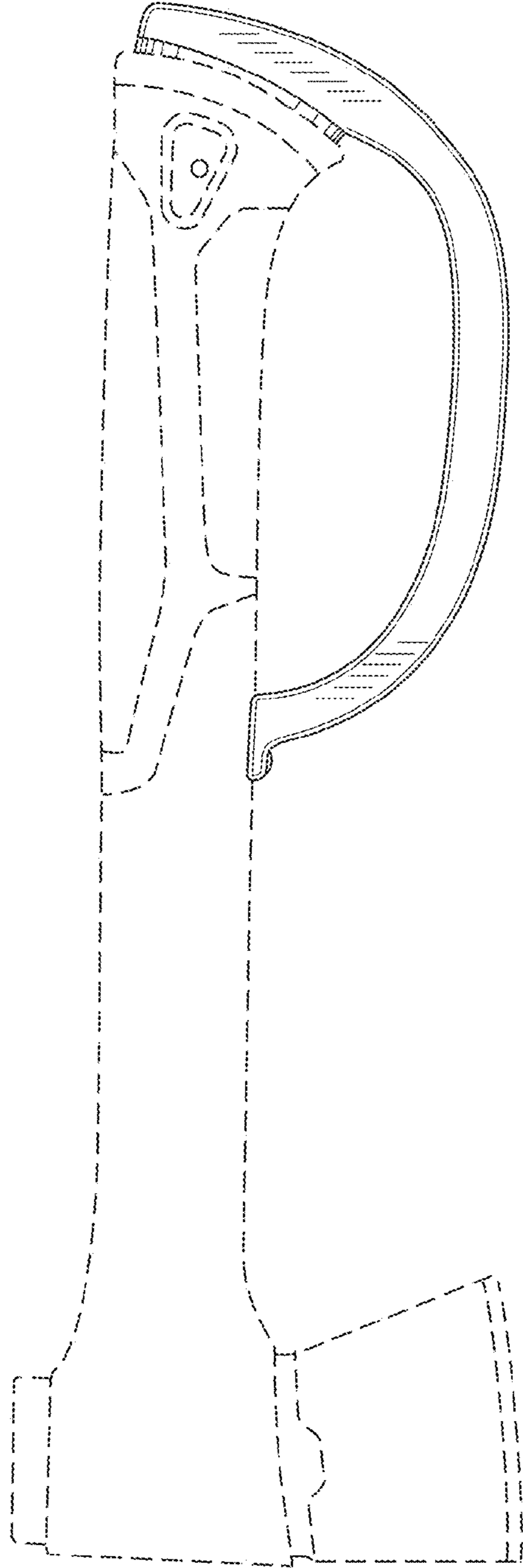


FIG. 3

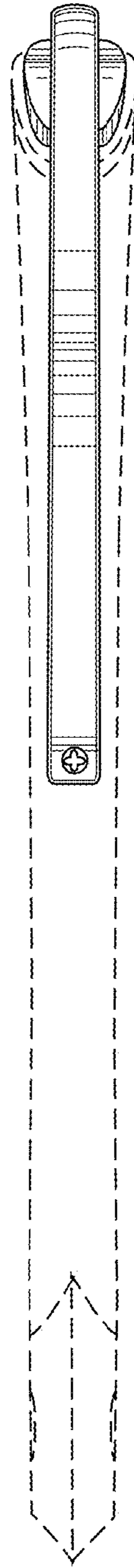


FIG. 5

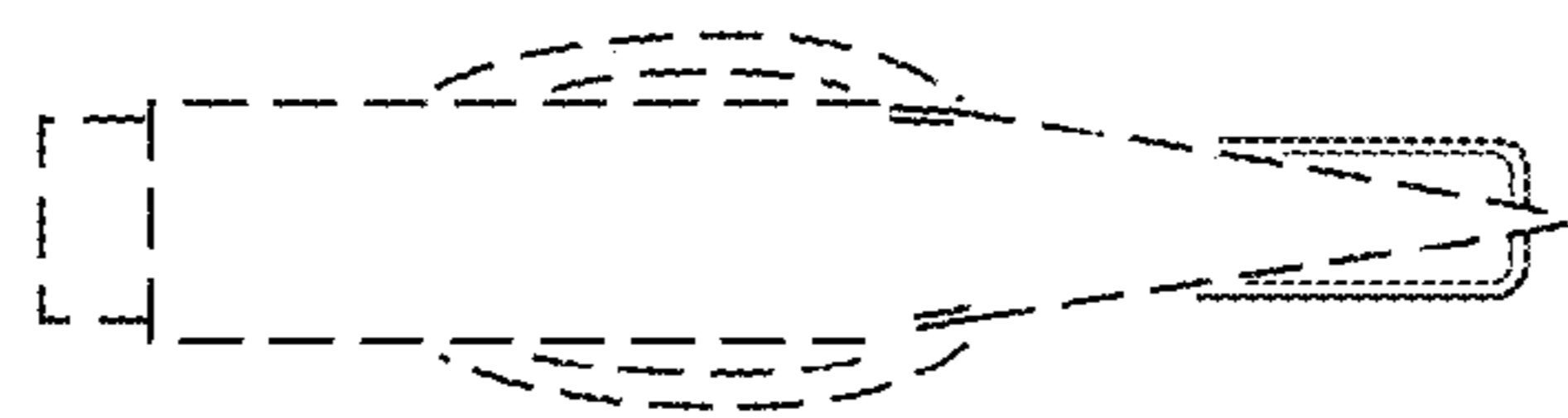


FIG. 6